

8900 TDE/TDEH

Track double egress pull side mount
and backplate (BP89)

Installation instructions

08279351 – 09-2019

| EN |


dormakaba 


Table of contents

1	Technical specifications	3
1.1	Overview	3
1.2	Tools recommended	3
1.3	Handing the door	3
2	Instructions - track mount	4
2.1	Installing backplate and surface closer	4
2.2	Assemble and secure track, arm and slide shoe	4
2.3	Securing main arm to closer	5
3	Adjustments	6
3.1	Adjust closing speeds: sweep, latch, backcheck, delayed action	6
3.2	Adjust hold open (optional)	6
3.3	Adjust spring force	7
4	Install covers	7


1 Technical specifications


1.1 Overview


 Caution: sex nuts are required for attachment of components to unreinforced doors and to wood or plastic faced composite type fire doors, unless an alternative method is identified in the individual door manufacturer’s listings.


 Maximum door opening degree is 125°.

 Arrow on backplate points upward.

 Maximum hold open is 125° with optional hold open kit.

 Know the swing of the door which is being installed prior to installation.

 Verify closer spring size prior to installation.

 Make sure door efficiently operates prior to installing closer.

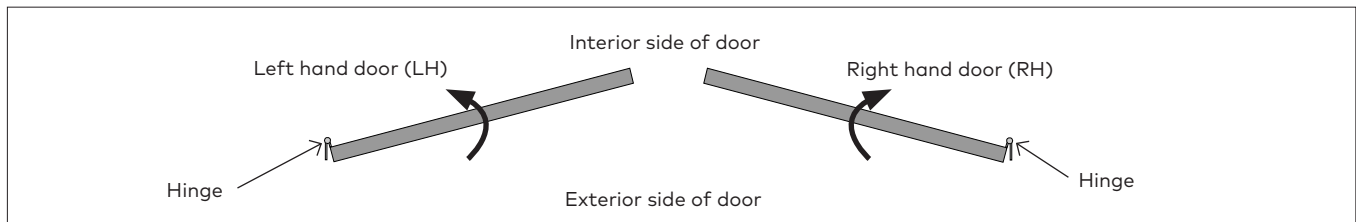
1.2 Tools recommended

Table 1

Drill bits:	#3 Phillips screwdriver
Metal: 7/32" drill bit; 1/4-20 tap	3/16" flat head screwdriver
Wood: 3/8" and 5/32" bit	5mm hex key
1/2" box wrench	

1.3 Handing the door

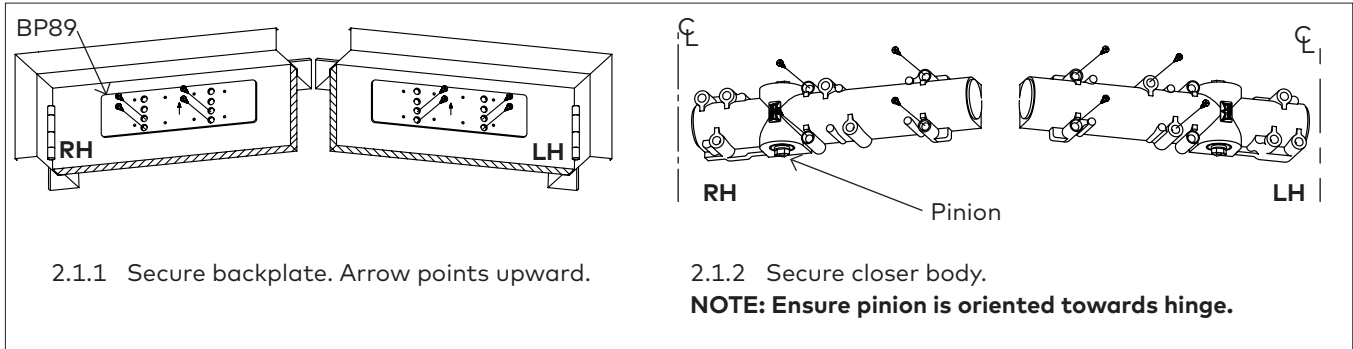
Fig.1



2 Instructions - track mount

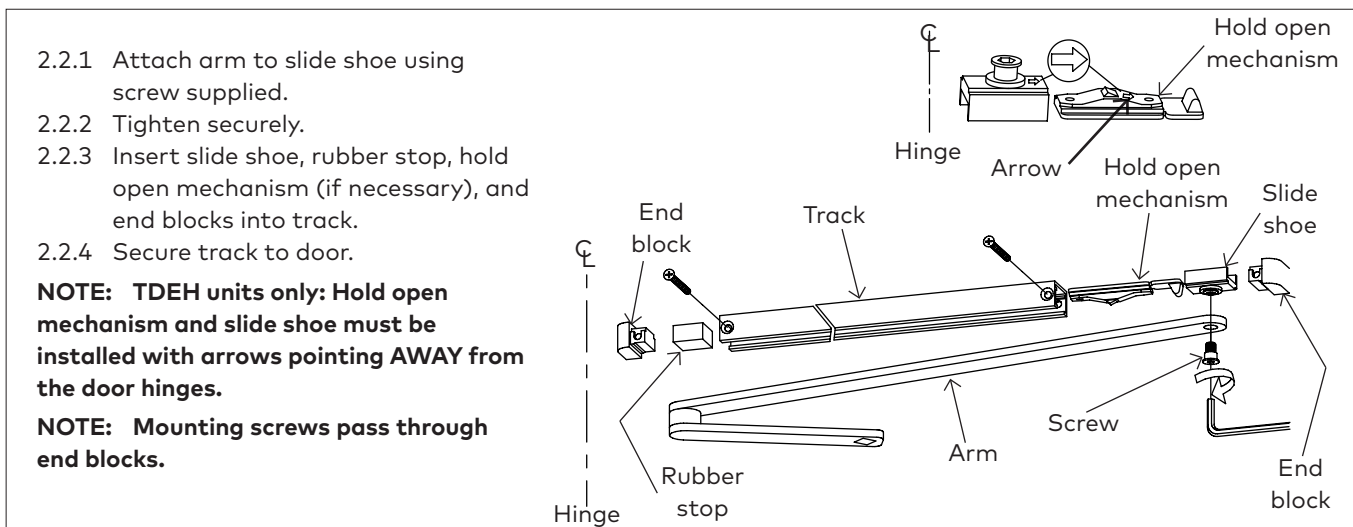
2.1 Installing backplate and surface closer

Fig.2



2.2 Assemble and secure track, arm and slide shoe

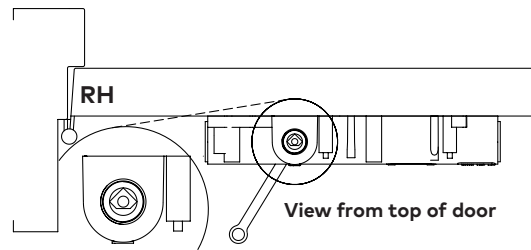
Fig.3



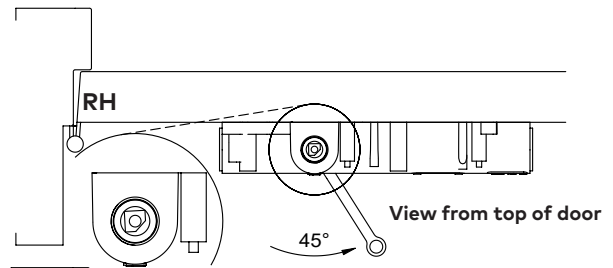
2.3 Securing main arm to closer

Fig.4

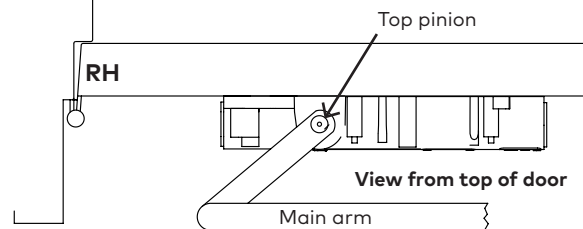
2.3.1 Preload arm by placing wrench on bottom pinion.



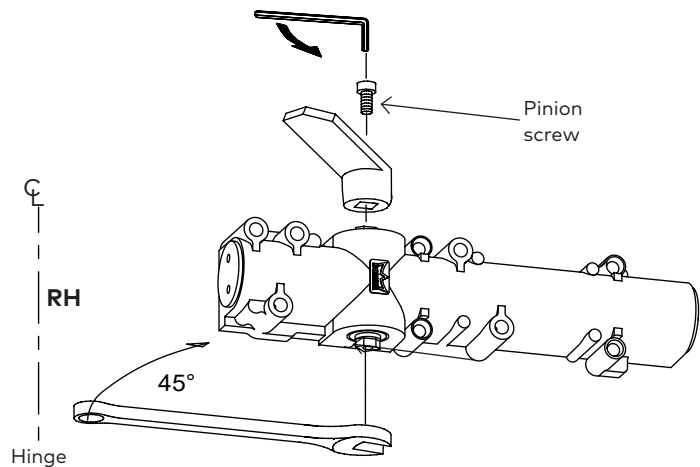
2.3.2 Rotate wrench 45° AWAY FROM hinge edge of door.





2.3.3 With main arm parallel to door, place main arm onto top pinion.






2.3.4 Secure arm to closer with pinion screw.



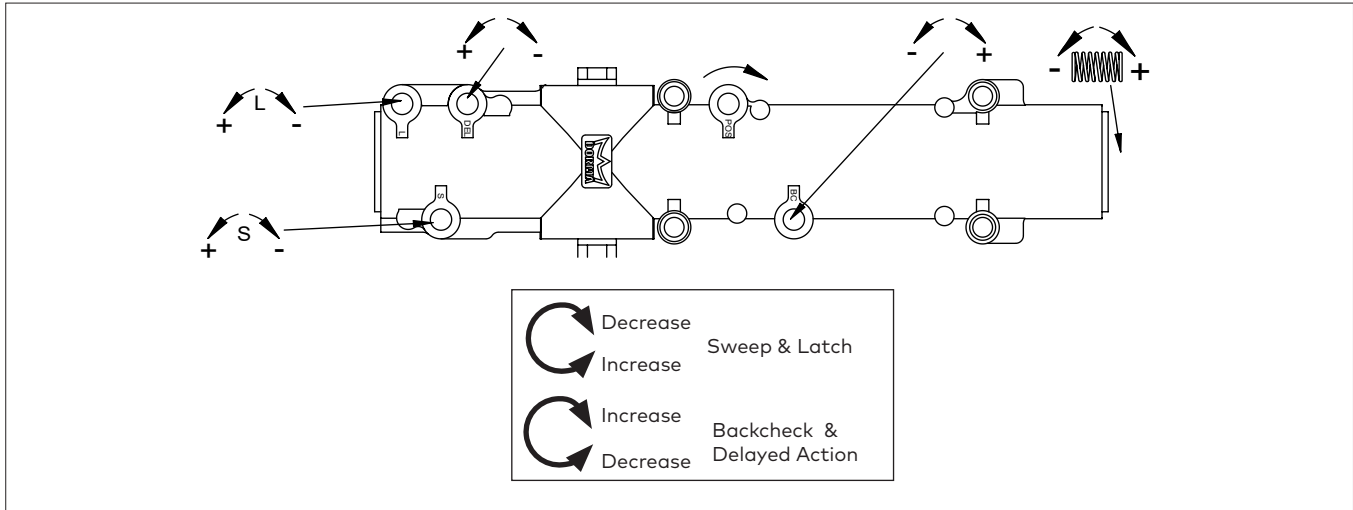
3 Adjustments

-  Confirm closer spring size prior to making any closing speed adjustments.
-  Do not back valve heads out beyond closer casting.

-  Maximum opening angle is 125°.
-  Door should close in 3 to 6 seconds from 90°.
-  Do not close valves completely.

3.1 Adjust closing speeds: sweep, latch, backcheck, delayed action

Fig.5

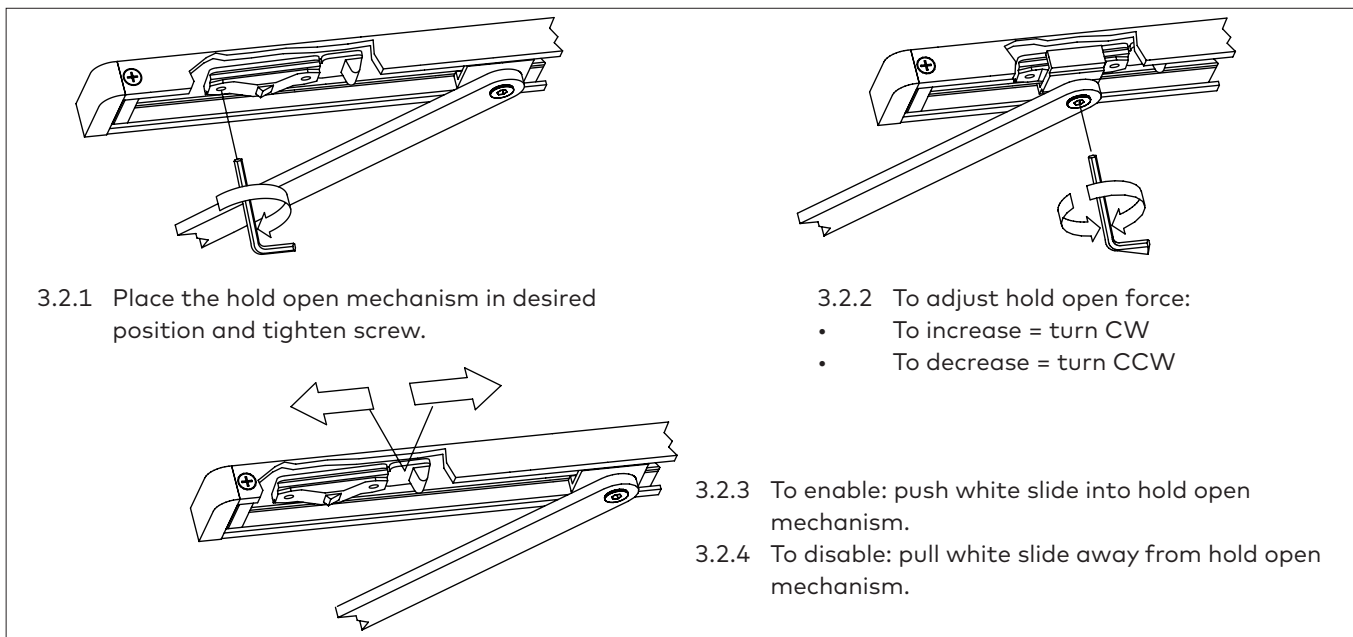


- 3.1.1 Adjust **closing sweep speed**: 90° to start of latch speed.
- Increase sweep speed: Turn valve counter-clockwise
 - Decrease sweep speed: Turn valve clockwise.
- 3.1.2 Adjust **closing latch speed**: 15° to close.
- Increase latch speed: Turn valve counter-clockwise

- 3.1.3 Adjust **opening backcheck**: beginning at 80° to 125°.
- Increase resistance: Turn valve clockwise
 - Decrease resistance: Turn valve counter-clockwise.
- 3.1.4 Adjust **closing delayed action**: angle 125° to 65°.
- Increase delayed action: Turn valve clockwise
 - Decrease delayed action: Turn valve counter-clockwise

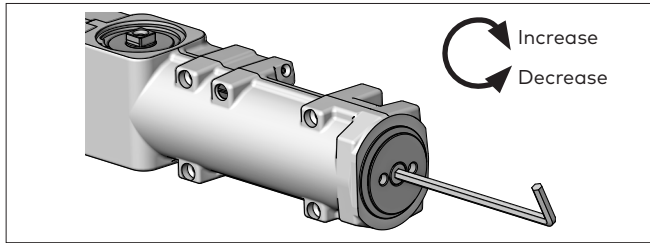
3.2 Adjust hold open (optional)

Fig.6



3.3 Adjust spring force

Fig.7



8916 - supplied with a size 4
8956 - supplied with a size 6

8916 ONLY - Barrier free openings: Take an opening force reading from the pull on the door. If required, adjust the spring force to meet the barrier-free requirement.

- **Decrease force:** turn counter-clockwise; 8 turns max.
- **Increase force:** turn clockwise; 14 turns max.

Depending on opening conditions, a door adjusted to meet barrier-free forces may not have sufficient power to reliably close and latch the door.

Track mount				
	Closer size	Max door weight (lbs)	Door width	Full turns
			Interior	
8916	4	125	2'6"	0
	5	150	3'	+4
	6	200	3'6"	+12
8956	6	200	3'6"	0
	6+	250	4'	+6

4 Install covers

Fig.8

4.1.1 Place tab in cover slot, opposite main arm.

4.1.2 Place cover over closer and fasten securely with screws provided.

