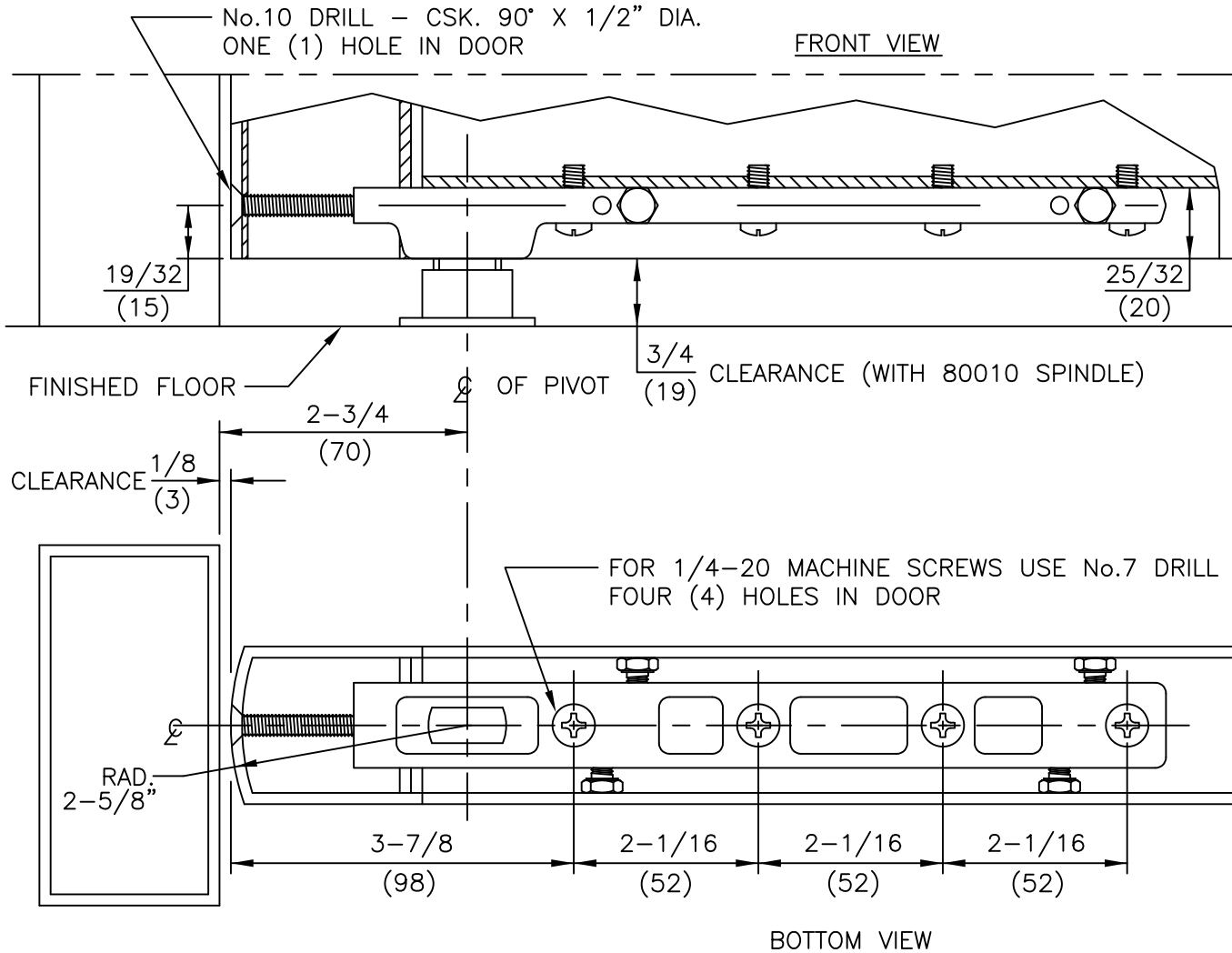


NOTES

1. DO NOT SCALE DRAWING.
2. DIMENSIONS ARE IN INCHES/(mm).
3. TOP OF CEMENT CASE MUST BE FLUSH WITH FINISH FLOOR LINE.
4. CEMENT CASE MUST BE LEVEL AND PARALLEL TO FRAME.
5. INSTALL CEMENT CASE WITH CLOSER CENTERED IN CASE.
6. CHART VALID ONLY WHEN CORRESPONDING DOOR PORTION IS INSTALLED PER TEMPLATE.

PKG (A,B)	CLEARANCE	PKG (G,H)
SPINDLE NO.		SPINDLE NO.
74003	5/16"	80003
74005	1/2"	80005
74007	5/8"	----
(STD.)74010	3/4"	80010
74012	13/16"	----
74015	7/8"	80015
74020	1-1/8"	80020
74025	1-5/16"	80025
74030	1-1/2"	80030
74035	1-11/16"	----
74040	1-7/8"	----
74045	2-1/16"	----
74050	2-5/16"	----



NOTES

1. DO NOT SCALE DRAWING.
2. DIMENSIONS ARE IN INCHES/(MM).
3. ALL NECESSARY REINFORCEMENT FOR ARM BY OTHERS.

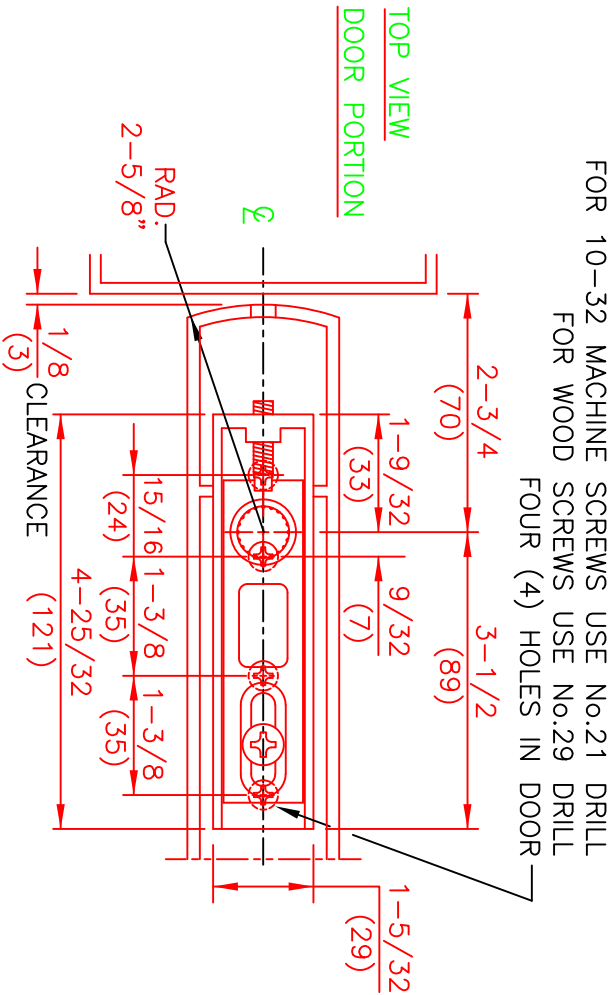
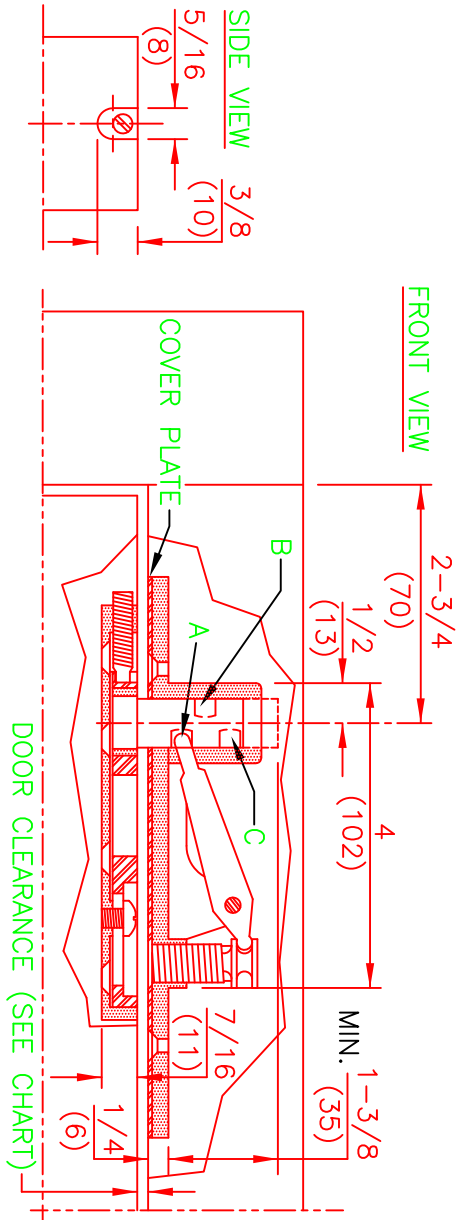
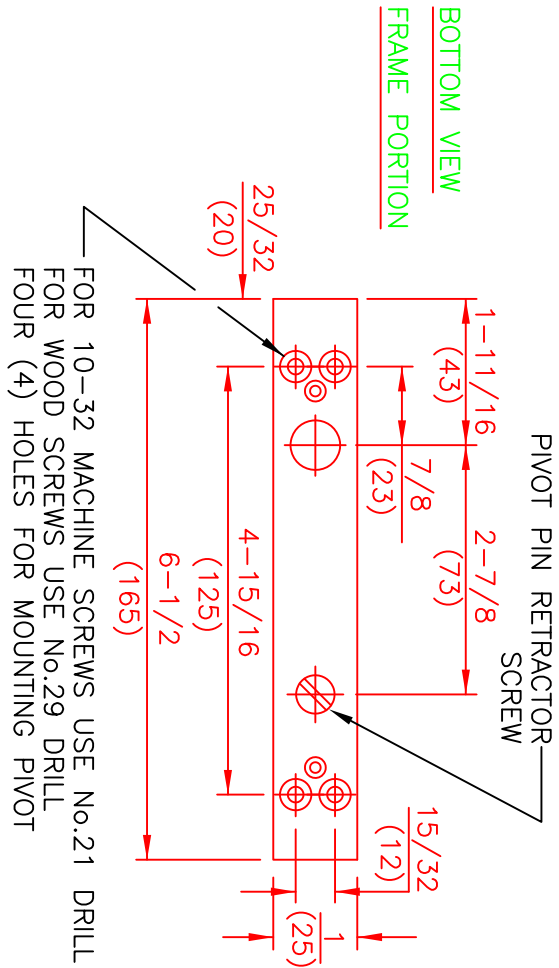
ITEM NO. 7422  
 CENTER HUNG BOTTOM ARM  
 FOR USE WITH BTS 75, BTS 80, BTS 80EMB



dormakaba USA, INC.  
 800 523 8483

- NOTES**
1. DO NOT SCALE DRAWING.
  2. DIMENSIONS ARE IN INCHES/(MM).
  3. ALL NECESSARY REINFORCING FOR PIVOTS BY OTHERS.
  4. PIVOT PIN DIAMETER .591/(15MM).
  5. PIVOT PIN PROJECTION IS ADJUSTABLE. SEE CHART FOR DOOR CLEARANCES.

		DOOR CLEARANCE	
POSITION	STANDARD PIN	EXTENDED PIN	
A	1/8"(3)	3/4"(19)	
B	3/8"(10)	1"(25)	
C	3/4"(19)	1-5/16"(33)	



MODEL NO. 8062, 8062 EXT PIN  
CENTER HUNG TOP PIVOT  
FOR USE WITH BTS 75, BTS 80, BTS 80EMB