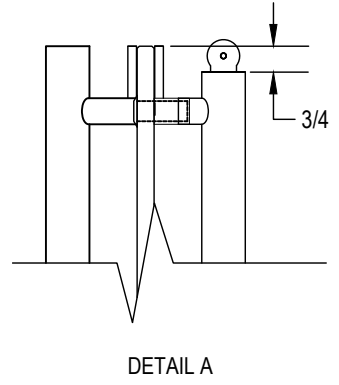
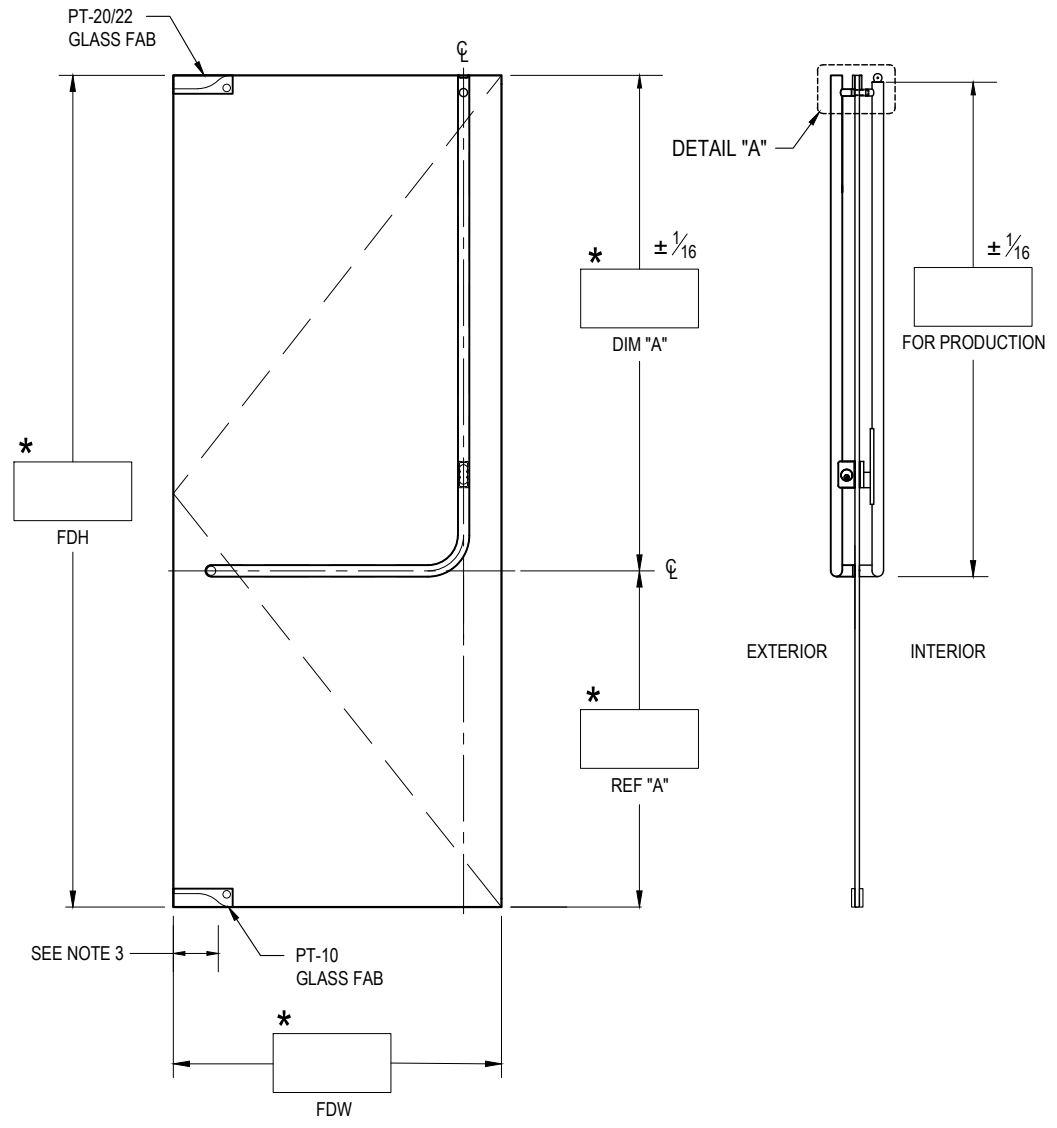


HOUSING: **DG1000D EXIT PART #** _____
 HANDING: **SWING #4 SHOWN/LHR EXTERIOR VIEW** _____
 TOP HARDWARE: **PT20** **PT22** _____
 BOTTOM HARDWARE: **PT10** _____
 FINISH: _____
 GLASS THICKNESS: 1/2" 3/4" QTY. OF DOORS: _____
 NOTES: _____

STRIKE OPTION:
 FLOOR MOUNTED
 THRESHOLD MOUNTED
 THRESHOLD WIDTH _____



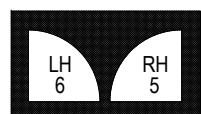
FDH = FINISHED DOOR HEIGHT
 FDW = FINISHED DOOR WIDTH
 GH = GLASS HEIGHT
 GW = GLASS WIDTH

EXTERIOR ELEVATION
 SCALE: 5/8" = 1'-0"

SECTION
 SCALE: 5/8" = 1'-0"

NOTES:

1. (*) DIMENSIONS PROVIDED BY CUSTOMER.
2. ALL DIMENSIONS ARE IN INCHES.
3. NOTE PIVOT REFERENCE DIMENSIONS:
 - 2-3/4" FROM SIDELITE & FRAME
 - 3-1/2" FROM WALL.



EXTERIOR



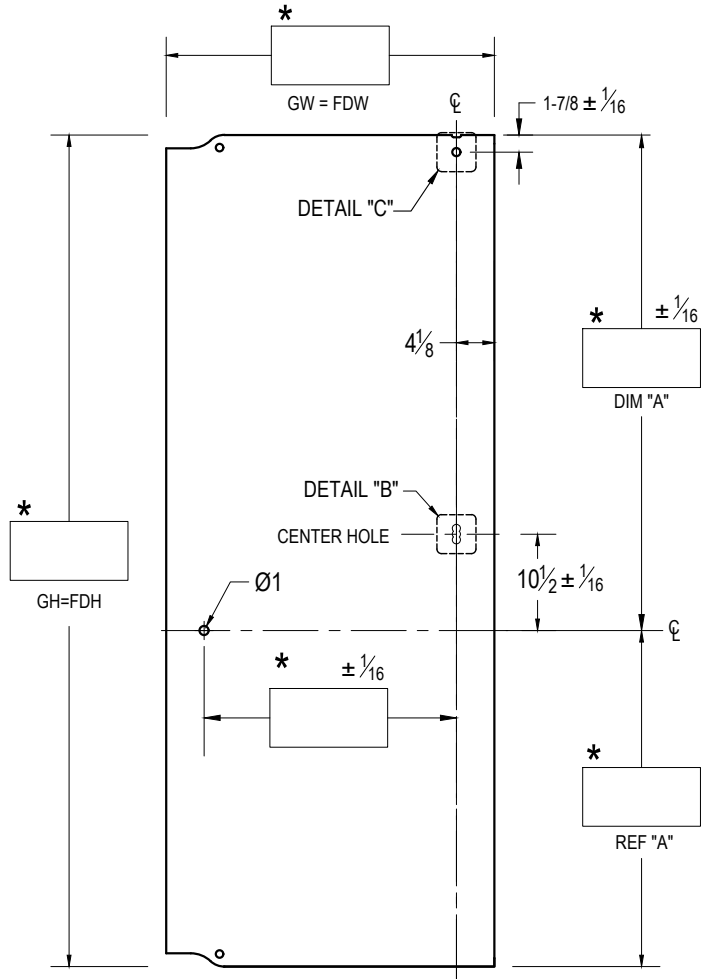
EXTERIOR

CUSTOMER NAME: _____
 CUSTOMER APPROVAL: _____
 P.O. # _____
 DOOR MARK: _____
 SALES ORDER # _____
 GLASS THICKNESS: _____
 DATE: _____

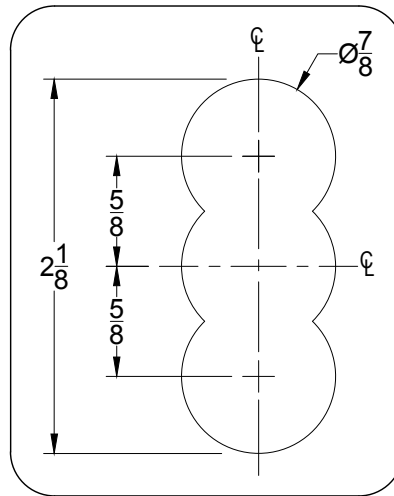
dormakaba 
 DORMA USA, Dorma Drive, Reamstown, PA 17567-0411 PH: 800-523-8483

DRAWING TITLE: **DG1000P-D-A**

GLASS DETAILS

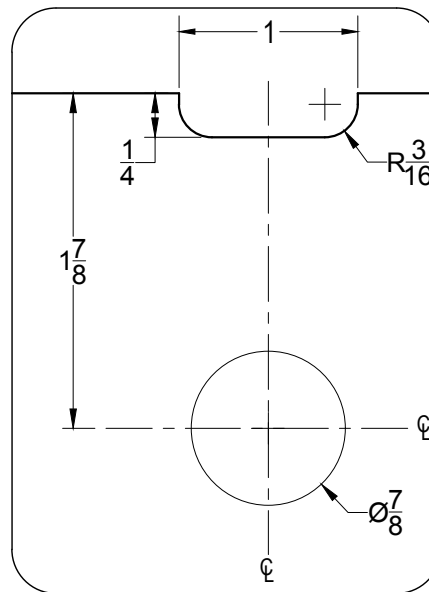


EXTERIOR ELEVATION
SCALE: 5/8" = 1'-0"



DETAIL "B"

SCALE: 1:1



DETAIL "C"

SCALE: 1:1

FDH = FINISHED DOOR HEIGHT
FDW = FINISHED DOOR WIDTH
GH = GLASS HEIGHT
GW = GLASS WIDTH

CUSTOMER NAME:

CUSTOMER APPROVAL:

P.O. #

DOOR MARK:

SALES ORDER #

GLASS THICKNESS:

DATE:

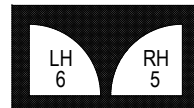
dormakaba

DORMA USA, Dorma Drive, Reamstown, PA 17567-0411 PH: 800-523-8483

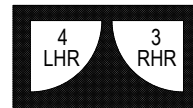
DRAWING TITLE: **DG1000P-D-A**

NOTES:

- (*) DIMENSIONS PROVIDED BY CUSTOMER.
- ALL DIMENSIONS ARE IN INCHES.
- ALL HOLE SIZES AND LOCATIONS MUST BE HELD TO +/- 1/16"
- DO NOT CHAMFER EDGES OF HOLES.



EXTERIOR



EXTERIOR