

Alarm Box

Installation Guide

Introduction

The LA GARD Alarm Box is a hard-wired external alarm device to be used in concert with LA GARD safe locks.

Mount the Alarm Box

Mount the Alarm Box to the interior safe wall via the holes and screws provided.


Connect the Alarm Box

For multi-lock configurations, the silent alarm works only with the primary lock (the lock connected to Position 1 on the Multiplexer). This guide outlines connections to primary locks only.

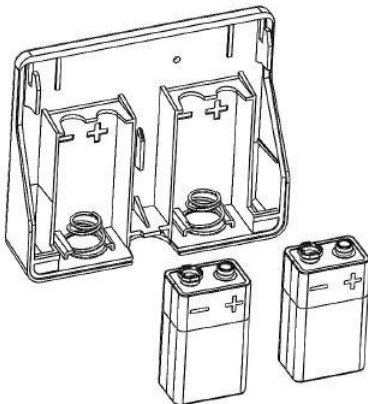
Follow these steps to connect an Alarm Box to a LA GARD safe lock:

1. Disconnect the safe lock from the power supply.
2. Connect the Alarm Box lock connector to the safe lock BAT port with the 41040-2 cable.
3. Connect the alarm/control system to the Alarm Box via the terminal block. Based on the terminals used, the alarm relay can be configured to Normally Open (COM and NO) or Normally Closed (COM and NC).
4. Optional: Connect the Remote Disable signal from the alarm/control system to EXT+ and EXT- via the terminal block.
5. Optional: Connect AC Adapter to 9V DC connector.
6. Reconnect the safe lock to the system.
7. The default setting within the lock for silent alarms is set to OFF. Consult the System User Guide (Document #7040.0320) for further instructions on how to change silent alarm and remote disable settings.

Battery Replacement

 Ensure batteries are new and in good condition; leaking batteries can cause damage to components and can also cause serious bodily harm.

Batteries must be replaced a minimum of once per year; refer to the diagram below.



Connection Diagram

Lock Connector: Connect to BAT port on lock with 41040-2 cable.

9V DC Connector: Optional connection to 701107 AC Power Supply Kit.

Terminal Block: Connection to alarm/control panel.

1. EXT- (Control Signal Reference Voltage or Ground)
2. EX+ (+5V DC Min. to +12V DC Max. Control Signal)
3. NO (Normally Open)
4. COM (Common)
5. NC (Normally Closed)



Specifications

Relay

50V DC @ 250 mA Max Switched Load

Relay switches for 1 second

Remote Input

5 – 12V DC @ 20 mA Max input

Battery

2 x 9V DC alkaline batteries (Eveready™ or Duracell™ strongly preferred)

Cables

1 x 41040-2 18" Cable

Environmental

Operating & Storage Temperature Range: For UL compliance, this product was verified for operation at 32 – 122 °F (0 – 50 °C)

Relative Humidity Range: 0 – 95% non-condensing

Note: The Alarm Box is not UL-evaluated for UL 2058.