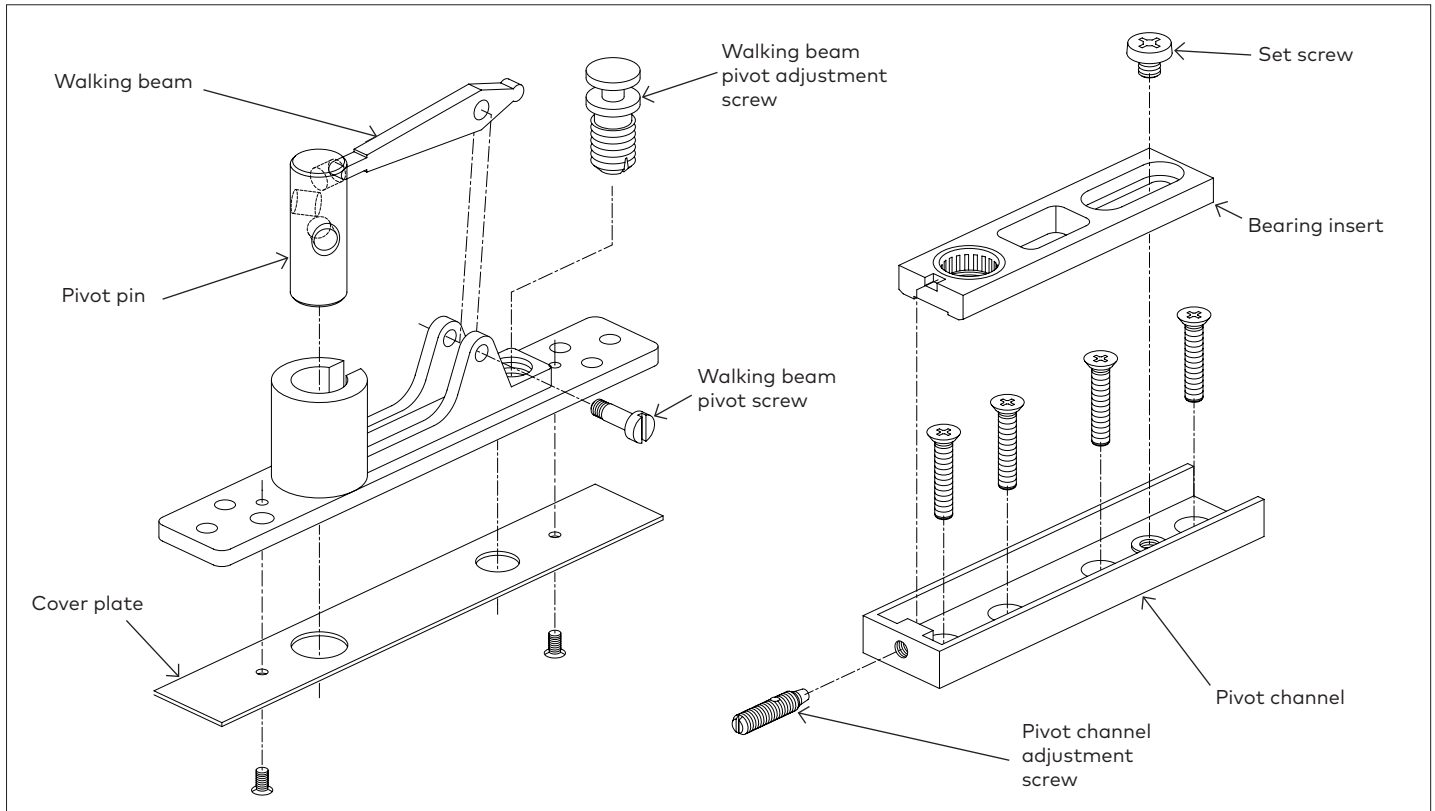


Installation Instructions

Center Hung Top Pivot For use with 8062, 8062 Ext Pin

1.1 Install pivot

Fig. 1



- 1.1.1 Determine the clearance between the door and header and adjust the projection of the pivot pin, if required.
 - The pivot pin projection allows 1/8" [3] clearance as shipped from the factory.
- 1.1.2 To change the projection of pivot pin or to install the (8062 Ext Pin) extended pivot pin, the following procedure is recommended:
 - 1.1.3 Remove the walking beam pivot screw.
 - 1.1.4 Push the pivot pin out until the walking beam is disengaged.
 - 1.1.5 Install extended pivot pin and engage walking beam into appropriate hole in pivot pin to obtain required projection.
 - 1.1.6 Be sure opposite end of walking beam is engaged in walking beam pivot adjustment screw.
 - 1.1.7 Reinstall walking beam pivot screw.
 - 1.1.8 Retract pivot pin and install pivot into header.
 - 1.1.9 Install cover plate.
 - 1.1.10 Fasten pivot channel in top of door.
 - 1.1.11 Turn pivot channel adjustment screw approximately halfway into pivot channel.
 - 1.1.12 Place bearing insert into pivot channel.
 - 1.1.13 Adjust pivot point accordingly.
 - 1.1.14 Lock bearing insert in place with set screw.
 - 1.1.15 Install door and engage pivot pin by turning walking beam pivot adjustment screw clockwise.

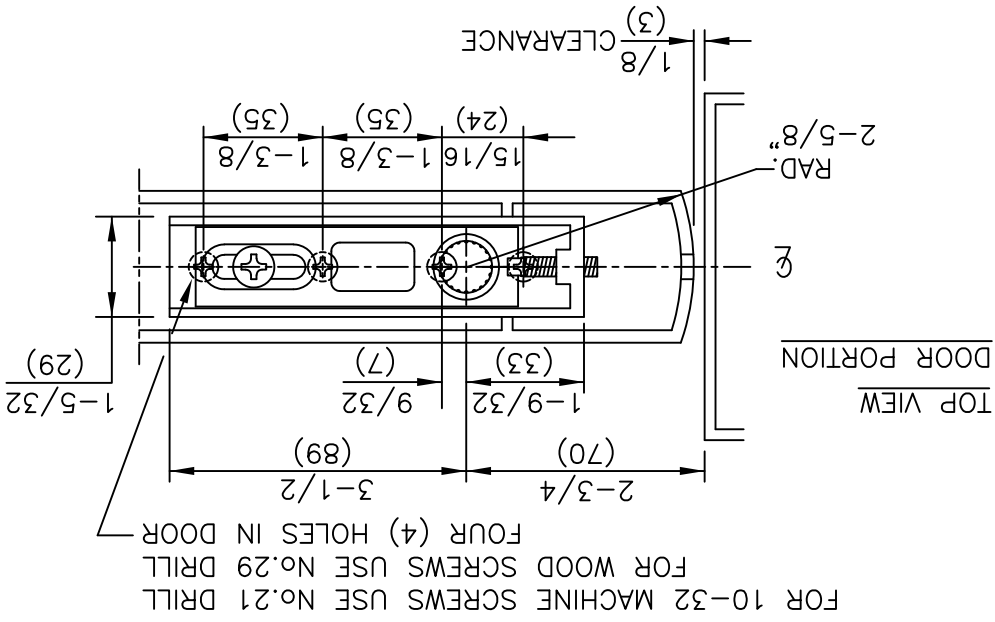
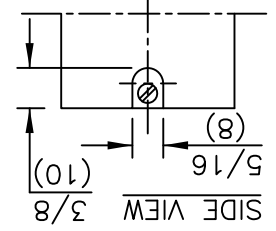
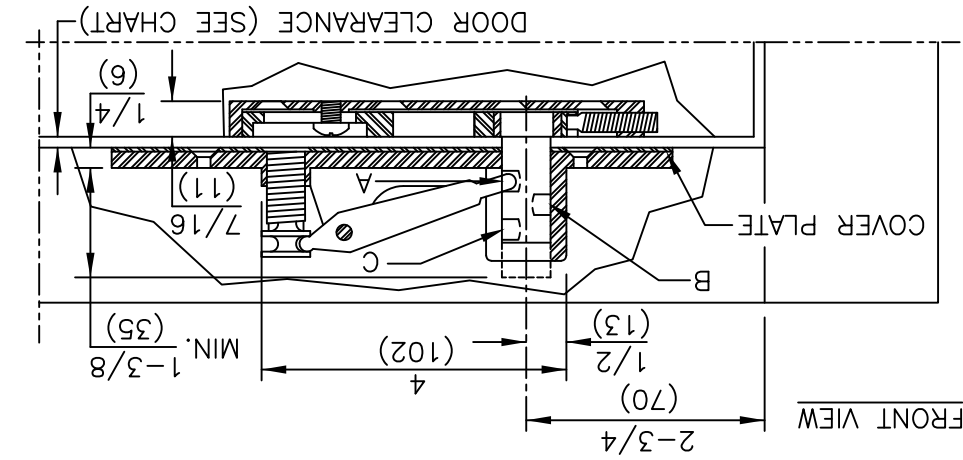
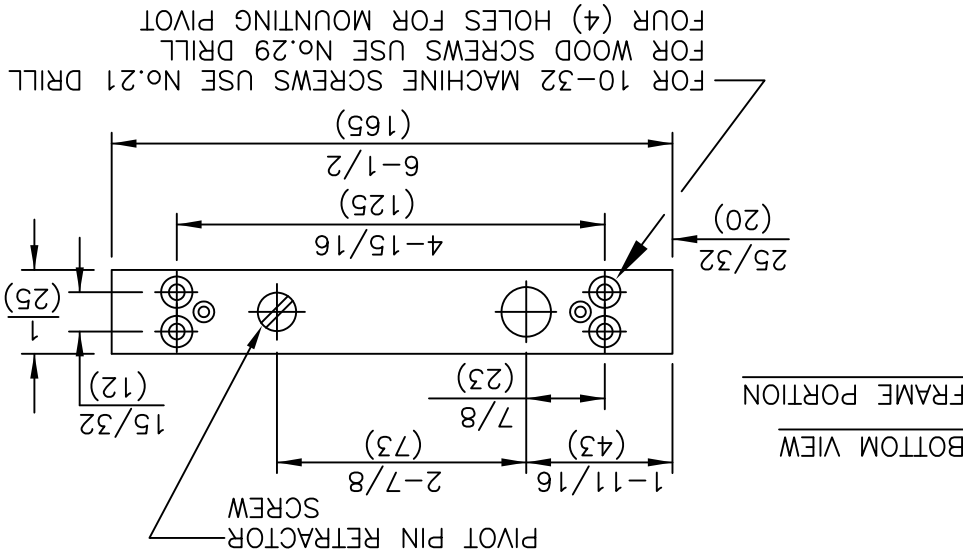
NOTES

1. DO NOT SCALE DRAWING.
2. DIMENSIONS ARE IN INCHES/(MM).
3. ALL NECESSARY REINFORCING FOR PIVOTS BY OTHERS.
4. PIVOT PIN DIAMETER .591/(15MM).
5. PIVOT PIN PROJECTION IS ADJUSTABLE.

SEE CHART FOR DOOR CLEARANCES.

POSITION	STANDARD	EXTENDED	PIVOT PIN
A	1/8"(3)	3/4"(19)	
B	3/8"(10)	1"(25)	
C	3/4"(19)	1-5/16"(33)	

DOOR CLEARANCE



MODEL No. 8062, 8062 EXT PIN
 CENTER HUNG TOP PIVOT



dormakaba USA, INC.
 800 523 8483