



Features

Access Control: Electronic pushbutton lock — eliminates problems and costs associated with issuing, controlling, and collecting keys, and cards. Provides exterior access by PIN code, while allowing free egress.

No Wires

Requires no wiring to or through the door — eliminates risk of damage from pinched wires that can result in costly callbacks.

Locking Device Options

- Cylindrical: Cylindrical latch with 3-hour UL/ULC fire rating
- Exit Device: Compatible with most leading brands of Exit Devices; See list under "Exit Device Compatibility" (Exit Device and Mounting Hardware not included)
- American Standard Mortise: With 1 ¼" (32 mm) face plate; with and without deadbolt, auto dead bolt also available

Number of Codes

Multiple Users—100 Codes

Audit Trail

The most recent 1,000 lock events are recorded in memory, including use of the mechanical key override. Software is required to view audit events.

Programming

Locks are programmed via keypad or with optional Microsoft[®] Excel[®]-based software — simplifies management of doors and users as facility's number of users and access points grow.

Handing

Non-handed; pre-assembled for left-hand door installations — easily changed in the field.

Operation Modes

- PIN access
- Passage — can be toggled on/off or can be pre-programmed to re-lock after a certain number of hours
- Lockout

E-Plex 2000 added benefits

The E-Plex 2000 Series provides exterior access by combination, while allowing free egress. This electronic pushbutton lock eliminates problems and costs associated with issuing, controlling, and collecting keys and cards. It also has up to 100 access codes and is programmed via the keypad or with optional Microsoft Excel-based software. E-Plex E2000 locks are powered by 3 AA batteries that load into a slide-up battery tray in the outside housing, which eliminates wires through the door and allows for continuous operation up to 100,000 cycles.

Features continued

Authority Levels

Five different levels allow who has access to specific lock functions, including:

- Master Level — performs all set-up and programming functions
- Manager Level — administers common programming functions
- Access User Level — entry granted with valid PIN
- Service Level — codes for single event or single day access, programmable in advance
- Maintenance Level — no access is granted, information can be uploaded/downloaded to/from the lock

User Parameters

- Code length — Adjustable to accept 4 to 8 digits
- Anti-tamper lockout — Adjustable from 3 to 9 invalid attempts with an adjustable period of 0 to 90 seconds
- Relock time — Adjustable from 2 to 20 seconds

Lock Power

- Batteries located in outside housing; offers quick and easy battery replacements (Three AA Alkaline batteries provide up to 100,000 cycles); lock data is maintained if batteries fail.)

Mechanical Features

Construction	Heavy-duty commercial Grade 1 lockset, solid cast exterior housing, solid cast levers, cylindrical drive wear tested for extensive use in indoor and outdoor applications
Numeric Keypad	Vandal resistant, solid metal pushbuttons
Backset	Cylindrical: 2 ¾" (70 mm) backset, 2 ⅜" (60 mm) backset Mortise: 2 ¾" (70 mm) backset Exit Trim Model: Varies by exit device
Latches	Cylindrical Models: ½" (13 mm) throw latch Mortise Models: ¾" (19 mm) latch, 1" (25 mm) dead bolt (optional) and auto dead bolt (optional)
Strikes	Cylindrical Models: Packaged standard with both ANSI A11.53 "T Strike" and A115.2 ASA Strike
Minimum Stile Required	5" (127 mm)
Weight	8 lbs. (3.63 kg)

Key Override Options

Key-in-Lever Cylinder	Kaba 1539 6-pin cylinder — Schlage "C" Keyway
Interchangeable Core	Small format — Best and equivalent (6 or 7-pin length); cylinder not included

Installation

Ease of Installation	No wiring to or through the door — no risk of pinched wires
Door Preparation	Cylindrical and Exit Trim — ASA 161 (Easily installs on door preparation with three additional through bore holes (wood or metal doors) Mortise — ASA 86 door preparation with three additional through bore holes
Door Thickness	Cylindrical Model: 1 ⅜" (35 mm) to 2 ½" (64 mm); Pre-assembled to accommodate doors 1 ⅝" (41 mm) to 2" (50 mm)
Exit Trim and Mortise Models	1 ¾" (44 mm) to 2 ¼" (57 mm). Pre-assembled to accommodate doors 1 ¾" (44 mm) to 2 ⅝" (54 mm).
Items Supplied Include	Cylindrical and Mortise — Lock assembly, installation manual, template, quick reference guide, operations manual, and required hardware Exit Trim — Lock assembly, installation manual, template, quick reference guide, operations manual, and required hardware Exit Device and mounting hardware not included
Additional Items (Supplied with Key-in-Lever Models Only)	Includes Universal Kaba 1539 6-pin cylinder in Schlage "C" Keyway with two nickel silver keys

Certification and Testing

Accessibility Standard	Americans with Disabilities Act (ADA)
Fire Rating	UL 10C fire rated
Durability	ANSI/BHMA Grade 1 Certified (A156.25, A156.2, A156.13, A156.3)
Environmental	Indoor/Outdoor Approved; -31 °F (-35 °C) to + 130 °F (55 °C)

Warranty

Warranty	Three-year warranty from date of installation; built-in warranty counter in lock memory
----------	---

Available Finishes

Standard Finish	Satin Chrome 26D (626) housings and levers
Optional Finish	Satin Brass 04 (606) housings and levers



Satin Chrome



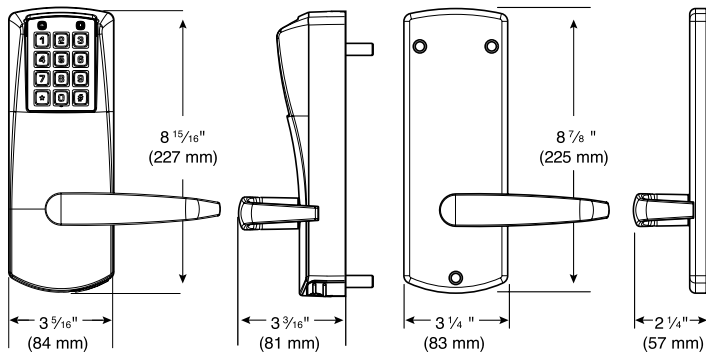
Satin Brass

Exit Device Compatibility

- Arrow S1250
- Arrow S3800
- Corbin Russwin 5200/5200A
- Detex 10/F10
- Dorma 9300/9300F
- Monarch 18R/F-18R
- Precision 21/FL21
- Sargent 2828
- Sargent 3828
- Sargent 8800
- Sargent 8888
- Von Duprin 22/22F
- Von Duprin 98/98F
- Von Duprin 99/99F
- Yale 7100

ATTENTION: Compatibility is subject to change if modifications are made by Exit Device manufacturers without dormakaba's knowledge.

Cylindrical



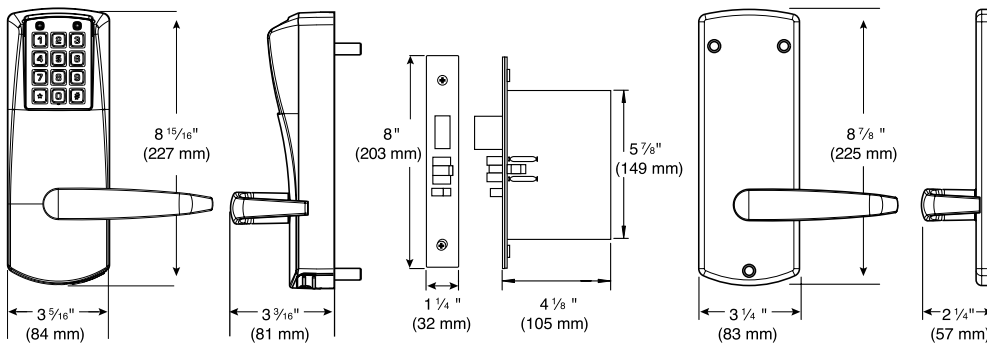
E2000 Exterior

Interior

Optional Features



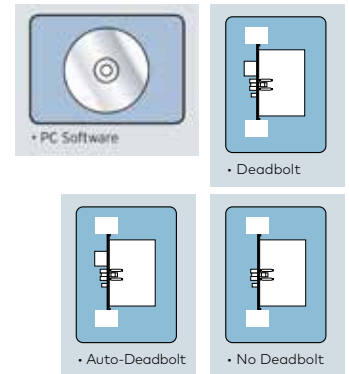
Mortise



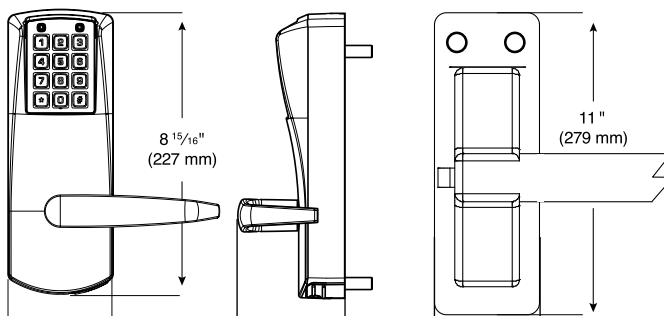
E2000 Exterior

Interior

Optional Features



Exit Trim



E2000 Exterior

Interior

Optional Features



© dormakaba 2022 Information on this sheet is intended for general use only. dormakaba reserves the right to alter designs and specifications without notice or obligation.

dormakaba Inc.
6161 E. 75th Street
Indianapolis, IN 46250

1 800 849 8324
www.dormakaba.us