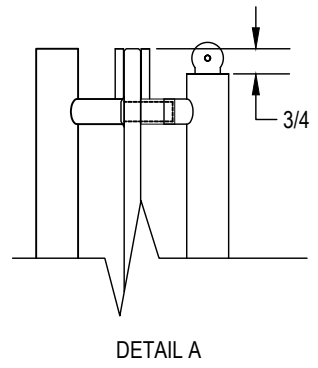
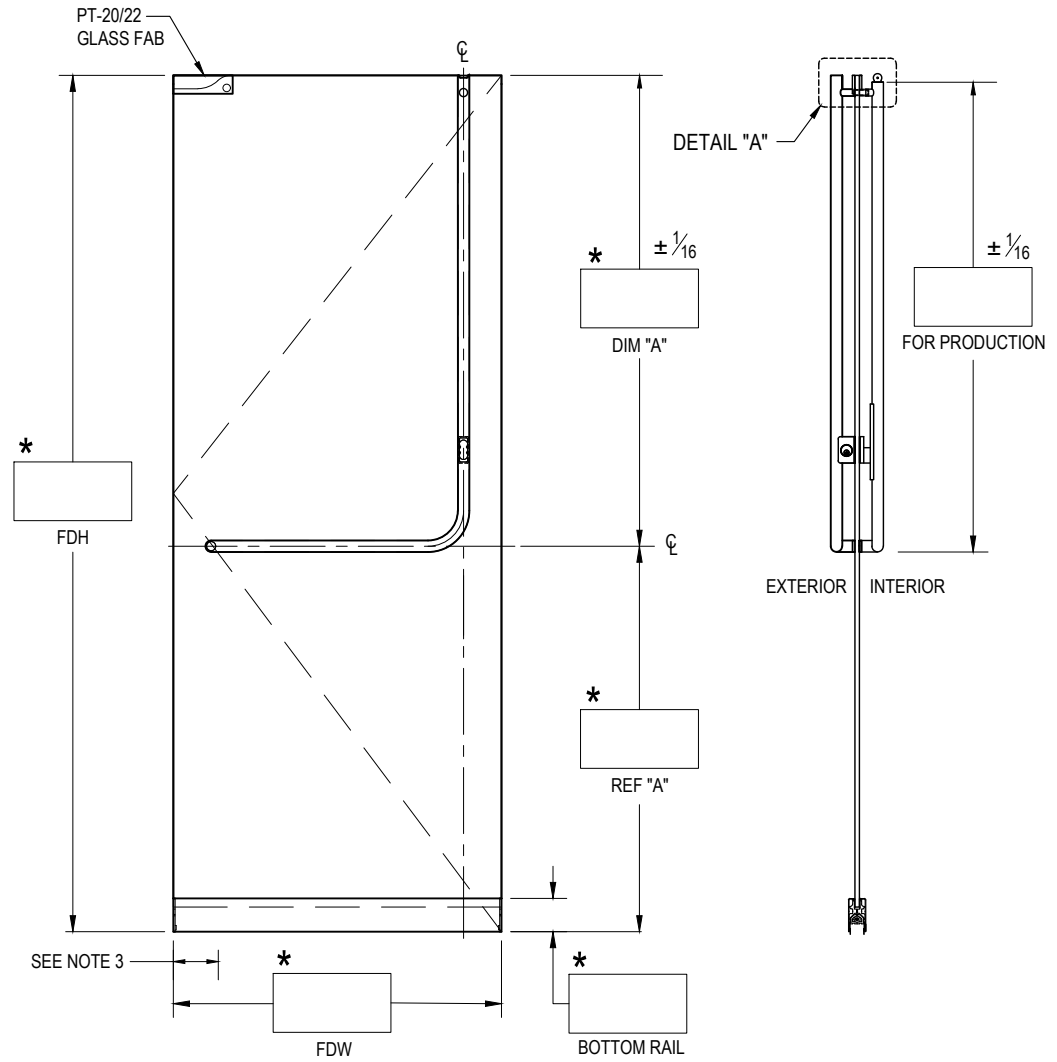


HOUSING: **DG1000C EXIT PART #**  
 HANDING: **SWING #4 SHOWN/LHR EXTERIOR VIEW**  
 TOP HARDWARE:  PT20  PT22  
 BOTTOM RAIL:  2-1/2"  3-5/8"  4"  6"  10"  
 FINISH: \_\_\_\_\_  
 GLASS THICKNESS:  1/2"  3/4" QTY. OF DOORS: \_\_\_\_\_  
 NOTES: \_\_\_\_\_

STRIKE OPTION:  
 FLOOR MOUNTED  
 THRESHOLD MOUNTED  
 THRESHOLD WIDTH \_\_\_\_\_



FDH = FINISHED DOOR HEIGHT  
 FDW = FINISHED DOOR WIDTH  
 GH = GLASS HEIGHT  
 GW = GLASS WIDTH  
 b = BOTTOM RAIL DEDUCTION

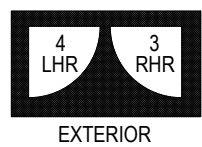
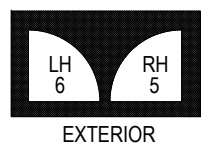
**EXTERIOR ELEVATION**  
 SCALE: 5/8" = 1'-0"

**SECTION**  
 SCALE: 5/8" = 1'-0"

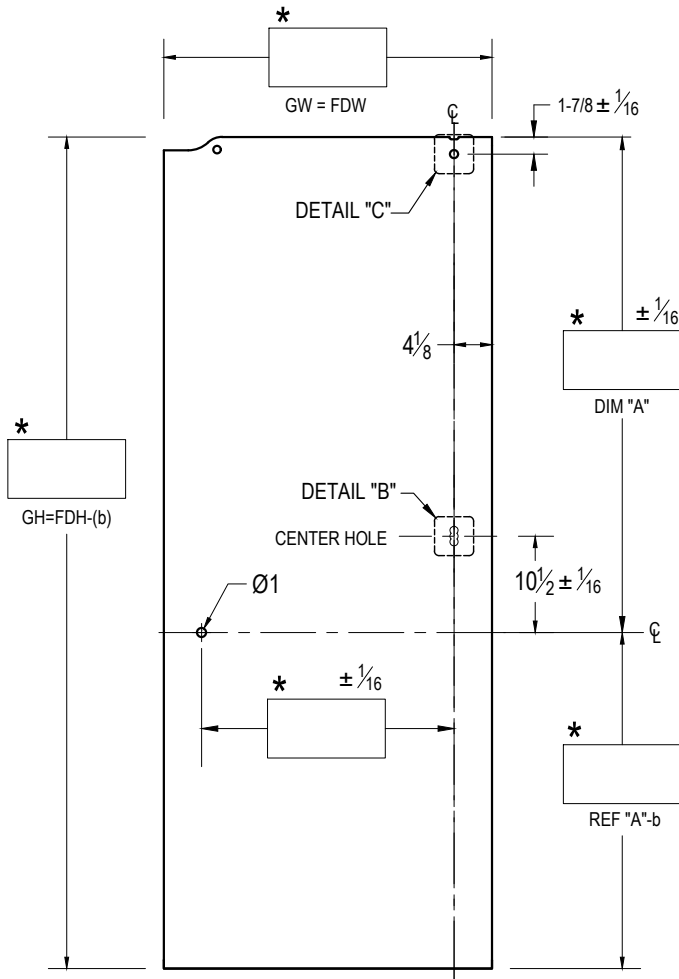
CUSTOMER NAME: \_\_\_\_\_  
 CUSTOMER APPROVAL: \_\_\_\_\_  
 P.O. # \_\_\_\_\_  
 DOOR MARK: \_\_\_\_\_  
 SALES ORDER # \_\_\_\_\_  
 GLASS THICKNESS: \_\_\_\_\_  
 DATE: \_\_\_\_\_

**dormakaba**   
 DORMA USA, Dorma Drive, Reamstown, PA 17567-0411 PH: 800-523-8483  
 DRAWING TITLE: **DG1000P-C-BP**

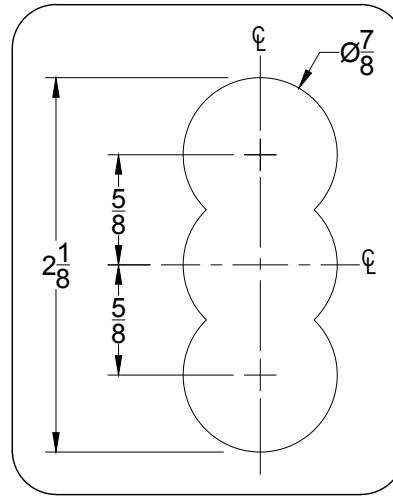
- NOTES:
- RAIL HEIGHT AND (\*) DIMENSIONS PROVIDED BY CUSTOMER.
  - ALL DIMENSIONS ARE IN INCHES.
  - NOTE PIVOT REFERENCE DIMENSIONS:
    - 2-3/4" FROM SIDELITE & FRAME
    - 3-1/2" FROM WALL.



# GLASS DETAILS

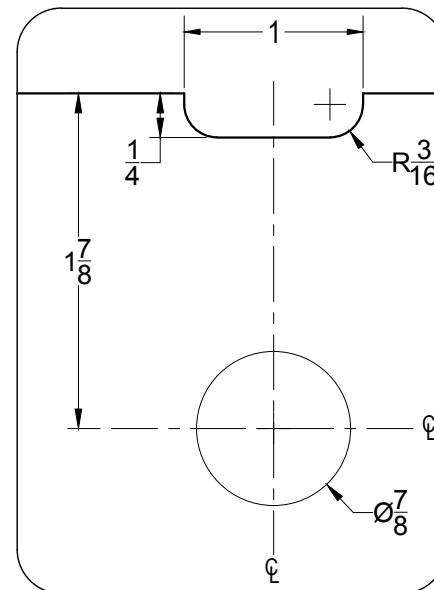


EXTERIOR ELEVATION  
SCALE: 5/8" = 1'-0"



DETAIL "B"

SCALE: 1:1



DETAIL "C"

SCALE: 1:1

**Glass Height Equation: GH = FDH - (b)**

Rail Height	2-1/2"	3-5/8"	4"	6"	10"
Deduction	1.8125	2.6875	2.6875	5.0625	5.0625

FDH = FINISHED DOOR HEIGHT  
 FDW = FINISHED DOOR WIDTH  
 GH = GLASS HEIGHT  
 GW = GLASS WIDTH  
 b = BOTTOM RAIL DEDUCTION

CUSTOMER NAME:

CUSTOMER APPROVAL:

P.O. #

DOOR MARK:

SALES ORDER #

GLASS THICKNESS:

DATE:

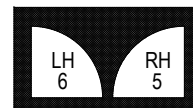
**dormakaba**

DORMA USA, Dorma Drive, Reamstown, PA 17567-0411 PH: 800-523-8483

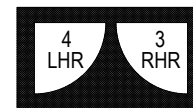
DRAWING TITLE: **DG1000P-C-BP**

**NOTES:**

1. RAIL HEIGHT AND (\*) DIMENSIONS PROVIDED BY CUSTOMER.
2. ALL DIMENSIONS ARE IN INCHES.
3. ALL HOLE SIZES AND LOCATIONS MUST BE HELD TO +/- 1/16"
4. DO NOT CHAMFER EDGES OF HOLES.



EXTERIOR



EXTERIOR