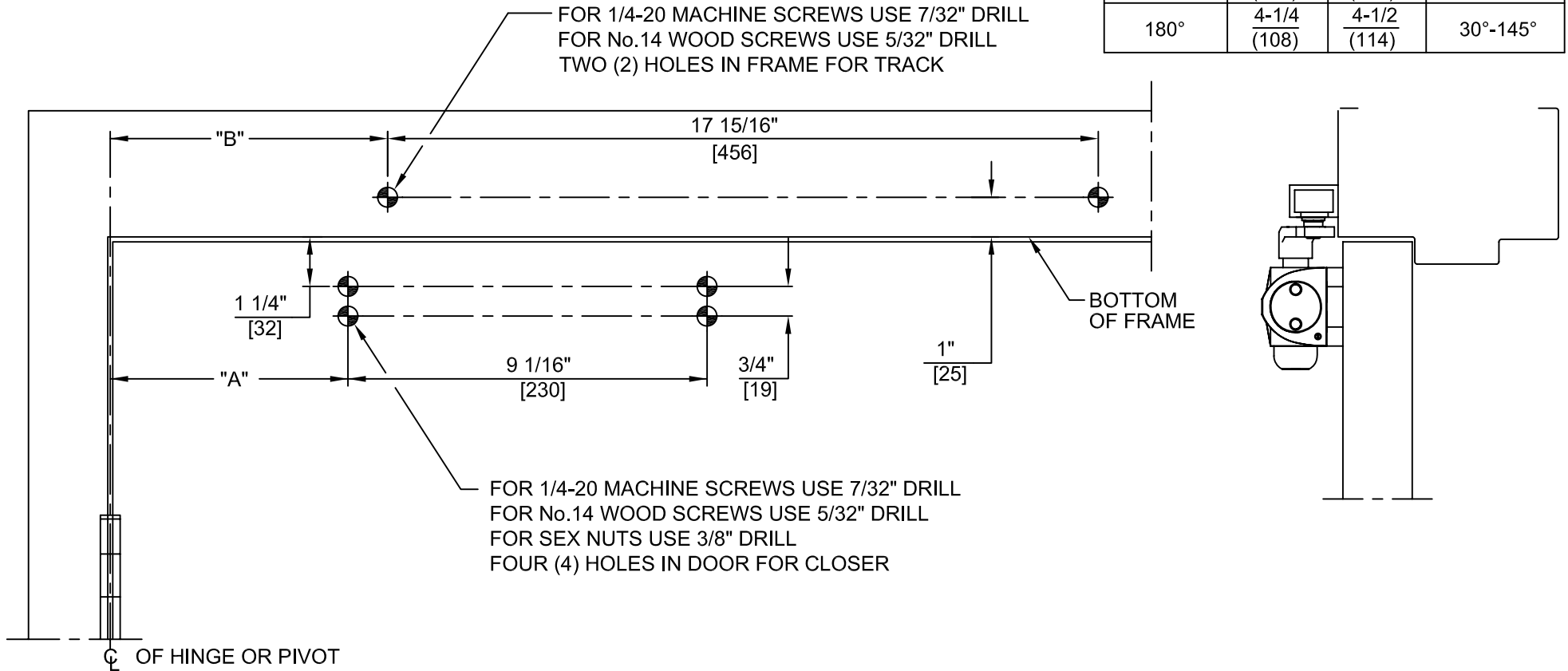


No.	REVISIONS	DATE
-----	-----------	------

NOTES:

1. DO NOT SCALE DRAWING.
2. DIMENSIONS ARE IN INCHES/(MM).
3. RIGHT HAND DOOR SHOWN.
4. CAUTION: SEX NUTS ARE REQUIRED FOR ATTACHMENT OF COMPONENTS TO UNREINFORCED DOORS AND TO WOOD OR PLASTIC FACED COMPOSITE TYPE FIRE DOORS, UNLESS AN ALTERNATIVE METHOD IS IDENTIFIED IN THE INDIVIDUAL DOOR MANUFACTURER'S LISTINGS.
5. MAX. OPENING IS 175°.

ANGLE OF OPENING	DIM. "A" CLOSER	DIM. "B" TRACK	HOLD OPEN RANGE
85°	$\frac{6-1/2}{(165)}$	$\frac{8-3/4}{(222)}$	30°-80°
90°	$\frac{6}{(152)}$	$\frac{8-1/4}{(200)}$	30°-85°
110°	$\frac{4-3/4}{(121)}$	$\frac{6-1/2}{(165)}$	30°-100°
180°	$\frac{4-1/4}{(108)}$	$\frac{4-1/2}{(114)}$	30°-145°



DOOR CLOSER MODELS: 7302 - 7305 JT, JTH
TRACK INSTALLATION (PULL SIDE MOUNT)



DORMA Architectural Hardware
REAMSTOWN, PENNSYLVANIA 17567

TEMPLATE No. 7300-28

NOTES:

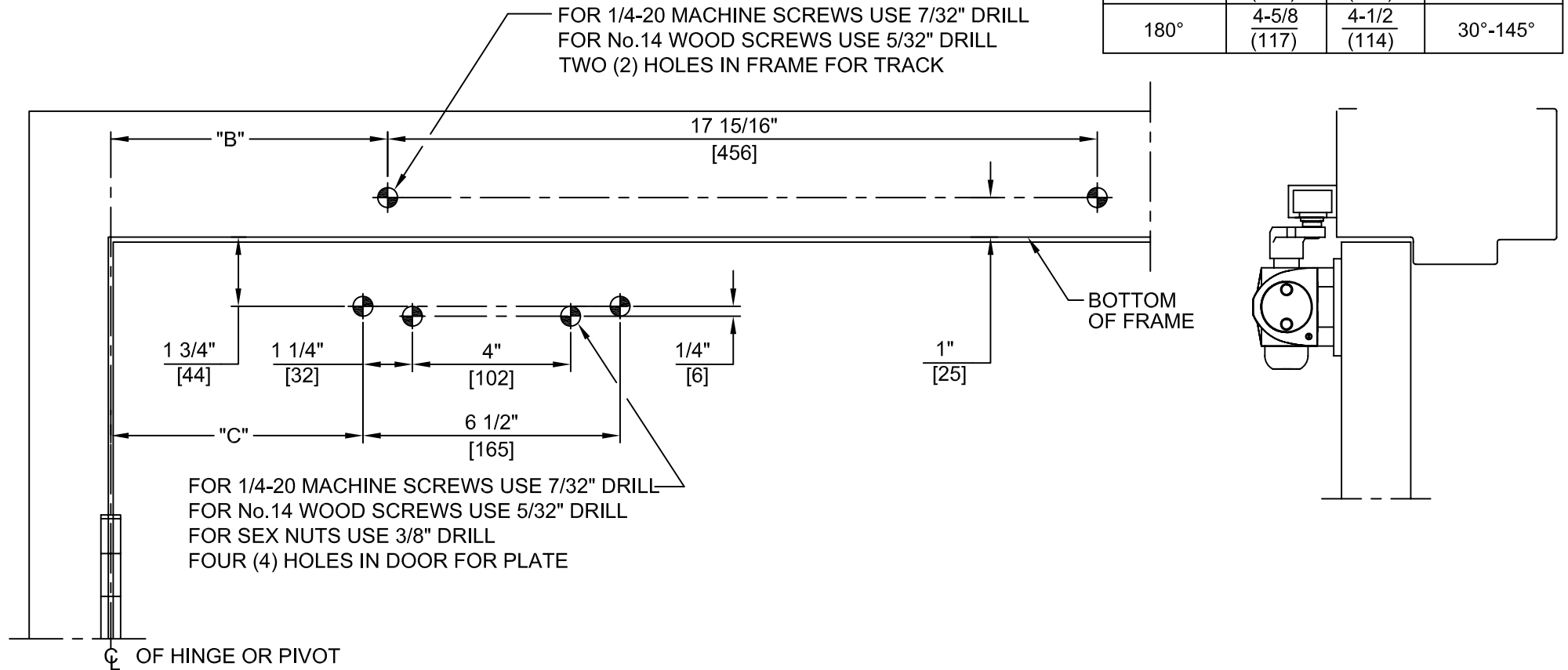
1. DO NOT SCALE DRAWING.
2. DIMENSIONS ARE IN INCHES/(MM).
3. RIGHT HAND DOOR SHOWN.
4. CAUTION: SEX NUTS ARE REQUIRED FOR ATTACHMENT OF COMPONENTS TO UNREINFORCED DOORS AND TO WOOD OR PLASTIC FACED COMPOSITE TYPE FIRE DOORS, UNLESS AN ALTERNATIVE METHOD IS IDENTIFIED IN THE INDIVIDUAL DOOR MANUFACTURER'S LISTINGS.
5. MAX. OPENING IS 175°.

No.

REVISIONS

DATE

ANGLE OF OPENING	DIM. "C" PLATE	DIM. "B" TRACK	HOLD OPEN RANGE
85°	$\frac{6-7/8}{(175)}$	$\frac{8-3/4}{(222)}$	30°-80°
90°	$\frac{6-3/8}{(162)}$	$\frac{8-1/4}{(200)}$	30°-85°
110°	$\frac{5-1/8}{(130)}$	$\frac{6-1/2}{(165)}$	30°-100°
180°	$\frac{4-5/8}{(117)}$	$\frac{4-1/2}{(114)}$	30°-145°



DOOR CLOSER MODELS: 302 - 7305 JT, JTH
TRACK INSTALLATION (PULL SIDE MOUNT)
WITH PLATES BP73, BP86, BP86FC



DORMA Architectural Hardware
REAMSTOWN, PENNSYLVANIA 17567

TEMPLATE No. 7300-29