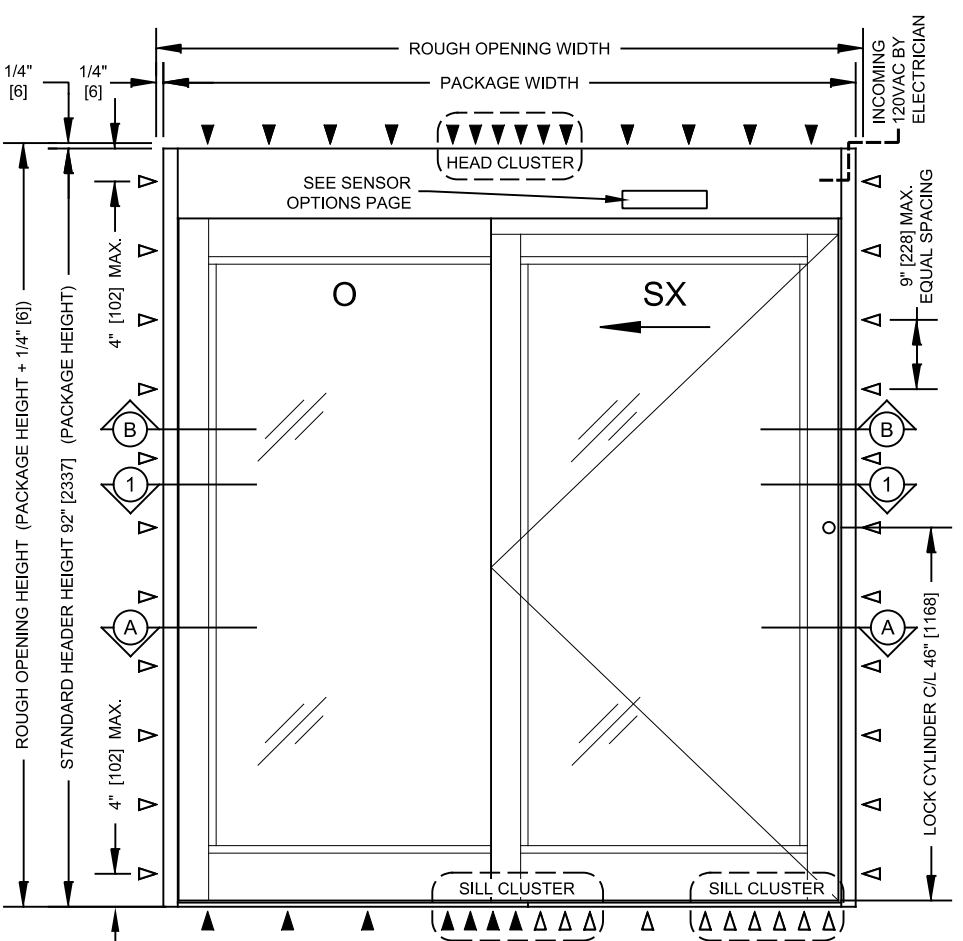
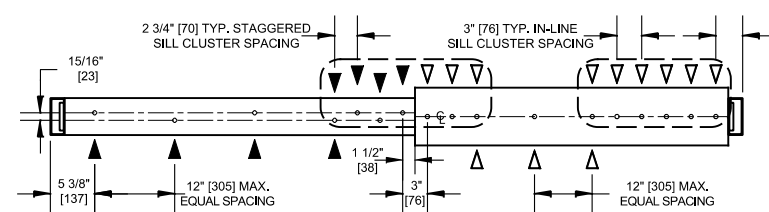
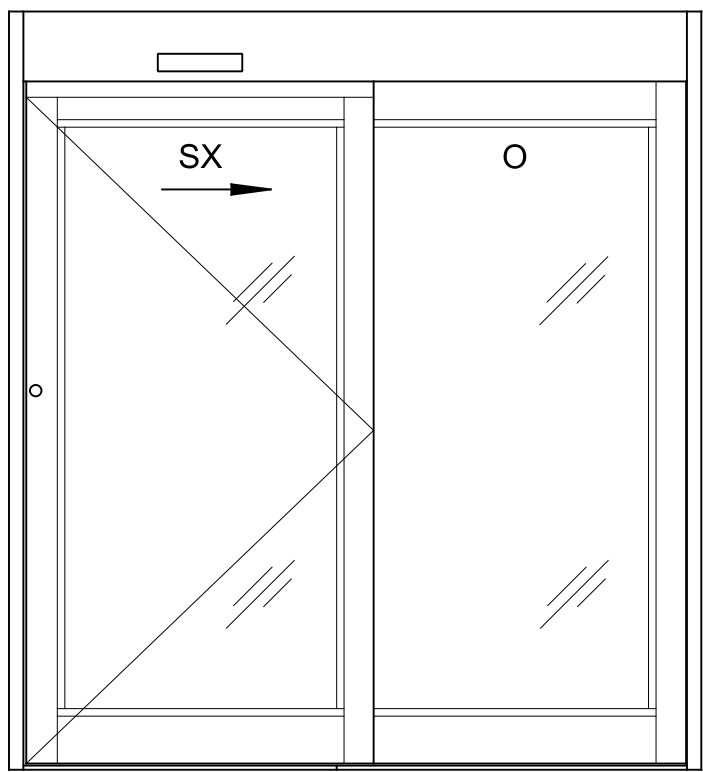


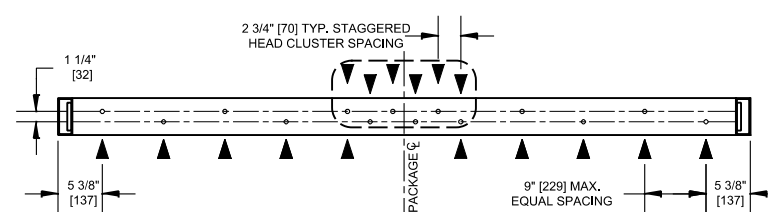
SECTION 2
TYPE: O-SX SHOWN, SX-O OPPOSITE



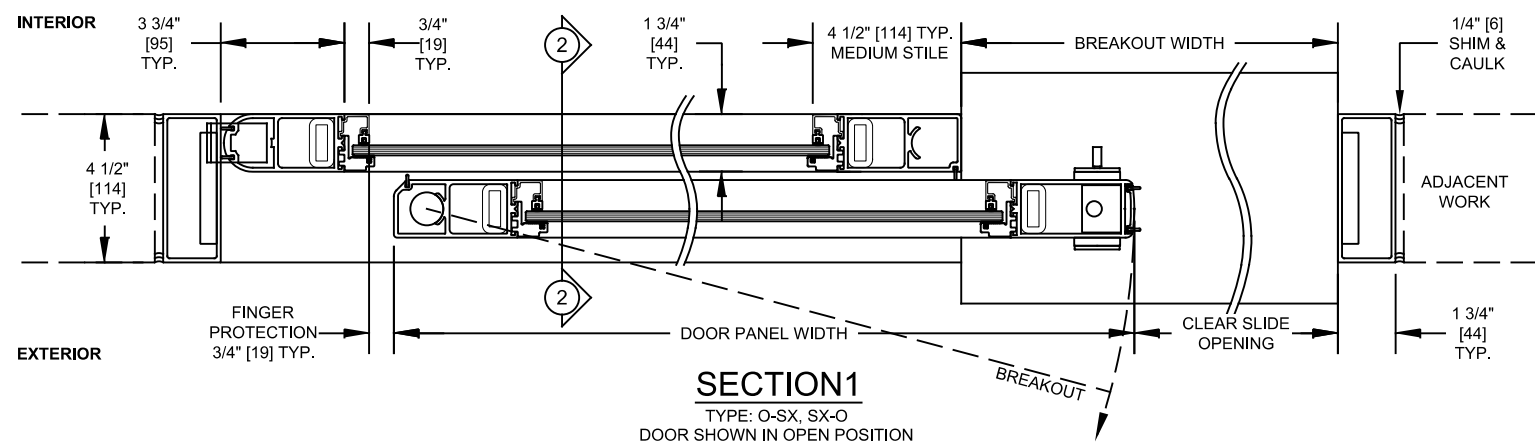
EXTERIOR ELEVATION
TYPE: O-SX, SX-O



DETAIL A (SILL CLUSTER)
TYPE: O-SX SHOWN, SX-O OPPOSITE



DETAIL B (HEAD CLUSTER)
TYPE: O-SX, SX-O



SECTION 1
TYPE: O-SX, SX-O
DOOR SHOWN IN OPEN POSITION

Package Width	Rough Opening Width	Clear Slide Opening	Door Panel Width	Breakout Width
(7'-0") 84" [2134]	84 1/2" [2146]	32 11/16" [830]	42 3/8" [1076]	38 1/16" [967]
(8'-0") 96" [2438]	96 1/2" [2451]	38 11/16" [982]	48 3/8" [1229]	44 1/16" [1119]
Width Formulas	Package Width + 1/2" [13]	(Package Width / 2) - 9 5/16" [237]	(Package Width / 2) + 3/8" [10]	(Package Width / 2) - 3 15/16" [100]

- This Hurricane Rated Single door package consists of:
 - Operator:
 - Two combination motion/presence sensors (one on each side) (See sensor options page).
 - ESA II motor drive unit with self-learning and self-monitoring microprocessor controller.
 - Jamb mounted 5 function rocker switch panel (see mode switch options page).
 - Panels:
 - 4 1/2" [114] Medium stile door panels (including 3/4" [19] wide glass stop).
 - 7 1/2" [190] Bottom rails (including 3/4" [19] wide glass stop).
 - 1 3/4" [44] x 4 1/2" [114] Smooth jambs.
 - Vertical and horizontal weather seal Santoprene rubber type weather stripping.
 - MS series two point mortise lock. 3-point lock with reinforced pins.
 - 3/4" [19] wide snap-in glass stops at interior for glazing with security stops on exterior for wet-glazing 5/16" [8] and 9/16" [14] thick laminated glass.
 - 7" [178] x 1/2" [13] Beveled Threshold.
 - Breakaway reinforced sliding door panels (SX) and reinforced sidelights (O) panels.
 - ITS96 Closer installed in SX panels.
 - 1/2" [13] x 4 1/2" [114] Surface applied track & threshold.
 - Anti-Derail Hardware.
 - Glass Type:
 - 1/4" HS - 0.045 Dupont Butacite PVB interlayer - 0.007" Dupont abrasion-resistant polyester (Pressure rating: +45.0 PSF, -45.0 PSF) check pressures.
 - 1/8" HS - 0.075 Solutia Vanceva interlayer - 1/8" HS (Pressure rating: +52.4 PSF, -52.4 PSF).
 - 1/4" HS - 0.075 Solutia Vanceva interlayer - 1/4" HS (Pressure rating: +52.4 PSF, -52.4 PSF).
 - Finishes:
 - Clear anodized (BHMA 204).
 - Dark Bronze anodized (BHMA 313).
- Typical Package Options:
 - Finishes: special anodized, PVDF (wet) paint, powder coat, and cladding available for header, panels and jambs only.
 - Bottom Rails: 7 1/2" [190] to 10" [254].
 - Locking and Security Options:
 - Autolock sliding carrier lock concealed in header.
 - Surface mounted exit devices, (SX panels).
 - Non-Impact version available, NOA No. 11-1213.03 Expires 01-11-17.
 - Surface applied muntins.
- Drawing Notes:
 - Drawing dimensions are in English & Metric units. Metric units are displayed as: 1" [25] millimeters.
 - Special Application Dimensions:
 - Each door package is manufactured to your custom size requirements.
 - Package Width: Min. 7' [2134] to Max. 8' [2438].
 - Header Height: Min. 7'-4 1/2" to Max. 8' 8" [2642].
 - SX Panel Weight: Max. weight 225 lbs [102kg].
 - SX Panel Width: Max. 49 1/2" [1257].
 - SX Panel Size Limit = (SX Panel Width x Weight) < 800 ft-lbs [1084 N-m].
 - Anchor Schedule:
 - 1/4" [6] ITW Tapcons with 1 3/4" [44] Min. Embed. into Min. 3000PSI concrete.
 - 1/4" [6] Grade 5 metal screws to A36 Steel or 6063-T5 Aluminum alloy at 1/8" [3] min. thickness.
 - 1/4" [6] Grade 5 metal screws with 1 1/2" [38] Min. thread penetration to wood, 1" [25] Min. edge distance for 2 x Wood Buck only.
 - Anchor Notes:
 - See exterior elevation and detail views for anchor locations and/or spacing.
 - Anchors shall be installed in accordance with manufacturer's recommendations.
 - Ensure minimum 2 1/2" [64] edge distance for all anchors to concrete.
 - Edge distance of 1/2" [13] is acceptable for anchors to steel or aluminum.
 - Wood host structure shall be "Southern Pine" G=0.55 or greater density.
 - Minimum embedment shall be as noted in the anchor schedule.
 - Minimum embedment and edge distance excludes Stucco, Foam, Brick and other wall finishes.
 - Where existing structure is wood framing, existing conditions may vary. Field verify that fasteners are into adequate wood framing members, not into plywood.
- Power Requirements:
 - 120V +/- 10%, 50/60 Hz, 6.6A peak, 250 W. Up to 4 operators on a single 20A breaker. Service to header by electrician.
- Standards of Compliance:
 - This product has been tested and designed in accordance with the requirements of the Florida building code - High Velocity Hurricane Zone (HVHZ) and HVHZ test protocol TAS 201, 202, & 203 large missile impact resistant system.
 - Units are large missile impact resistant and do not require impact resistant shutters for exterior door installations.
 - Permit holder shall verify the adequacy of the existing bucks not by this product manufacturer shall be anchored properly to transfer loads to the host structure.
 - Positive and negative design pressures calculated for use with this system shall be determined by others on a job specific basis in accordance with the governing code.
 - UL 325 & CSA 22.2 (listed with ETL).
 - Designed to comply with these standards depending on installation and application.
 - International Building Code - 2012 (section 1008).
 - ANSI/ BHMA 156.10.
 - ANSI/ BHMA 156.38.
 - NFPA 101 - 2009 Life Safety Code (Section 7.2.1.9).
 - Minimum ADA is 32" clear slide opening.
- Contact dormakaba Architectural Services for more information:
 - Phone: 1-844-SPEC-NOW (1-844-773-2669)

ESA200-HP_SM Sheet 1 of 1

dormakaba

1 Dorma Drive, Reamstown PA 17567 Phone: 717-336-3881

Drawing Title: **ESA200-HP AUTOMATIC SLIDING DOOR**

HURRICANE RATED FIXED SIDELIGHT SINGLE MEDIUM STILE

© dormakaba Subject to Change Without Notice. Date: 22-JUN-2022

▽ INDICATES SINGLE ANCHOR LINE (IN-LINE)
▼ INDICATES STAGGERED ANCHORS