

High Security IP68 Rated Padlock

P8093 CEN 6



Description:

Maximum Security applications including remote sites within the utility and infrastructure sectors as well as general perimeter security, and security on track side/road side enclosures and cabinets.

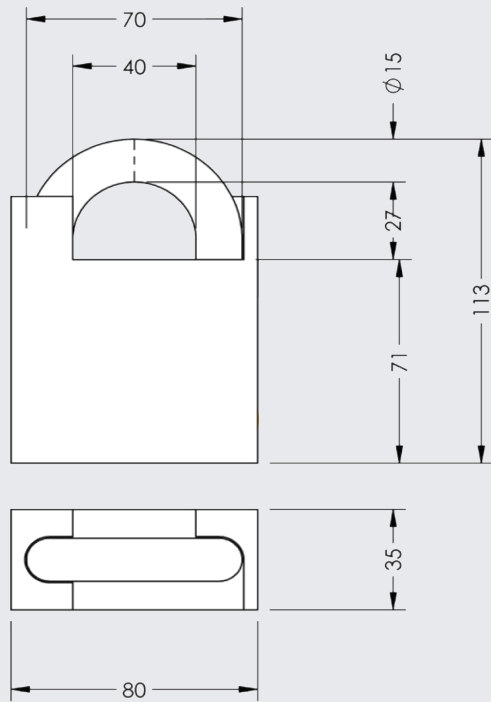
A key is required to open and lock the shackle.

Suitable for universal use indoor and outdoor.

Features:

- 80mm hardened steel padlock and shackle
- Electroless nickel plated
- 15mm diameter closed shackle
- IP68 Standard: EN 60529:1991 + A1:2000 + A2:2013. IEC 60529:1989 + A1:1999 + A2:2013
- Available with a removable or fixed shackle
- Available with a 27mm vertical clearance shackle
- EN 12320 Grade 6 (CEN 6) – the highest grade possible
- Cylinder is protected by an 11mm thick hardened plate.
- Double locking hardened stainless steel ball bearing.
- Uses a Swedish oval cylinder
- Padlock Retention chain available separately

Padlock Information



Available Patented Systems:

- Kaba 20 (K37)
- quattro plus (K85)
- expert plus (K83)
- pextra+ (PXP & PXPA)

Available Legacy Systems:

- Kaba 20 (P1)
- quattro Plus (K58)
- expert (K56)
- pextra (PX & PXA)

PDS-073-01

Any questions? We would be happy to advise you.

Contact us on: **01884 256464**