

Saffire LX-P & Saffire EVO LZ-P

VON DUPRIN 9875/9975

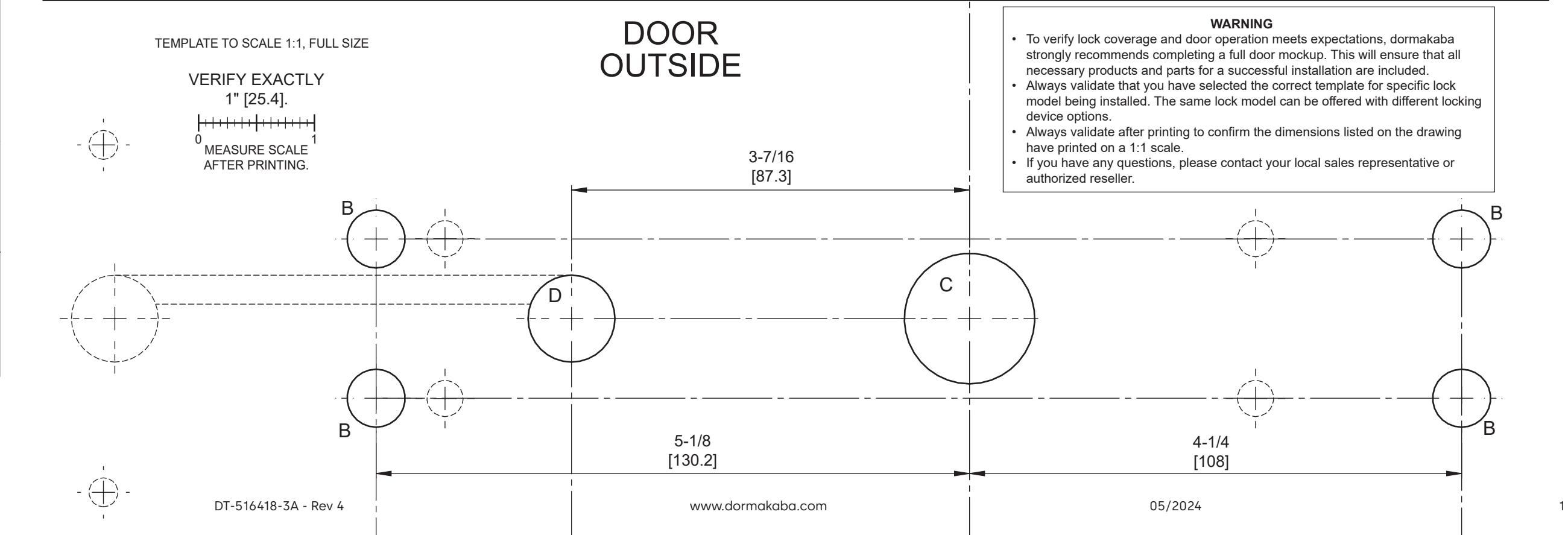
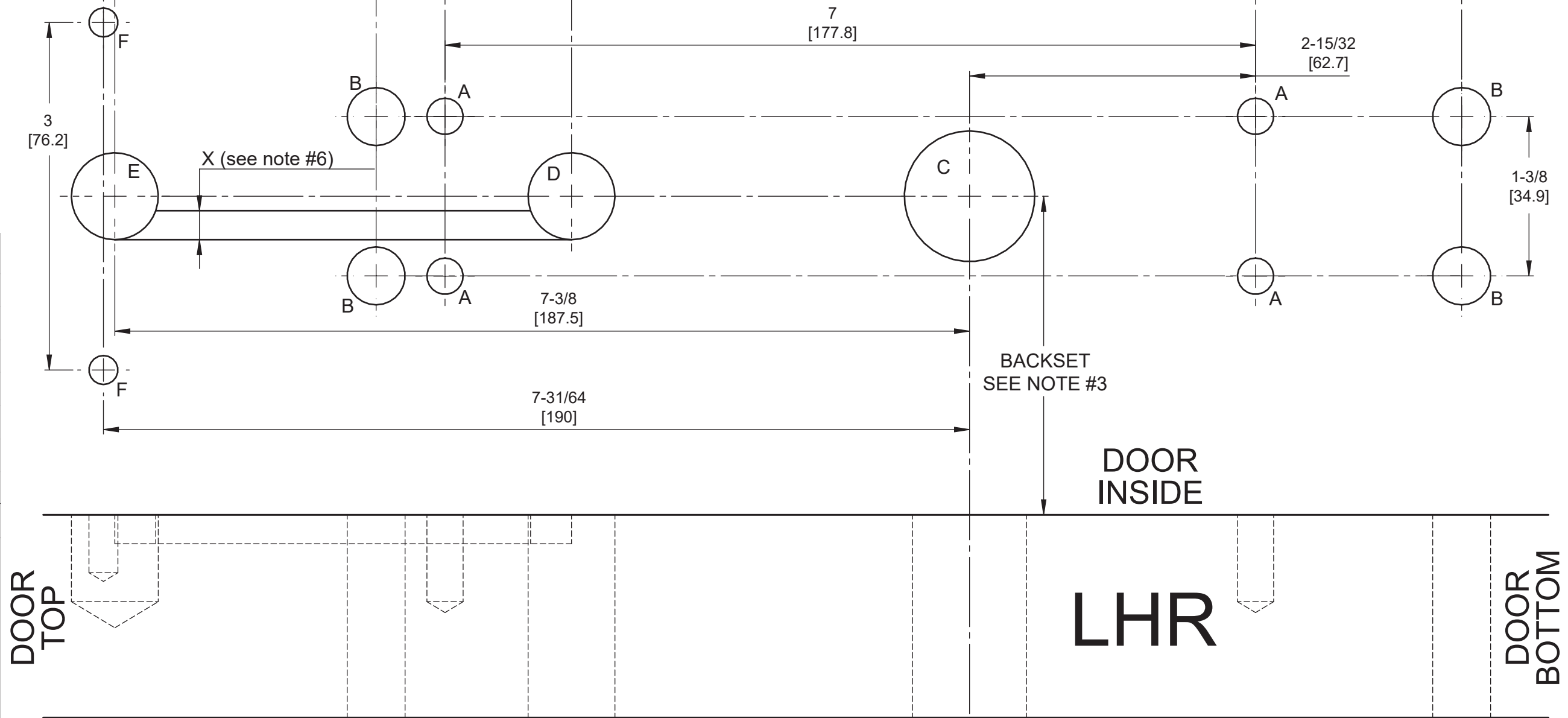
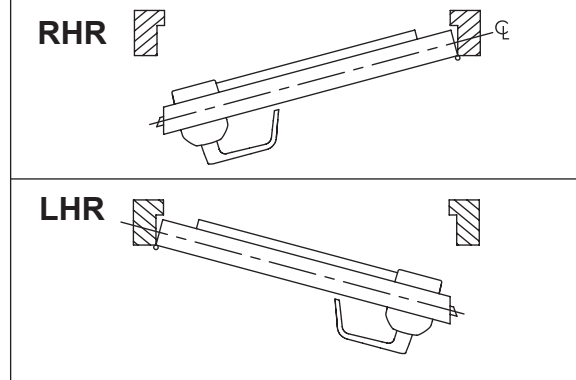
Drilling template

HOLE ID	DIM inch/[mm]	∇ inch/[mm]	COMMENTS
A	∅ 5/16 [7.95]	∇ 3/4 [19.05]	SEE NOTE #4
B	∅ 1/2 [12.7]	*	-
C	∅ 1-1/8 [28.6]	*	SEE NOTE #2
D	∅ 3/4 [19.05]	*	-
E	∅ 3/4 [19.05]	∇ 3/4 [19.05]	SEE NOTE #4
F	∅ 1/4 [6.35]	∇ 1/2 [12.7]	SEE NOTE #4
X	∅ 1/4 [6.35]	∇ 1/4 [6.35]	SEE NOTE #4, #6

*UNLESS OTHERWISE NOTED, DRILL HALF DOOR THICKNESS ON BOTH SIDES.

NOTES:

- FOR DIMENSIONS AND TOLERANCES REFER TO CORRESPONDING DOOR PREPARATION DRAWING IP-516418-3.
- FOR EXIT DEVICE & MORTISE LOCK CUT-OUT REFER TO EXIT DEVICE MANUFACTURER INSTALLATION INSTRUCTIONS.
- BACKSET SHOWN FOR REFERENCE ONLY, ADJUST BACKSET TO EXIT DEVICE MANUFACTURER INSTALLATION INSTRUCTIONS.
- HOLES A, E, F & GROOVE X: FROM THE INSIDE OF THE DOOR, DRILL HOLES (SEE TABLE).
- SYMBOLS:
 - ∇ DEEP
 - ∅ CENTERLINE OF DOOR
 - ∅ DIAMETER
- GROOVE TO BE DONE ONLY IN SOLID DOORS. TO PASS WIRES INSIDE THE DOOR FOR HOLLOW DOORS.
- ALL DIMENSIONS ARE IN INCHES [mm].



TEMPLATE TO SCALE 1:1, FULL SIZE

VERIFY EXACTLY 1" [25.4].

MEASURE SCALE AFTER PRINTING.

