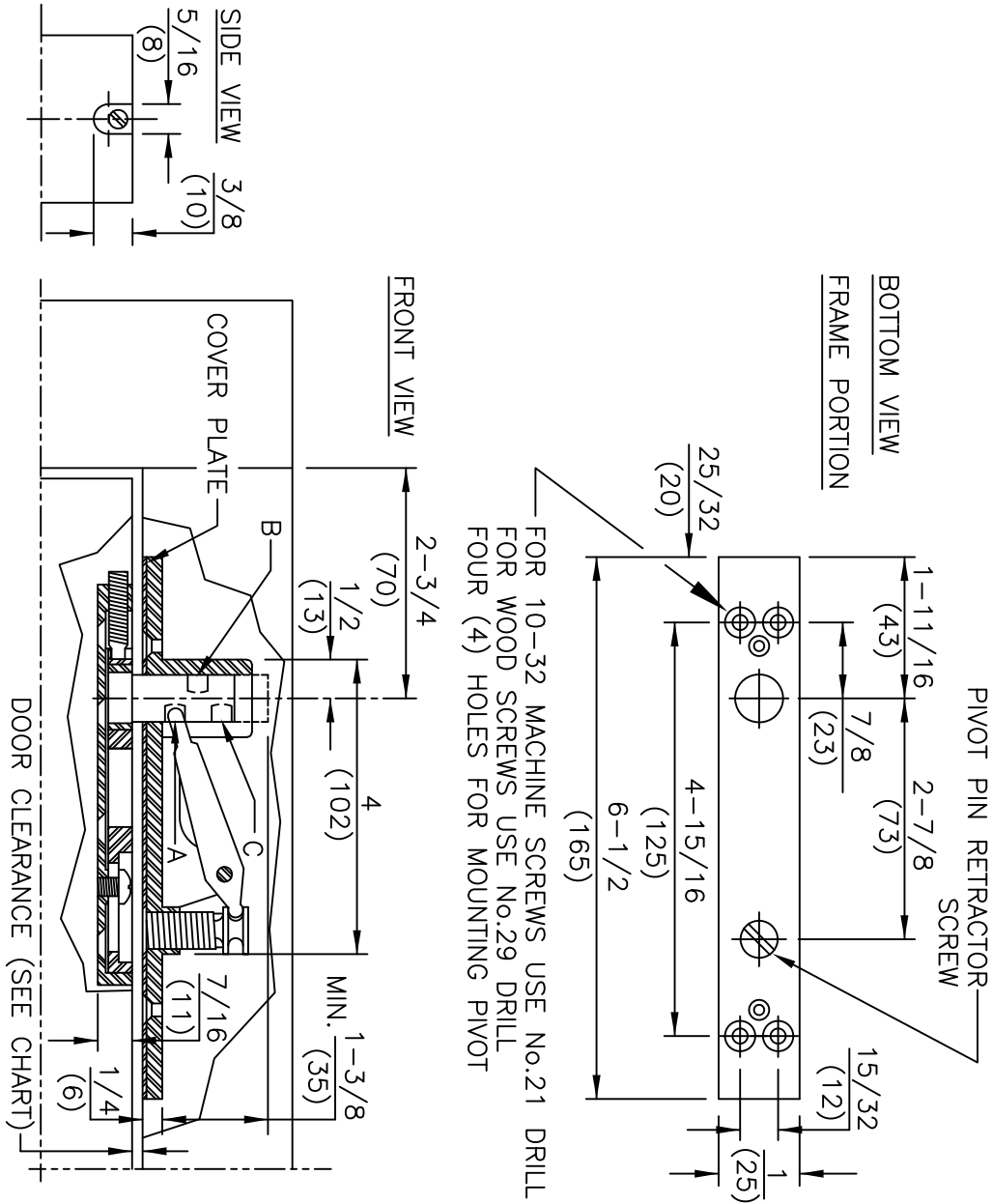


- NOTES**
1. DO NOT SCALE DRAWING.
  2. DIMENSIONS ARE IN INCHES/(MM).
  3. ALL NECESSARY REINFORCING FOR PIVOTS BY OTHERS.
  4. PIVOT PIN DIAMETER .591/(15MM).
  5. PIVOT PIN PROJECTION IS ADJUSTABLE. SEE CHART FOR DOOR CLEARANCES.

DOOR CLEARANCE		
POSITION	STANDARD PIN	EXTENDED PIN
A	1/8"(3)	3/4"(19)
B	3/8"(10)	1"(25)
C	3/4"(19)	1-5/16"(33)



FOR 10-32 MACHINE SCREWS USE No.21 DRILL  
FOR WOOD SCREWS USE No.29 DRILL  
FOUR (4) HOLES FOR MOUNTING PIVOT

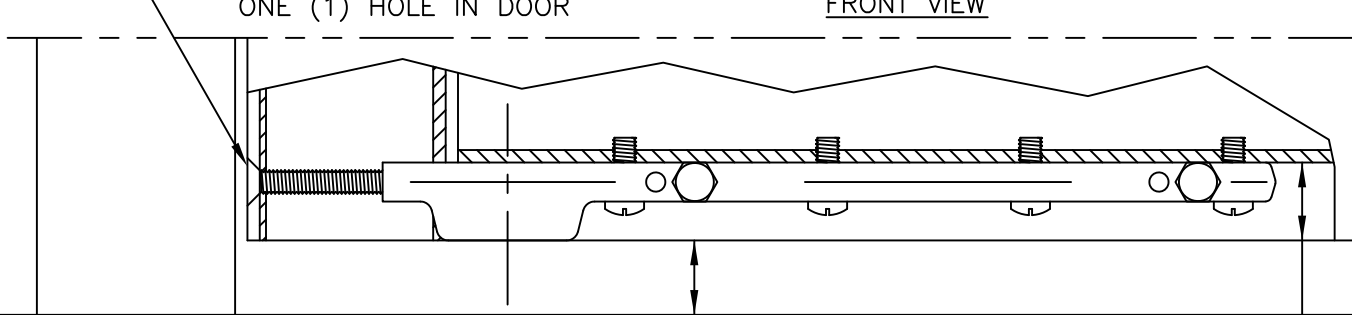
FOR 10-32 MACHINE SCREWS USE No.21 DRILL  
FOR WOOD SCREWS USE No.29 DRILL  
FOUR (4) HOLES IN DOOR

NOTES

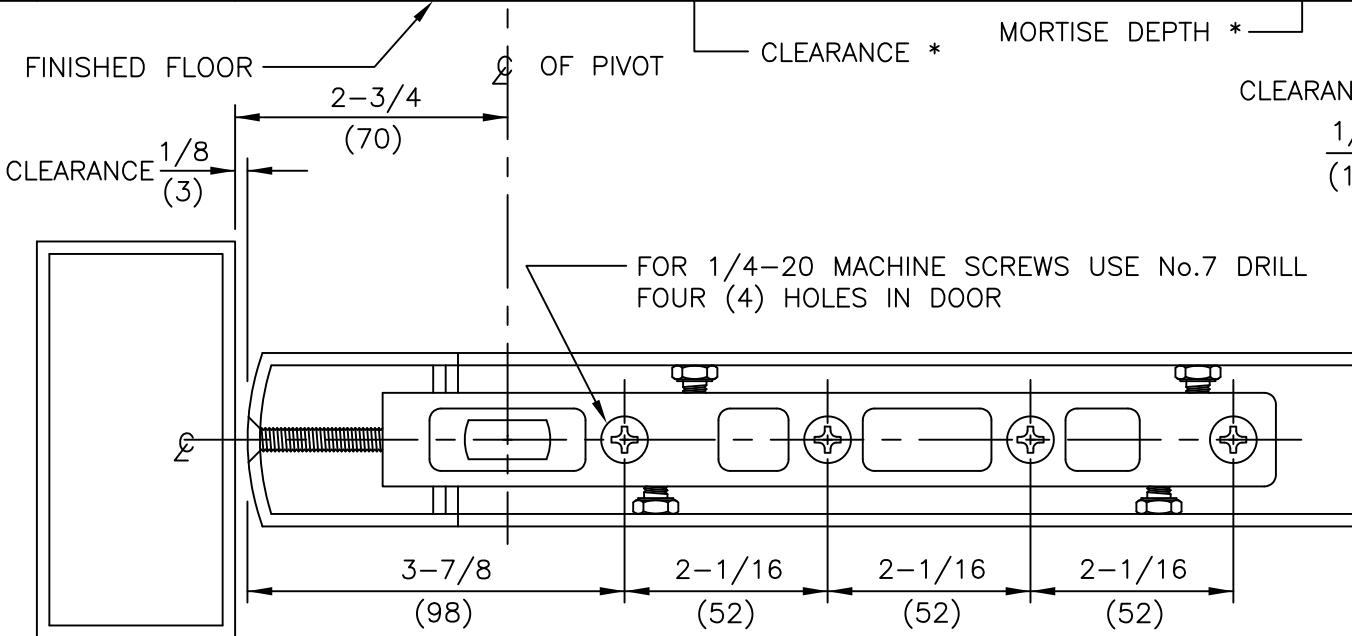
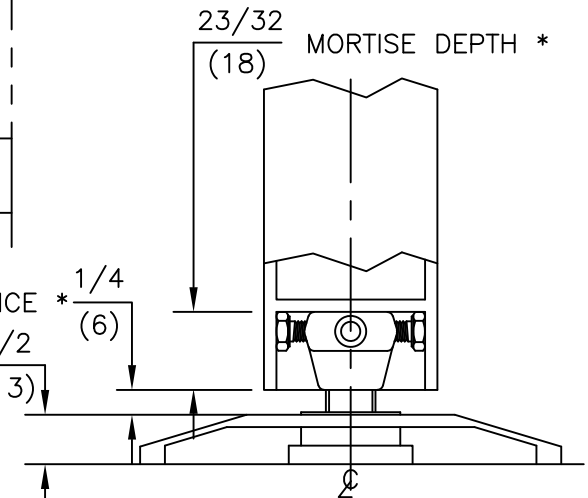
1. DO NOT SCALE DRAWING.
2. DIMENSIONS ARE IN INCHES/(MM).
3. ALL NECESSARY REINFORCEMENT FOR ARM BY OTHERS.

No.10 DRILL - CSK. 90° X 1/2" DIA.  
 ONE (1) HOLE IN DOOR

FRONT VIEW



THRESHOLD

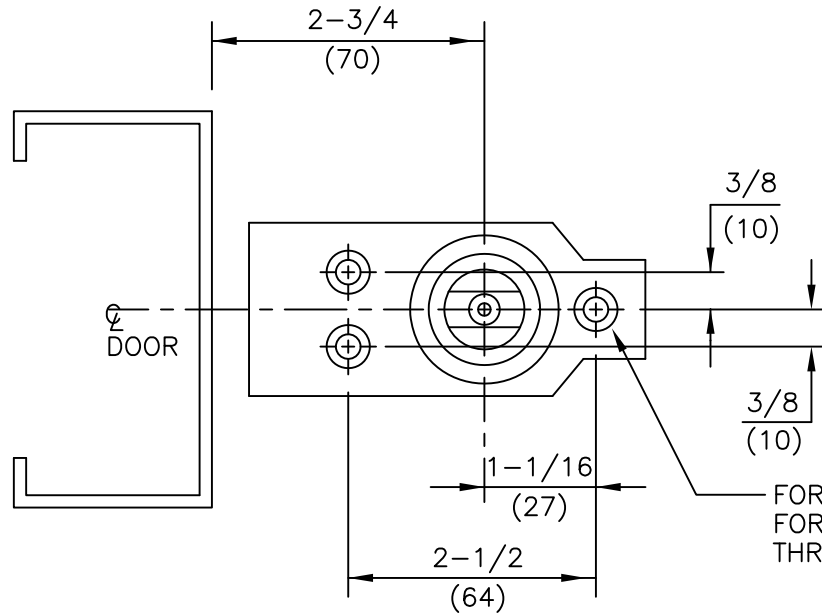


BOTTOM VIEW

SPINDLE EXT.	CLEARANCE *	MORTISE DEPTH *
STD.	3/4"	23/32"
5mm	15/16"	23/32"
7.5mm	1"	23/32"
10mm	1-1/8"	23/32"
15mm	1-5/16"	23/32"
20mm	1-1/2"	23/32"
25mm	1-11/16"	23/32"
30mm	1-15/16"	23/32"
35mm	2-1/8"	23/32"
40mm	2-5/16"	23/32"
45mm	2-1/2"	23/32"
50mm	2-11/16"	23/32"

ITEM No. 7422  
 CENTER HUNG BOTTOM ARM  
 ALUMINUM DOOR  
 FOR USE WITH 7471K FLOOR BEARING

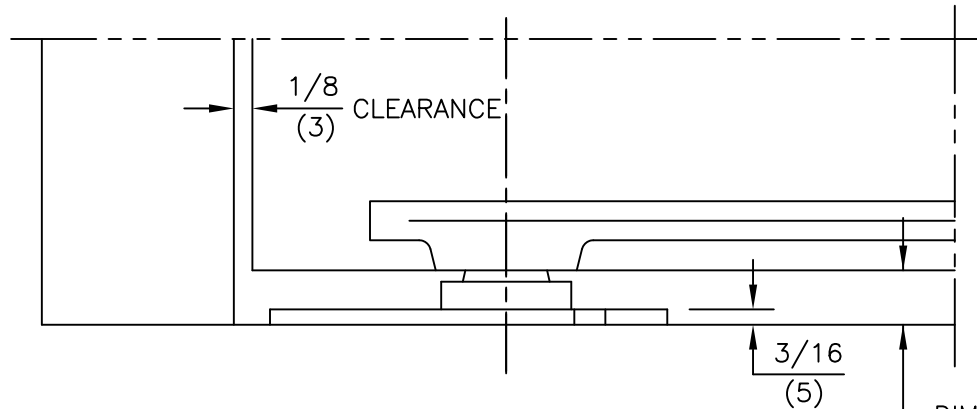




NOTES:

1. DO NOT SCALE DRAWING.
2. DIMENSIONS ARE IN INCHES\MM.
3. DIMENSION "A" IS DISTANCE FROM BOTTOM OF PIVOT TO BOTTOM OF ARM. WHEN BOTTOM ARM IS INSTALLED TO THE STANDARD TEMPLATE, THIS IS ALSO EQUAL TO THE BOTTOM DOOR CLEARANCE.

FOR WOOD FLOORS USE 1/8" DRILL  
 FOR CONCRETE FLOORS USE 1/4" DRILL 1" DEEP  
 THREE (3) HOLES



DIM. "A"  
 SEE NOTE #3

SPINDLE SIZE	DIM. "A"
STD.	11/16 (17)
5mm	7/8 (22)
10mm	1-1/16 (27)
15mm	1-1/4 (32)
20mm	1-7/16 (37)
25mm	1-5/8 (42)
30mm	1-7/8 (47)
35mm	2-1/16 (52)
40mm	2-1/4 (57)
45mm	2-7/16 (62)