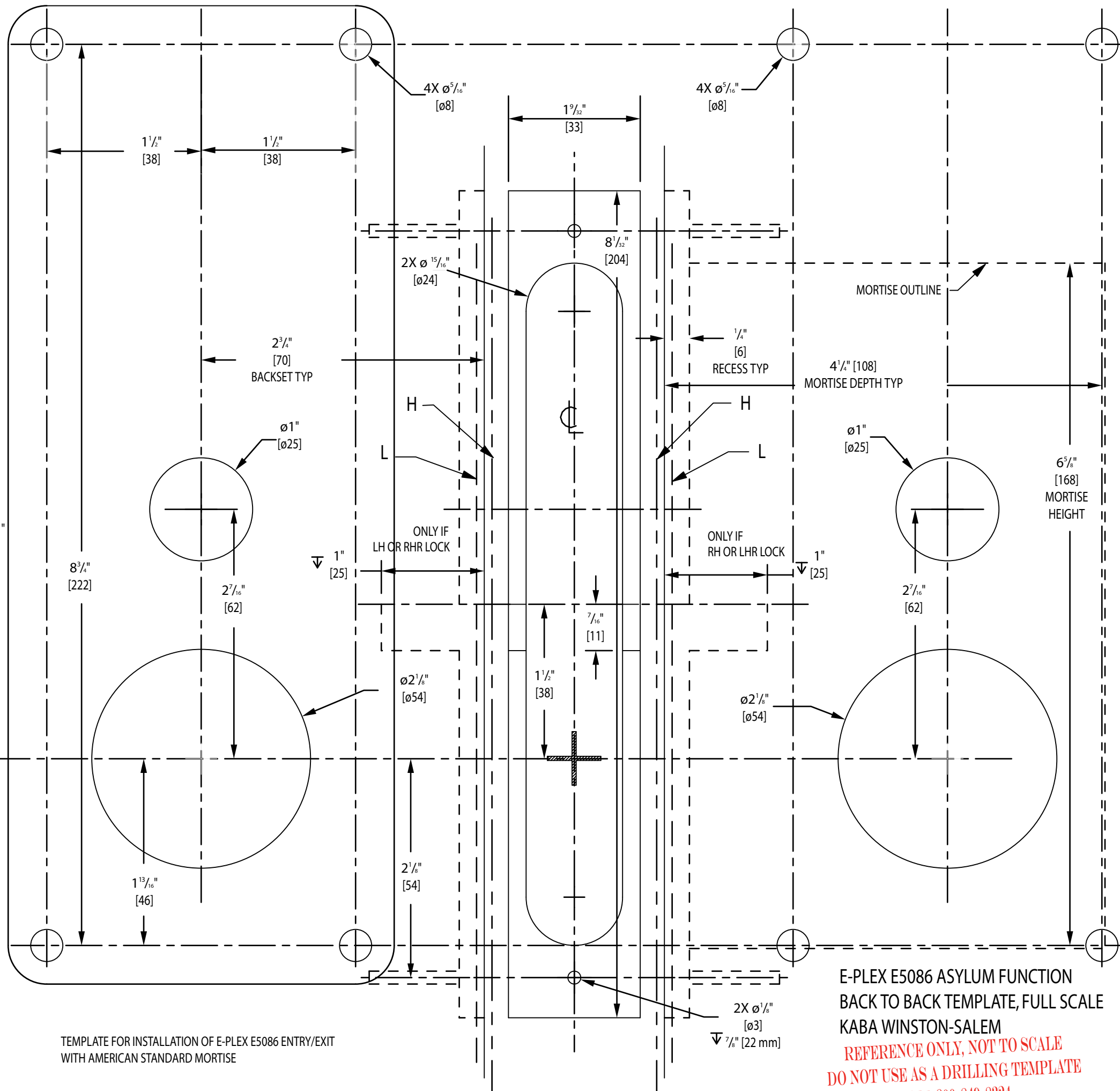
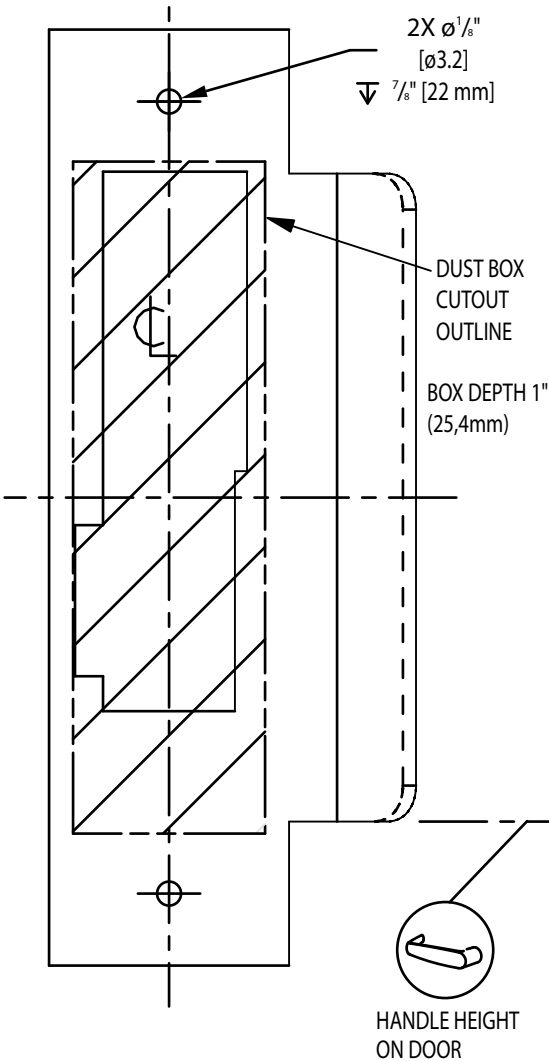
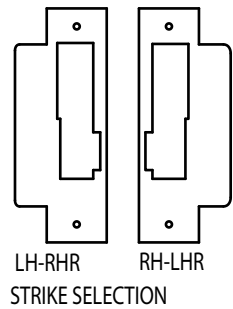


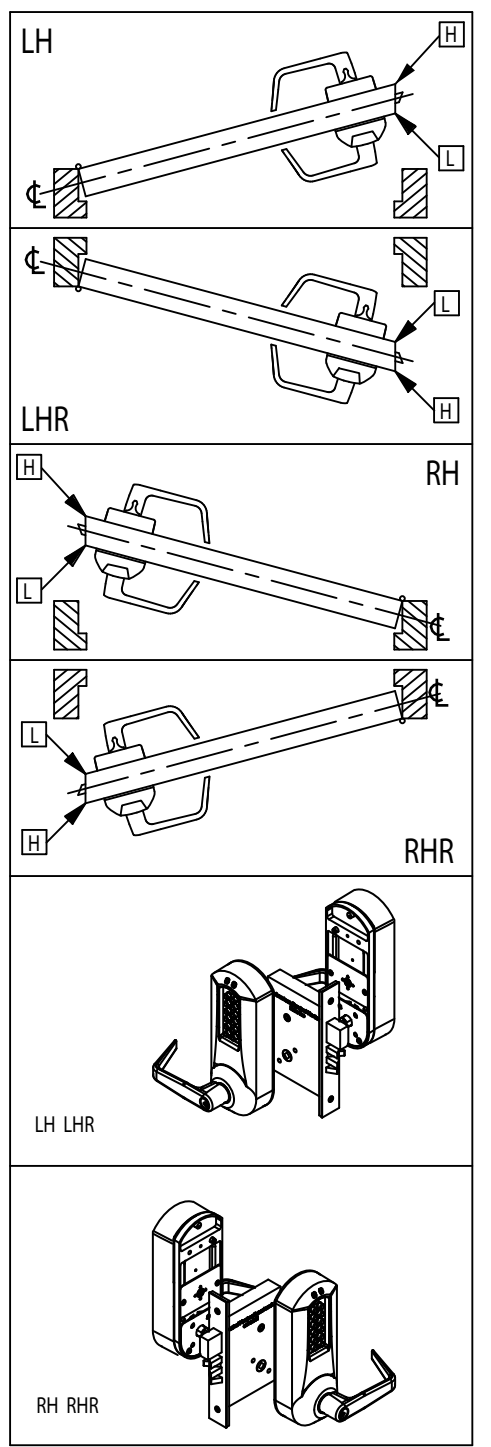
E-PLEX[®] Entry/Exit Mortise Locks Install Template

5086



TEMPLATE FOR INSTALLATION OF E-PLEX E5086 ENTRY/EXIT WITH AMERICAN STANDARD MORTISE

NOTES:
1. OUTLINED AREA (15 W, 11 H) TO BE REPRINTED FULL SCALE AS A MARKING TEMPLATE.



This drawing was simplified for the published drill template included in product package Oct05. Linear dimensions were omitted for marking on the door. Drawing is to scale, dimensions may be rounded to 1/16".

NOTES:
-HIGH AND LOW BEVEL EDGE IDENTIFIED
[H] [L] FOR DOORS WITH 3° BEVEL ANGLE
-SYMBOLS USED:
 ∇ DEEP
 \oplus CENTER LINE OF DOOR
 ϕ DIAMETER

E-PLEX E5086 ASYLUM FUNCTION
BACK TO BACK TEMPLATE, FULL SCALE
KABA WINSTON-SALEM
REFERENCE ONLY, NOT TO SCALE
DO NOT USE AS A DRILLING TEMPLATE
CALL 800-849-8324



2941 Indiana Avenue Winston-Salem, NC 27105 USA
Tel: (800) 849-8324 (336) 725-1331
Fax: (800) 346-9640 (336) 725-3269