

Contents

1	About this manual	1
2	Safety	1
3	Product description	1
4	Mounting	3
5	Wiring diagrams	5
6	Assignment of terminals and switches	6
7	Dismantling and disposal	7

1 About this manual

1.1 Target group

The SCU-UP (SafeRoute® Control Unit for in-wall mounting) must only be mounted by trained electricians with specific knowledge of electromechanical locks, fire safety codes and regulations.

1.2 Intended use

The SCU-UP exclusively serves to open doors on the course of escape routes in case of emergency. May be utilized in a SafeRoute®-System.

1.3 Limitation of liability

The SCU-UP must be used only according to its intended use. Modifications to the product or the use of accessories not authorized by the manufacturer are prohibited.

1.4 Other applicable documents:

- System instructions for the used SafeRoute® license
- Operating instructions for the SafeRoute® system
- Inspection logbook

1.5 Symbols used



ATTENTION

This signal word indicates a situation of potential risk, which could lead to damage to property or the environment if not averted.



TIPS AND RECOMMENDATIONS

This signal word indicates useful information for efficient and trouble-free operation.

1.6 Further labeling



Sequence of action steps



Reference to a chapter



Door opening direction DIN left = opening outwards to the right



Door opening direction DIN right = opening outwards to the left



Components may get damaged from electrostatic discharge

2 Safety



ATTENTION

Property damage from electrostatic discharge.

The control board may get damaged from an electrostatic discharge!

- Ground your own body before touching a component!

3 Product description

The SCU-UP (SafeRoute® Control Unit for in-wall mounting) is a control for doors on escape routes which can be mounted in a flush-mounted box next to the door. In addition, the SCU-UP includes the emergency button which releases the door lock or the automatic close and hold function in case of emergency. Functions and settings of the SCU-UP depend on the used SafeRoute® license (see SafeRoute® system instructions). Without a license card, the SCU functions as emergency button.

SCU-UP

Mounting instructions

WN 059508 45532 – 2019-07

EN

3.1 LED displays

The LEDs are only active if the cover was removed (cover tampering contact is triggered, see chapter 6).
 LED On ——— LED Off ——— LED flashes - - - - -

SLI-LED

License card inserted	—————
License card not inserted	—————
License card defective	- - - - -

DCW®-LED

Bus connection OK	—————
Bus connection interrupted	—————

BTR-LED

(Functions only with inserted license card)

Hardware error (see SafeRoute® system instructions)	—————
Operation	- - - - -

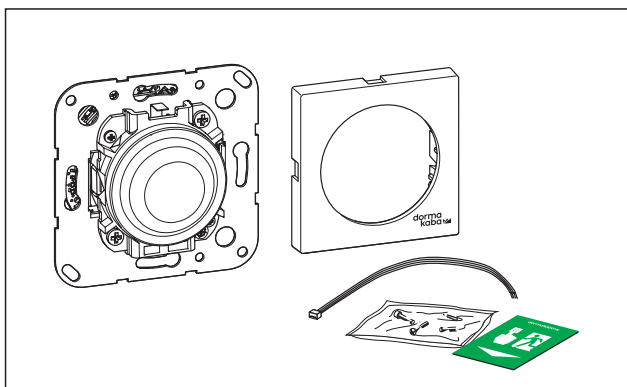
Illuminated ring

Multi-color LED (see SafeRoute® system instructions)

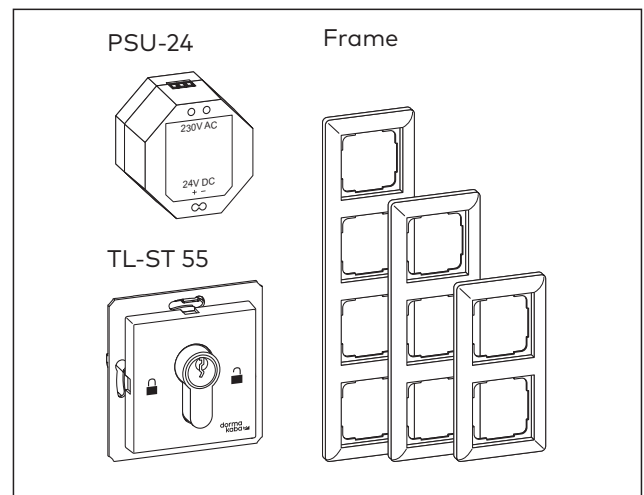
3.2 Technical data

Supply voltage:	24 V DC +/- 15%
Power consumption:	Quiescent current: 65 mA in case of alarm: 100 mA
Ambient temperature:	-10°C to +55°C
Rel. Humidity:	up to 93% (non condensing)
Degree of protection:	IP 30

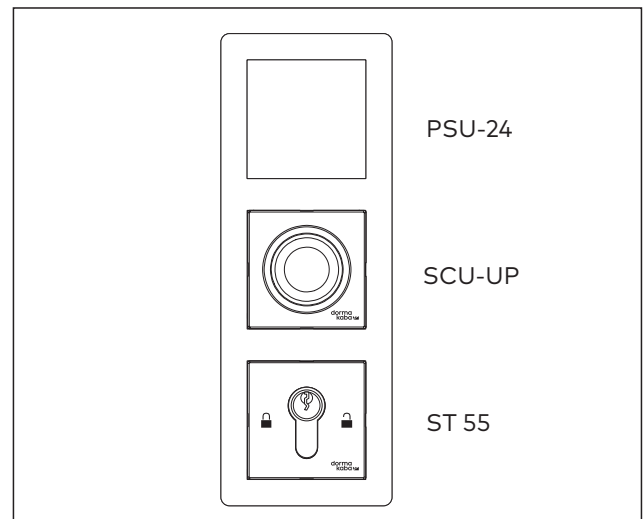
3.3 Parts included



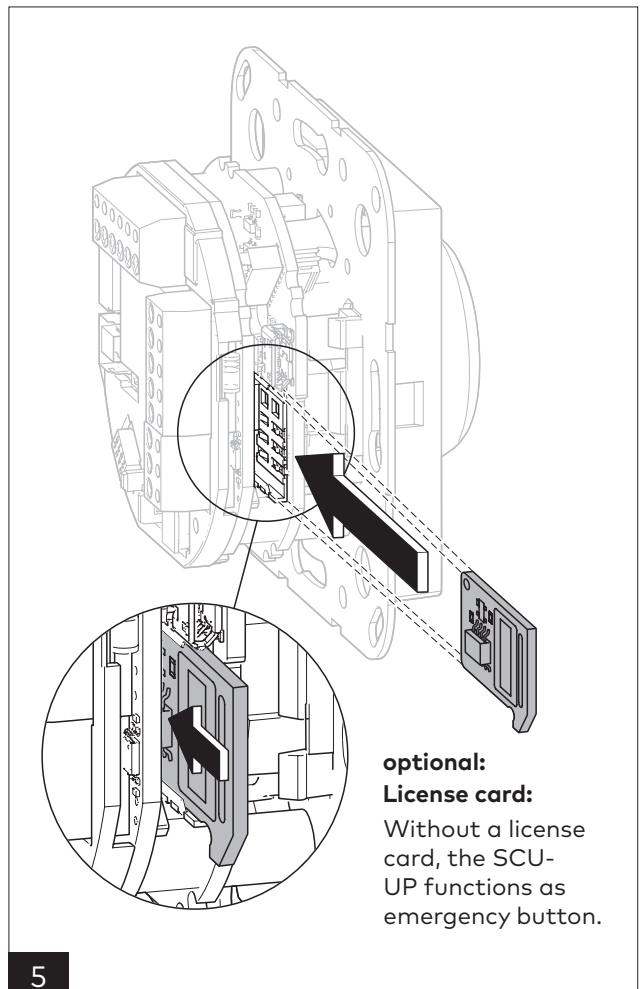
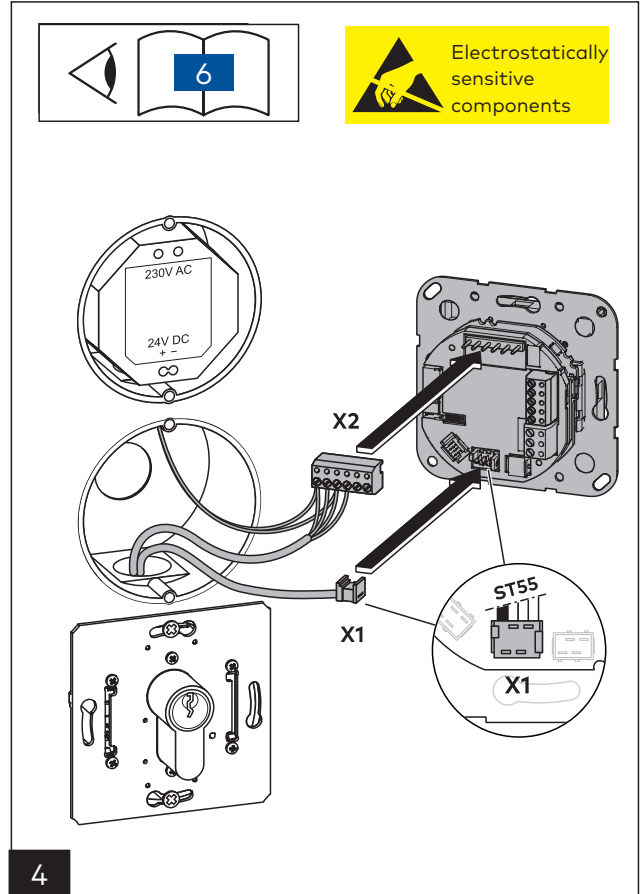
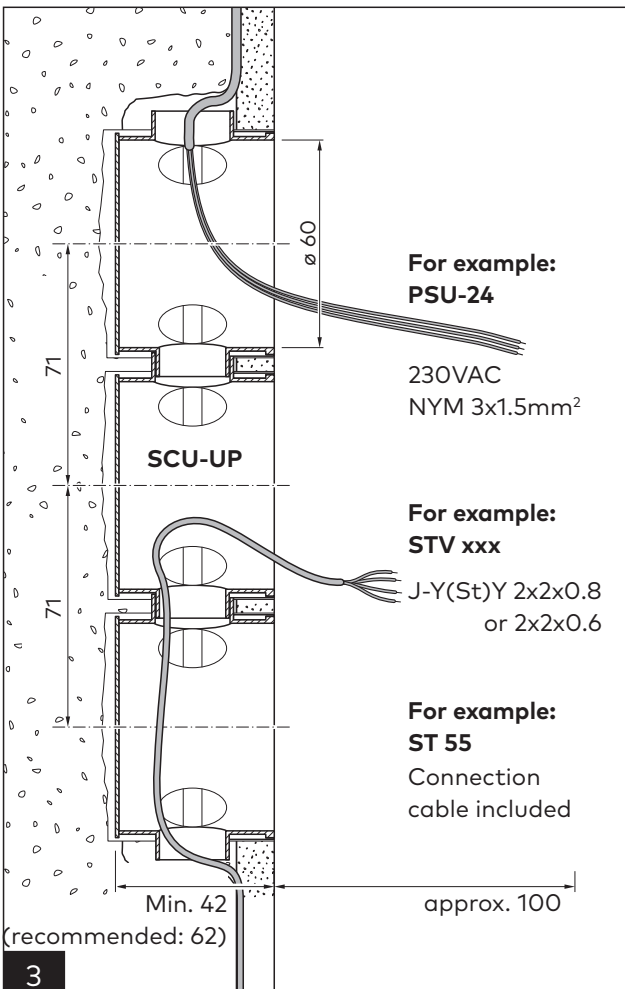
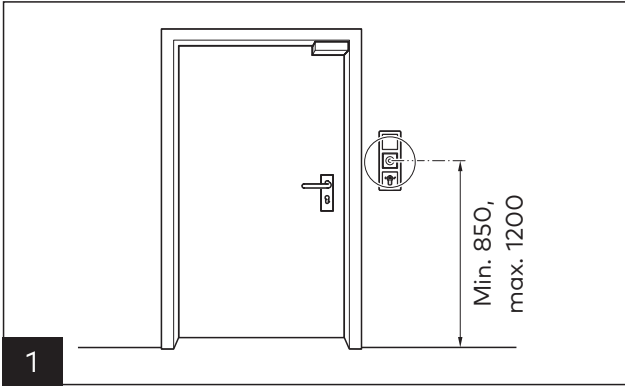
3.4 Options

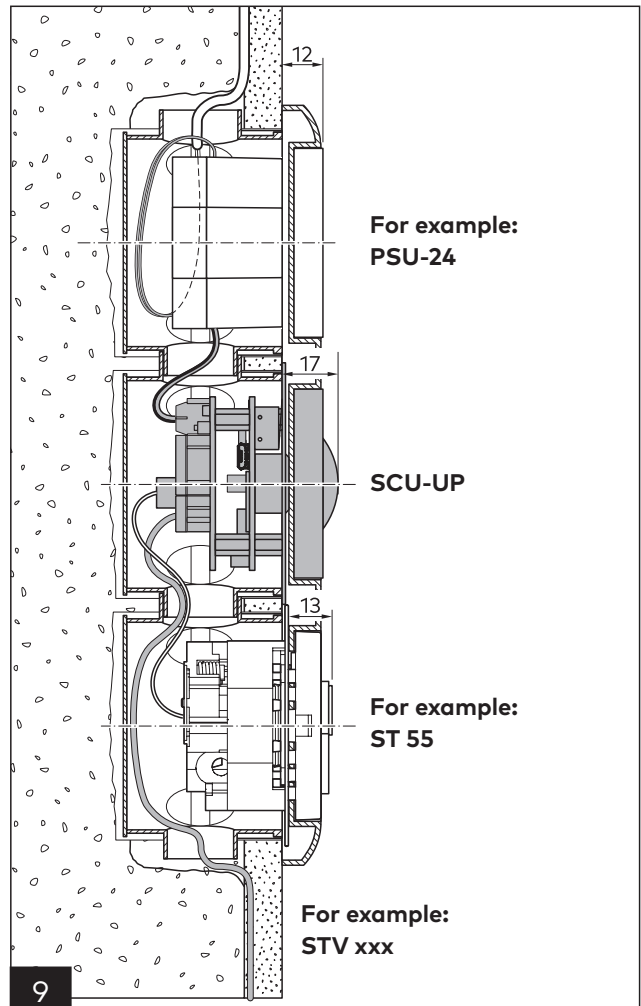
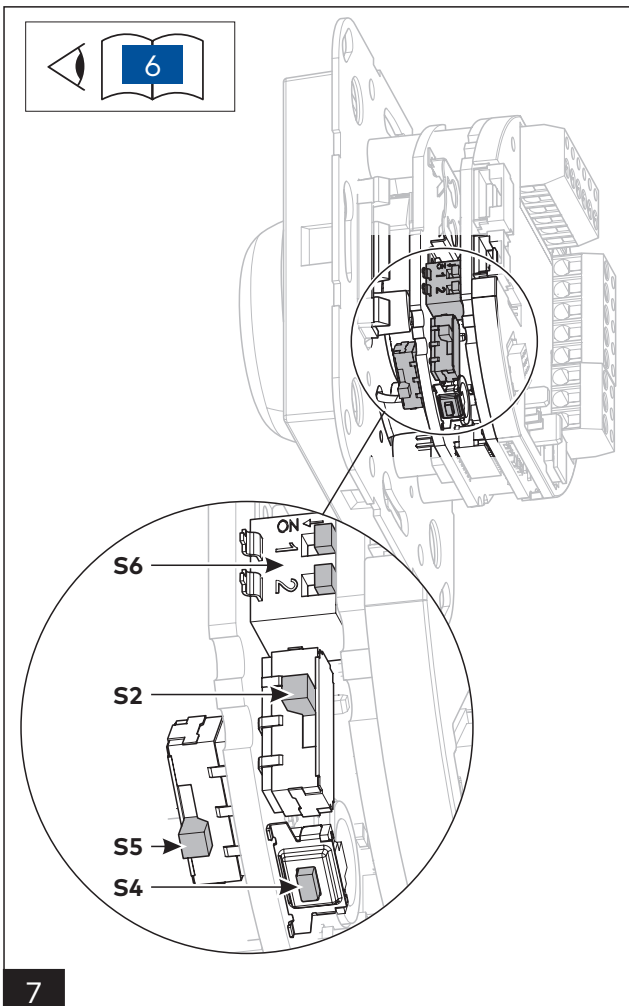
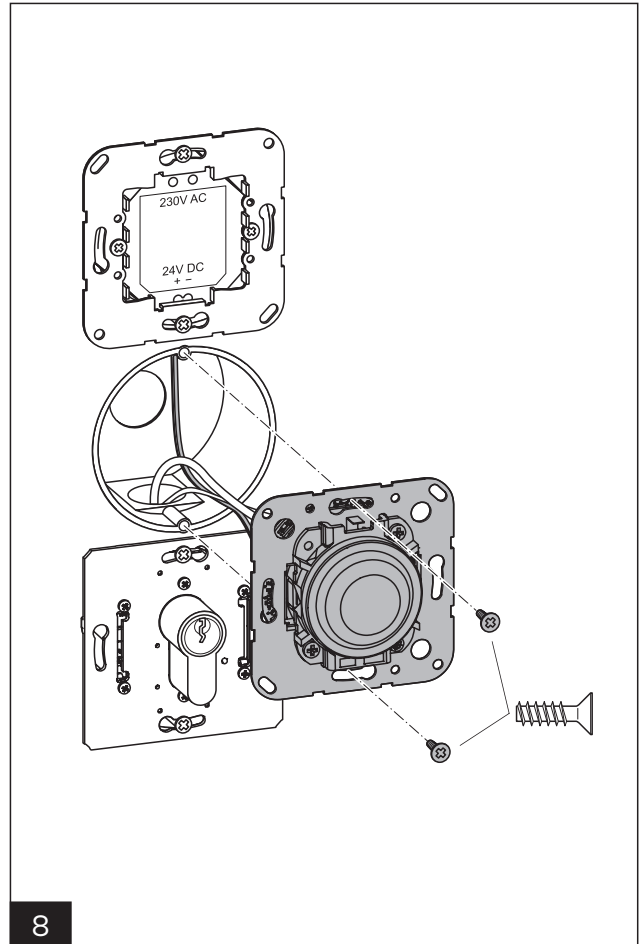
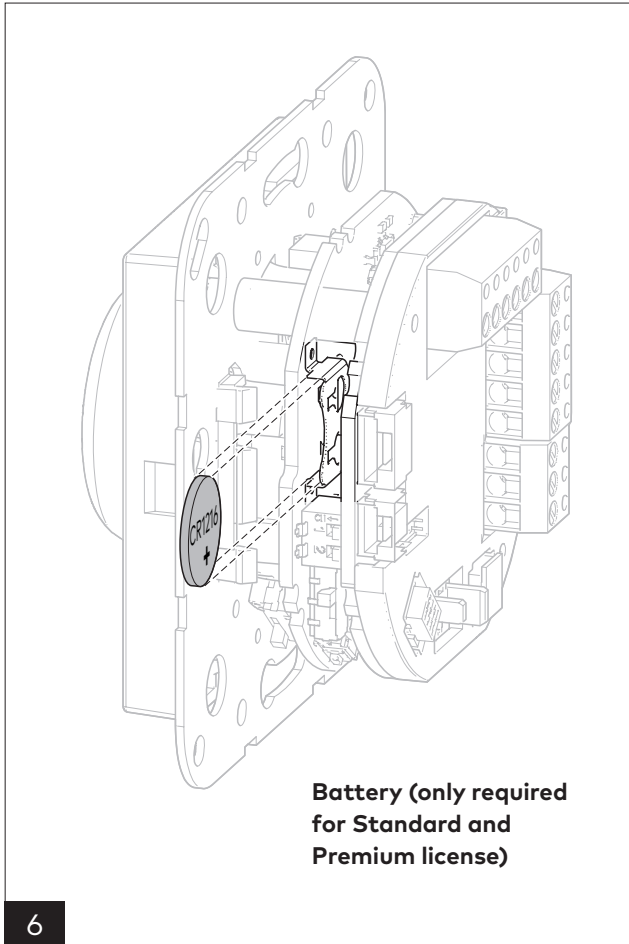


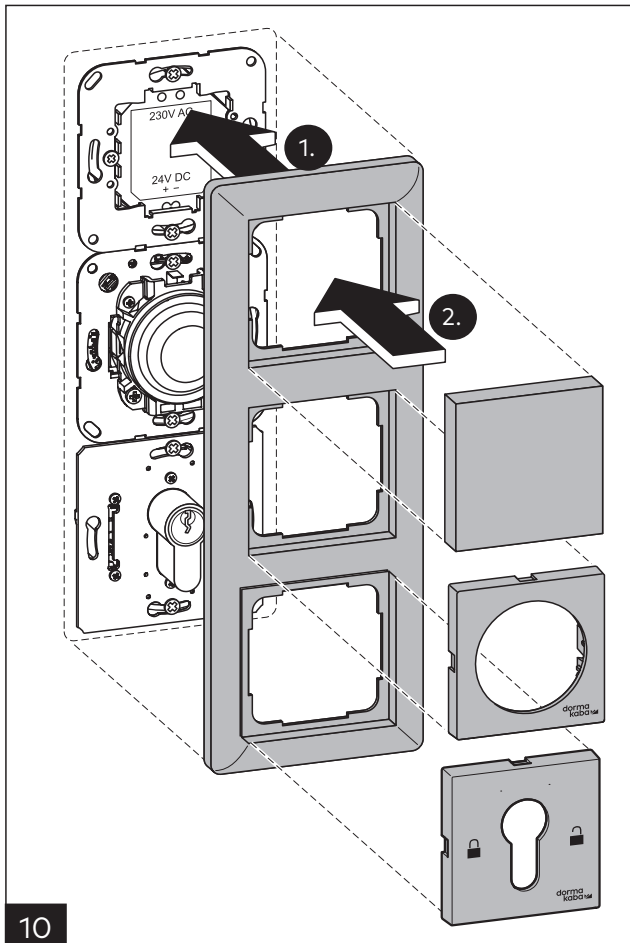
3.5 Mounting example



4 Mounting

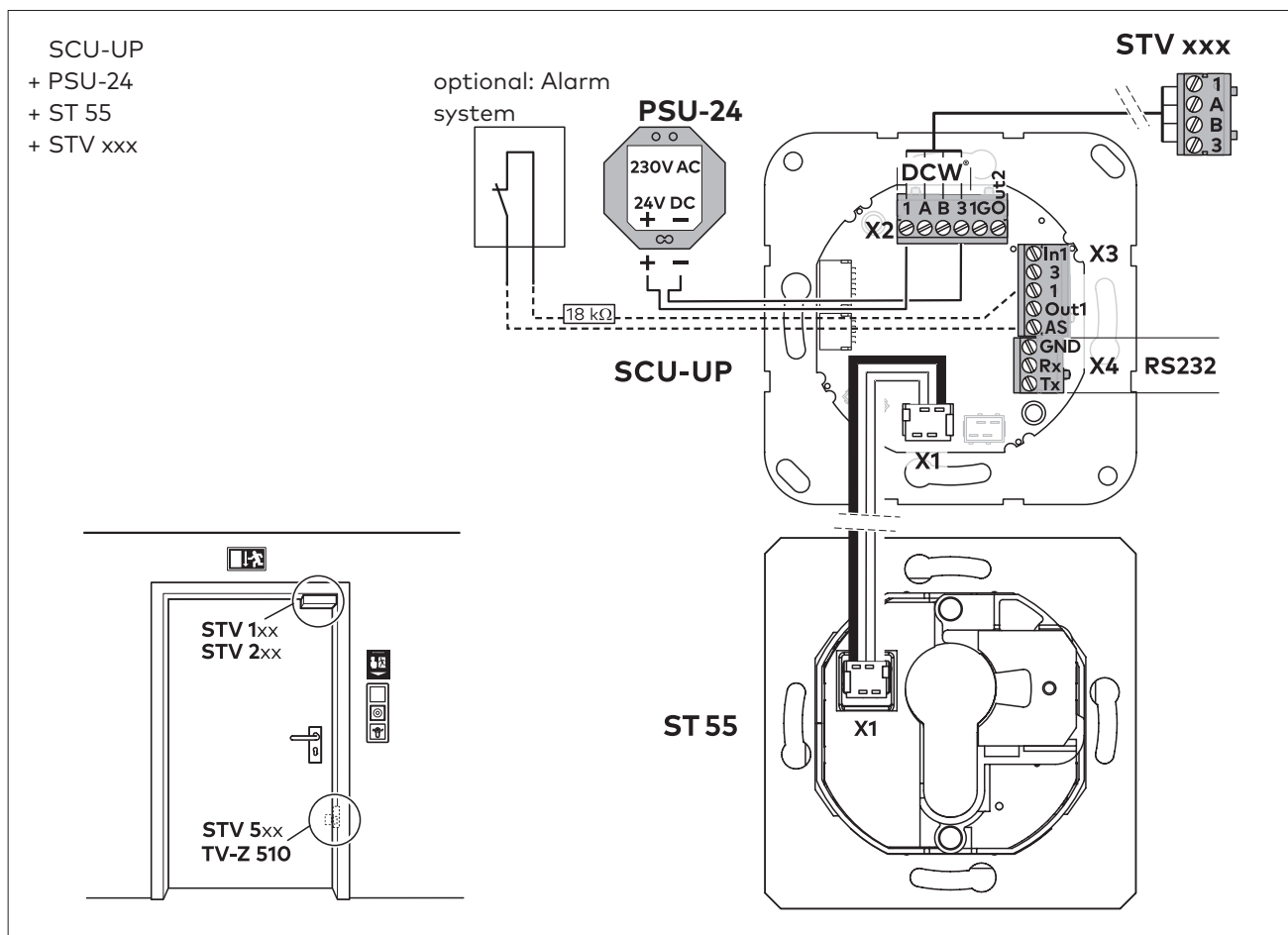


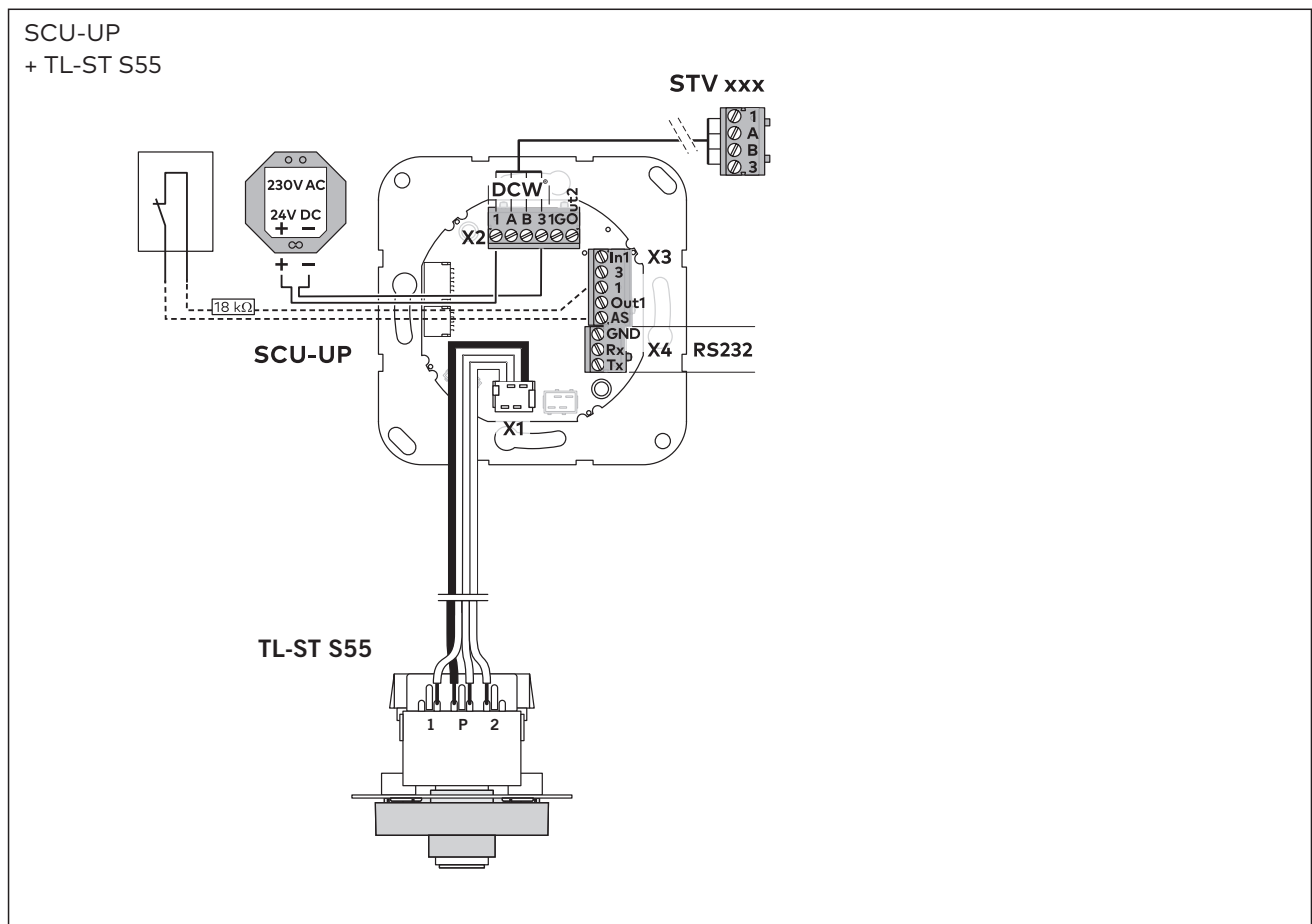




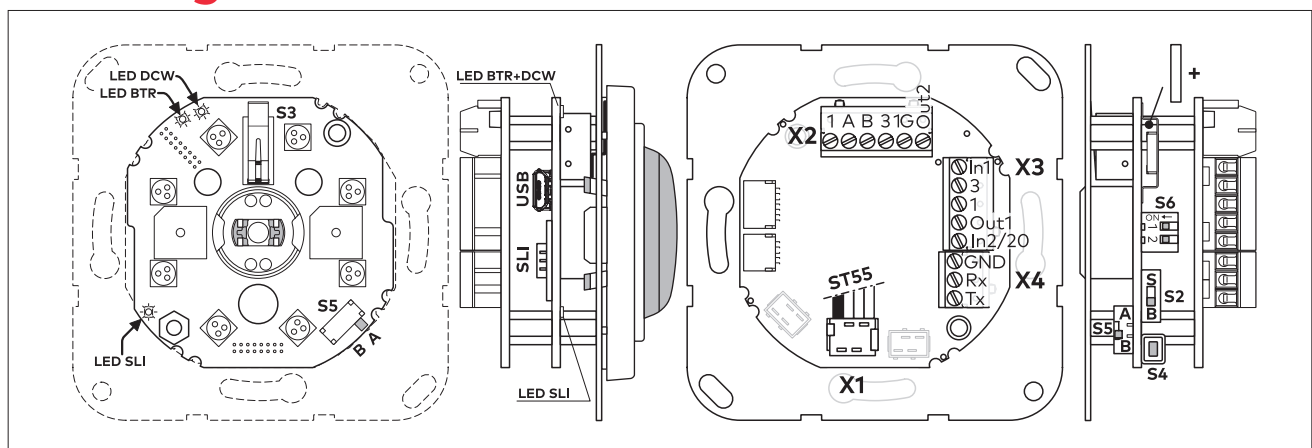
10

5 Wiring diagrams





6 Assignment of terminals and switches

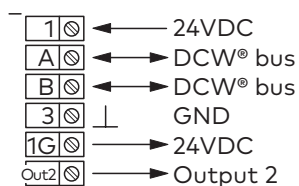


X1



Connection to key switch

X2



stabilized power supply, input

switched voltage (test "Power Reserve Modul M-SVP/SVP")
Common alarm (parametrizable from SLI Basic)

X3		<p>static activation (parametrizable from SLI Basic)</p> <p>+24VDC, output</p> <p>Common alarm (parametrizable from SLI Basic)</p> <p>Alarm system, e.g. BMA or smoke detector (from SLI Basic, modifiable to IN2 using configuration software TMS Soft)</p>																									
X4		RS232 interface (parametrizable form SLI Basic)																									
S2		<p>Service switch for suppression of tampering alarm: B = Operation (housing tampering contact activated) S = Service (housing tampering contact shut off, internal and external tampering messages are suppressed)</p>																									
S3		Cover tampering contact																									
S4		<p>Service button Press service button for 8 seconds = original settings</p>																									
S5		<p>Alarm system switch A = alarm system activated B = alarm system not connected (Default)</p>																									
S6		<p>DIP switch for setting the number of doors (operation of SCU with license card Basic, Standard, or Premium and multi-door application) or the DCW® address of the emergency button (operation of SCU without license card):</p>																									
<table border="1"> <thead> <tr> <th colspan="2">SCU-UP as switchboard</th> </tr> <tr> <th>Number of doors</th> <th>Switch S6</th> </tr> </thead> <tbody> <tr> <td>1</td> <td>0 0</td> </tr> <tr> <td>2</td> <td>1 0</td> </tr> <tr> <td>3</td> <td>0 1</td> </tr> <tr> <td>4</td> <td>1 1</td> </tr> </tbody> </table>		SCU-UP as switchboard		Number of doors	Switch S6	1	0 0	2	1 0	3	0 1	4	1 1	<table border="1"> <thead> <tr> <th colspan="2">SCU-UP as emergency button</th> </tr> <tr> <th>DCW® address</th> <th>Switch S6</th> </tr> </thead> <tbody> <tr> <td>1</td> <td>0 0</td> </tr> <tr> <td>2</td> <td>1 0</td> </tr> <tr> <td>3</td> <td>0 1</td> </tr> <tr> <td>4</td> <td>1 1</td> </tr> </tbody> </table>		SCU-UP as emergency button		DCW® address	Switch S6	1	0 0	2	1 0	3	0 1	4	1 1
SCU-UP as switchboard																											
Number of doors	Switch S6																										
1	0 0																										
2	1 0																										
3	0 1																										
4	1 1																										
SCU-UP as emergency button																											
DCW® address	Switch S6																										
1	0 0																										
2	1 0																										
3	0 1																										
4	1 1																										
SLI		Slot for license card																									
USB		USB connection, optional																									
Battery		<p>Type CR 1216/3V (only required for Standard/Premium license)</p>																									

7 Dismantling and disposal

Dismantling is carried out in reverse order of the mounting instructions.



The product must not be disposed of in domestic waste.

Dispose of the product in an environmentally friendly manner at the arranged acceptance and collection points.

Refer to the statutory regulations for your country.