



Manual Sliding Door Systems

Technical brochure 2021

MUTO
RS 120/
RS 120 Synchro
MANET Compact/
Concept
Accessories

dormakaba 

Content



06 **MUTO**
Manual sliding door system with track system integrated functional elements



116 **RS 120**
Manual sliding door system with clamp fittings and cover profile



126 **MANET**
Single-point fitting system, stainless steel, for manual sliding doors



152 **Wall connection profile**
Bearing wall connecting profile system



158 **Accessories**



172 **Safety-related information**

Design your rooms the way you want them

Whether for living or office areas, wherever elegant transitions from one room to another need to be provided, toughened glass assemblies offer the architectural elegance of open, transparent, inviting access.

Sliding doors also add a certain lightness and a more generous appearance to small rooms. Easy-to-install solutions mean that your space-defining idea in glass can be readily made reality.

MUTO

The manual sliding door system for timber panels. Compact, flexible and with a wide range of options. Simple installation and adjustability from the front. Convenience "Comfort" options such as automatic closing function and integrated battery-operated lock eliminating the need for an external power supply MUTO is also available as telescopic variant.

Applications and features	MUTO M 60	MUTO L 80	MUTO Premium XL 80/150	
Suspended sliding door	●	●	●	
Integrated / concealed carrier	●	●	●	
1 panelled sliding door	●	●	●	
2 panelled bi-parting sliding door		●	●	
Integrated locking device		●	●	
Status indicator		●	●	
Suspended ceilings		●	●	
Self-Closing				
Synchro version		●	●	
Telescopic function (panel moves in sync)				
End-position engage cushioning	●	●	●	
Installation at wall	●	●	●	
Installation at wall; version with large glass-to-wall clearance for bridging existing frames + direct track fixing to wall	●	●	●	
Installation at ceiling	●	●	●	
Fixed at glass		●	●	
Safe use of laminated safety glass elements	●	●	●	
System integration of fixed side panels	●	●	●	
Timber sliding door possible	●	●	●	
Curved systems				
Panel attachment with no glass preparation ¹⁾	●	●	●	
Max. sliding panel weight	60 kg	80 kg	80 / 150 kg	
Min. sliding panel width (mm)	without DORMOTION with DORMOTION	600 ^{3) 6)} 600 ^{3) 6)}	660 ³⁾ 660 ³⁾	660 ³⁾ 660 ³⁾
Max. sliding panel width (mm)	1,300	2.000 ⁷⁾	2.500 ⁷⁾	
Max. sliding panel height (mm)	2,500	3,000	3,000	
Glass thicknesses (mm) sliding panel	8 – 12	8 – 13.5	8 – 13.5	
Glass type	TSG / LSG ^{4) 5)}	TSG / LSG ^{4) 5)}	TSG / LSG ^{4) 5)}	
Wood thickness (mm) sliding panel	28 – 50	28 – 50	28 – 50	
Glass thicknesses (mm) integrated sidelights	8 – 13.5	8 – 13.5	8 – 13.5	
Page	22	32	50	

1) Glass machining only necessary for individual thumbturn or other handle types.

2) 120 kg for glass or timber panels with two carriers. 150 kg for glass panels with three carriers.

3) To ensure optimal operation, we recommend an aspect ratio of 1:2 or 1:3

4) LSG with accessory set LSG

5) LSG consisting of 2 x TSG

6) After consultation: without DORMOTION min. 400 mm possible, with DORMOTION min. 550 mm possible

RS 120

Robust clamp-type carriers designed for glass or timber panels up to 120 kg. The visible system surface and finish is achieved on the basis of clip-on cover profiles.

MANET

The basic module is the single-point fixing inserted in counter-sunk holes to ensure that it is flushed with the glass surface – just one of its visual highlights.

MUTO Premium Self-Closing 120	MUTO Premium Telescopic 80	RS 120	MANET Compact	MANET Concept
●	●	●	●	●
●	●	●		
●	● (2 panels, move in sync)	●	●	●
●	● (2x2 panels, move in sync)	●	●	●
●	●			
●	●			
●	●			
●	●			
		●		
	●			
●	●			
●	●	●	●	●
●	●		●	
●	●	●		
●	●		●	●
●	●			●
●	●	●	●	●
●	●	●		
●	●	●		
120 kg	2 x 80 kg	120 / 150 kg	100 kg	120 kg
660 ³⁾	from page 92 onwards	500 ³⁾	500 ³⁾	500 ³⁾
850 ³⁾				
1,500 ⁸⁾	from page 92 onwards	1,500 ⁷⁾	1,200 ⁷⁾	1,500 ⁷⁾
3,000	3,000	3,000	2,500	3,000
8 – 13.5	8 – 13.5	8, 10, 12	8, 10, 12	8 – 17.5
TSG / LSG ^{4) 5)}	TSG / LSG ^{4) 5)}	TSG	TSG	TSG / LSG
28 – 50	28 – 50	26 – 38		20 – 40 ³⁾
8 – 13.5	8 – 13.5		10, 12	10 – 17.5
70	88	116	126	136

7) From 1,500 mm glass panel width, we recommend using the MUTO floor profile guide with brushes (Art. No. 36.562). The glass dimensions may differ due to the following factors: type of installation, glass tolerances, general usage considerations. The use of clamp fittings on structured glass surfaces (except for satinised glass) or glasses with large variations in glass thickness is only permitted with the application of a levelling layer.

8) Max. travel 1,450 mm

- Standard
- Optional

Content

MUTO

08

General information

- Features / Benefits
- Laminated safety glass
- Program overview
- Feasible panel width

22

MUTO Comfort M 60

- Type illustrations
- Fitting modules
- Component parts

32

MUTO Comfort L 80

- Type illustrations
- Fitting modules
- Component parts

50

MUTO Premium XL 80/150

- Type illustrations
- Fitting modules
- Component parts

70

MUTO Premium Self-Closing 120

- Type illustrations
- Fitting modules
- Component parts

88

MUTO Premium Telescopic 80

- General information
- Type illustrations
- Component parts

158

Accessories

172

Safety-related information



MUTO

General information

MUTO

The systems are based on a thoroughly modular construction principle, enabling them to be adapted to different requirements.

Weight classes

- 60 kg
- 80 kg
- 150 kg

Activity rate, longevity

- ≥ 50,000 cycles at 60 kg variant
- ≥ 100,000 cycles at 80 kg variant
- ≥ 200,000 cycles at 80/150 kg variant
- Self-Closing, max. 120 kg
- Telescopic, max. 2 x 80 kg

DORMOTION – the elegant damping mechanism



Integrated electromechanical lock – discretion assured



Status indicator – everything under control



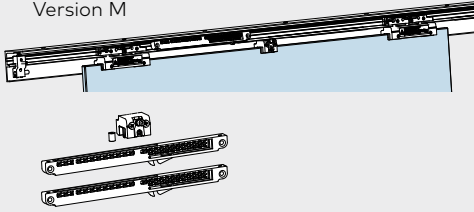
Self-Closing – hassle-free



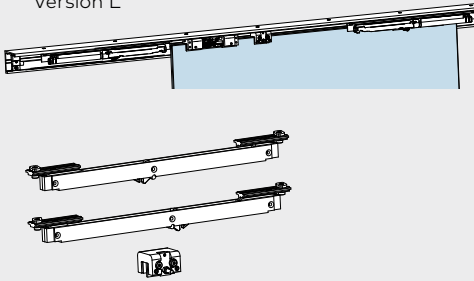
Retrofittable and safe

Product description

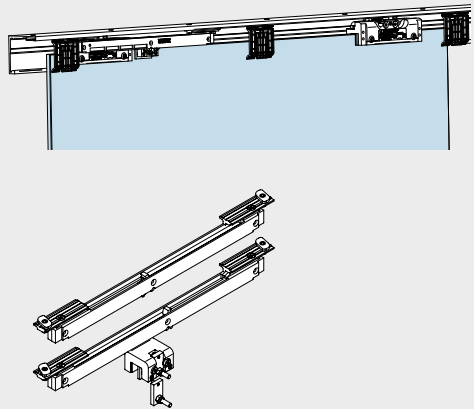
Version M



Version L



Version XL



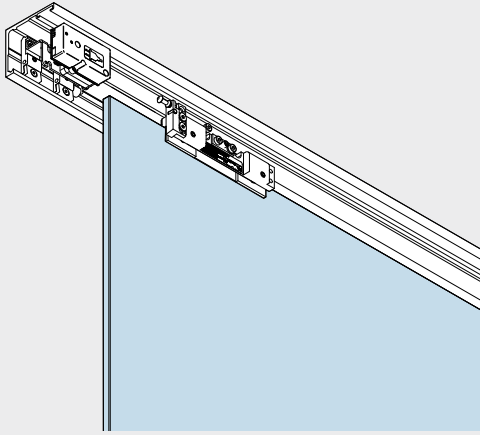
DORMOTION Comfort M, L, Premium XL (damping mechanism)

- Retrofittable in existing systems
(without the need for disassembly)

When using a DORMOTION damping unit,
we recommend installation of a pull handle.

Product description

Integrated lock



Integrated lock and status indicator

Integrated lock (only in conjunction with the DORMOTION damping mechanism)

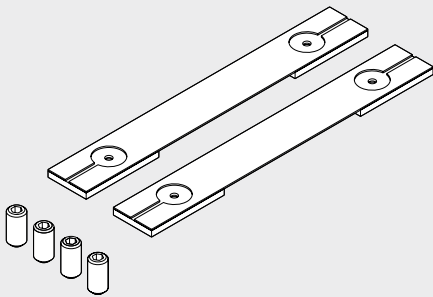
- Retrofittable (ensure compliance with profile dimensions)
- Battery-operated, alternatively also available as transformer version
- Not suitable as a security barrier
- Not suitable for outdoor facilities
- Applies to the following "Comfort" systems:
 - MUTO Comfort L
 - MUTO Premium XL
 - MUTO Premium XL Telescopic
 - MUTO Premium Self-Closing

Status indicator (only in conjunction with the DORMOTION damping mechanism)

- Cable entry required
- Not suitable for outdoor facilities
- Applies to the following "Comfort" systems:
 - MUTO Comfort L
 - MUTO Premium XL
 - MUTO Premium XL Telescopic
 - MUTO Premium Self-Closing

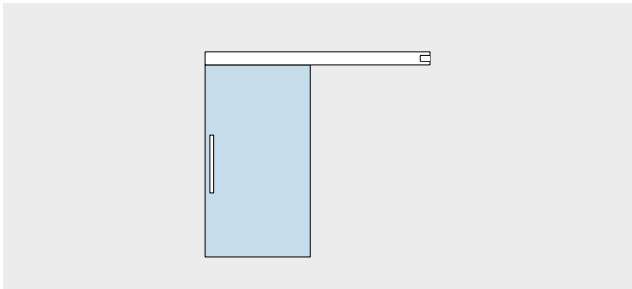
Secure hold for laminated safety glass without any mechanical glass preparation thanks to Clamp&Glue technology

- Easy retrofitting of the carriers with LSG accessory set
- No unwanted LSG phenomena:
 - No bubble formation
 - No laminate slippage
 - No glass fracture as a result of excessive clamping forces
 - No negative influence of temperature change (foil disappears)
- Applies to the following "Comfort" systems:
 - MUTO Comfort M
 - MUTO Comfort L
 - MUTO Premium XL
 - MUTO Premium XL Telescopic
 - MUTO Premium Self-Closing

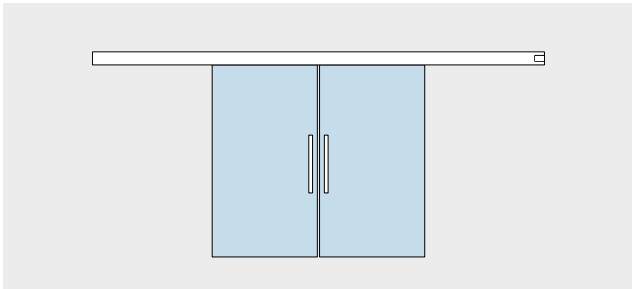


Installations

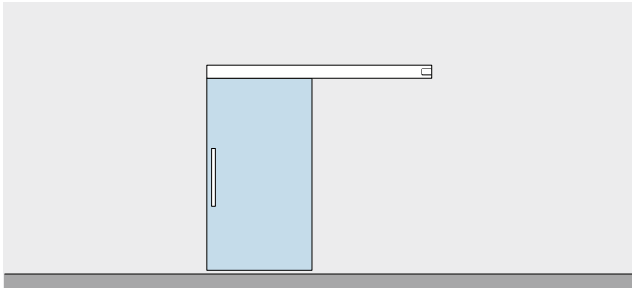
With one sliding panel



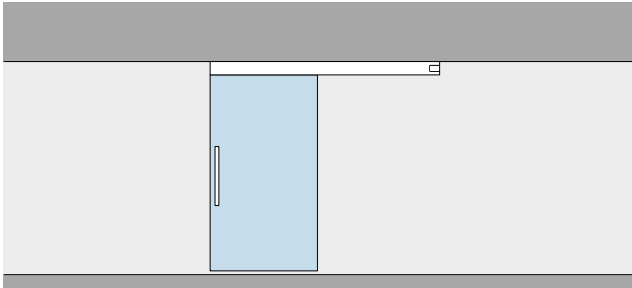
With two sliding panels



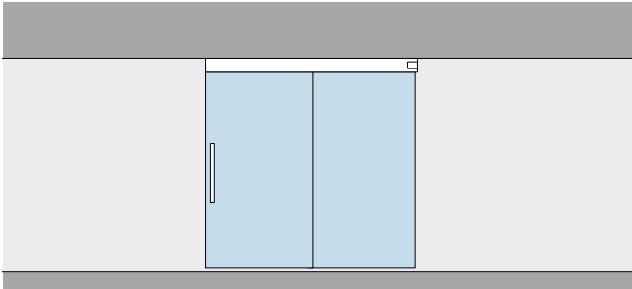
Fixed at wall



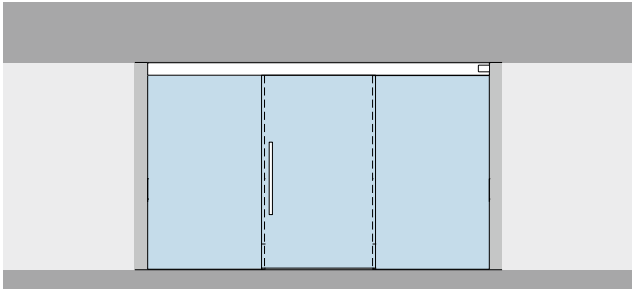
Fixed at ceiling



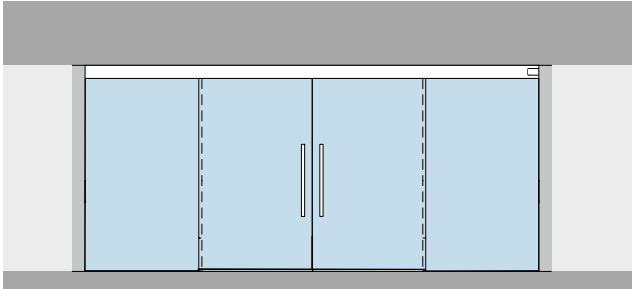
Fixed at transom with sidelight



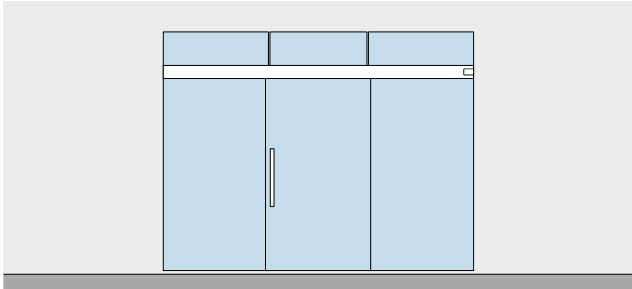
Fixed at transom with sidelight



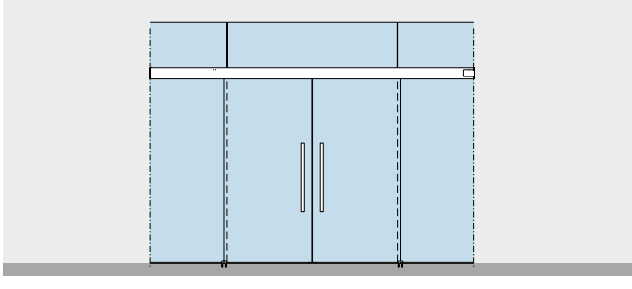
Fixed at ceiling with sidelights



Fixed at glass – with glass fanlight and glass sidelights

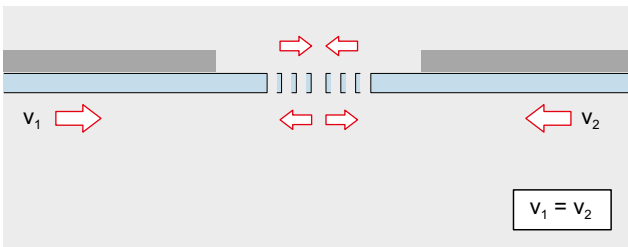
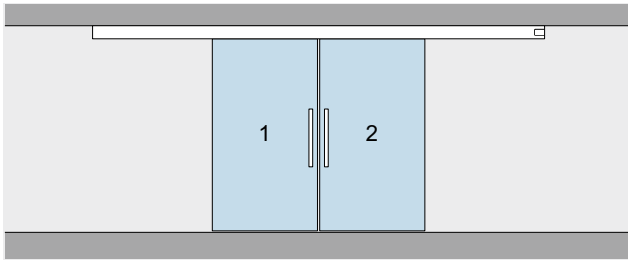


Fixed at glass – with glass fanlight and glass sidelights

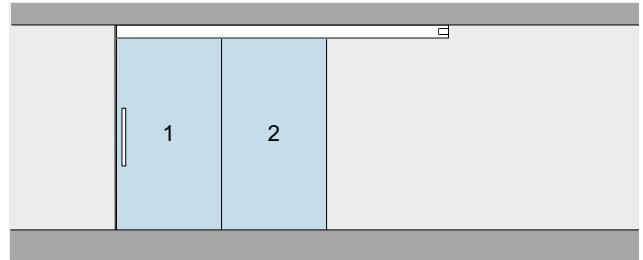


Functionalities

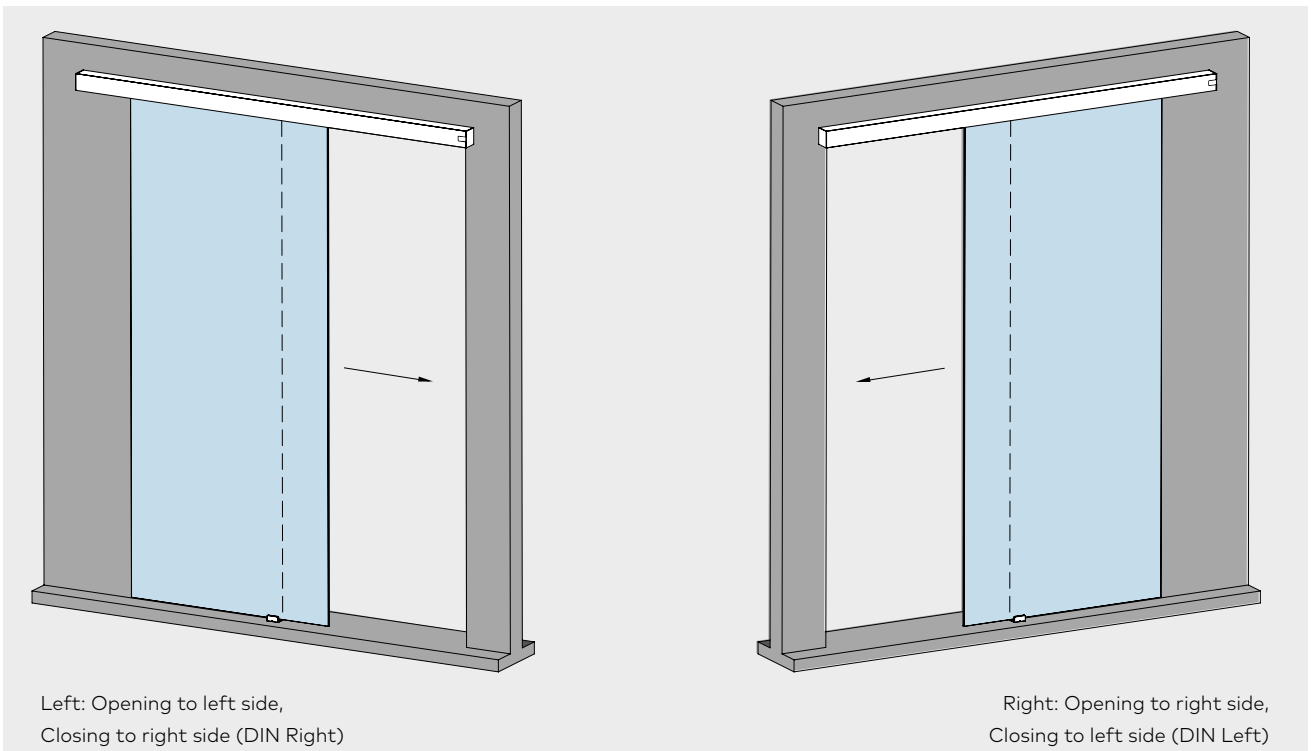
Synchro



Telescopic



Self-Closing/Telescopic



DIN requirements and test reports

The MUTO fittings are tested by the Prüfinstitut Schlosser und Beschläge (PIV) by the building authority recognised and accredited according to DIN ISO 17025. It is confirmed that the MUTO fittings comply with the corresponding DIN requirements and have thus been classified. We would be pleased to provide you with the test reports of the respective MUTO systems via our application engineering department as PDF documents.

PIV Prüfinstitut Schlosser und Beschläge Velbert Wallstraße 41 D-42551 Velbert Fon +49(0)2051/9506-5 Fax +49(0)2051/9506-69 info@piv-velbert.de www.piv-velbert.de



PRÜFZEUGNIS

DIN EN 1527:2020-04

TEST CERTIFICATE

Nr./ No. 62-2/20

Der Firma
We confirm, that the company

DORMA-Glas GmbH
Max-Planck-Straße 33
D-32107 Bad Salzuffe

wird bescheinigt, dass sie am
at the date of

23. September 2020

PIV Prüfinstitut Schlosser und Beschläge Velbert Wallstraße 41 D-42551 Velbert Fon +49(0)2051/9506-5 Fax +49(0)2051/9506-69 info@piv-velbert.de www.piv-velbert.de



PRÜFZEUGNIS

DIN EN 1527:2020-04

TEST CERTIFICATE

Nr./ No. 62-1/20

Der Firma
We confirm, that the company

DORMA-Glas GmbH
Max-Planck-Straße 33-45
D-32107 Bad Salzuffen

wird bescheinigt, dass sie am
at the date of

23. September 2020

die Anforderungen der DIN EN 1527
has met the requirements of DIN EN 1527

für das Produkt
for the product

MUTO Comfort L 80 DORMOTION

in der Ausführung
in the version

Schiebebeschlag/ Sliding hardware

entsprechend dem folgenden Klassifikationsschlüssel erfüllt hat:
that complies with the following classification key

Tür-/Tür- kategorie Door/ gate category	Tür-/Tür- masse Door/ gate mass	Größe der verwendeten Prüflage Size of the test sashes used	Korrosions- beständigkeit Corrosion resistance	Beständigkeit gegen Zuschlagen Resistance to slashing	Beständigkeit bei horizon- taler statischer Beanspruchungs- prüfung Resistance to horizontal static load test	Beständigkeit bei statischer Beanspruchungs- prüfung Resistance to static stress test	Zuverlässiger Höchstwert der Anfangs- prüfung Permissible maximum value of initial kick-in	Dauer- funktions- fähigkeit Durability test
1	2	2	3	3	3	1	3	6

Diesem Prüfzeugnis liegt der Prüfbericht Nr. 62-1/20 des PIV als Beurteilungsgrundlage zugrunde. Die Gültigkeit des Prüfzeugnisses bleibt so lange erhalten, wie sich die Prüfgrundlage und / oder das geprüfte Produkt nicht ändern. Das Prüfzeugnis hat insgesamt 1 Seite. This certificate is based on the evaluation of test report no. 62-1/20 by PIV. The validity of the test certificate will persist as long as the testing-base and the products are not changed. This test certificate has a total of 1 page.

D-42551 Velbert, 30. September 2020

A. Horsthemke (B.Eng.)
Institutsleiterin/ Director of Institute



S. Holz, Staatl. gepr. Techniker/
State-certified technical engineer
Prüfer/ Verifier

Dies ist eine Urkundenseite.
Teilweise Veröffentlichung oder veränderte Wiedergabe ist untersagt. Missachtung bedeutet Urkundenfälschung.
This is a document page. Partly publications or changes are forbidden. Disregard means document forgery.

Akkreditierte Prüfstelle nach DIN EN ISO/IEC 17025
Akkreditierte Zertifizierungsstelle nach DIN EN ISO/IEC 17065
PifP, Überwachungs- und Zertifizierungsstelle nach der EU-BauPVO
Überwachungs- und Zertifizierungsstelle nach Landesbauordnung (LBO)
RAL-Prüfstelle für Schlosser und Beschläge - IGH-CERTCO anerkannte Prüfstelle

Institutsleitung:
Andrea Horsthemke (B.Eng.)
Es gelten unsere
Geschäftsbedingungen



Deutsche
Akkreditierungsstelle
D-PL-11024-01-00

PIV Prüfinstitut Schlosser und Beschläge Velbert Wallstraße 41 D-42551 Velbert Fon +49(0)2051/9506-5 Fax +49(0)2051/9506-69 info@piv-velbert.de www.piv-velbert.de



PRÜFZEUGNIS

DIN EN 1527:2020-04

TEST CERTIFICATE

Nr./ No. 62-3/20

Der Firma
We confirm, that the company

DORMA-Glas GmbH
Max-Planck-Straße 33-45
D-32107 Bad Salzuffen

wird bescheinigt, dass sie am
at the date of

23. September 2020

PIV Prüfinstitut Schlosser und Beschläge Velbert Wallstraße 41 D-42551 Velbert Fon +49(0)2051/9506-5 Fax +49(0)2051/9506-69 info@piv-velbert.de www.piv-velbert.de



PRÜFZEUGNIS

DIN EN 1527:2020-04

TEST CERTIFICATE

Nr./ No. 62-3/20

Der Firma
We confirm, that the company

DORMA-Glas GmbH
Max-Planck-Straße 33-45
D-32107 Bad Salzuffen

wird bescheinigt, dass sie am
at the date of

23. September 2020

erfüllt die Anforderungen der DIN EN 1527
fulfills the requirements of DIN EN 1527

MUTO Premium XL 80/150 DORMOTION

Schiebebeschlag/ Sliding hardware

entsprechend dem folgenden Klassifikationsschlüssel erfüllt hat:
classification key

Größe der erwendeten Prüflage Size of the test sashes used	Korrosions- beständigkeit Corrosion resistance	Beständigkeit gegen Zuschlagen Resistance to slashing	Beständigkeit bei horizon- taler statischer Beanspruchungs- prüfung Resistance to horizontal static load test	Beständigkeit bei statischer Beanspruchungs- prüfung Resistance to static stress test	Zuverlässiger Höchstwert der Anfangs- prüfung Permissible maximum value of initial kick-in	Dauer- funktions- fähigkeit Durability test
4	3	3	3	1	3	6

Der Prüfbericht Nr. 62-3/20 des PIV als Beurteilungsgrundlage zugrunde. Das Prüfzeugnis bleibt so lange erhalten, wie sich die Prüfgrundlage und / oder das geprüfte Produkt nicht ändern. Das Prüfzeugnis hat insgesamt 1 Seite. This certificate is based on the evaluation of test report no. 62-3/20 by PIV. The validity of the test certificate will persist as long as the testing-base and the products are not changed. This test certificate has a total of 1 page.

S. Holz, Staatl. gepr. Techniker/
State-certified technical engineer
Prüfer/ Verifier

Veränderte Wiedergabe ist untersagt. Missachtung bedeutet Urkundenfälschung.
Disregard means document forgery.

ISO/IEC 17025
DIN EN ISO/IEC 17065
Akkreditierte Prüfstelle nach der EU-BauPVO
Prüfstelle nach Landesbauordnung (LBO)
IIGe - IGH-CERTCO anerkannte Prüfstelle

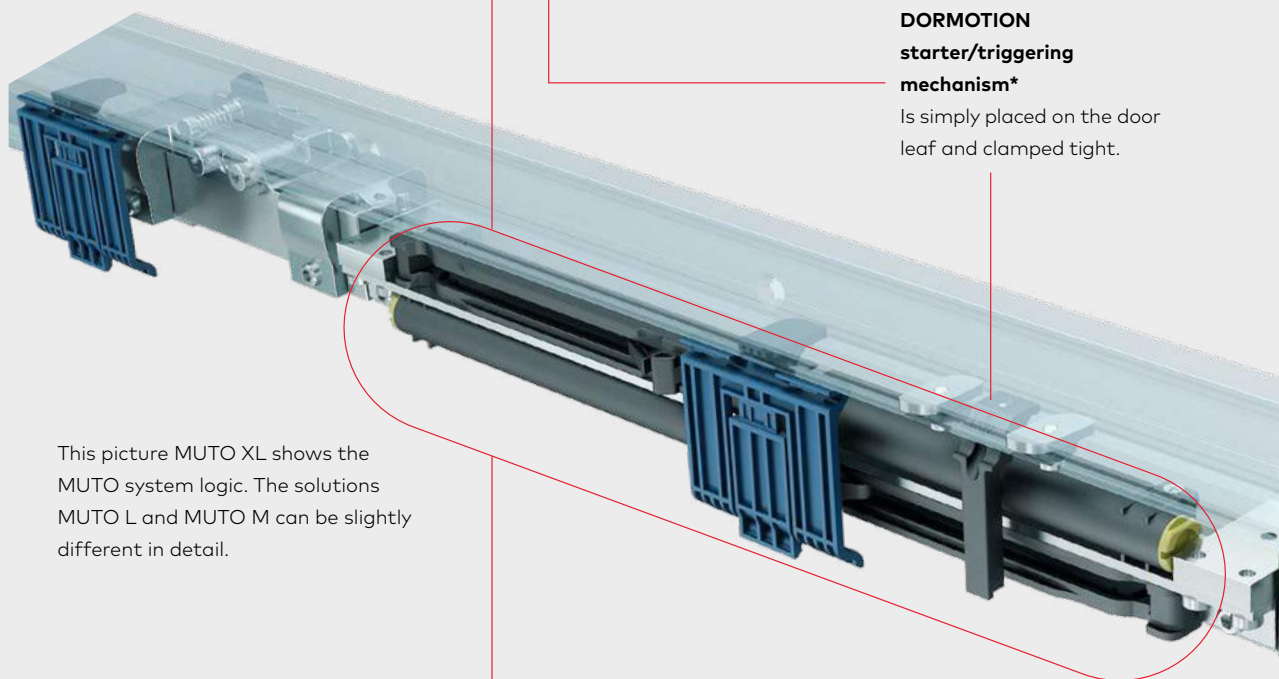
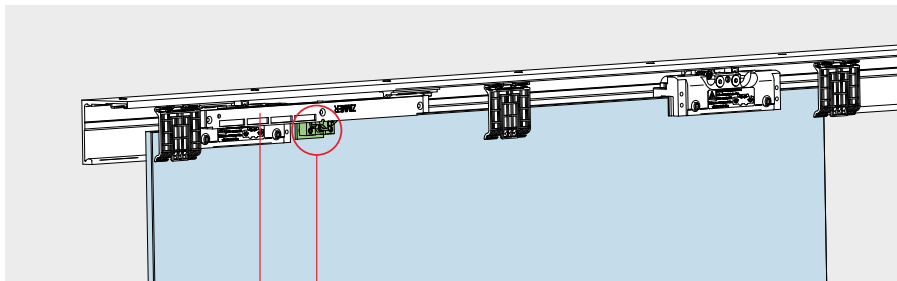
Institutsleitung:
Andrea Horsthemke (B.Eng.)
Es gelten unsere
Geschäftsbedingungen



Deutsche
Akkreditierungsstelle
D-PL-11024-01-00

The manual sliding door system offering fast, effortless installation

MUTO – easy installation and adjustability from the front.



This picture MUTO XL shows the MUTO system logic. The solutions MUTO L and MUTO M can be slightly different in detail.

DORMOTION starter/triggering mechanism*

Is simply placed on the door leaf and clamped tight.

DORMOTION*

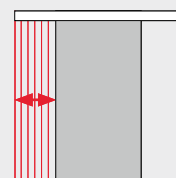
Is inserted into a separate channel in the track and fixed by means of a fixing screw. The damping unit is retrofittable and can also be installed on existing panels in situ. When using a DORMOTION damping unit, we recommend installation of a pull handle.

LSG certified.

Transparent safety.

Laminated safety glass can be installed as part of the MUTO system.

The certification confirms its high-grade quality.



MUTO – Installation M, L, XL, SC, Telescopic

Benefits at a glance

- All adjustments can be quickly and easily performed from the front
- Certified use of laminated safety glass
- Suitable for glass and timber panels

***Note:** The highlighted area on the left does not yet correspond to the current development status. The design and position of the DORMOTION unit have been changed - for even easier installation and adjustment! Please refer to the illustration above or feel free to contact us.

Anti-jump (anti-thrust) protection

Easy activation of the anti-jump (anti-thrust) protection.

Mounting the cover profile (retaining insert)

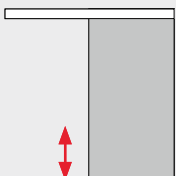
In order to fit the cover profile, simply insert the retainer in the separate channel in the track and rotate to fix.

End stops

Easy end stop insertion through the use of clamps.

Height adjustment

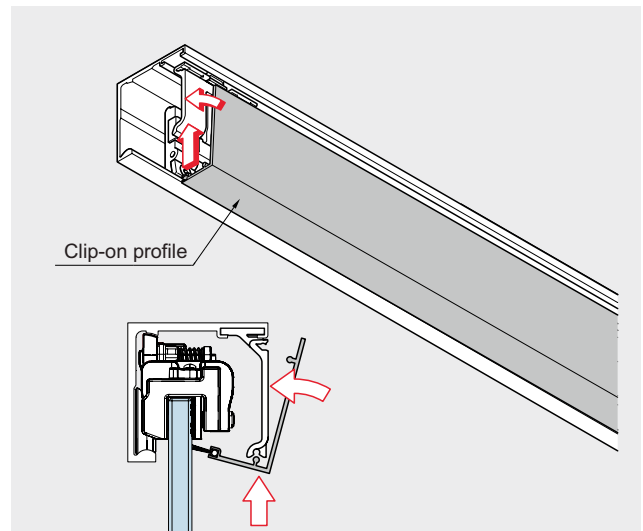
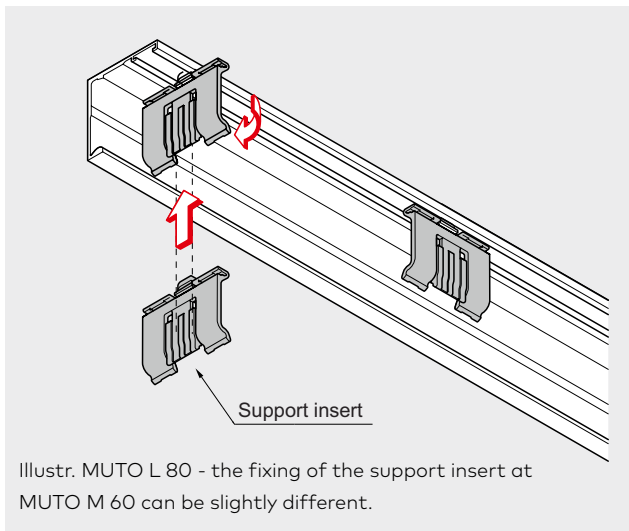
Easy height adjustment of the door leaf by +/-5 mm can be performed at any time.* For this, loosen the fixing screws and rotate the threaded pin as required.



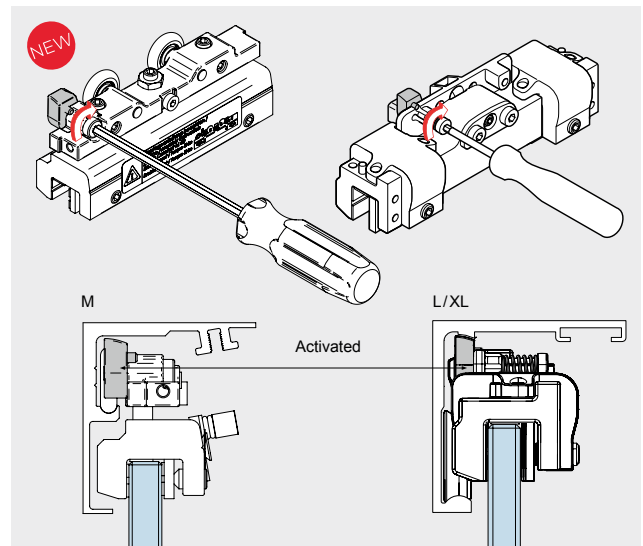
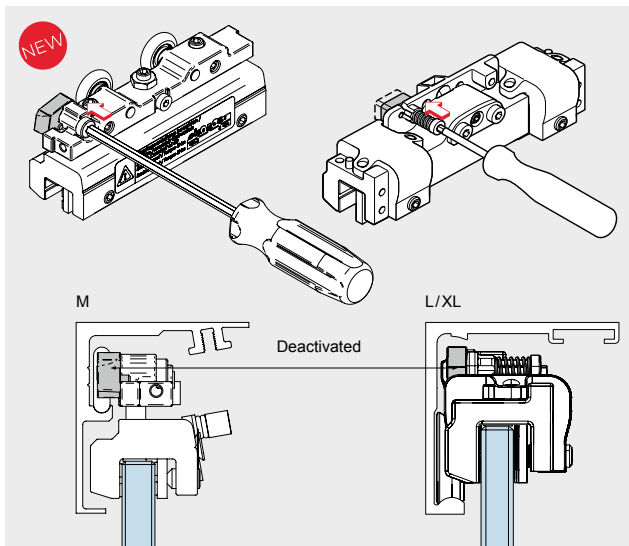
*Depending on system

Advantages at installation

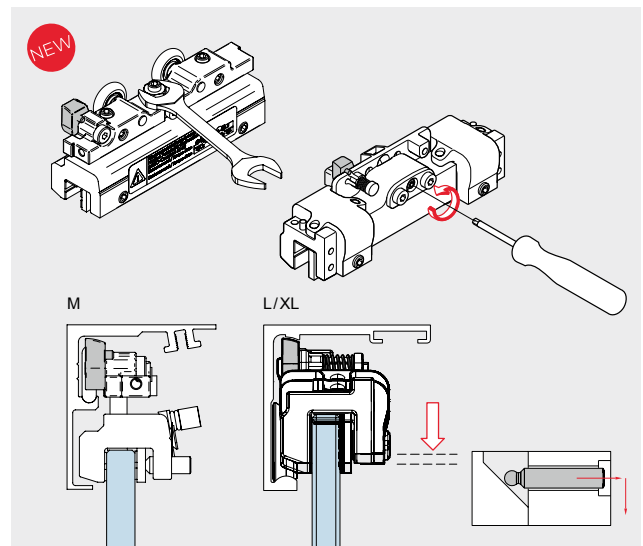
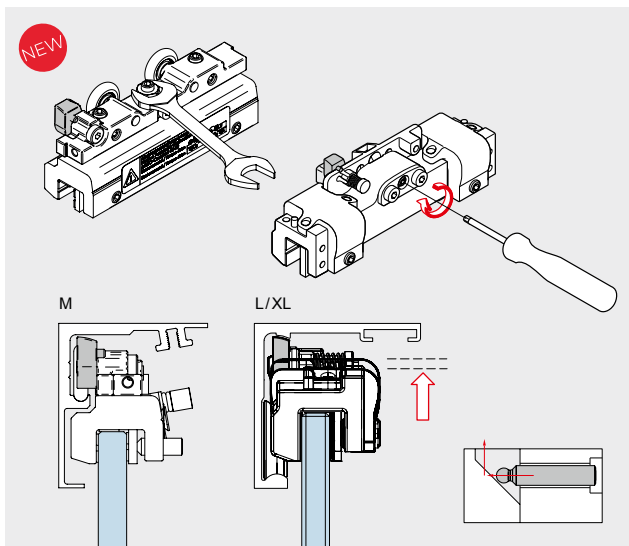
Cover profile



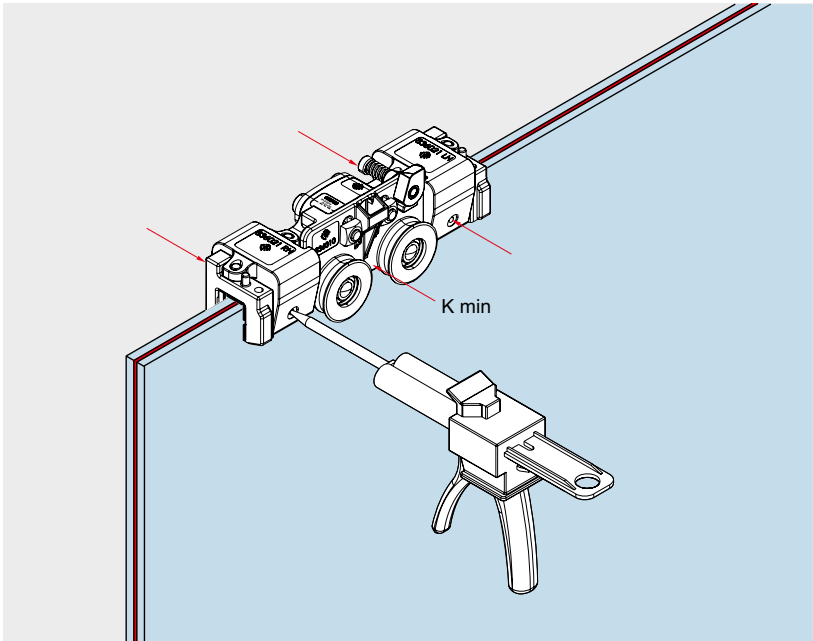
Anti-jump device – carriers: MUTO Comfort M, L, Premium XL, Self-Closing and Telescopic



Height adjustment – carriers: MUTO Comfort M, L, Premium XL, Self-Closing and Telescopic



Clamp&Glue technology

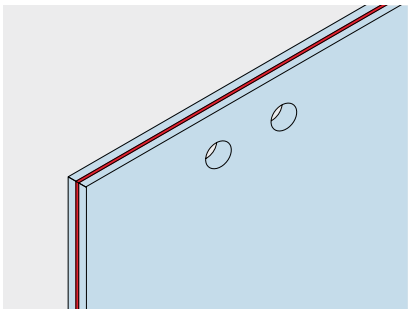


dormakaba Clamp&Glue technology provides the possibility to keep the advantages and – at the same time – to eliminate the potential issues of laminated safety glass. The solution for secure hold of the glass panel only needs a minimum of clamping force at the fittings, without any glass preparation.

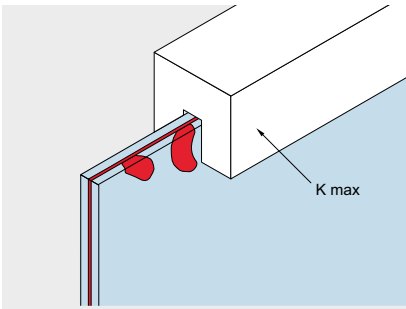
- Carrier sets readily convertible to LSG – make sure you specifically order LSG accessory sets
- High level of safety
- Easy installation
- Improved smoothness of operation
- Integration of sound protection laminate
- Decorative laminates
- Residual load-bearing capacity

MUTO: the following negative phenomena are eliminated with LSG

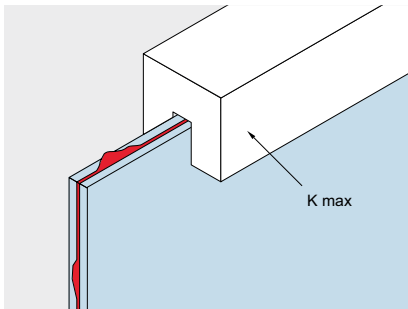
Glass preparation



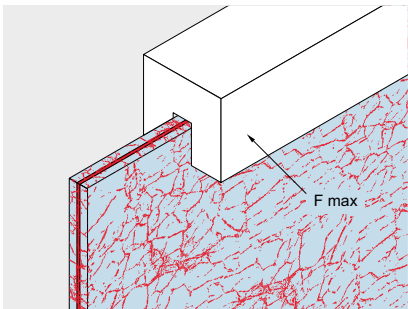
Blister



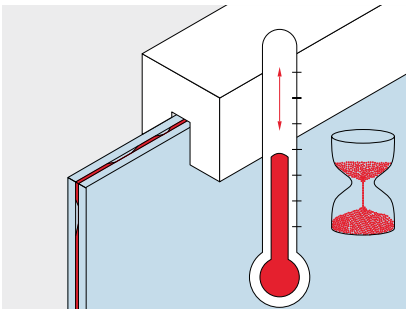
Extrusion of interlayer



Glass crack



Shrinkage of interlayer (due to temperature and pressure variation in long-term usage)

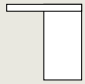
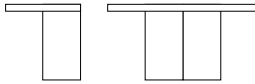
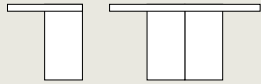


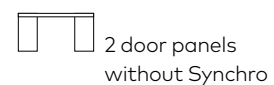
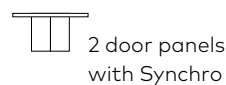
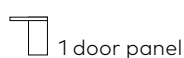
MUTO

Ideal for glass panels –
also optional for timber panels

Much Comfort:

- Unpowered Self-Closing action
- Independently concealed locking with electromechanical lock (battery powered)
- Status indicator connecting with your facility management
- DORMOTION damping mechanism without glass preparation

	 MUTO Comfort M 60	 MUTO Comfort L 80	 MUTO Premium XL 80
Comfort			
Track dimensions: Track	W ≤ 55 mm H ≤ 58 mm	W ≤ 71 mm H ≤ 58 mm	W ≤ 72 mm H ≤ 69 mm
Track dimensions: Track incl. Side panel	W = 74 mm	W = 90 mm	W = 91 mm
Track dimensions: Track + Cover profile	W ≤ 55 mm H ≤ 58 mm	W ≤ 71 mm H ≤ 58 mm	W ≤ 72 mm H ≤ 69 mm
Basic description			
Max. gap to wall (glass door)	14 mm	17 mm	20 mm
Max. gap to wall (timber door, thickness ≤ 30mm)	7 mm	7 mm	7 mm
Glass thickness	8 – 12 mm	8 – 13.5 mm	8 – 13.5 mm
Installations	Wall, ceiling	Wall, ceiling, glass	Wall, ceiling, glass
Max. door height	≤ 2,500 mm	≤ 3,000 mm	≤ 3,000 mm
Max. door width	1.300 mm	1.500 mm (max. 2.000 mm)**	1.500 mm (max. 2.500 mm)**
Door height adjustment	+ 4 mm / – 2 mm	+ 5 mm / – 3 mm	+ / – 5 mm
Corrosion EN 1670	Class 2	Class 4	Class 4
Door cycles	≤ 50,000	≥ 100,000	≥ 200,000
DIN EN 1527	●	●	●
Max. door weight/single door	60 kg	80 kg	80 kg
Max. door weight/double door	–	2 x 80 kg	2 x 80 kg
Prepared for timber	●	●	●
Glass type	TSG / LSG*	TSG / LSG*	TSG / LSG*
Functionalities			
Adjustable from the front	●	●	●
DORMOTION	No glass preparation	No glass preparation	No glass preparation
Synchro version	–	○	○
Status indicator	–	○	○
Concealed EM locking	–	○ ²⁾	○ ²⁾
Self-Closing	–	–	–



● yes – no ○ optional

* LSG from 2 x TSG (min. 2 x 5 mm).

** For panel widths from 1,500 mm we recommend the use of an underfloor floor guide profile.

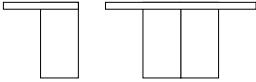

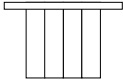
The glass dimensions may vary due to the method of fixing and installation, glass tolerances or general usage.
The use of clamp fittings on structured glass surfaces (with the exception of satinised glass) or glass with large variations in glass thickness is only permitted with the application of a levelling layer.


1) Max. travel 1,450 mm

2) In combination with Synchro not possible

Variants

- Self-Closing
- Telescopic – wide openings with small panels
- Synchro – moving both panels of a double door synchronously either toward each other (closing) or from each other (opening) when just one panel is moved by hand.
- Wall, glass and ceiling installations possible
- For panels ≤ 60 kg up to 150 kg

 MUTO Premium XL 150	 MUTO Premium Self-Closing 120	 MUTO Premium Telescopic 80
W ≤ 72 mm H ≤ 69 mm	W ≤ 100 mm H ≤ 69 mm	W ≤ 124 mm H ≤ 69 mm
W = 91 mm	W = 119 mm	W = 146 mm
W ≤ 72 mm H ≤ 69 mm	W ≤ 100 mm H ≤ 69 mm	W ≤ 127 mm H ≤ 69 mm
20 mm	20 mm	17 mm / 52 mm
7 mm	7 mm	7 mm
8 – 13.5 mm	8 – 13.5 mm	8 – 13.5 mm
Wall, ceiling, glass	Wall, ceiling, glass	Wall, ceiling, glass
≤ 3,000 mm	≤ 3,000 mm	≤ 3,000 mm
1,500 mm (max. 2,000 mm)	see from page 92	1,200 / 1,000 mm (2x/4x)
+ / - 5 mm	+ / - 5 mm	+ 5 mm / - 3 mm
Class 4	Class 4	Class 4
≥ 200,000	≥ 200,000	≥ 200,000
●	●	●
150 kg	120 kg	2 x 80 kg
2 x 150 kg	2 x 120 kg	4 x 80 kg
●	●	●
TSG / LSG*	TSG / LSG*	TSG / LSG*
●	●	●
No glass preparation	No glass preparation	No glass preparation
-	-	-
○	○	○
○	○	○
-	●	-

 2 door panels, Teleskopik

Further information on MUTO Premium Telescopic 80 can be found in the Compendium.

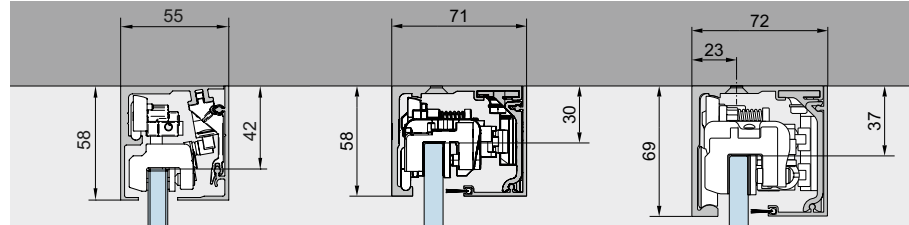
MUTO

Explanation of product names

Profile dimensions
M = 55 x 58 mm
Max. door weight
60 kg

Profile dimensions
L = 71 x 58 mm
Max. door weight
80 kg

Profile dimensions
XL = 72 x 69 mm
Max. door weight
80 kg



	MUTO M 60	MUTO L 80	MUTO Premium XL 80
DORMOTION	Optional	Optional	Yes
max. Sliding panel weight	60 kg	80 kg	80 kg
Movement cycles	≥ 50,000	≥ 100,000	≥ 200,000
Glass thickness sliding panel	8 – 12 mm	8 – 13.5 mm	8 – 13.5 mm
Height adjustment	+ 4 mm / – 2 mm	+ 5 mm / – 3 mm	+/- 5 mm
Material thickness (Timber)	28 – 50 mm	28 – 50 mm	28 – 50 mm
max. Sliding panel height [GH][TH]	2,500 mm	3,000 mm	3,000 mm
Mounting type	Wall, ceiling	Wall, ceiling, glass	Wall, ceiling, glass
Single panel			
Clear opening width [LW] min. – max.	540 – 1,240 mm	600 – 1,440 mm	600 – 2,440 mm
Panel width [A]	LW + 60 mm	LW + 60 mm	LW + 60 mm
Panel width [A] min. – max. (incl. DORMOTION / with retrofittable lock/status indicator)	600 – 1,300 mm* no lock/ status indicator	660 – 1,500 mm (max. 2,000 mm*)	660 ¹⁾ – 1,500 mm (max. 2,500 mm*)
Length of track wall/ceiling	2 x A	2 x A	2 x A
Length of track [B] at glass	–	2 x A + 67 mm	2 x A + 67 mm
Double panel			
Clear width [LW] min. – max.	–	1,266 – 2,446 mm	1,566 – 2,890 mm
Panel width [A]	–	LW / 2 + 27 mm	LW / 2 + 27 mm
Panel width [A] min. – max.	–	660 – 1,250 mm	810 – 1,470 mm
Length of track [B] wall/ceiling	–	4 x A – 44 mm	4 x A – 44 mm
Length of track [B] at glass	–	4 x A + 12 mm	4 x A + 12 mm

¹⁾ After consultation of our Application Engineering Department: lower panel dimensions incl. DORMOTION are possible. More under "Tips and Tricks" on page 171

Profile dimensions

XL = 72 x 69 mm

Max. door weight

150 kg

Profile dimensions

Self-Closing = 100 x 69 mm

Max. door weight

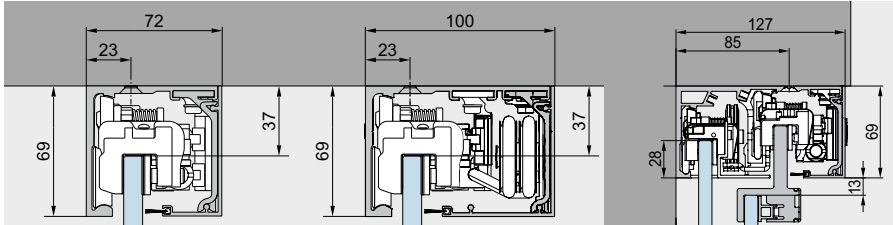
120 kg

Profile dimensions

M = 127 x 69

Max. door weight

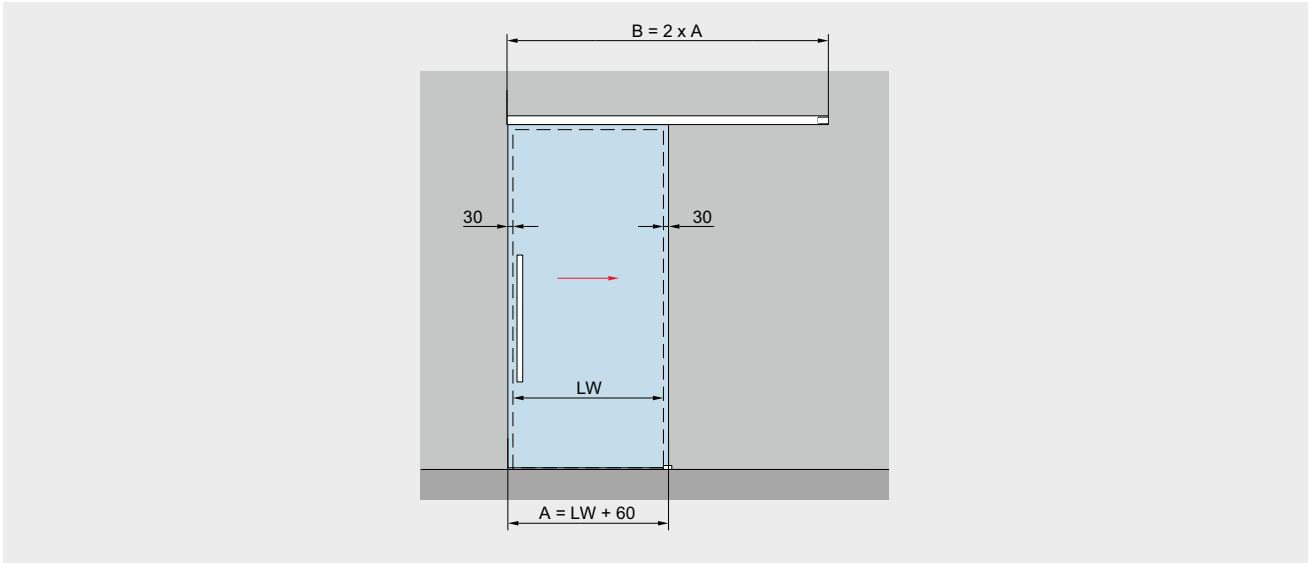
2 x 80 Kg

**Art. No.** 8.36. xxx **xxx** .99Alu Silver **150**Alu Niro Dark **157**Alu White **350**Alu Special anodised **199**Alu Special colour **399**

MUTO Premium XL 150	MUTO Premium Self-Closing 120	MUTO Premium Telescopic 80
Yes	Yes	Optional
150 kg	120 kg	2 x 80 kg
≥ 200,000	≥ 200,000	≥ 200,000
8 – 13.5 mm	8 – 13.5 mm	8 – 13.5 mm
+/- 5 mm	+/- 5 mm	+ 5 mm / - 3 mm
28 – 50 mm	28 – 50 mm	28 – 50 mm
3,000 mm	3,000 mm	3,000 mm
Wall, ceiling, glass	Wall, ceiling, glass	Wall, ceiling, glass
600 – 2,440 mm	790 – 1,440 mm	see page 88
LW + 60 mm	LW + 60 mm	see from page 92 onwards
660 ¹⁾ – 1,500 mm (max. 2,500 mm*)	–	see page 88
2 x A	2 x A	see from page 92 onwards
2 x A + 67 mm	2 x A + 67 mm	see from page 92 onwards
1,986 – 2,890 mm	1,606 – 2,890 mm	see page 92
LW / 2 + 27 mm	LW / 2 + 27 mm	see from page 92 onwards
1,020 – 1,470 mm	830 – 1,470 mm	see page 92
4 x A – 44 mm	4 x A – 44 mm	see from page 94 onwards
4 x A + 12 mm	4 x A + 12 mm	see from page 97 onwards

* For panel widths of 1,500 mm and more, we recommend the use of an underfloor floor guide profile. The glass dimensions may vary due to the following features: type of installation, glass tolerances, general use More under "Tips and Tricks" on page 171

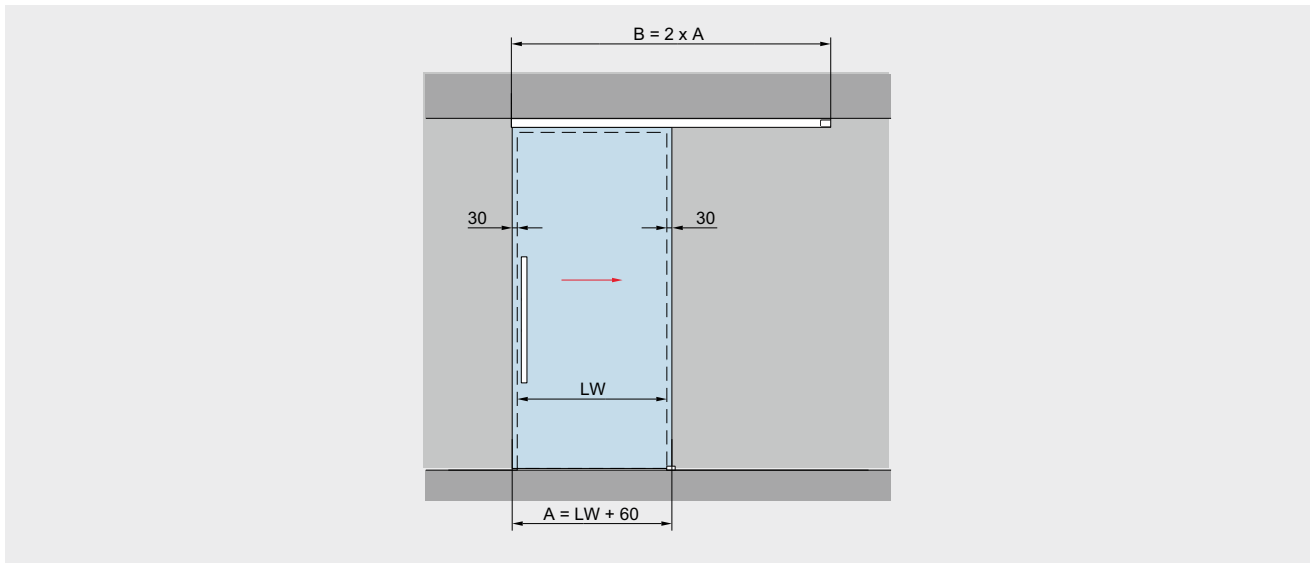
Type illustrations wall installation



Fixed at wall	Product description	Glass thickness
	<p>For installation with one door panel</p> <p>Max. weight of door panels 60 kg</p> <p>Calculation of glass height GH1 = LH + X + 6 mm max. 2,500 mm</p> <p>Calculation of glass width A = LW + 60 mm min. 600 mm (after consultation: min. 400 mm possible) max. 1,300 mm min. 600 mm with DORMOTION (after consultation: min. 550 mm possible) max. 1,300 mm</p>	<p>8 – 12 mm</p>

- A = Glass width
- B = Length of track
- GH1 = Glass height sliding door
- LH = Clear opening height
- LW = Clear opening width
- t1 = Glass thickness sliding door
- Y = 55 mm – (14 mm + t1)
- X = Freely selectable protrusion (depending on structural conditions)

Type illustrations ceiling installation

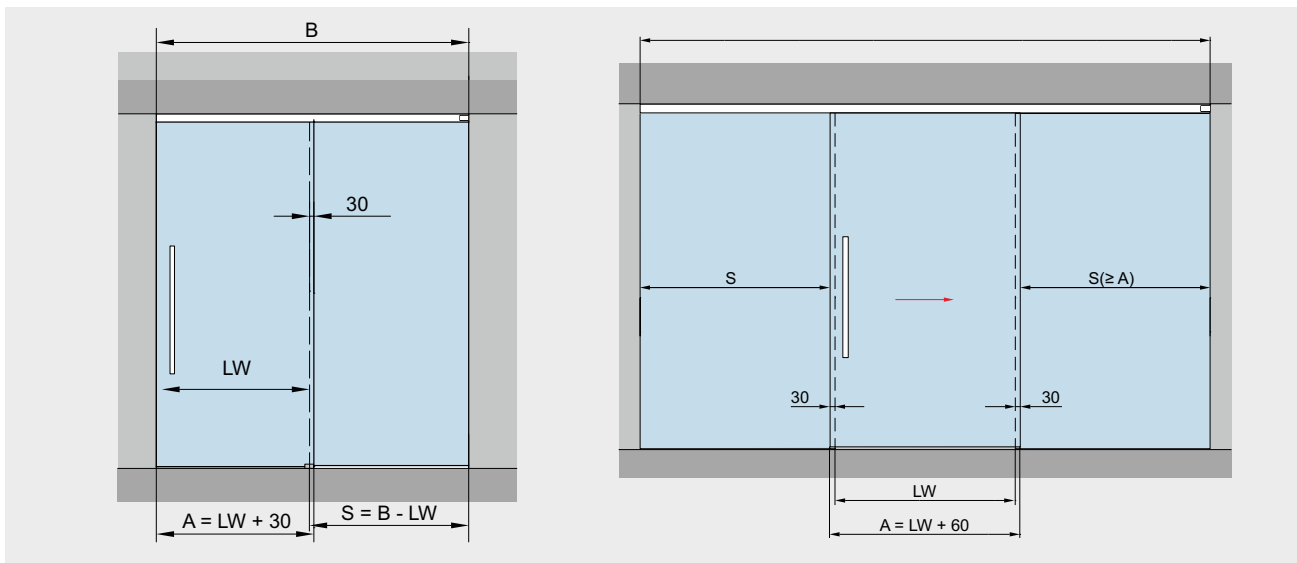


Fixed at ceiling	Product description	Glass thickness
	<p>For installation with one door panel</p> <p>Max. weight of door panels 60 kg</p> <p>Calculation of glass height GH1 = H - 52 mm max. 2,500 mm</p> <p>Calculation of glass width A = LW + 60 mm min. 600 mm (after consultation: min. 400 mm possible) max. 1,300 mm min. 600 mm with DORMOTION (after consultation: min. 550 mm possible) max. 1,300 mm with DORMOTION</p>	8 – 12 mm

A = Glass width
 B = Length of track
 GH1 = Glass height sliding door
 LH = Clear opening height

LW = Clear opening width
 t1 = Glass thickness sliding door
 Y = 55 mm - (14 mm + t1)

Type illustrations with side panel

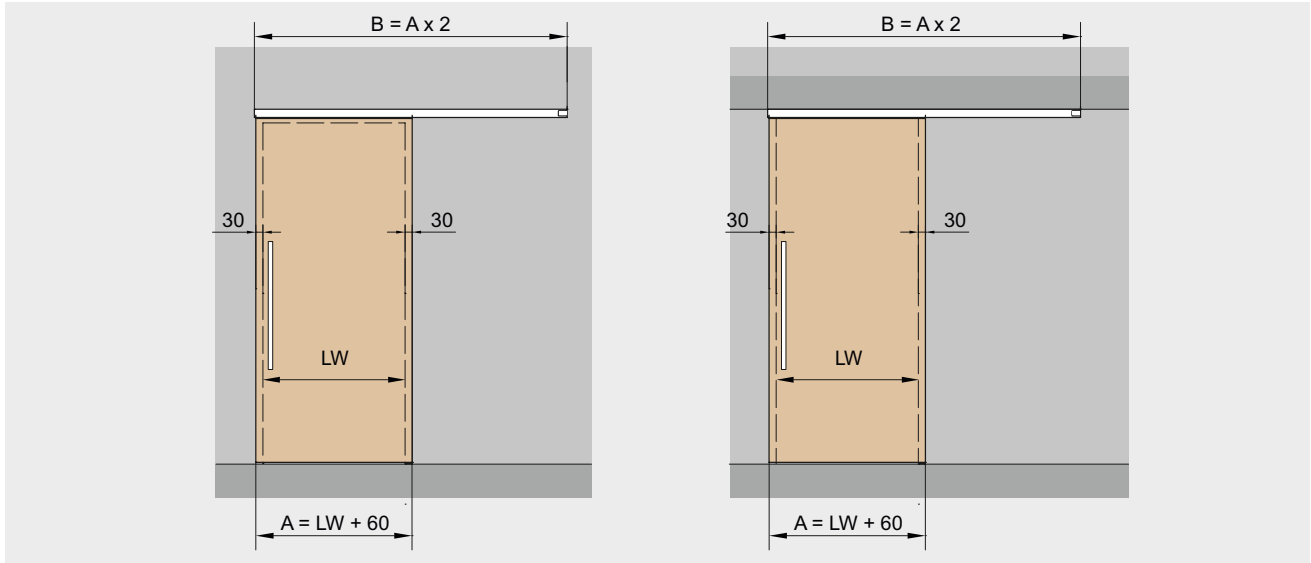


Fixed at ceiling	Product description	Glass thickness
	<p>For installation with one door panel</p> <p>Max. weight of door panels 60 kg</p> <p>Calculation of glass height GH1 = LH - 52 GH2 = LH - 51 max. 2,500 mm</p> <p>Calculation of glass width A = LW + 30 mm min. 600 mm (after consultation: min. 400 mm possible) max. 1,300 mm min. 600 mm with DORMOTION (after consultation: min. 550 mm possible) max. 1,300 mm</p>	8 – 12 mm

- A = Glass width
- B = Length of track
- GH1 = Glass height sliding door
- GH2 = Glass height sidelight
- LH = Clear opening height
- LW = Clear opening width

- S = Glass width sidelight
- t1 = Glass thickness sliding door
- t2 = Glass thickness sidelight
- Y = 55 mm - (14 mm + t1)

Type illustrations for timber door applications



Fixed at wall	Fixed at ceiling	Product description	Wood thickness
		<p>For installation with one door panel</p> <p>Max. weight of door panels 60 kg</p> <p>Calculation of door height fixed at wall $TH = LH + X - 17$ max. 2,500 mm</p> <p>Calculation of door height fixed at ceiling $TH = LH - 75$ max. 2,500 mm</p> <p>Calculation of door width $A = LW + 60$ mm min. 600 mm (after consultation: min. 400 mm possible) max. 1,300 mm min. 600 mm with DORMOTION (after consultation: min. 550 mm possible) max. 1,300 mm</p>	<p>28 – 50 mm</p>
<p>* Timber door 100 mm solid wood for connection at timber adapter</p>			

A = Timber door width
 B = Length of track
 LH = Clear opening height
 LW = Clear opening width

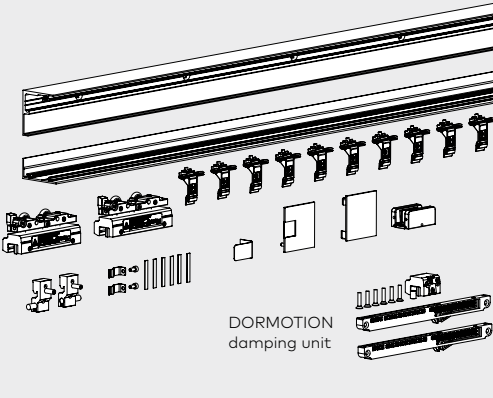
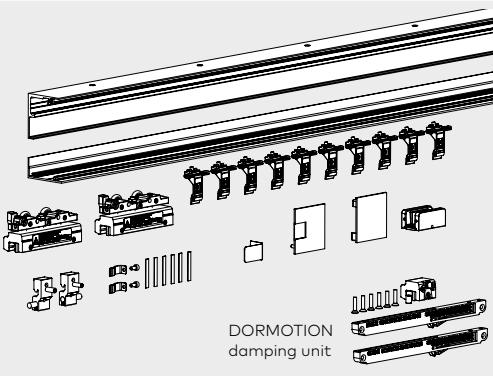
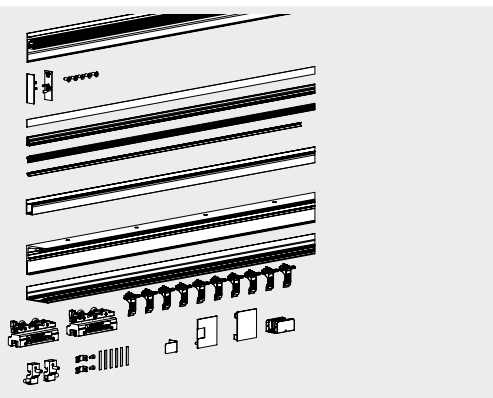
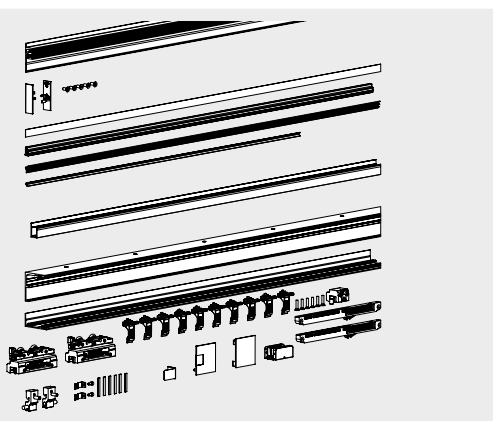
TH = Door height
 U = Wood thickness
 X = Freely selectable protrusion (depending on structural conditions)

Complete sets - defined lengths

	Product description	Panel width	Profile length	Glass thickness	Art. No.
	MUTO Comfort M 60 Set prepared for DORMOTION wall installation incl. track profile, cover profile, accessory set, end caps	950 1,200	1,900 2,400	8 – 12 mm 8 – 12 mm	36.670 36.671
	MUTO Comfort M 60 Set incl. DORMOTION* wall installation incl. track profile, cover profile, accessory set, end caps	950 1,200	1,900 2,400	8 – 12 mm 8 – 12 mm	36.676 36.677
	max. 60 kg DORMOTION damping unit				
	MUTO Comfort M 60 Set prepared for DORMOTION ceiling installation incl. track profile, cover profile, accessory set, end caps	950 1,200	1,900 2,400	8 – 12 mm 8 – 12 mm	36.672 36.673
	MUTO Comfort M 60 Set incl. DORMOTION* ceiling installation incl. track profile, cover profile, accessory set, end caps	950 1,200	1,900 2,400	8 – 12 mm 8 – 12 mm	36.678 36.679
	max. 60 kg DORMOTION damping unit				

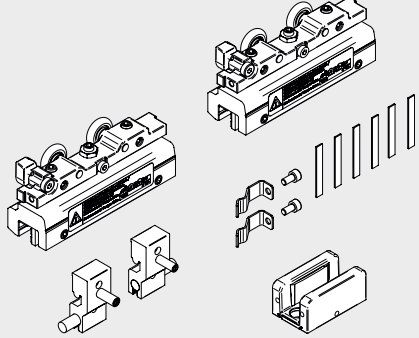
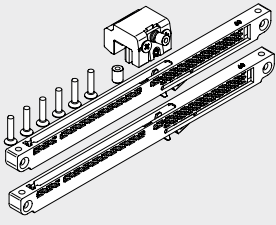
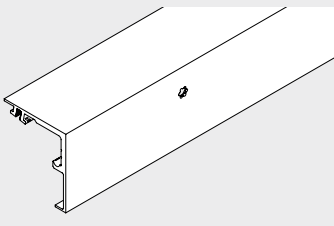
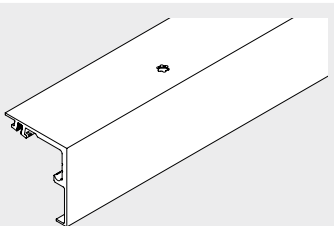
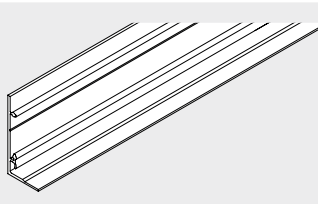
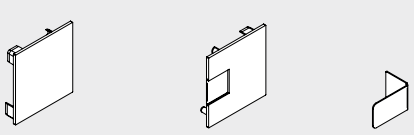
*When using a DORMOTION damping unit, we recommend installation of a pull handle.

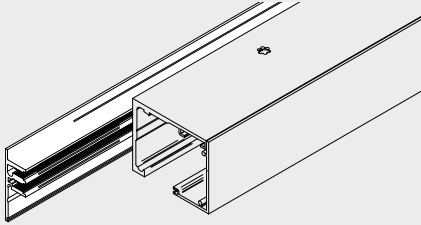
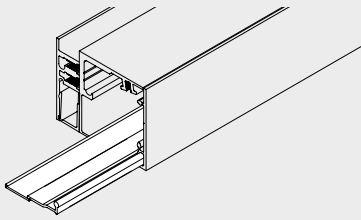
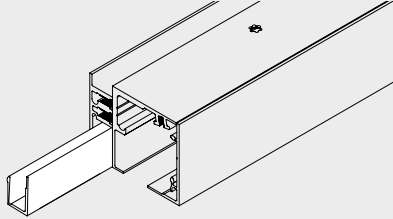
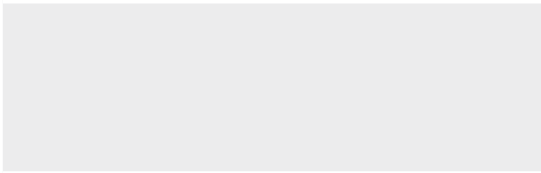
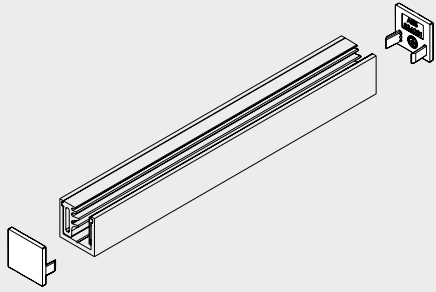
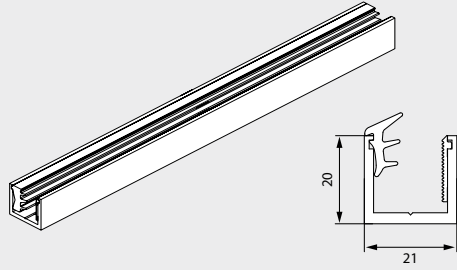
Complete sets - individual lengths

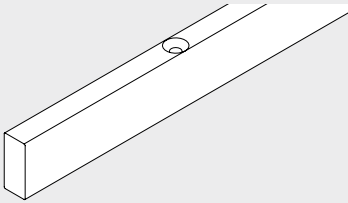
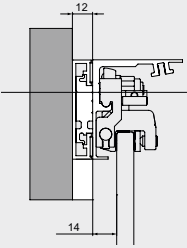
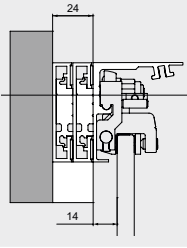
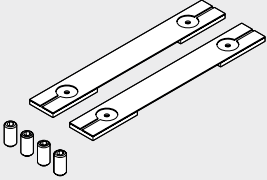
	Product description	Glass thickness	Art. No.
 <p>DORMOTION damping unit</p>	<p>MUTO Comfort M 60 Set prepared for DORMOTION wall installation individual profile length up to max. 5,940 mm incl. track profile, cover profile, accessory set, end cap</p> <p>MUTO Comfort M 60 Set incl. DORMOTION* wall installation individual profile length up to max. 5,940 mm incl. track profile, cover profile, accessory set, end cap</p> <p>max. 60 kg</p>	8 – 12 mm	36.674
 <p>DORMOTION damping unit</p>	<p>MUTO Comfort M 60 Set prepared for DORMOTION ceiling installation individual profile length up to max. 5,940 mm incl. track profile, cover profile, accessory set, end cap</p> <p>MUTO Comfort M 60 Set incl. DORMOTION* wall installation individual profile length up to max. 5,940 mm incl. track profile, cover profile, accessory set, end cap</p> <p>max. 60 kg</p>	8 – 12 mm	36.675
	<p>MUTO Comfort M 60 Set prepared for DORMOTION ceiling installation with sidelight individual profile length up to max. 5,940 mm incl. track profile, cover and sidelight profile, filling profile, accessory set, end cap, view protection profile must be ordered separately</p> <p>max. 60 kg</p>	8 – 12 mm	36.682
 <p>DORMOTION damping unit</p>	<p>MUTO Comfort M 60 Set incl. DORMOTION* ceiling installation with sidelight individual profile length up to max. 5,940 mm incl. track profile, cover and sidelight profile, filling profile, accessory set, end cap, view protection profile must be ordered separately</p> <p>max. 60 kg</p>	8 – 12 mm	36.683

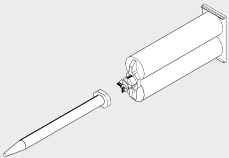
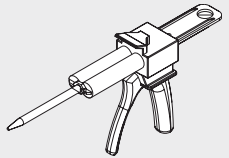
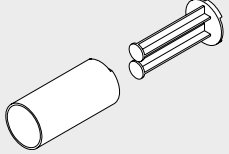
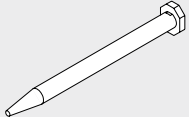
*When using a DORMOTION damping unit, we recommend installation of a pull handle.

Component parts

	Product description	Art. No.
	<p>Accessory set Consisting of: 2 Clamp carriers 2 Endstops 1 Floor guide</p>	<p>36.691</p>
	<p>DORMOTION unit Panel width min. 600 mm (after consultation min. 550 mm possible) for max. 60 kg, incl. starter</p> <p>When using a DORMOTION damping unit, we recommend installation of a pull handle.</p>	<p>36.693 Optional</p>
	<p>Track rail wall installation</p> <p>stock length 6,000 mm fixed length</p>	<p>36.684 36.687</p>
	<p>Track rail ceiling installation</p> <p>stock length 6,000 mm fixed length</p>	<p>36.685 36.688</p>
	<p>Cover profile</p> <p>stock length 6,000 mm fixed length</p>	<p>36.686 36.696</p>
	<p>MUTO Comfort M 60 Set endcaps for wall and ceiling installation</p>	<p>36.692</p>

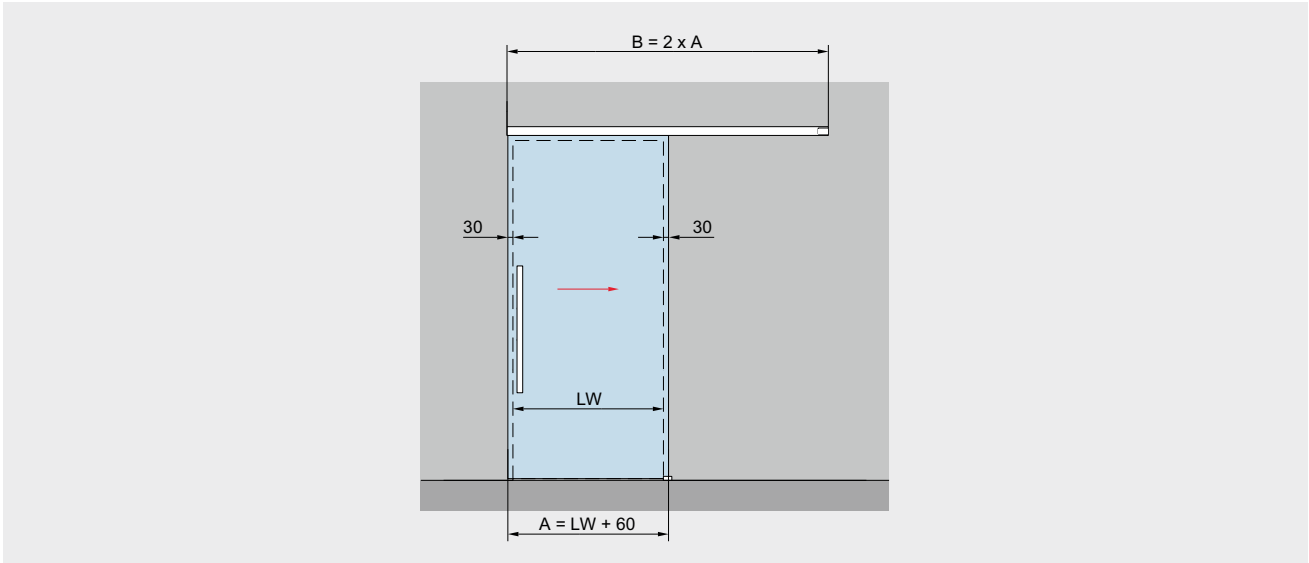
	Product description	Glass thickness	Art. No.
	<p>MUTO Comfort M 60 + L 80 Side light profile 58 mm height, with gaskets, for 8 – 13.5 mm glass When installing between two walls, please give particular atten- tion to the width of the end covers (each 2 mm). stock length 6,000 mm fixed length</p>		<p>36.271 36.274</p>
	<p>MUTO M 60 View protection profile for sidelight profiles stock length 6,000 mm fixed length</p>		<p>36.694 36.695</p>
	<p>MUTO Filling profile for Comfort M, L, Premium XL and Self-Closing, for side light profile stock length 6,000 mm fixed length</p>		<p>36.802 36.803</p>
	<p>MUTO Comfort M 60 + L 80 End caps for side light profile, 58 mm height each 2 mm width (When installing between two walls, please give particular attention to it.)</p>		<p>36.273</p>
	<p>MUTO End caps (2 pieces) for Comfort M + L and Premium XL, for floor profile, for fixing side light</p>		<p>36.812</p>
	<p>MUTO Floor profile for Comfort L and Premium XL, for fixing side light, with gaskets, incl. end caps stock length 6,000 mm fixed length</p>	<p>8 – 13.5 mm</p>	<p>36.810 36.811</p>

	Product description	Art. No.
	<p>MUTO Comfort M 60 Timber adapter profile 10 x 23 mm, incl. accessories (with timber floor guide) 1,310 mm fixed length</p> <p>Please indicate the wooden door leaf width when ordering!</p>	36.941
	<p>MUTO Comfort - balance profile set 12 mm, for installation over an existing door frame; compensates for the frame thickness; fixed length</p>	36.872
	<p>MUTO Comfort - balance profile set 24 mm, for installation over an existing door frame; compensates for the frame thickness; fixed length</p>	36.873
	<p>MUTO Comfort M 60 LSG set Accessory set for use with LSG for one pair of clamp carrier</p> <p>Consisting of: 2 Gaskets 4 Injector screw</p> <p>Please order the LSG glue 07.631 separately</p>	36.939

	Product description	Art. No.
	<p>Special adhesive for use with LSG The contents of the cartridge are sufficient for 10 clamp carriers (varies if the nozzle contents have dried out!) If necessary, order additional spare nozzles (art. no. 07630).</p>	07.631
	<p>Automix gun for LSG Use in combination with article 07.631</p>	07.629
	<p>Automix adapter for LSG Use in combination with article 07.631</p>	07.628
	<p>Spare nozzle for LSG Use in combination with article 07.631</p>	07.630

Vertical brush seals can be found on page 168

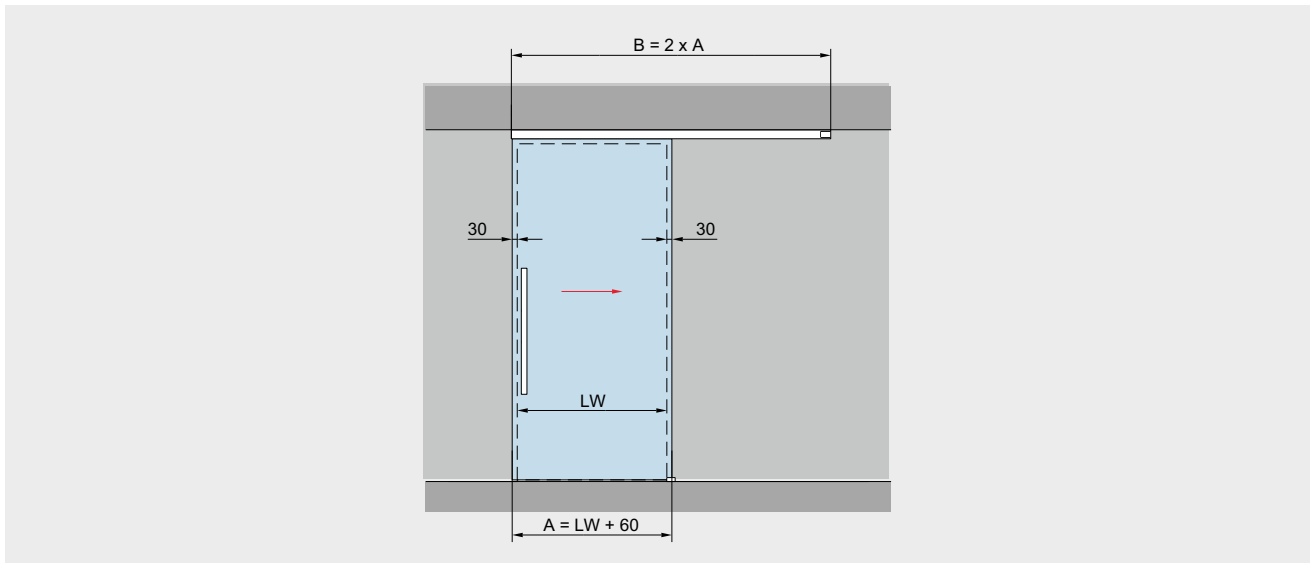
Type illustrations wall installation



Fixed at wall	Product description	Glass thickness
	<p>For installation with one door panel</p> <p>Max. weight of door panels 80 kg</p> <p>Calculation of glass height GH = LH + 18 + X mm max. 3,000 mm</p> <p>Calculation of glass width A = LW + 60 mm min. 660 mm max. 2,000 mm max. 2 x 1,250 mm</p>	<p>8 – 13.5 mm</p>

- A = Glass width
- B = Length of track
- GH1 = Glass height sliding door
- H = Total height
- LH = Clear opening height
- LW = Clear opening width
- t1 = Glass thickness sliding door
- Y = 71 mm - 17 mm - t
- X = Freely selectable protrusion (depending on structural conditions)

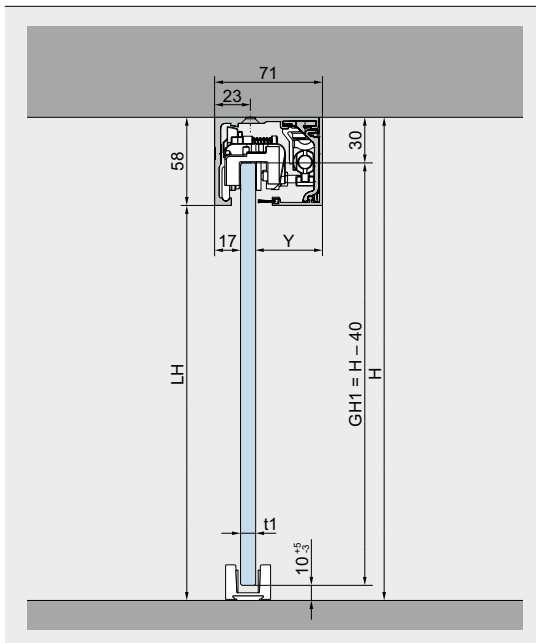
Type illustrations ceiling installation



Fixed at ceiling

Product description

Glass thickness



For installation with one door panel

8 – 13.5 mm

Max. weight of door panels

80 kg

Calculation of glass height

$GH1 = H - 40$ mm
max. 3,000 mm

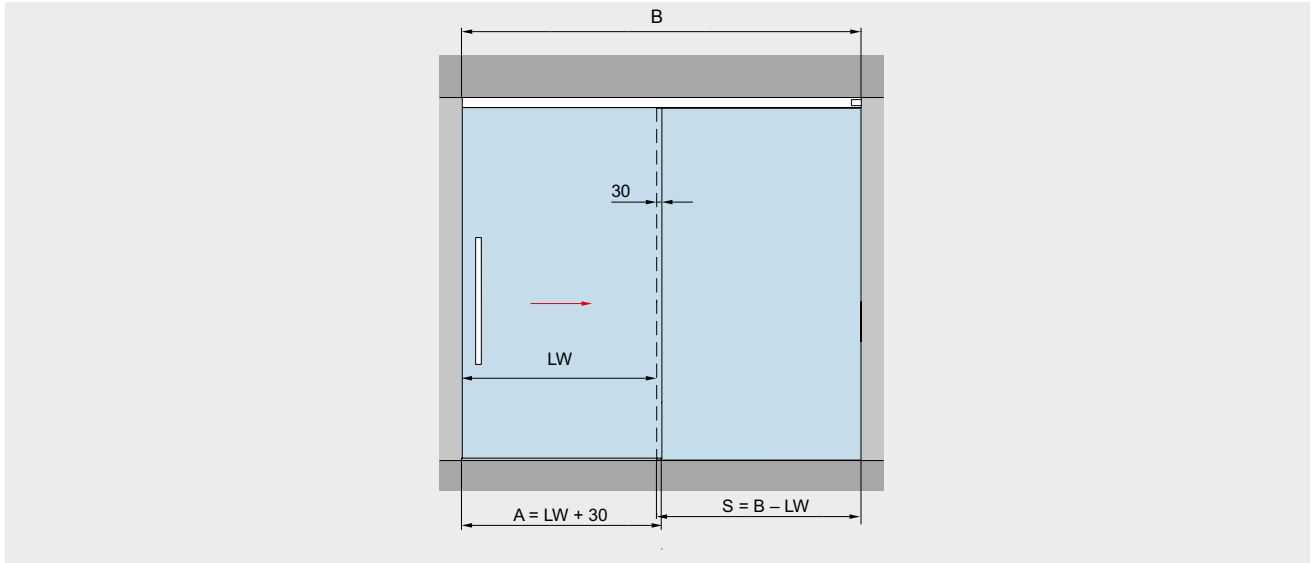
Calculation of glass width

$A = LW + 60$ mm
min. 660 mm
max. 2,000 mm
max. $2 \times 1,250$ mm

A = Glass width
B = Length of track
GH1 = Glass height sliding door
H = Total height

LH = Clear opening height
LW = Clear opening width
t1 = Glass thickness sliding door
Y = 71 mm – 17 mm – t

Type illustrations with side panel, on one side

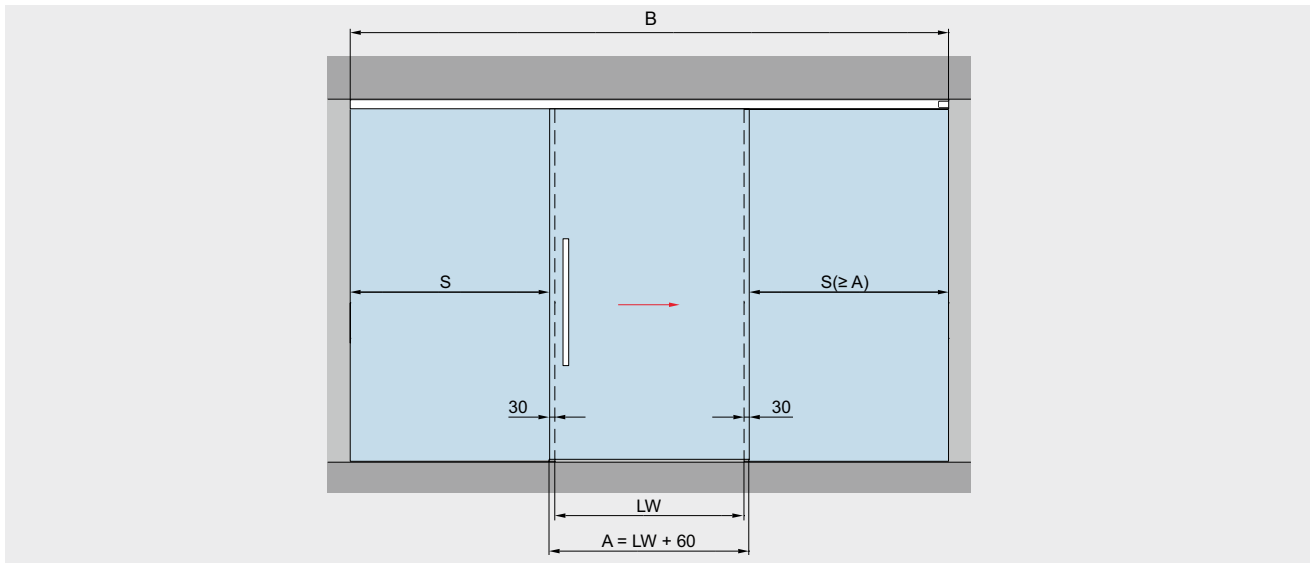


Fixed at ceiling	Product description	Glass thickness
	<p>For installation with one door panel</p> <p>Max. weight of door panels 80 kg</p> <p>Calculation of glass height GH1 = H - 40 mm GH2 = H - 51 mm max. 3,000 mm</p> <p>Calculation of glass width A = LW + 30 mm min. 660 mm max. 2,000 mm</p>	<p>8 – 13.5 mm</p>

- A = Glass width
- B = Length of track
- GH1 = Glass height sliding door
- GH2 = Glass height sidelight
- H = Total height
- LH = Clear opening height

- LW = Clear opening width
- S = Glass width sidelight
- t1 = Glass thickness sliding door
- t2 = Glass thickness sidelight
- Y = 71 mm - 17 mm - t1

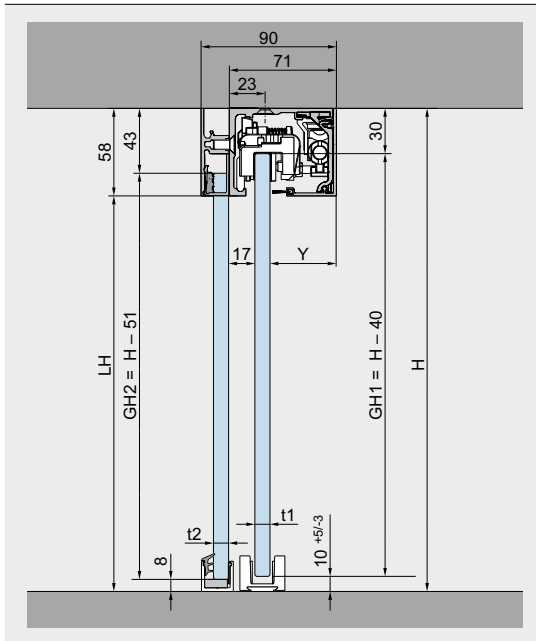
Type illustrations with sidelight on both sides



Fixed at ceiling

Product description

Glass thickness



For installation with one door panel

8 – 13.5 mm

Max. weight of door panels

80 kg

Calculation of glass height

$GH1 = H - 40 \text{ mm}$

$GH2 = H - 51 \text{ mm}$

max. 3,000 mm

Calculation of glass width

$A = LW + 60 \text{ mm}$

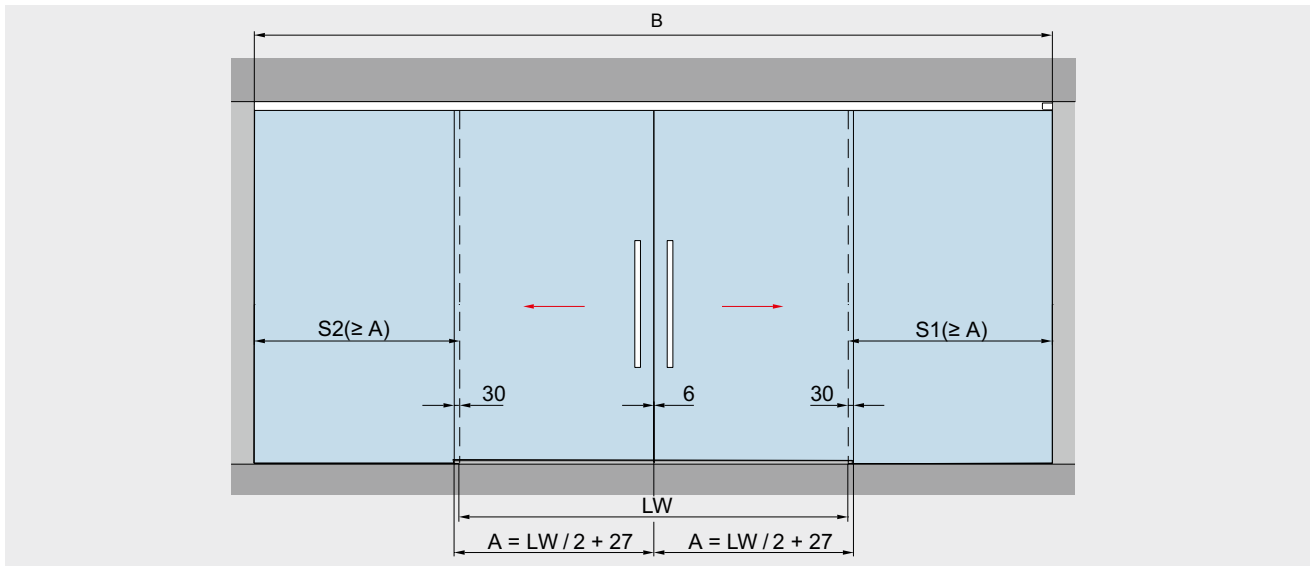
min. 660 mm

max. 2,000 mm

A = Glass width
 B = Length of track
 GH1 = Glass height sliding door
 GH2 = Glass height sidelight
 H = Total height
 LH = Clear opening height

LW = Clear opening width
 S = Glass width sidelight
 t1 = Glass thickness sliding door
 t2 = Glass thickness sidelight
 Y = 71 mm - 17 mm - t1

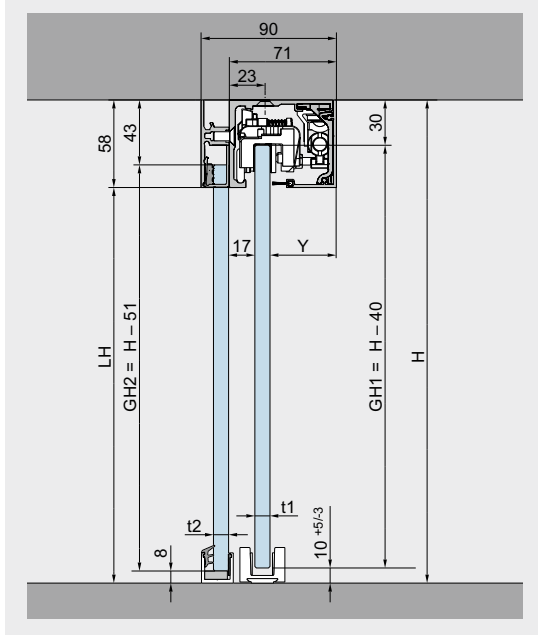
Type illustrations with two door panels with sidelights



Fixed at ceiling

Product description

Glass thickness



For installation with two door panels

8 – 13.5 mm

Max. weight of door panels

80 kg

Calculation of glass height

GH1 = H – 40 mm

GH2 = H – 51 mm

max. 3,000 mm

Calculation of glass width

A = LW / 2 + 27 mm

min. 660 mm

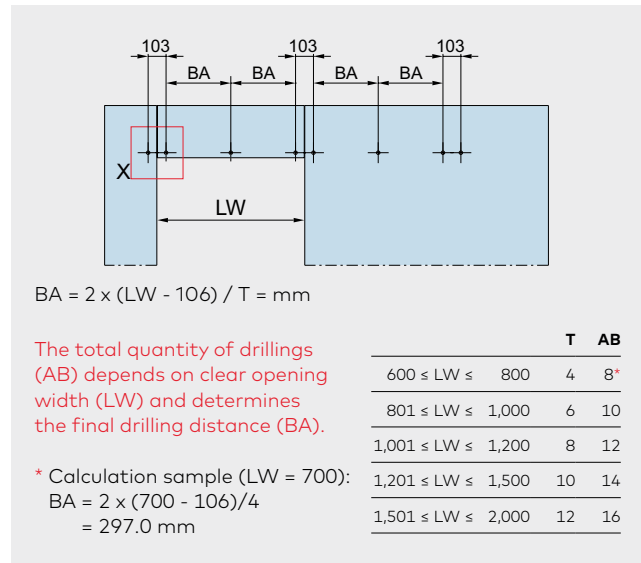
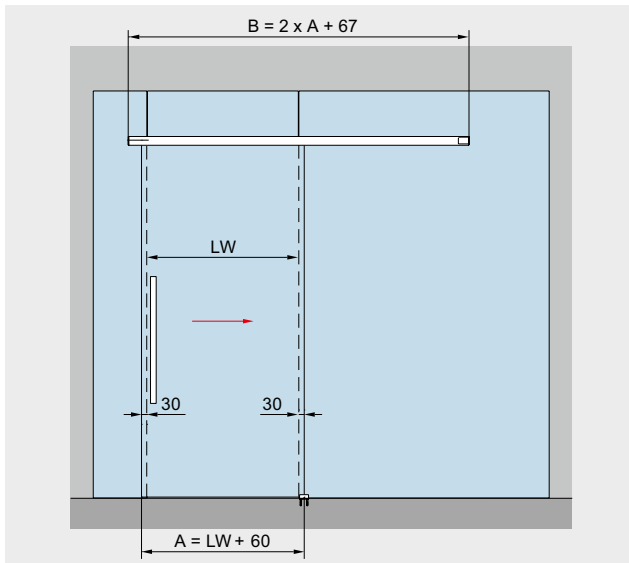
max. 2 x 1,250 mm

- A = Glass width
- B = Length of track
- GH1 = Glass height sliding door
- GH2 = Glass height sidelight
- H = Total height

- S1/S2 = Glass width sidelight
- LH = Clear opening height
- LW = Clear opening width
- t1 = Glass thickness sliding door
- t2 = Glass thickness sidelight

Y = 71 mm – 17 mm – t1

Type illustrations glass installation



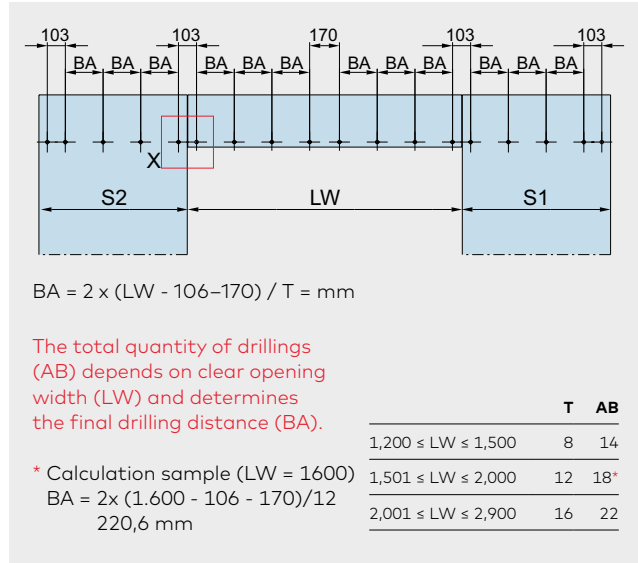
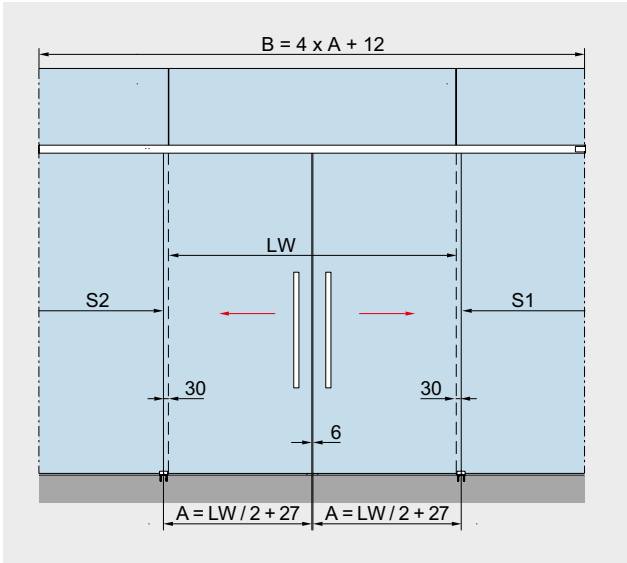
You will find a calculation tool for the glass preparation of the fixed parts MUTO on glass under the following link <https://glas-innovationen.com/glass-innovations/muto>

Glass preparation	Product description	Glass thickness
<p>Detail X</p>	For installation with one door panel Max. weight of door panels 80 kg Calculation of glass height $GH1 = LH + 18 \text{ mm}$ max. 3,000 mm Calculation of glass width $A = LW + 60 \text{ mm}$	8 – 13.5 mm

Fixed at glass	Product description	L 80
	To ensure a correct and aligned mounting of the track rail, a fully supporting fixed panel must be installed.	
	min. glass width without DORMOTION	660 mm
	min. clear opening width without DORMOTION	600 mm
	max. glass width	2,000 mm
	max. clear opening width	1,940 mm

- A = Glass width
- AB = Quantity of drillings
- B = Length of track
- BA = Drilling distance
- H = Total height
- LH = Clear opening height
- LW = Clear opening width
- GH1 = Glass height sliding door
- T = Quantity of drillings distance signed with BA
- t1 = Glass thickness sliding door (8 – 13.5 mm)
- t2 = Glass thickness fixed panel (10 – 19 mm)
- Y = 71 mm – 17 mm – t1

Type illustrations with two door panels fixed at glass



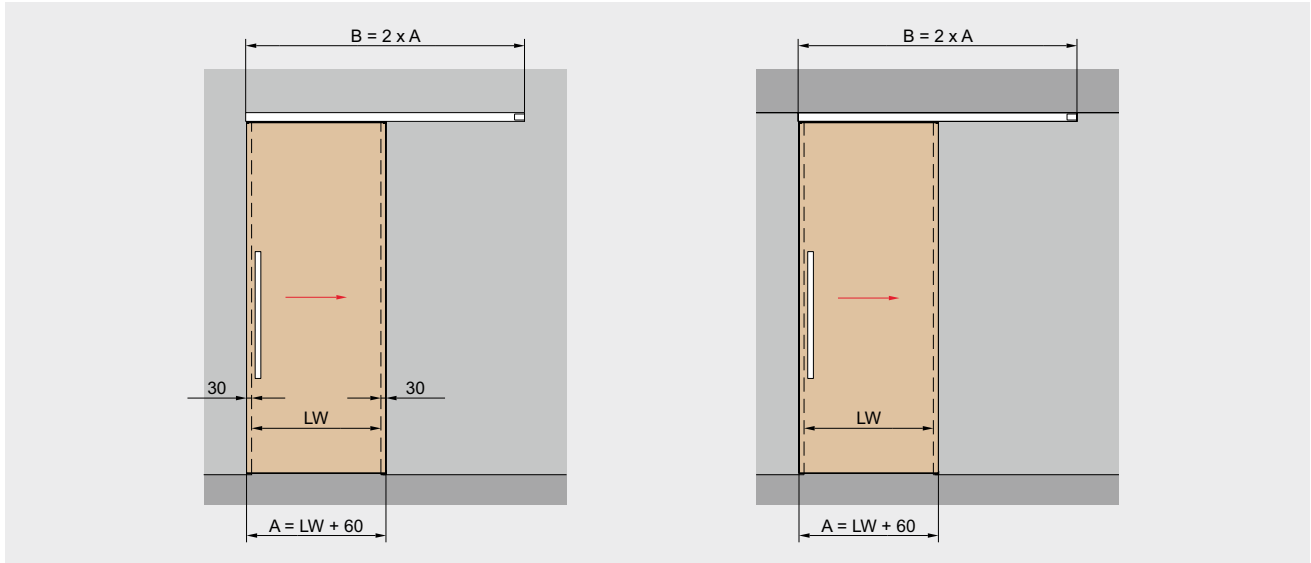
You will find a calculation tool for the glass preparation of the fixed parts MUTO on glass under the following link <https://glas-innovationen.com/glass-innovations/muto>

Glass preparation	Product description	Glass thickness
<p>Detail X</p>	For installation with two panels Max. weight of door panels 80 kg Calculation of glass height $GH1 = LH + 18 \text{ mm}$ max. 3,000 mm Calculation of glass width $A = LW / 2 + 27 \text{ mm}$	8 – 13.5 mm

Fixed at glass	Product description	L 80								
	To ensure a correct and aligned mounting of the track rail, a fully supporting fixed panel must be installed.	<table border="1"> <tbody> <tr> <td>min. glass width without DORMOTION</td> <td>660 mm</td> </tr> <tr> <td>min. clear opening width without DORMOTION</td> <td>1,270 mm</td> </tr> <tr> <td>max. Glass width</td> <td>1,250 mm</td> </tr> <tr> <td>max. Clear opening width</td> <td>2,450 mm</td> </tr> </tbody> </table>	min. glass width without DORMOTION	660 mm	min. clear opening width without DORMOTION	1,270 mm	max. Glass width	1,250 mm	max. Clear opening width	2,450 mm
min. glass width without DORMOTION	660 mm									
min. clear opening width without DORMOTION	1,270 mm									
max. Glass width	1,250 mm									
max. Clear opening width	2,450 mm									

- A = Glass width
- AB = Quantity of drillings
- B = Length of track
- BA = Drilling distance
- H = Total height
- LH = Clear opening height
- LW = Clear opening width
- GH1 = Glass height sliding door
- T = Quantity of drillings distance signed with BA
- t1 = Glass thickness sliding door (8 – 13.5 mm)
- t2 = Glass thickness fixed panel (10 – 19 mm)
- Y = 71 mm – 17 mm – t1

Type illustrations for timber door applications

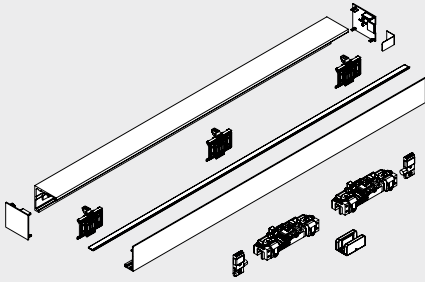
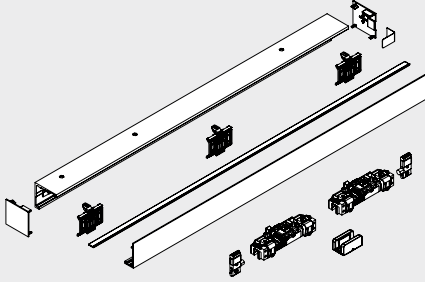
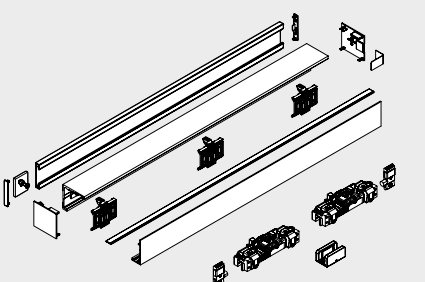


Fixed at wall	Fixed at ceiling	Product description	Wood thickness
		<p>For installation with one door panel</p> <p>Max. weight of door panels 80 kg</p> <p>Calculation of door height fixed at wall $TH = LH - 18 + X$ mm max. 3,000 mm</p> <p>Calculation of door height fixed at ceiling $TH = H - 76$ mm max. 3,000 mm</p> <p>Calculation of door width $A = LW + 60$ mm min. 660 mm max. 2,000 mm</p>	<p>28–50 mm</p>
<p>* Timber door 100 mm, solid wood, for attachment to timber adapter.</p>			

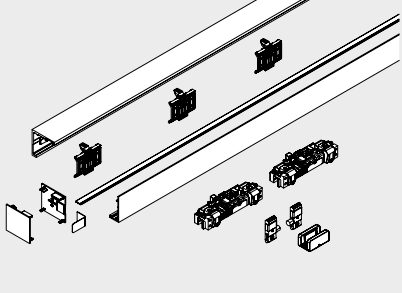
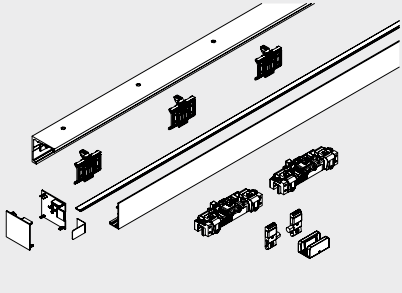
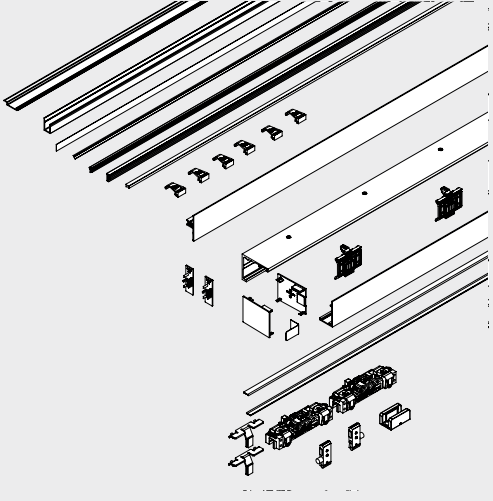
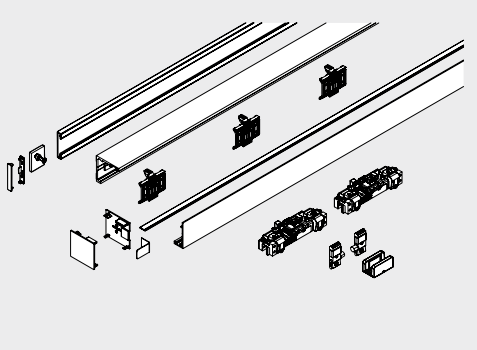
- A = Glass width
- B = Length of track
- H = Total height
- LH = Clear opening height

- LW = Clear opening width
- TH = Door height
- U = Wood thickness
- X = Freely selectable protrusion (depending on structural conditions)

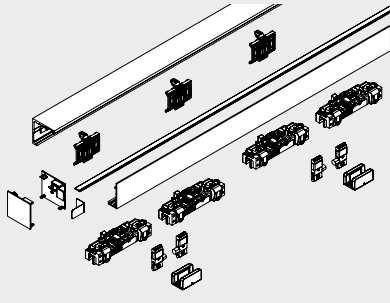
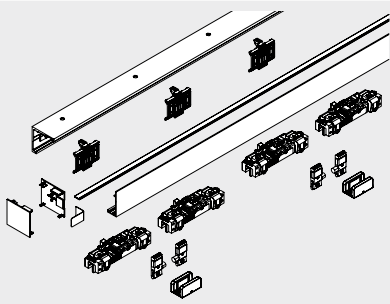
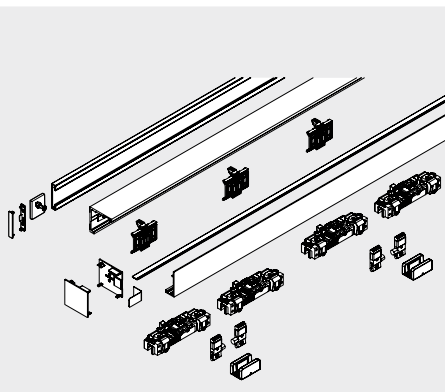
Complete sets - defined lengths

	Product description	Panel width	Profile length	Glass thickness	Art. No.	
	MUTO Comfort L 80 Set	1,100	2,180	8 – 13.5 mm	36.300	
	for wall installation incl. track profile, cover profile and brushes, accessory set, end caps max. 80 kg	1,450	2,880	8 – 13.5 mm	36.301	
	MUTO Comfort L 80 Set	1,100	2,180	8 – 13.5 mm	36.302	
	for ceiling installation incl. track profile, cover profile and brushes, accessory set, end caps max. 80 kg	1,450	2,880	8 – 13.5 mm	36.303	
	MUTO Comfort L 80 Set	Clear opening width 1,050 1,250	Panel width 1,110 1,310	Profile length 2,287 2,687	Glass thickness 8 – 13.5 mm 8 – 13.5 mm	Art. No. 36.304 36.305
	for glass installation incl. track profile, cover profile and brushes, counter profile, accessory set, end caps max. 80 kg Note: Please take note of glass preparation on page 37					

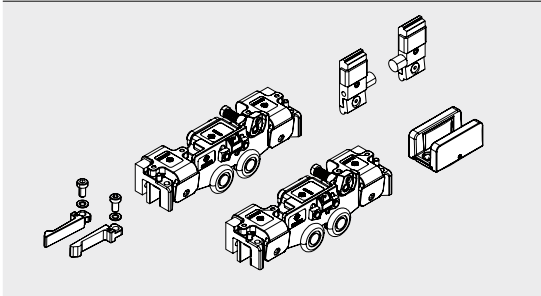
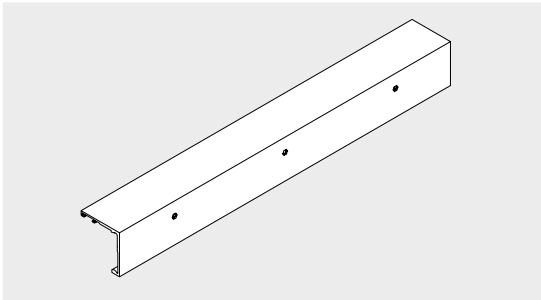
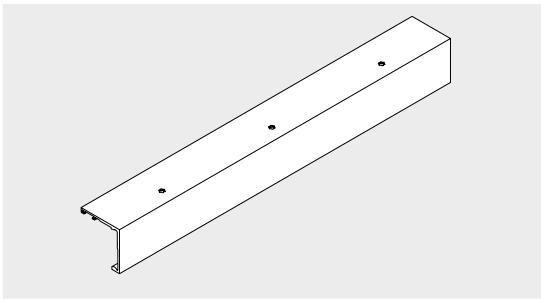
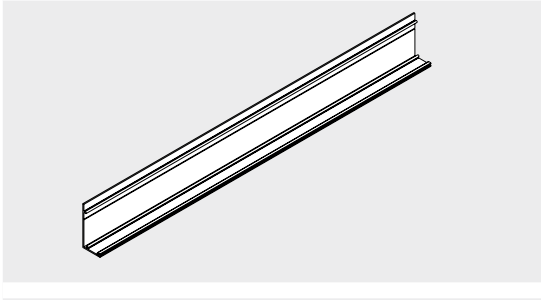
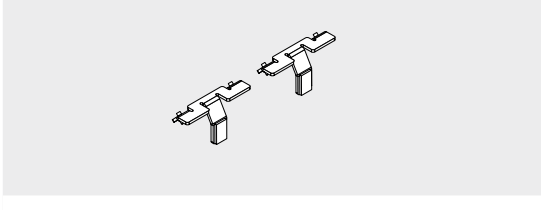
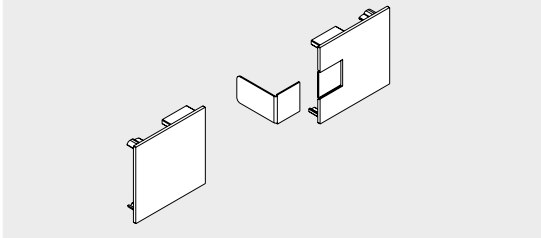
Complete sets - individual lengths

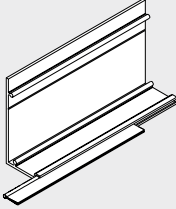
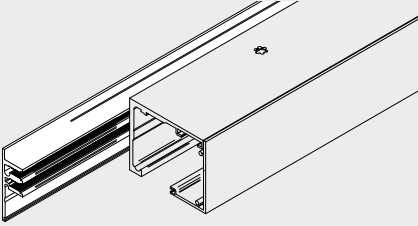
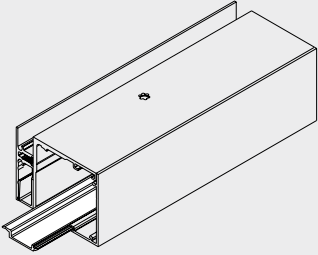
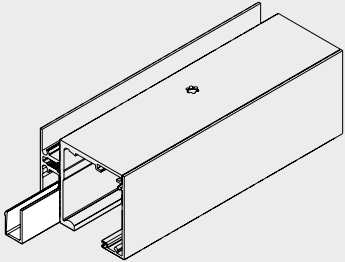
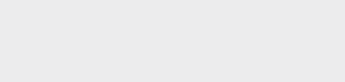
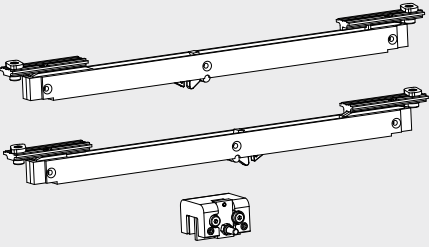
	Product description	Glass thickness	Art. No.
	<p>MUTO Comfort L 80 Set <i>for wall installation</i> Individual profile length up to max. 5,940 mm incl. track profile, cover profile and brushes, accessory set, end caps</p> <p>max. 80 kg</p> <p><i>Please indicate clear opening width or track length with order!</i></p>	8 – 13.5 mm	36.320
	<p>MUTO Comfort L 80 Set <i>for ceiling installation</i> Individual profile length up to max. 5,940 mm incl. track profile, cover profile and brushes, accessory set, end caps</p> <p>max. 80 kg</p> <p><i>Please indicate clear opening width or track length with order!</i></p>	8 – 13.5 mm	36.321
	<p>MUTO Comfort L 80 Complete set <i>fixed at ceiling, sidelight</i> Individual profile length up to max. 5,940 mm incl. track profile, cover profile, sidelight profile, view protection profile, filler profile, brushes, accessory set, end caps</p> <p>max. 80 kg</p> <p><i>Please indicate track length with order!</i></p>	8 – 13,5 mm	36.306
	<p>MUTO Comfort L 80 Set <i>for glass installation</i> Individual profile length up to max. 4,067 mm incl. track profile, cover profile and brushes, counter profile, accessory set, end caps</p> <p>max. 80 kg</p> <p><i>Please indicate clear opening width with order!</i></p> <p>Note: Please take note of glass preparation on page 37</p>	8 – 13.5 mm	36.322

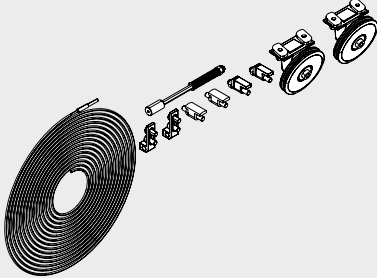
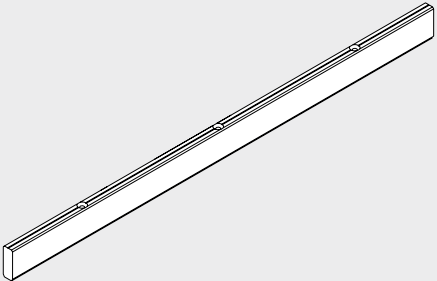
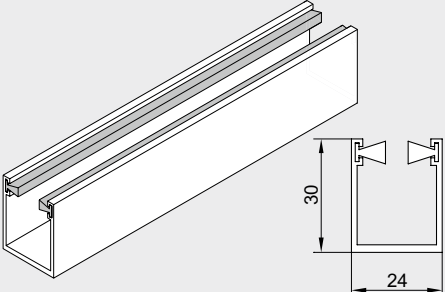
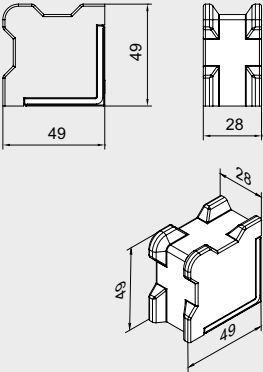
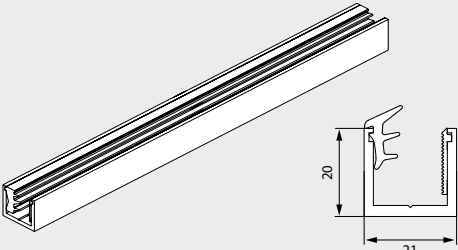
Complete sets – individual lengths with two door panels

	Product description	Glass thickness	Art. No.
	<p>MUTO Comfort L 80 Set for 2-panel door, wall installation Individual profile length up to max. 5,940 mm, incl. track profile, cover profile and brushes, accessory sets, end caps</p> <p>max. 2 x 80 kg</p> <p>Please indicate clear opening width or track length with order!</p>	8 – 13.5 mm	36.323
	<p>MUTO Comfort L 80 Set for 2-panel door, ceiling installation Individual profile length up to max. 5,940 mm, incl. track profile, cover profile and brushes, accessory sets, end caps</p> <p>max. 2 x 80 kg</p> <p>Please indicate clear opening width or track length with order!</p>	8 – 13.5 mm	36.324
	<p>MUTO Comfort L 80 Set for 2-panel door, glass installation Individual profile length up to max. 5,012 mm, incl. track profile, cover profile and brushes, counter profile, accessory sets, end caps</p> <p>max. 2 x 80 kg</p> <p>Please indicate clear opening width with order!</p> <p>Note: Please take note of glass preparation on page 38</p>	8 – 13.5 mm	36.325

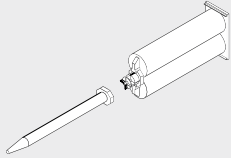
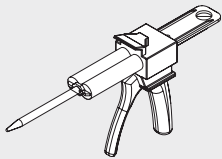
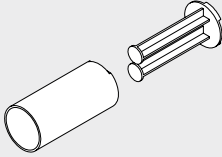
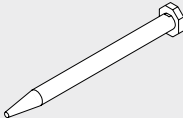
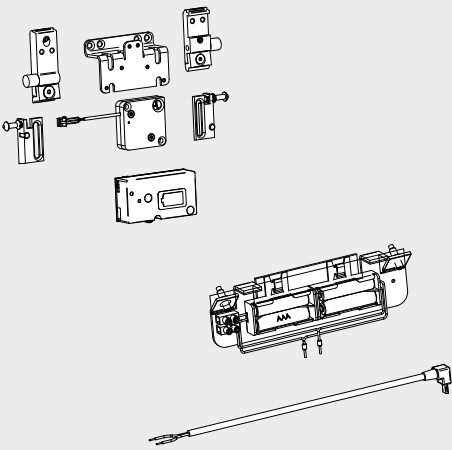

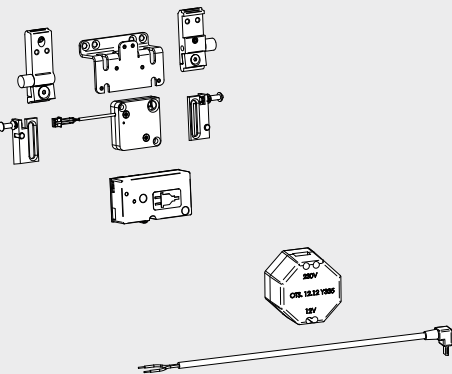
Component parts

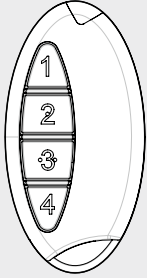
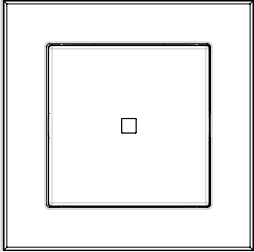
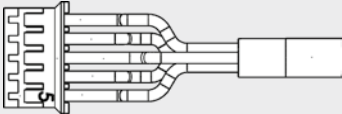
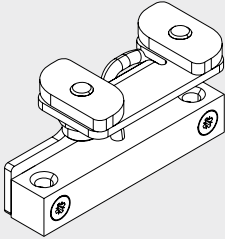
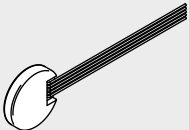
	Product description	Glass thickness	Art. No.
	Accessory set Consisting of: 2 Clamp carriers 2 Endstops 1 Floor guide		36.349
	Track rail <i>for wall installation</i> stock length 6,000 mm fixed length		36.350 36.351
	Track rail <i>for ceiling installation</i> stock length 6,000 mm fixed length		36.352 36.353
	Cover profile stock length 6,000 mm fixed length		36.359 36.360
	MUTO spacer (2 pieces) <i>for installation between two walls</i>		36.890
	MUTO Comfort L 80 Set endcaps <i>for wall and ceiling installation</i>		36.354

	Product description	Glass thickness	Art. No.
	<p>MUTO Brush profile set for Comfort L and Premium XL Consisting of: 1 Brush profile 8 – 10 mm glass 1 brush profile 12 – 13.5 mm glass</p>		36.265
	<p>MUTO Comfort M 60 + L 80 Side light profile 58 mm height, with gaskets, for 8 – 13.5 mm glass</p> <p>When installing between two walls, please give particular attention to the width of the end covers (each 2 mm).</p>		36.271
	<p>MUTO Filling profile for Comfort L, Premium XL and Self-Closing, for side light profile</p> <p>stock length 6,000 mm fixed length</p>		36.800
	<p>MUTO Filling profile for Comfort M + L, Premium XL and Self-Closing,</p> <p>stock length 6,000 mm fixed length</p>		36.802
	<p>MUTO Comfort M 60 + L 80 End caps for side light profile, 58 mm height each 2 mm width (When installing between two walls, please give particular attention to it.)</p>		36.273
	<p>DORMOTION unit Panel width min 660 mm, for max. 80 kg, incl. starter</p> <p>When using a DORMOTION damping unit, we recommend installation of a pull handle.</p>		36.361 Optional

	Product description	Glass thickness	Art. No.
	<p>MUTO Comfort L 80 Synchro set Consisting of: 1 Wire 2 Pulley</p> <p>Max. 80 kg per panel</p>		<p>36.357 Optional</p>
	<p>MUTO Comfort L 80 Timber adapter set Profil 12.5 x 36 mm, incl. Accessories (with timber floor guide)</p> <p>1,460 mm fixed length</p> <p>Please indicate the wooden door leaf width when ordering!</p>		<p>36.261 36.262</p>
	<p>MUTO Premium XL 80/150 Subsurface floor guide track rail with brushes</p> <p>stock length 6,000 mm fixed length</p>		<p>36.561 36.562</p>
	<p>MUTO Comfort Floorstop for Comfort L and Premium XL, for glass- oder timber side light</p>		<p>36.851</p>
	<p>MUTO Floor profile for Comfort M + L and Premium XL, for fixing side light, with gaskets, incl. end caps</p> <p>stock length 6,000 mm fixed length</p>	<p>8 – 13.5 mm</p>	<p>36.810 36.811</p>

	Product description	Glass thickness	Art. No.
	<p>MUTO End caps (2 pieces) for Comfort M + L and Premium XL, for Floor profile, for fixing side light</p>		<p>36.812</p>
	<p>MUTO Comfort - balance profile set 12 mm, for installation over an existing door frame; compensates for the frame thickness; fixed length</p>		<p>36.872</p>
	<p>MUTO Comfort - balance profile set 24 mm, for installation over an existing door frame; compensates for the frame thickness; fixed length</p>		<p>36.873</p>
	<p>MUTO Comfort Connecting profile for false ceiling, incl. accessory set</p> <p>stock length 6,000 mm fixed length</p> <p><i>To be bolted on site to the track rail.</i></p>		<p>36.821 36.820</p>
	<p>MUTO Comfort L 80 LSG set Accessory set for use with LSG for one pair of clamp carrier</p> <p>Consisting of: 2 Gaskets 4 Injector screw</p> <p><i>Please order the LSG glue 07.631 separately</i></p>		<p>36.270</p>

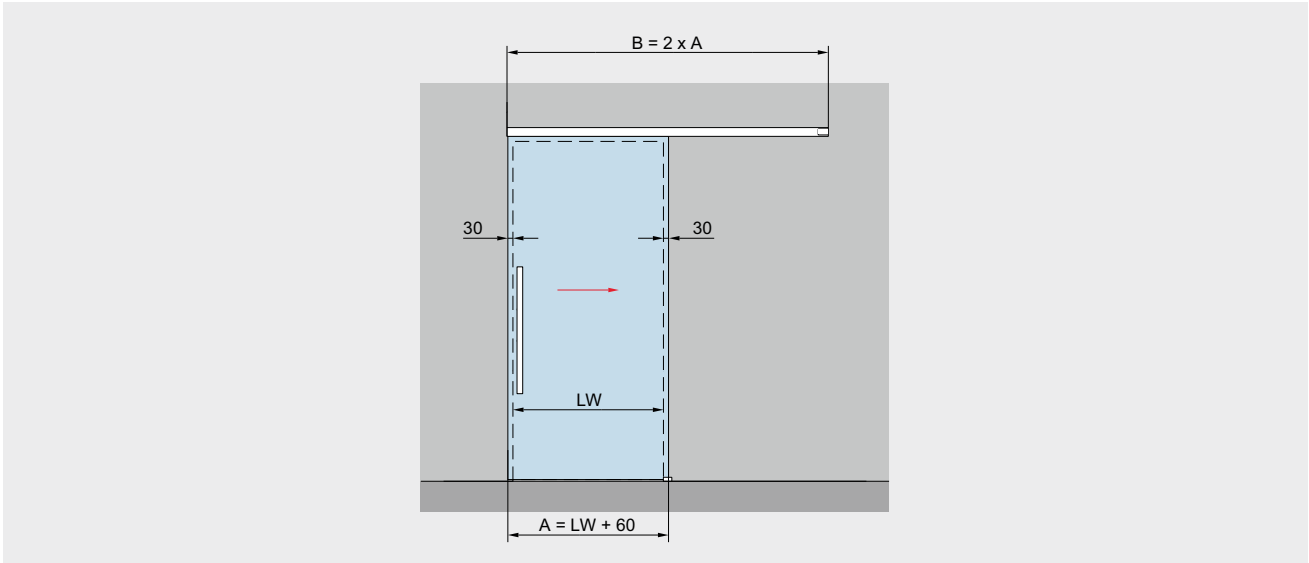
	Product description	Glass thickness	Art. No.
	<p>Special adhesive for use with LSG The contents of the cartridge are sufficient for 10 clamp carriers (varies if the nozzle contents have dried out!) If necessary, order additional spare nozzles (art. no. 07630).</p>		07.631
	<p>Automix gun for LSG Use in combination with article 07.631</p>		07.629
	<p>Automix adapter for LSG Use in combination with article 07.631</p>		07.628
	<p>Spare nozzle for LSG Use in combination with article 07.631</p>		07.630
	<p>MUTO Integrated locking device Battery for Comfort L, Premium XL, Premium Self-Closing and Premium Telescopic (not suitable as a security barrier) Consisting of: 1 receiver unit 1 mounting bracket for locking 1 locking device 1 stopper XL 4 batteries (Energizer L92 Ultimate Lithium: AAA1,5V) 1 battery carrier</p>		36.859
	<p>Battery for re-ordering</p>		36.886
	<p>MUTO Integrated locking device Battery for Comfort L, Premium XL, Premium Self-Closing and Premium Telescopic (not suitable as a security barrier) Consisting of: 1 receiver unit 1 mounting bracket for locking 1 locking device 1 stopper XL</p> <p>Attention: Not suitable for Synchro version.</p>		38.885

	Product description	Glass thickness	Art. No.
	<p>MUTO Radio remote control for Comfort L, Premium XL and Self-Closing,</p> <p>1 Radio remote control 1 Battery</p>		36.848
	<p>MUTO Wall switch with radio remote control for Comfort L, Premium XL and Self-Closing,</p> <p>1 Wall switch 1 Battery</p>		36.849
	<p>MUTO Accessory for locking unit for Comfort L, Premium XL and Self-Closing,</p> <p>1 cable set for an optional use of the status indicator integrated in the locking unit</p>		36.855
	<p>MUTO Status indicator set for Comfort L and Premium XL</p> <p>Consisting of: 1 Sensor 1 Adapter for track reception 1 Cable</p>		36.840
	<p>Concealed transmitter BRC-T dormakaba bi-directional flush-mounted radio transmitter BRC-T, battery-operated, for installation in a switch with a deep flush-mounting box</p>		29301003

Vertical brush seals can be found on page 168

Space for your notes

Type illustrations wall installation

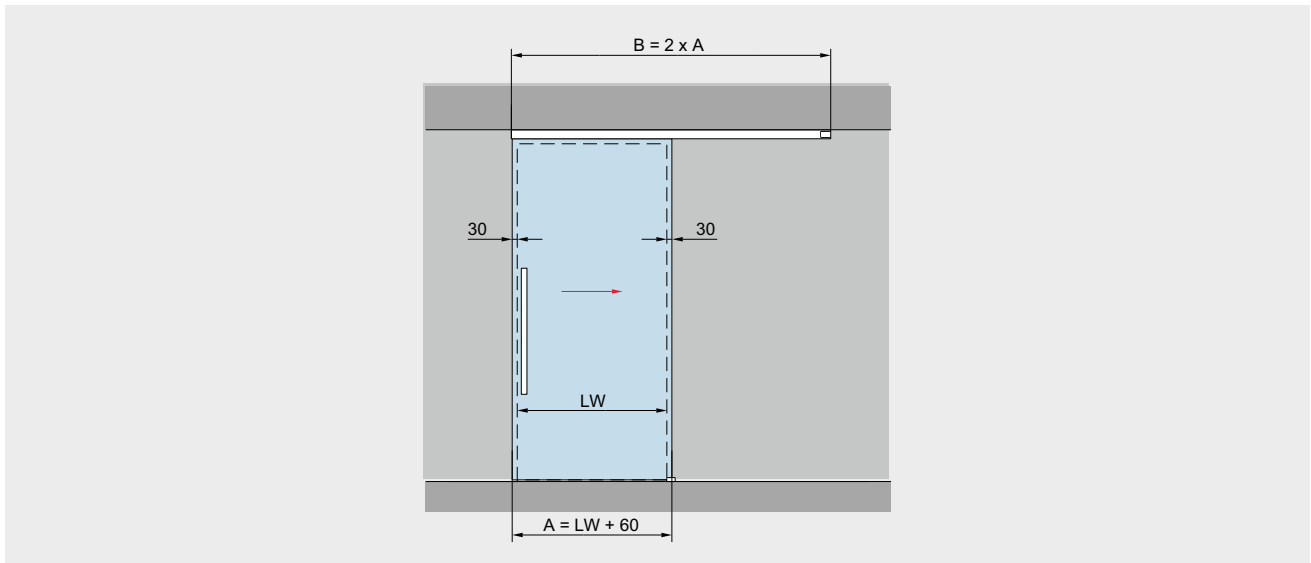


Fixed at wall	Product description	Glass thickness
	<p>For installation with one door panel</p> <p>Max. weight of door panels 80 kg 150 kg</p> <p>Calculation of glass height GH1 = LH + 22 + X mm max. 3,000 mm</p> <p>Calculation of glass width A = LW + 60 mm min. 660 mm max. 2,500 mm max. 2 x 1,470 mm</p>	8 – 13.5 mm

- A = Glass width
- B = Length of track
- GH1 = Glass height sliding door
- H = Total height
- LH = Clear opening height

- LW = Clear opening width
- t1 = Glass thickness sliding door
- Y = 72 mm – 20 mm – t
- X = Freely selectable protrusion (depending on structural conditions)

Type illustrations ceiling installations



Fixed at ceiling

Product description

Glass thickness

For installation with one door panel

8 – 13.5 mm

Max. weight of door panels

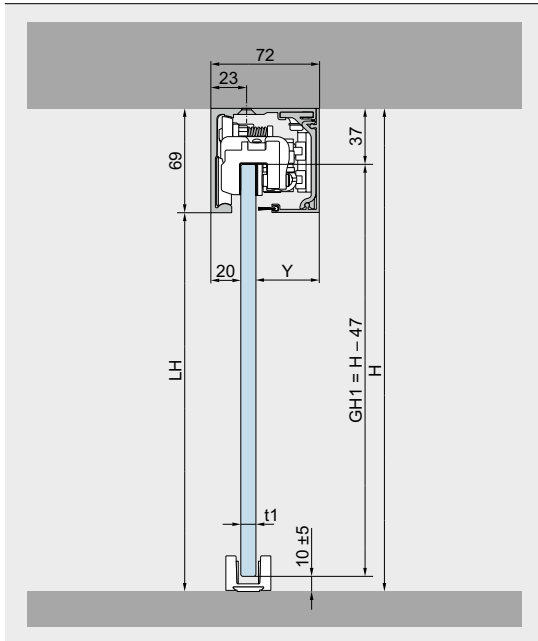
80 kg
150 kg

Calculation of glass height

$GH1 = H - 47 \text{ mm}$
max. 3,000 mm

Calculation of glass width

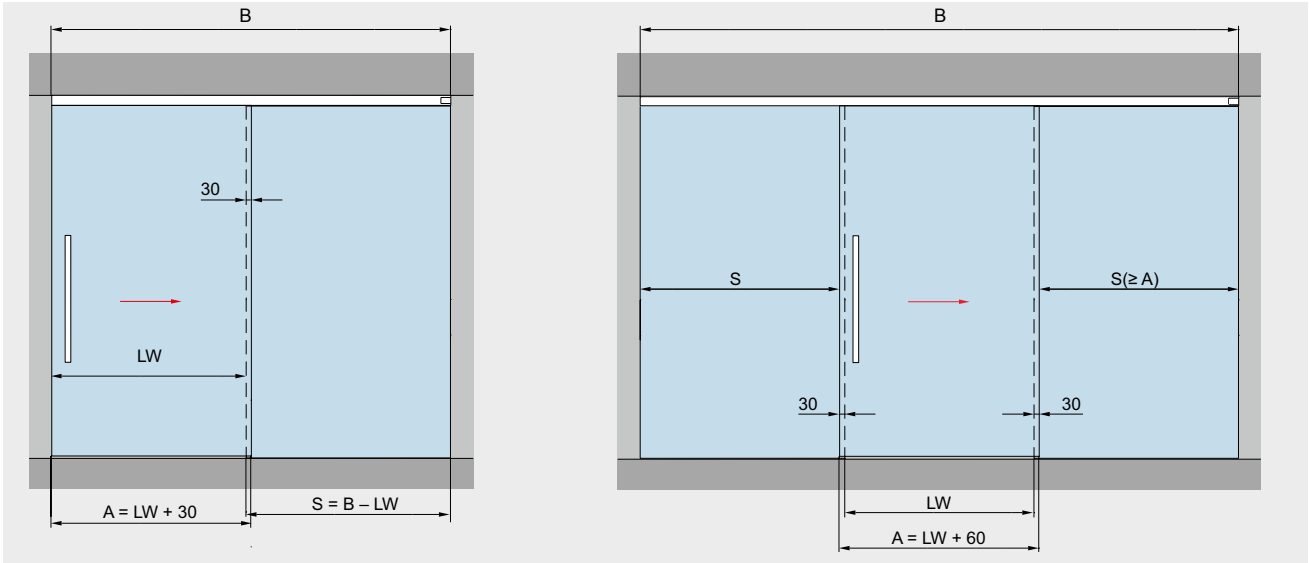
$A = LW + 60 \text{ mm}$
min. 660 mm
max. 2,500 mm
max. $2 \times 1,470 \text{ mm}$



A = Glass width
B = Length of track
GH1 = Glass height sliding door
H = Total height

LH = Clear opening height
LW = Clear opening width
t1 = Glass thickness sliding door
Y = $72 \text{ mm} - 20 \text{ mm} - t$

Type illustrations with sidelight

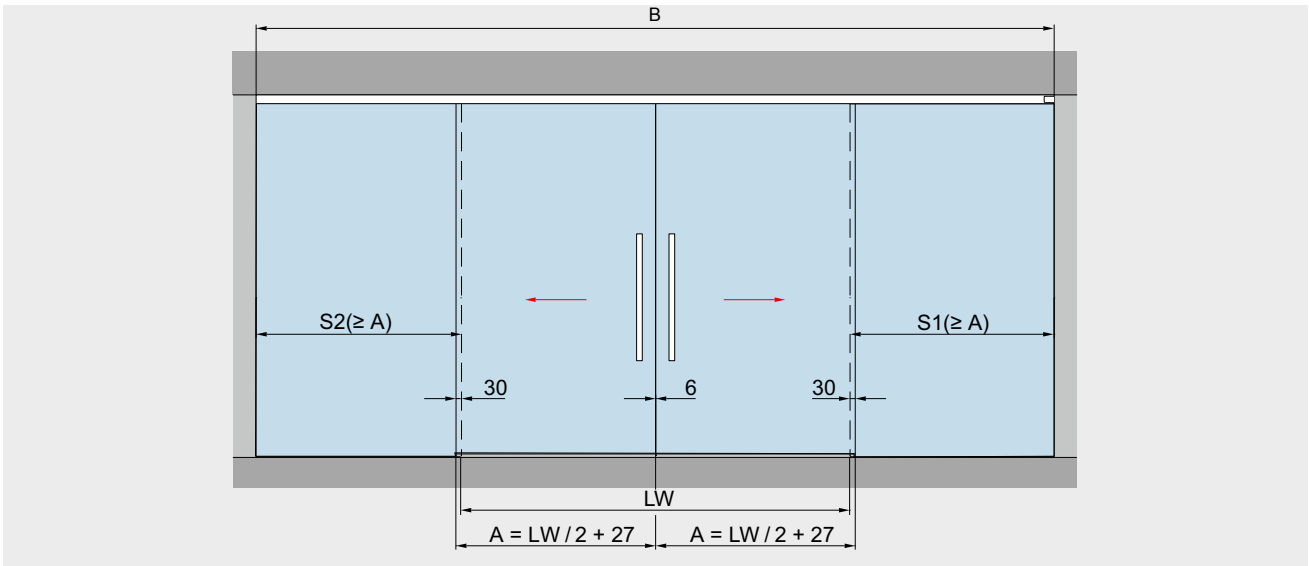


Fixed at ceiling	Fixed at false ceiling	Product description	Glass thickness
		<p>For installation with one door panel</p> <p>Max. weight of door panels 80 kg 150 kg</p> <p>Calculation of glass height for installation at ceiling GH1 = H - 47 mm GH2 = LH + 7 mm max. 3,000 mm</p> <p>Calculation of glass height for installation at false ceiling GH1 = LH + 21 mm GH2 = LH + 7 mm max. 3,000 mm</p> <p>Calculation of glass width A = LW + 30 mm min. 660 mm max. 2.500 mm</p>	8 – 13.5 mm

- A = Glass width
- B = Length of track
- GH1 = Glass height sliding door
- GH2 = Glass height sidelight
- H = Total height
- LH = Clear opening height

- LW = Clear opening width
- S = Glass width sidelight
- t1 = Glass thickness sliding door
- t2 = Glass thickness sidelight
- Y = 72 mm - 20 mm - t1

Type illustrations with two door panels with sidelights



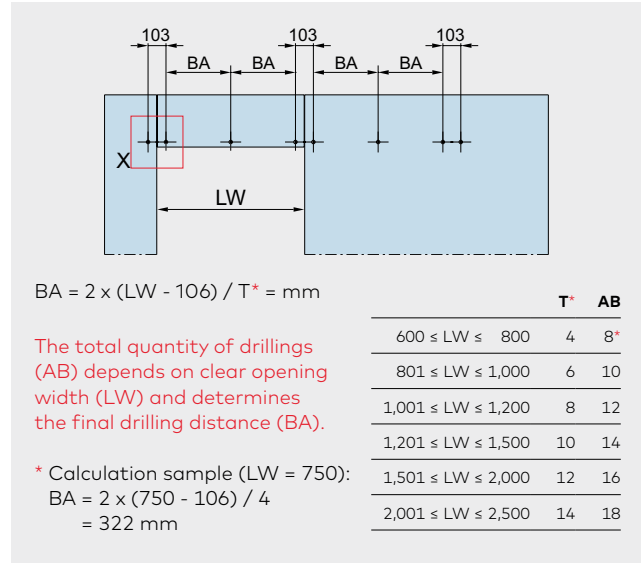
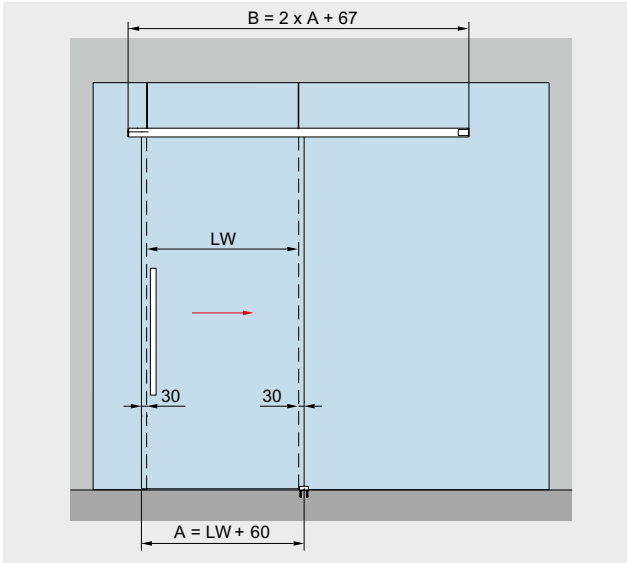
Fixed at ceiling	Fixed at false ceiling	Product description	Glass thickness
		<p>For installation with two door panels with sidelights</p> <p>Max. weight of door panels 80 kg 150 kg</p> <p>Calculation of glass height for installation at ceiling GH1 = H - 47 mm GH2 = LH + 7 mm max. 3,000 mm</p> <p>Calculation of glass height for installation at false ceiling GH1 = LH + 21 mm GH2 = LH + 7 mm max. 3,000 mm</p> <p>Calculation of glass width A = LW / 2 + 27 mm min. 660 mm max. 2 x 1.470 mm</p>	8 – 13.5 mm

- A = Glass width
- B = Length of track
- GH1 = Glass height sliding door
- GH2 = Glass height sidelight
- H = Total height

- S1/S2 = Glass width sidelight
- LH = Clear opening height
- LW = Clear opening width
- t1 = Glass thickness sliding door
- t2 = Glass thickness sidelight

Y = 72 mm - 20 mm - t1

Type illustrations glass installation



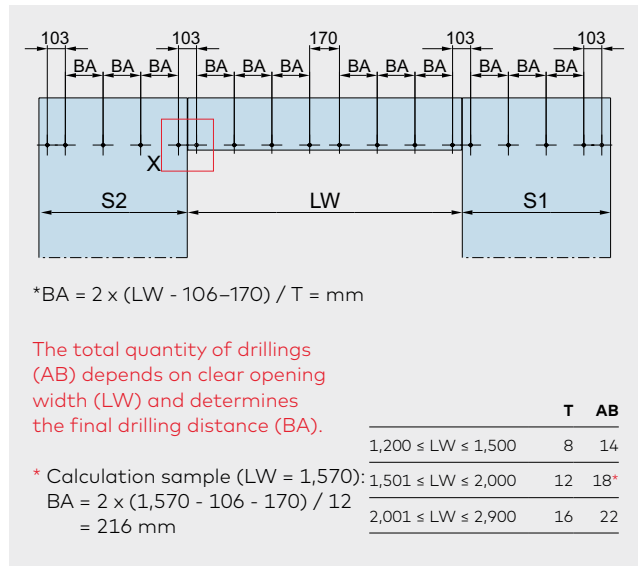
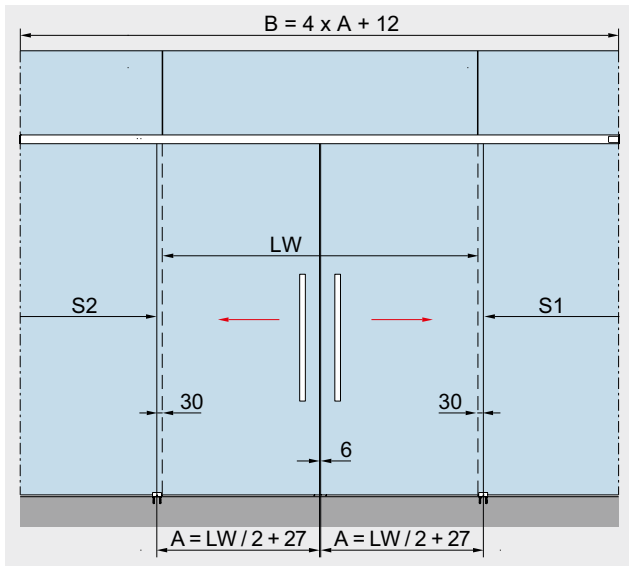
You will find a calculation tool for the glass preparation of the fixed parts MUTO on glass under the following link <https://glas-innovationen.com/glass-innovations/muto>

Glass preparation	Product description	Glass thickness
<p>Detail X</p>	For installation with one door panel Max. weight of door panels 80 kg, 150 kg Calculation of glass height $GH = LH + 22 \text{ mm}$, max. 3,000 mm Calculation of glass width $A = LW + 60 \text{ mm}$ min. 660 mm max. 2,500 mm	8 – 13.5 mm

Fixed at glass	Product description	XL 80	XL 150
	To ensure a correct and aligned mounting of the track rail, a fully supporting fixed panel must be installed. MUTO Premium		
	min. glass width	660 mm	660 mm
	min. clear opening width	600 mm	600 mm
	max. Glass width	2,500 mm	2,500 mm
	max. Glass width	2,440 mm	2,440 mm

- A = Glass width
- AB = Quantity of drillings
- B = Length of track
- BA = Drilling distance
- H = Total height
- LH = Clear opening height
- LW = Clear opening width
- GH1 = Glass height sliding door
- T = Quantity of drillings distance signed with BA
- t1 = Glass thickness sliding door (8 – 13.5 mm)
- t2 = Glass thickness fixed panel (10 – 19 mm)
- Y = 72 mm – 20 mm – t1

Type illustrations with two door panels fixed at glass



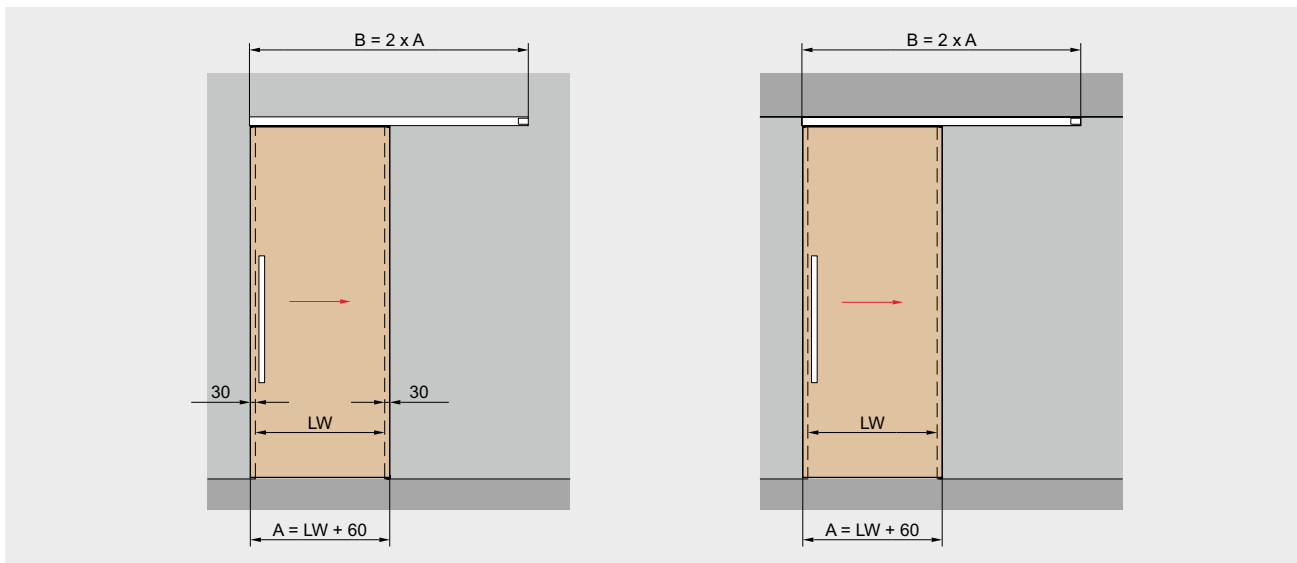
You will find a calculation tool for the glass preparation of the fixed parts MUTO on glass under the following link <https://glas-innovationen.com/glass-innovations/muto>

Glass preparation	Product description	Glass thickness
<p>Detail X</p>	For installation with two door panels with sidelights Max. weight of door panels 80 kg, 150 kg Calculation of glass height GH = LH + 22 mm, max. 3,000 mm Calculation of glass width A = LW / 2 + 27 mm min. 810 mm for Premium XL 80, max. 2 x 1,470 mm min. 1,020 mm for Premium XL 150, max. 2 x 1,470 mm	8 – 13.5 mm

Fixed at glass	Product description	XL 80	XL 150
	To ensure a correct and aligned mounting of the track rail, a fully supporting fixed panel must be installed. MUTO Premium		
	min. glass width	660 mm	660 mm
	min. clear opening width	1,270 mm	1,270 mm
	max. Glass width	2,500 mm	2,500 mm
	max. Glass width	2,440 mm	2,440 mm

- A = Glass width
- AB = Quantity of drillings
- B = Length of track
- BA = Drilling distance
- H = Total height
- LH = Clear opening height
- LW = Clear opening width
- GH1 = Glass height sliding door
- S1/S2 = Glass width sidelight
- T = Quantity of drillings distance signed with BA
- t1 = Glass thickness sliding door (8 – 13.5 mm)
- t2 = Glass thickness fixed panel (10 – 19 mm)
- Y = 72 mm – 20 mm – t1

Type illustrations for timber door applications



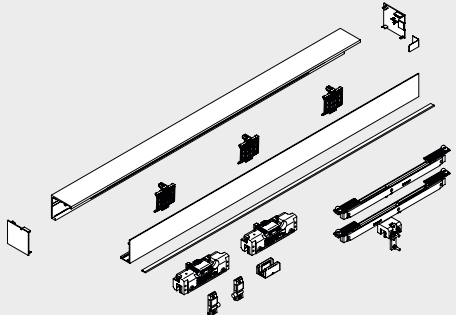
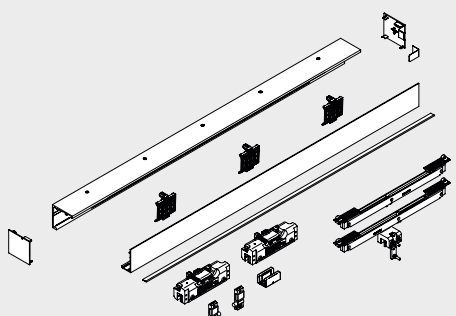
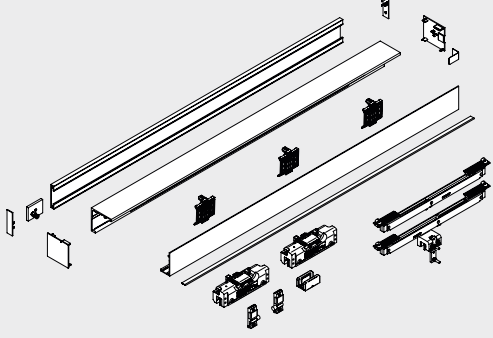
Fixed at wall	Fixed at ceiling	Product description	Wood thickness
		<p>For installation with one door panel</p> <p>Max. weight of door panels 80 kg 150 kg</p> <p>Calculation of door height fixed at wall $TH = LH - 18 + X$ mm max. 3,000 mm</p> <p>Calculation of door height fixed at ceiling $TH = H - 87$ mm max. 3,000 mm</p> <p>Calculation of door width $A = LW + 60$ mm min. 660 mm max. 2×1.470 mm</p>	28 – 50 mm
<p>* Timber door 100 mm, solid wood, for attachment to timber adapter.</p>			

- A = Glass width
- B = Length of track
- H = Total height
- LH = Clear opening height

- LW = Clear opening width
- TH = Door height
- U = Wood thickness
- X = Freely selectable protrusion (depending on structural conditions)

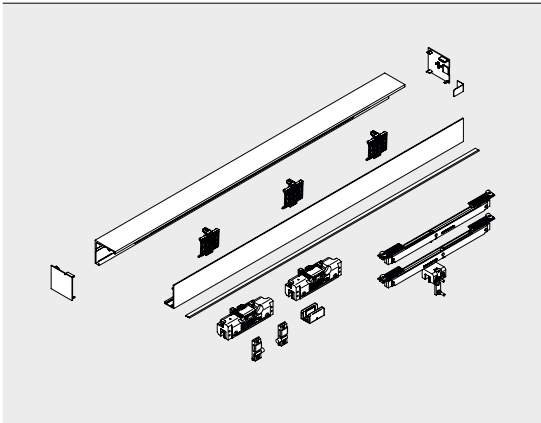
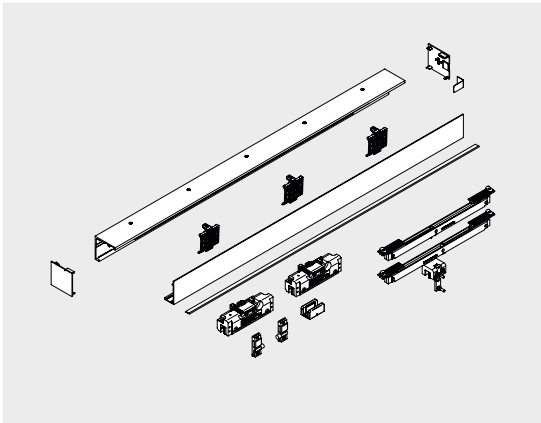
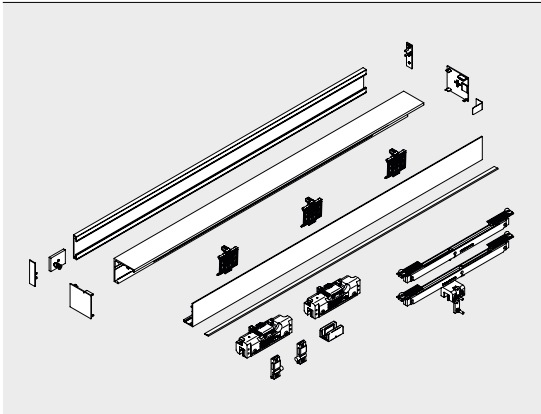
Space for your notes

Complete sets – defined lengths

	Product description	Panel width	Profile length	Glass thickness	Art. No.	
	MUTO	900	1,780	8 – 13.5 mm	36.500	
	Premium XL 80	1,200	2,380	8 – 13.5 mm	36.501	
	Set for wall installation	1,450	2,880	8 – 13.5 mm	36.502	
	incl. track profile, cover profile and brushes, DORMOTION unit*, accessory set, end caps					
	max. 80 kg					
	MUTO	900	1,780	8 – 13.5 mm	36.503	
	Premium XL 80	1,200	2,380	8 – 13.5 mm	36.504	
	Set for ceiling installation	1,450	2,880	8 – 13.5 mm	36.505	
	incl. track profile, cover profile and brushes, DORMOTION unit*, accessory set, end caps					
	max. 80 kg					
	Product description	Clear opening width	Panel width	Profile length	Glass thickness	Art. No.
	MUTO Premium XL 80	850	910	1,887	8 – 13.5 mm	36.506
	Set for glass installation	1,050	1,110	2,287	8 – 13.5 mm	36.507
		1,250	1,310	2,687	8 – 13.5 mm	36.508
	incl. track profile, cover profile and brushes, counter profile, DORMOTION unit*, accessory set, end caps					
	max. 80 kg					

*When using a DORMOTION damping unit, we recommend installation of a pull handle.

Note: Please take note of glass preparation on page 54

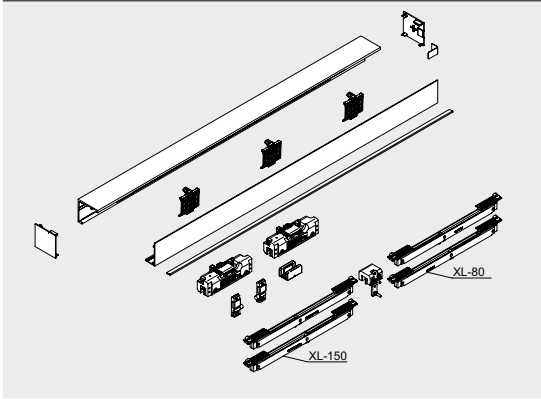
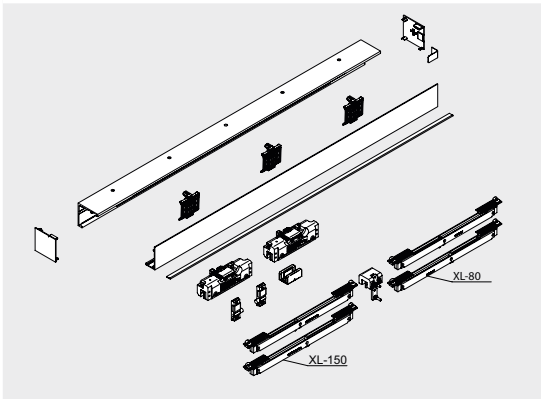
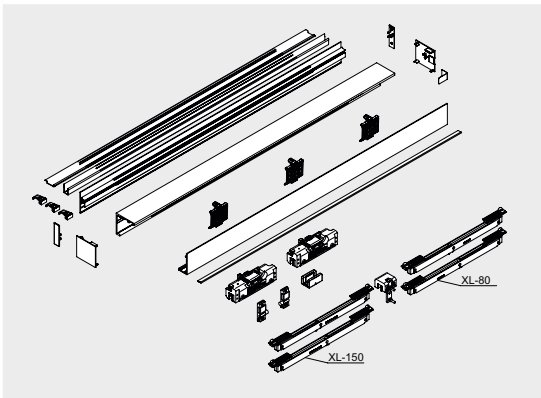
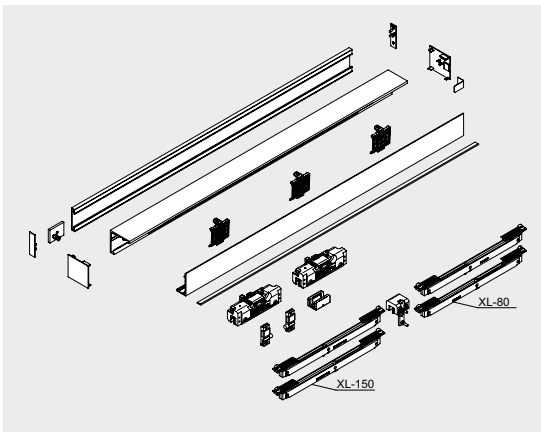
	Product description	Panel width	Profile length	Glass thickness	Art. No.	
	MUTO Premium XL 150 Set for wall installation	1,250 1,450	2,480 2,880	8 – 13.5 mm 8 – 13.5 mm	36.509 36.510	
	incl. track profile, cover profile and brushes, DORMOTION unit*, accessory set, end caps max. 150 kg					
	MUTO Premium XL 150 Set for ceiling installation	1,250 1,450	2,480 2,880	8 – 13.5 mm 8 – 13.5 mm	36.511 36.512	
	incl. track profile, cover profile and brushes, DORMOTION unit*, accessory set, end caps max. 150 kg					
	Product description	Clear opening width	Panel width	Profile length	Glass thickness	Art. No.
	MUTO Premium XL 150 Set for glass installation	1,250 1,400	1,310 1,460	2,687 2,987	8 – 13.5 mm 8 – 13.5 mm	36.513 36.514
	incl. track profile, cover profile and brushes, counter profile, DORMOTION unit*, accessory set, end caps max. 150 kg					

*When using a DORMOTION damping unit, we recommend installation of a pull handle.

Note: Please take note of glass preparation on page 54

Complete sets – individual lengths

Note: Please indicate the clear width (LW) or the track length when ordering. When "mounting on glass", please specify only the clearance (LW). Glass preparation see page 54.

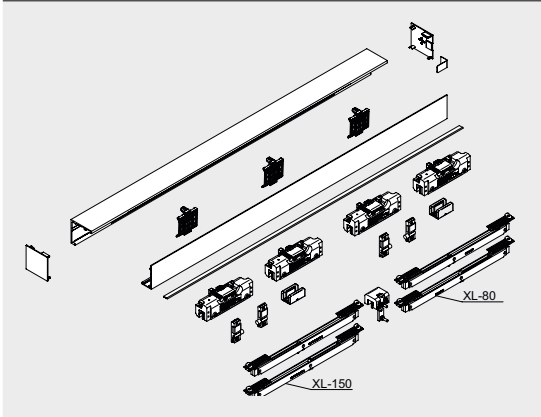
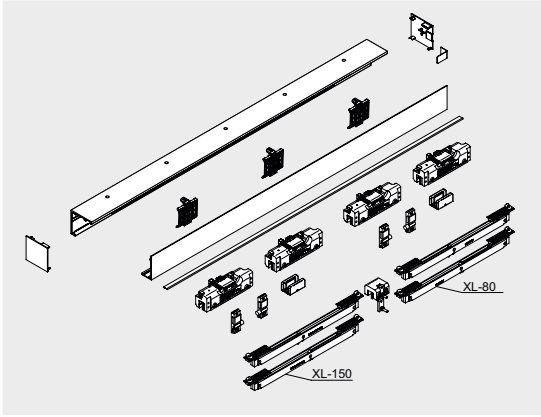
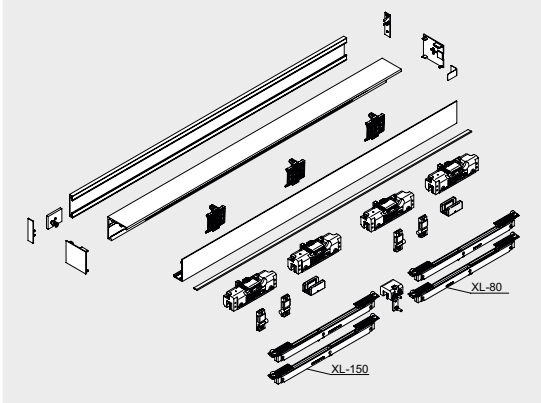
	Product description	Glass thickness	Art. No.
	MUTO Premium XL 80/150 Set for wall installation Individual profile length up to max. 5,940 mm incl. track profile, cover profile and brushes, DORMOTION unit*, accessory set, end caps		
	incl. DORMOTION XL – 80 max. 80 kg/min. 810 mm/max. 2,500 mm	8–13.5 mm	36.520
	incl. DORMOTION XL – 150 max. 150 kg/min. 1,020 mm/max. 2,500 mm	8–13.5 mm	36.521
	MUTO Premium XL 80/150 Set for ceiling installation Individual profile length up to max. 5,940 mm incl. track profile, cover profile and brushes, DORMOTION unit*, accessory set, end caps		
	incl. DORMOTION XL – 80 max. 80 kg/min. 810 mm/max. 2,500 mm	8–13.5 mm	36.522
	incl. DORMOTION XL – 150 max. 150 kg/min. 1,020 mm/max. 2,500 mm	8–13.5 mm	36.523
	MUTO Premium XL80/150 Complete set for installation at ceiling + side light Individual profile length up to max. 5,940 mm incl. track profile, cover profile, side light sight protection profile, filler profile, brushes, DORMOTION unit*, accessory set, end caps, max 80 kg		
	incl. DORMOTION XL – 80 max. 80 kg/min. 810 mm/max. 2,500 mm	8–13,5 mm	36.515
	incl. DORMOTION XL – 150 max. 150 kg/min. 1,020 mm/max. 2,500 mm	8–13,5 mm	36.516
	MUTO Premium XL 80/150 Set for glass installation Individual profile length up to max. 5,067 mm incl. track profile, cover profile and brushes, counter profile, DORMOTION unit*, accessory set, end caps		
	incl. DORMOTION XL – 80 max. 80 kg/min. 810 mm/max. 2,500 mm	8–13.5 mm	36.524
	incl. DORMOTION XL – 150 max. 150 kg/min. 1,020 mm/max. 2,500 mm	8–13.5 mm	36.525

Note: Please take note of glass preparation on page 54

*When using a DORMOTION damping unit, we recommend installation of a pull handle.

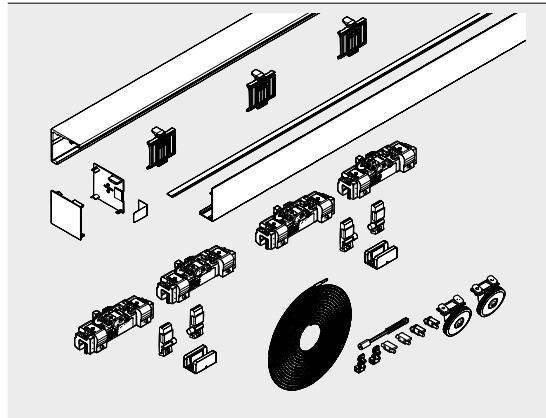
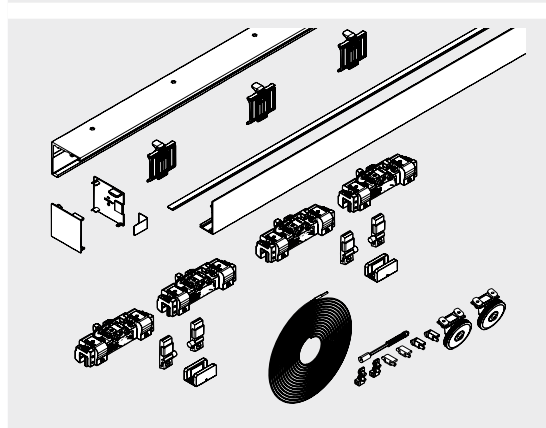
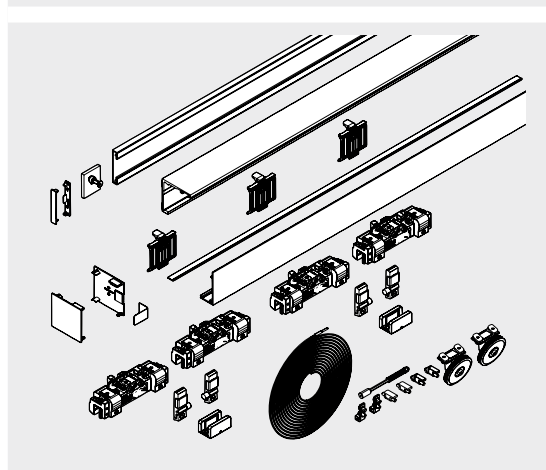
Complete sets – individual lengths, with two door panels

Note: Please indicate the clear width (LW) or the track length when ordering. When "mounting on glass", please specify only the clearance (LW). Glass preparation see page 55.

	Product description	Glass thickness	Art. No.
	MUTO Premium XL 80/150 Set for wall installation (with two door panels) Individual profile length up to max. 5,940 mm incl. track profile, cover profile and brushes, DORMOTION unit*, accessory sets, end caps		
	incl. DORMOTION XL – 80 max. 80 kg/min. 810 mm/max. 1,470 mm	8–13.5 mm	36.526
	incl. DORMOTION XL – 150 max. 150 kg/min. 1,020 mm/max. 1,470 mm	8–13.5 mm	36.527
	MUTO Premium XL 80/150 Set for ceiling installation (with two door panels) Individual profile length up to max. 5,940 mm incl. track profile, cover profile and brushes, DORMOTION unit*, accessory sets, end caps		
	incl. DORMOTION XL – 80 max. 80 kg/min. 810 mm/max. 1,470 mm	8–13.5 mm	36.528
	incl. DORMOTION XL – 150 max. 150 kg/min. 1,020 mm/max. 1,470 mm	8–13.5 mm	36.529
	MUTO Premium XL 80/150 Set for glass installation (with two door panels) Individual profile length up to max. 5,940 mm incl. track profile, cover profile and brushes, counter profile, DORMOTION unit*, accessory sets, end caps		
	incl. DORMOTION XL – 80 max. 80 kg/min. 810 mm/max. 1,470 mm	8–13.5 mm	36.530
	incl. DORMOTION XL – 150 max. 150 kg/min. 1,020 mm/max. 1,470 mm	8–13.5 mm	36.531

Note: Please take note of glass preparation on page 56

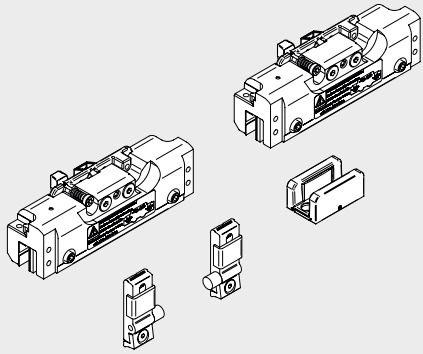
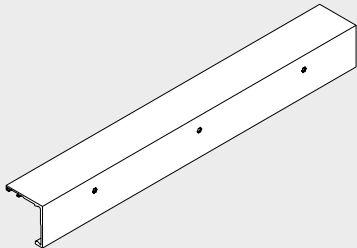
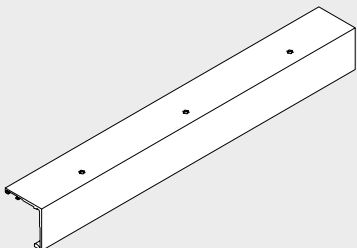
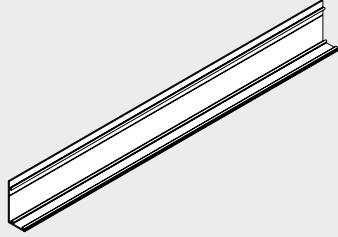
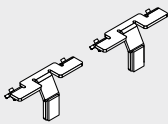
*When using a DORMOTION damping unit, we recommend installation of a pull handle.

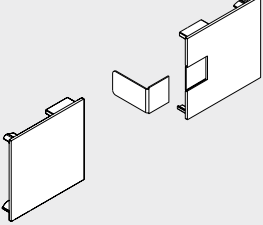
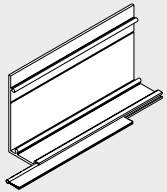
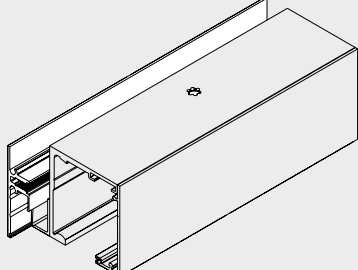
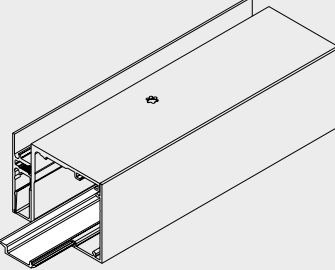
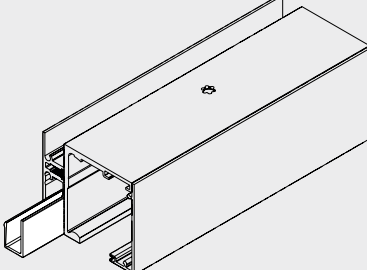
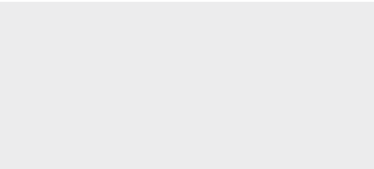
	Product description	Glass thickness	Art. No.
	<p>Premium XL Synchro Set for 2-panel door, wall installation, fixed length without DORMOTION Profile length xxxx mm* (max. 5,940 mm) Min. panel width 660 mm Max. panel width 1,470 mm</p> <p>Incl. track profile, cover profile and brushes</p>	8–13.5 mm	36.532
	<p>Premium XL Synchro Set for 2-panel door, ceiling installation, fixed length without DORMOTION Profile length xxxx mm* (max. 5,940 mm) Min. panel width 660 mm Max. panel width 1,470 mm</p> <p>Incl. track profile, cover profile and brushes</p> <p>Complete accessories for 8 – 13.5 mm glass thickness</p>	8–13.5 mm	36.533
	<p>Premium XL Synchro Set for 2-panel door, glass installation, fixed length without DORMOTION Profile length xxxx mm* (max. 5,940 mm) Min. panel width 660 mm (min. LW 1,266 mm) Max. panel width 1,470 mm (max. LW 2,886 mm)</p> <p>Incl. track profile, cover profile, counter profile and brushes</p>	8–13.5 mm	36.534

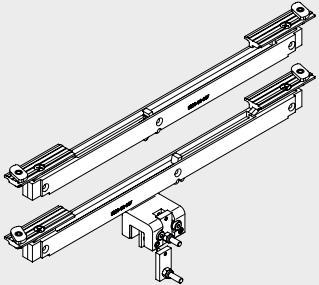
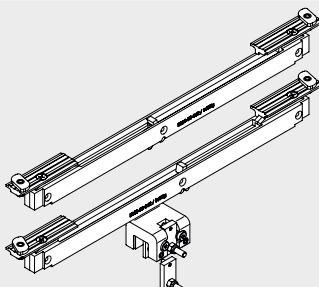
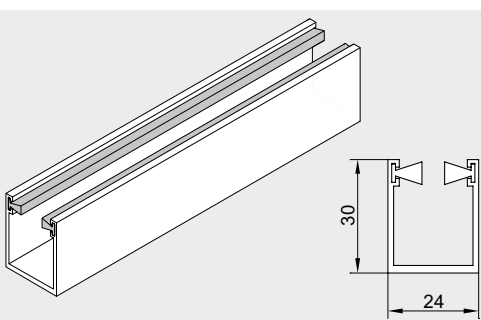
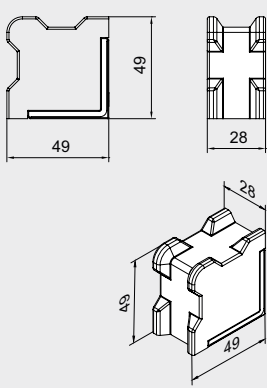
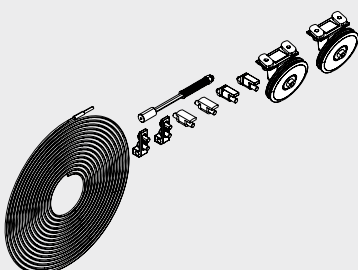
* to be defined by customer (Please take note of glass preparation on page 54)

Note: Please indicate the clear width (LW) or the track length when ordering. For "mounting on glass", please specify only the clear width (LW). Observe glass processing page 54.

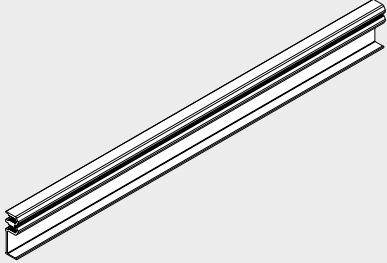
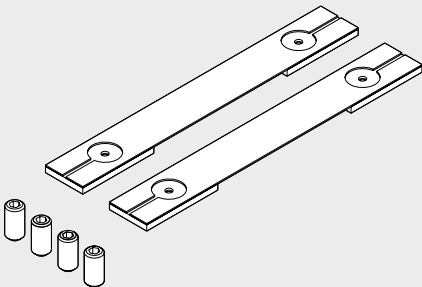
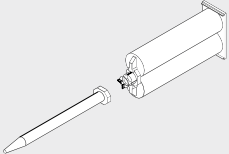
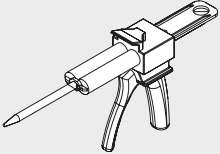
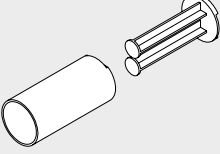
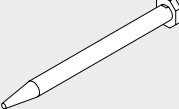
Component parts

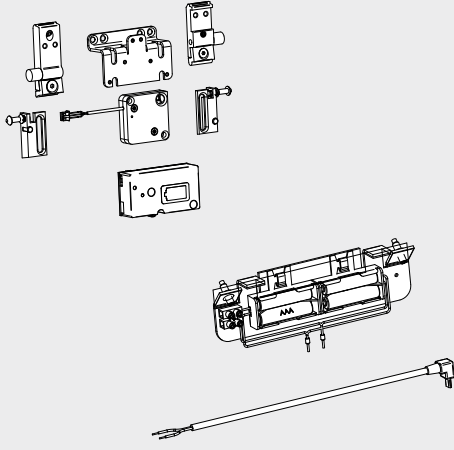
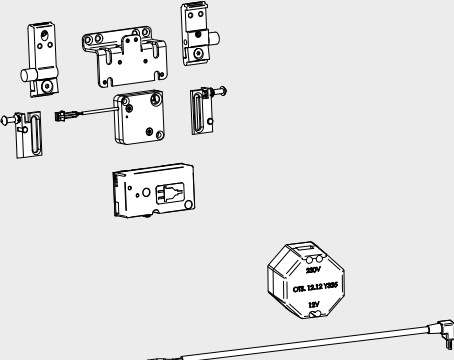
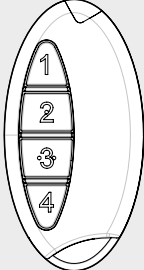
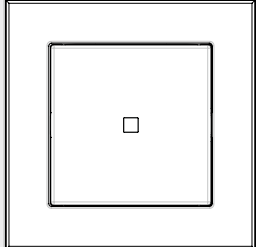
	Product description	Art. No.
	<p>MUTO Premium XL 80/150 Accessory set Consisting of: 2 Clamp carriers 2 Endstops 1 Floor guide</p>	<p>36.550</p>
	<p>MUTO Premium XL 80/150 Track rail DORMOTION <i>Fixed at wall</i></p> <p>stock length 6,000 mm fixed length</p>	<p>36.552 36.553</p>
	<p>MUTO Premium XL 80/150 Track rail DORMOTION <i>Fixed at ceiling</i></p> <p>stock length 6,000 mm fixed length</p>	<p>36.554 36.555</p>
	<p>MUTO Premium XL 80/150 Cover profile</p> <p>stock length 6,000 mm fixed length</p>	<p>36.566 36.567</p>
	<p>MUTO spacer (2 pieces) <i>for installation between two walls</i></p>	<p>36.890</p>

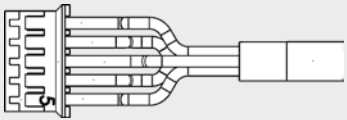
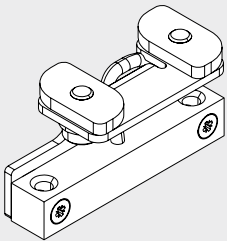
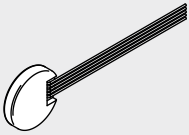
	Product description	Art. No.
	<p>MUTO Premium XL 80/150 Set endcaps for wall and ceiling installation</p>	<p>36.556</p>
	<p>MUTO Brush profile set for Comfort L and Premium XL Consisting of: 1 brush profile 8 – 10 mm glass 1 brush profile 12 – 13.5 mm glass</p>	<p>36.265</p>
	<p>MUTO Premium XL 80/150 Side light profile 69 mm high, with gaskets, for 8 – 13.5 mm glass</p> <p>stock length 6,000 mm fixed length</p> <p>When installing between two walls, please give particular attention to the width of the end covers (each 2 mm).</p>	<p>36.469 36.474</p>
	<p>MUTO Filling profile for Comfort L, Premium XL and Self-Closing, for side light profile</p> <p>stock length 6,000 mm fixed length</p>	<p>36.800 36.801</p>
	<p>MUTO Filling profile for Comfort L, Premium XL and Self-Closing,</p> <p>stock length 6,000 mm fixed length</p>	<p>36.802 36.803</p>
	<p>MUTO Premium XL 80/150 End caps for side light profile, 58 mm high each 2 mm width (When installing between two walls, please give particular attention to it.)</p>	<p>36.471</p>

	Product description	Art. No.
	<p>MUTO Premium XL 80 DORMOTION unit 2021 Panel width min. 660 mm for max. 80 kg, incl. starter</p> <p>When using a DORMOTION damping unit, we recommend installation of a pull handle.</p>	<p>36.570</p>
	<p>MUTO Premium XL 150 DORMOTION unit 2021 Panel width min. 660 mm for max. 150 kg, incl. starter</p> <p>When using a DORMOTION damping unit, we recommend installation of a pull handle.</p>	<p>36.571</p>
	<p>MUTO Premium XL 80/150 Subsurface floor guide track rail with brushes</p> <p>stock length 6,000 mm fixed length</p>	<p>36.561 36.562</p>
	<p>MUTO Comfort Floorstop for Comfort M, L and Premium XL, for glass- oder timber side light</p>	<p>36.851</p>
	<p>MUTO Premium XL 80/150 Synchro set Consisting of: 1 wire 2 pulley</p> <p>Max. 80 kg per panel</p> <p>only possible without locking device</p>	<p>36.560 Optional</p>

	Product description	Art. No.
	<p>MUTO Premium XL 80/150 Timber adapter set Profile 12.5 x 36 mm + 12.5 x 4 mm, incl. Accessories (with timber floor guide)</p> <p>1,460 mm fixed length max. 2,500 mm</p> <p>Please indicate the wooden door leaf width when ordering!</p>	<p>36.461 36.464</p>
	<p>MUTO Floor profile for Comfort L and Premium XL, for fixing side light, with gaskets, for 8 – 13.5 mm glass, incl. end caps</p> <p>stock length 6,000 mm fixed length</p>	<p>36.810 36.811</p>
	<p>MUTO End caps (2 pieces) for Comfort L and Premium XL, for Floor profile, for fixing side light</p>	<p>36.812</p>
	<p>MUTO Premium - balance profile set 12 mm, for installation over an existing door frame; compensates for the frame thickness; fixed length</p>	<p>36.870</p>
	<p>MUTO Premium - balance profile set 24 mm, for installation over an existing door frame; compensates for the frame thickness; fixed length</p>	<p>36.871</p>

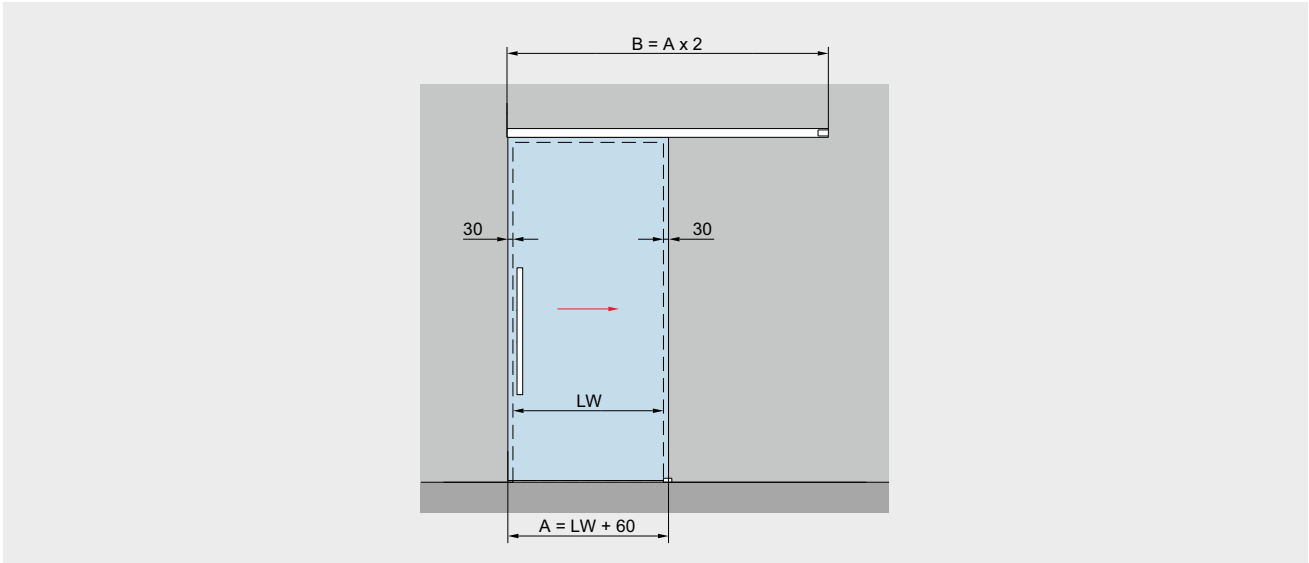
	Product description	Art. No.
	<p>MUTO Connecting profile for false ceilings, incl. accessory set for Comfort M, L and Premium XL,</p> <p>stock length 6,000 mm fixed length</p>	<p>36.821 36.820</p>
	<p>MUTO Premium XL 80/150 LSG-Set Accessory set for use with LSG for one pair of clamp carrier</p> <p>Consisting of: 2 Gaskets 4 injector screw</p> <p>Please order the LSG glue 07.631 separately</p>	<p>36.468</p>
	<p>Special adhesive for use with LSG The contents of the cartridge are sufficient for 10 clamp carriers (varies if the nozzle contents have dried out!) If necessary, order additional spare nozzles (art. no. 07630).</p>	<p>07.631</p>
	<p>Automix gun for LSG Use in combination with article 07.631</p>	<p>07.629</p>
	<p>Automix adapter for LSG Use in combination with article 07.631</p>	<p>07.628</p>
	<p>Spare nozzle for LSG Use in combination with article 07.631</p>	<p>07.630</p>

	Product description	Art. No.
	<p>MUTO Integrated locking device Battery for Comfort L, Premium XL, Premium Self-Closing and Premium Telescopic (not suitable as a security barrier)</p> <p>Consisting of: 1 receiver unit 1 mounting bracket for locking 1 locking device 1 stopper XL 4 batteries (Energizer L92 Ultimate Lithium: AAA1,5V) 1 battery carrier</p>	<p>36.859</p>
	<p>MUTO Integrated locking device Battery for Comfort L, Premium XL, Premium Self-Closing and Premium Telescopic (not suitable as a security barrier)</p> <p>Consisting of: 1 receiver unit 1 mounting bracket for locking 1 locking device 1 stopper XL</p> <p>Attention: Not suitable for Synchro version.</p>	<p>36.886</p> <p>38.885</p>
	<p>MUTO Radio remote control for Comfort L, Premium XL and Self-Closing,</p> <p>1 Radio remote control 1 Battery</p>	<p>36.848</p>
	<p>MUTO Wall switch with radio remote control for Comfort L, Premium XL and Self-Closing,</p> <p>1 Wall switch 1 Battery</p>	<p>36.849</p>

	Product description	Art. No.
	<p>MUTO Accessory for locking unit for Comfort L, Premium XL and Self-Closing,</p> <p>1 cable set for an optional use of the status indicator integrated in the locking unit</p>	<p>36.855</p>
	<p>MUTO Locking device set for Comfort L and Premium XL</p> <p>Consisting of: 1 Sensor 1 Adapter for track reception 1 Cable</p>	<p>36.840</p>
	<p>Concealed transmitter BRC-T dormakaba bi-directional flush-mounted radio transmitter BRC-T, battery-operated, for installation in a switch with a deep flush-mounting box</p>	<p>29301003</p>

Vertical brush seals can be found on page 168

Type illustrations wall installation



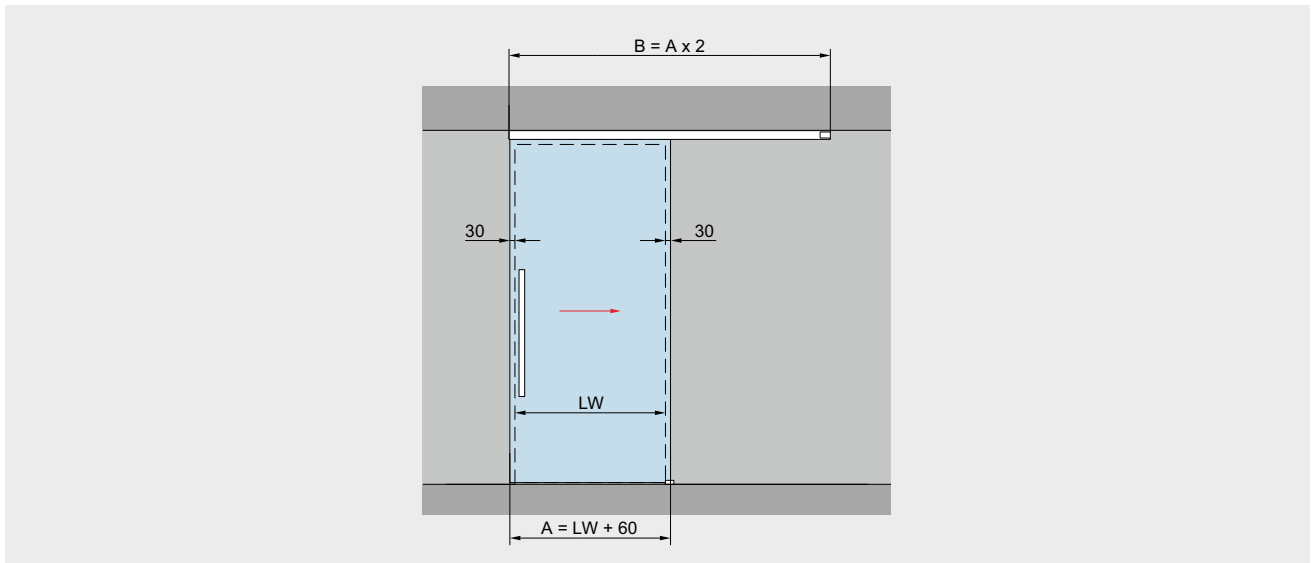
Opening to right side, closing to left side (DIN left)

Fixed at wall	Product description	Glass thickness
	<p>For installation with one door panel</p> <p>Max. weight of door panels 120 kg</p> <p>Calculation of glass height GH1 = LH + 22 + X mm max. 3,000 mm</p> <p>Calculation of glass width A = LW + 60 mm min. 850 mm (DORMOTION on one side) Max. travel 1,450 mm</p>	<p>8 – 13.5 mm</p>

Right: Opening to right side, closing to left side (DIN Left)
 Left: Opening to left side, closing to right side (DIN Right)

- A = Glass width
- B = Length of track
- GH1 = Glass height sliding door
- H = Total height
- LH = Clear opening height
- LW = Clear opening width
- t1 = Glass thickness sliding door
- Y = 100 mm – 20 mm – t
- X = Freely selectable protrusion (depending on structural conditions)

Type illustrations ceiling installation



Opening to right side, closing to left side (DIN left)

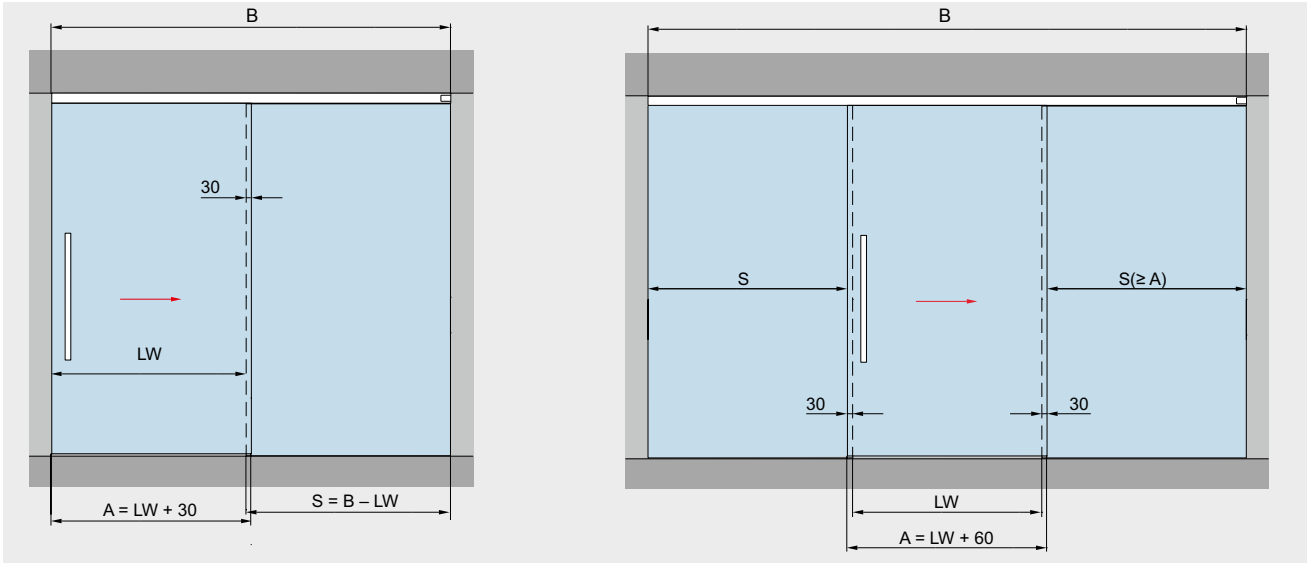
Fixed at ceiling	Product description	Glass thickness
	<p>For installation with one door panel</p> <p>Max. weight of door panels 120 kg</p> <p>Calculation of glass height GH1 = H - 47 mm max. 3,000 mm</p> <p>Calculation of glass width A = LW + 60 mm min. 850 mm (DORMOTION on one side) Max. travel 1,450 mm</p>	8 – 13.5 mm

Right: Opening to right side, Closing to left side (DIN Left)
Left: Opening to left side, Closing to right side (DIN Right)

A = Glass width
B = Length of track
GH1 = Glass height sliding door
H = Total height

LH = Clear opening height
LW = Clear opening width
t1 = Glass thickness sliding door
Y = 100 mm - 20 mm - t

Type illustrations with sidelight



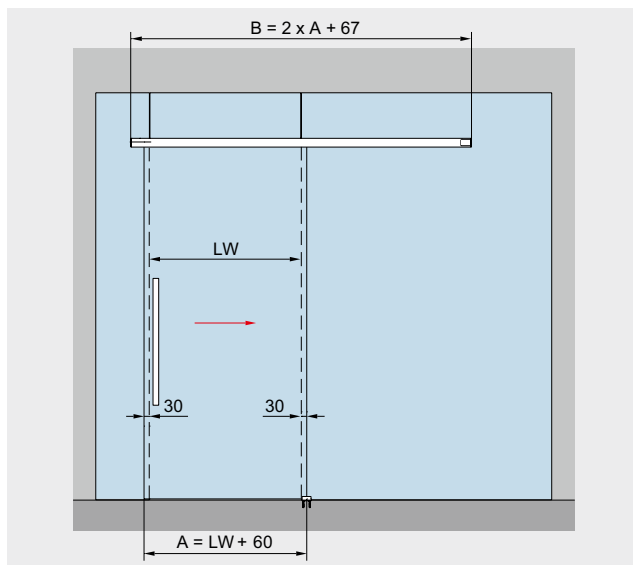
Opening to right side, closing to left side (DIN left)

Fixed at ceiling	Fixed at false ceiling	Product description	Glass thickness
		<p>For installation with one door panel</p> <p>Max. weight of door panels 120 kg</p> <p>Calculation of glass height for installation at ceiling GH1 = H - 47 mm GH2 = LH + 7 mm max. 3,000 mm</p> <p>Calculation of glass height for installation at false ceiling GH1 = LH + 21 mm GH2 = LH + 7 mm max. 3,000 mm</p> <p>Calculation of glass width A = LW + 30 mm min. 850 mm (DORMOTION on one side) Max. travel 1,450 mm</p>	8 – 13.5 mm

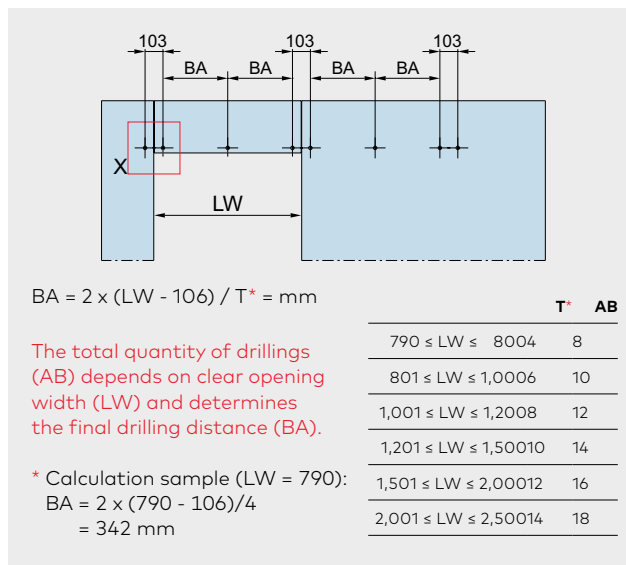
Right: Opening to right side, closing to left side (DIN Left)
 Left: Opening to left side, closing to right side (DIN Right)

- A = Glass width
- B = Length of track
- GH1 = Glass height sliding door
- GH2 = Glass height sidelight
- H = Total height
- LH = Clear opening height
- LW = Clear opening width
- S = Glass width sidelight
- t1 = Glass thickness sliding door
- t2 = Glass thickness sidelight
- Y = 100 mm - 20 mm - t1

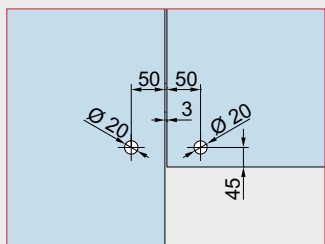
Type illustrations glass installation



Opening to right side, closing to left side (DIN left)



Glass preparation



Detail X

Product description

For installation with one door panel

Max. weight of door panels
120 kg

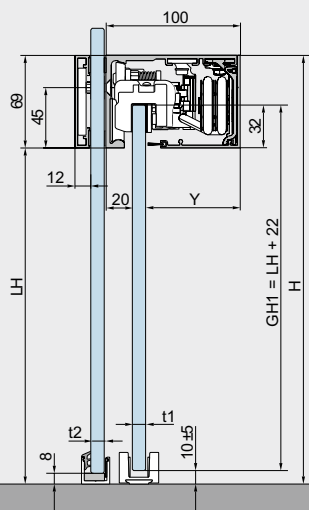
Calculation of glass height
 $GH = LH + 22 \text{ mm}$, max. 3,000 mm

Calculation of glass width
 $A = LW + 60 \text{ mm}$, min. 850 mm (DORMOTION on one side)
 Max. travel 1,450 mm

Glass thickness

8 – 13.5 mm

Fixed at glass



Product description

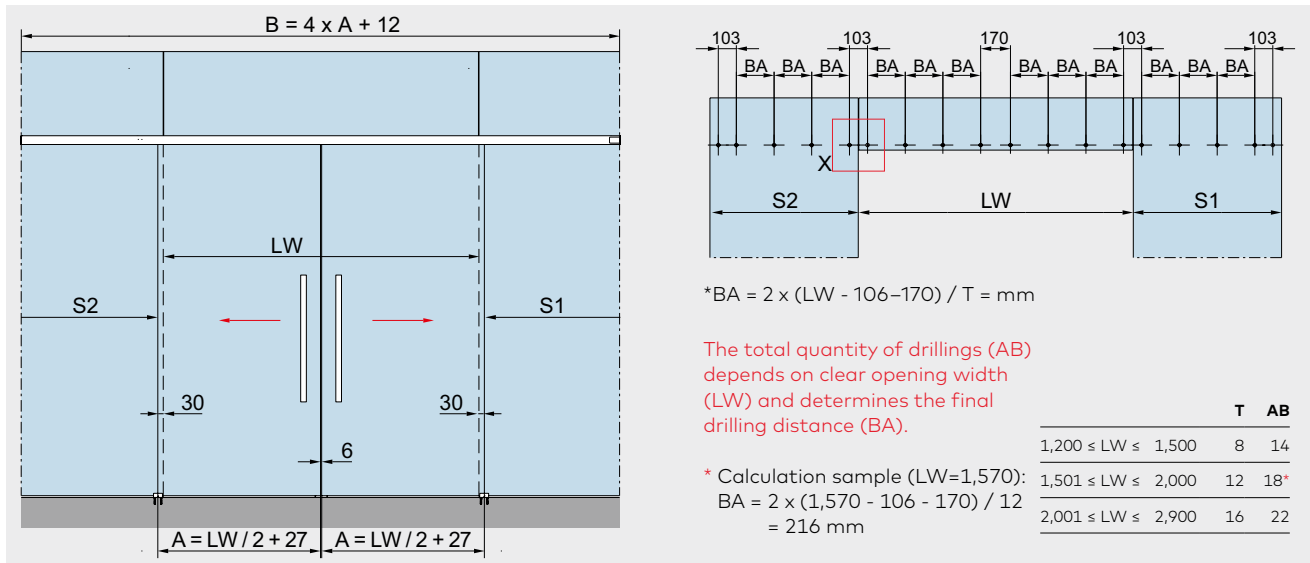
To ensure a correct and aligned mounting of the track rail, a fully supporting fixed panel must be installed.

MUTO Premium

min. glass width	850 mm
min. clear opening width	790 mm
Max. travel	1,450 mm
max. clear opening width	2,886 mm

- A = Glass width
- AB = Quantity of drillings
- B = Length of track
- BA = Drilling distance
- H = Total height
- LH = Clear opening height
- LW = Clear opening width
- GH1 = Glass height sliding door
- T = Quantity of drillings distance signed with BA
- t1 = Glass thickness sliding door (8 – 13.5 mm)
- t2 = Glass thickness fixed panel (10 – 19 mm)
- Y = 100 mm – 20 mm – t1

Type illustrations with two door panels fixed at glass



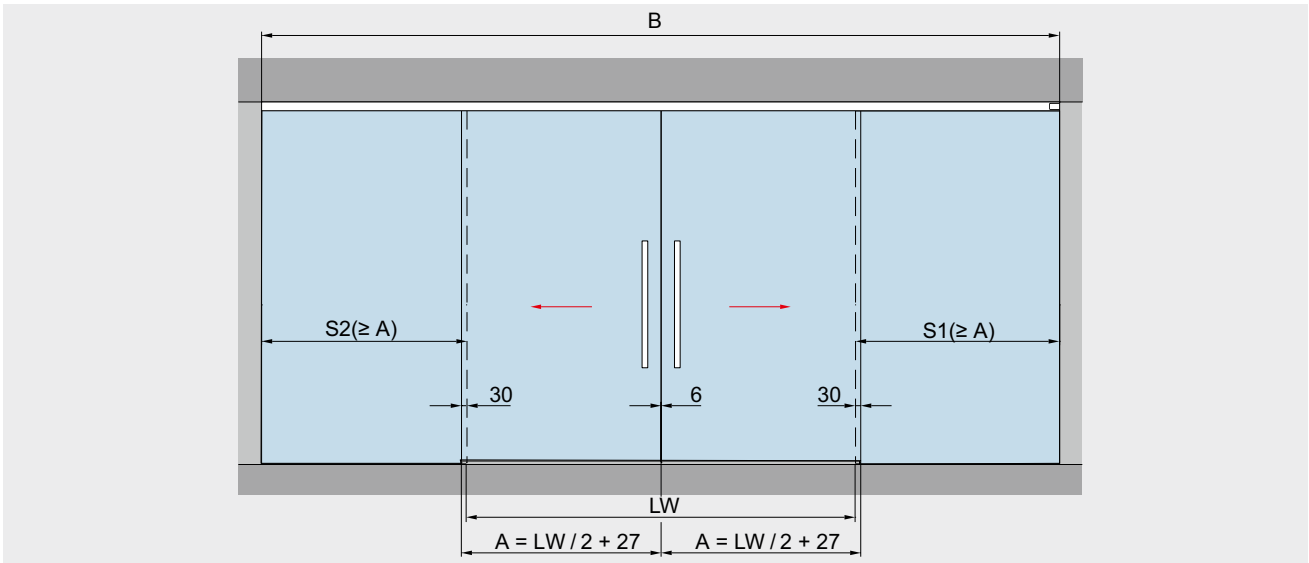
You will find a calculation tool for the glass preparation of the fixed parts MUTO on glass under the following link <https://glas-innovationen.com/glass-innovations/muto>

Glass preparation	Product description	Glass thickness
<p>Detail X</p>	For installation with two door panels Max. weight of door panels 120 kg Calculation of glass height $GH = LH + 22 \text{ mm}$, max. 3,000 mm Calculation of glass width $A = LW / 2 + 27 \text{ mm}$ min. 850 mm max. $2 \times 1,470 \text{ mm}$	8 – 13.5 mm

Fixed at glass	Merkmale und Daten	Self-Closing 120
	To ensure a correct and aligned mounting of the track rail, a fully supporting fixed panel must be installed.	
	min. glass width without DORMOTION	-
	min. clear opening width without DORMOTION	-
	min. door width	850 mm
	min. clear opening width	1,646 mm
	max. door width	1,470 mm
	max. clear opening width	2,886 mm

- A = Glass width
- AB = Quantity of drillings
- B = Length of track
- BA = Drilling distance
- H = Total height
- LH = Clear opening height
- LW = Clear opening width
- GH1 = Glass height sliding door
- T = Quantity of drilling distance signed with BA
- t1 = Glass thickness sliding door
- t2 = Glass thickness fixed panel (10 – 19 mm)
- Y = 100 mm – 20 mm – t1

Type illustrations with two door panels with sidelight

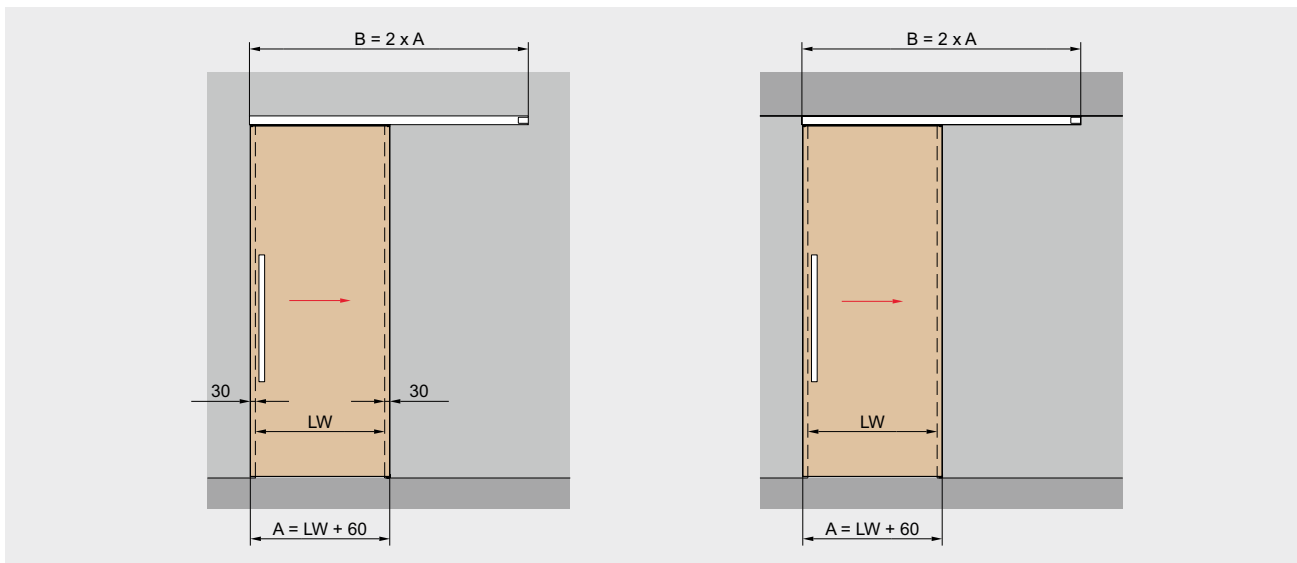


Fixed at ceiling	Fixed at false ceiling	Product description	Glass thickness
		<p>For installation with two door panels with sidelights</p> <p>Max. weight of door panels 120 kg</p> <p>Calculation of glass height for installation at ceiling GH1 = H - 47 mm GH2 = LH + 7 mm max. 3,000 mm</p> <p>Calculation of glass height for installation at false ceiling GH1 = LH + 21 mm GH2 = LH + 7 mm max. 3,000 mm</p> <p>Calculation of glass width A = LW / 2 + 27 mm min. 2 x 850 mm max. 2 x 1,470 mm</p>	8 – 13.5 mm

Right: Opening to right side, closing to left side (DIN Left)
 Left: Opening to left side, closing to right side (DIN Right)

- A = Glass width
- B = Length of track
- GH1 = Glass height sliding door
- GH2 = Glass height sidelight
- H = Total height
- LH = Clear opening height
- LW = Clear opening width
- S = Glass width sidelight
- t1 = Glass thickness sliding door
- t2 = Glass thickness sidelight
- Y = 100 mm - 20 mm - t1

Type illustrations for timber door applications



Opening to right side, closing to left side (DIN left)

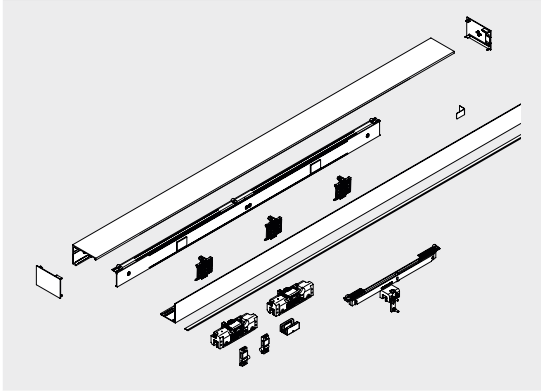
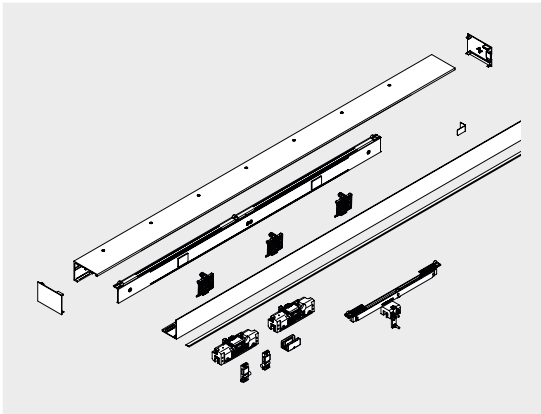
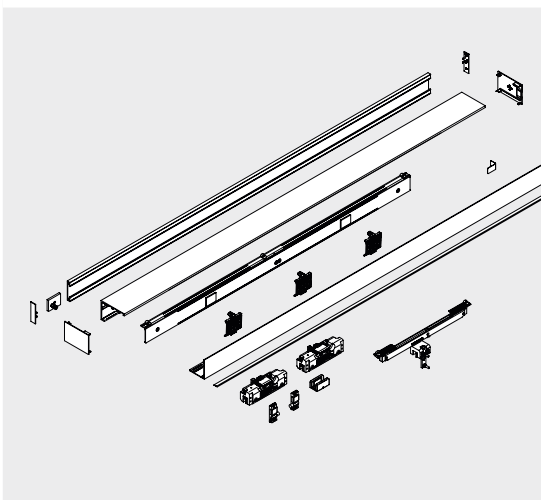
Fixed at wall	Fixed at ceiling	Product description	Wood thickness
		<p>For installation with one door panel</p> <p>Max. weight of door panels 120 kg</p> <p>Calculation of door height fixed at wall TH = LH - 18 + X mm max. 3,000 mm</p> <p>Calculation of door height fixed at ceiling TH = H - 87 mm max. 3,000 mm</p> <p>Calculation of door width A = LW + 60 mm min. 850 mm (DORMOTION on one side) Max. travel 1,450 mm</p>	28 – 50 mm
<p>* Timber door 100 mm, solid wood, for attachment to timber adapter.</p>			

- A = Glass width
- B = Length of track
- H = Total height
- LH = Clear opening height
- LW = Clear opening width

- TH = Door height
- u = Wood thickness
- X = Freely selectable protrusion (depending on structural conditions)
- Y = 100 mm - 20 mm - t1

Space for your notes

Complete sets - defined panel width

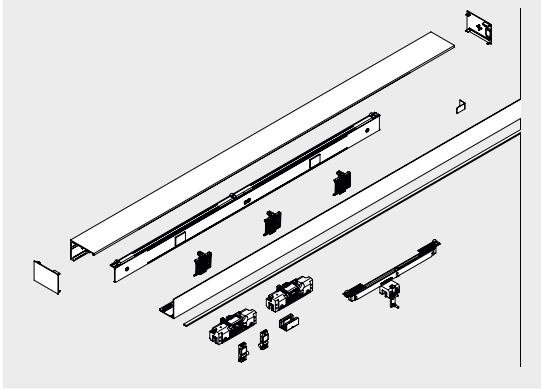
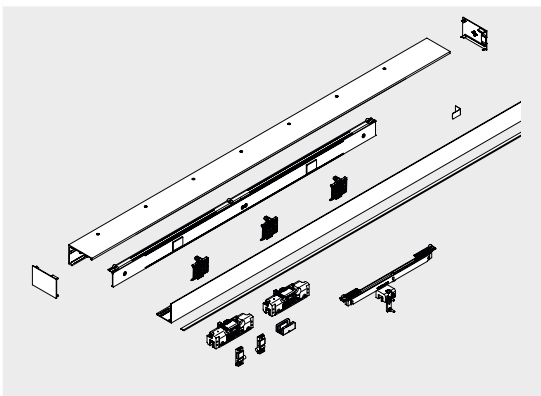
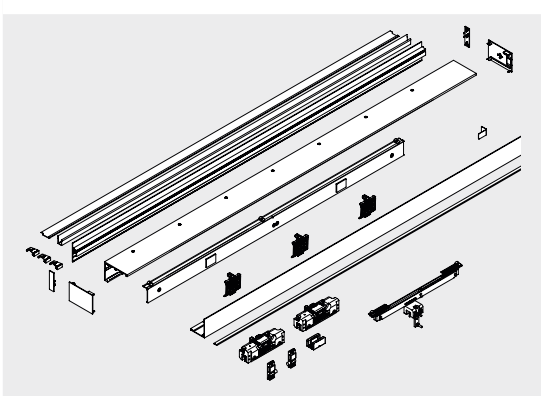
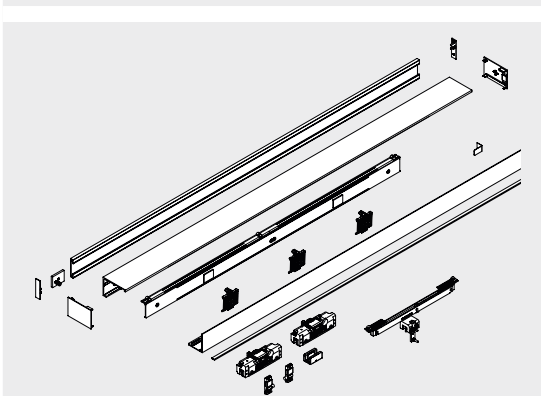
	Product description	Clear opening width	Panel width	Profile length	Art. No.	
	MUTO Premium Self-Closing 120 Fixed at wall incl. track profile, cover profile and brushes, elastic cable, DORMOTION unit (on one side)*, accessory set, end caps for 8 – 13.5 mm glass thickness, max. 120 kg	Right	950	1,880	36.600	
		Left	950	1,880	36.601	
		Right	1,250	2,480	36.610	
		Left	1,250	2,480	36.611	
		Right	1,450	2,880	36.602	
		Left	1,450	2,880	36.603	
	MUTO Premium Self-Closing 120 Fixed at ceiling incl. track profile, cover profile and brushes, elastic cable, DORMOTION unit (on one side)*, accessory set, end caps for 8 – 13.5 mm glass thickness, max. 120 kg	Right	950	1,880	36.604	
		Left	950	1,880	36.605	
		Right	1,250	2,480	36.612	
		Left	1,250	2,480	36.613	
		Right	1,450	2,880	36.606	
		Left	1,450	2,880	36.607	
	MUTO Premium Self-Closing 120 Fixed at glass incl. track profile, cover profile and brushes, elastic cable, DORMOTION unit (on one side)*, accessory set, end caps for 8 – 13.5 mm glass thickness, max. 120 kg Note: Please take note of glass preparation on page 73	Right	850	910	1,887	36.614
		Left	850	910	1,887	36.615
		Right	1,050	1,110	2,287	36.161
		Left	1,050	1,110	2,287	36.617
		Right	1,250	1,310	2,687	36.608
		Left	1,250	1,310	2,687	36.609

Right: Opening to right side, Closing to left side (DIN Left)

Left: Opening to left side, Closing to right side (DIN Right)

*When using a DORMOTION damping unit, we recommend installation of a pull handle.

Complete sets - defined lengths

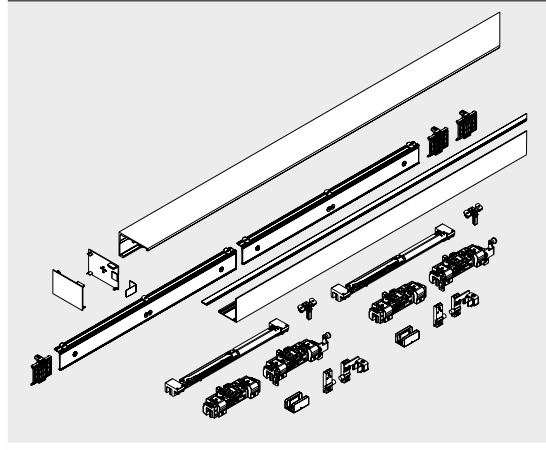
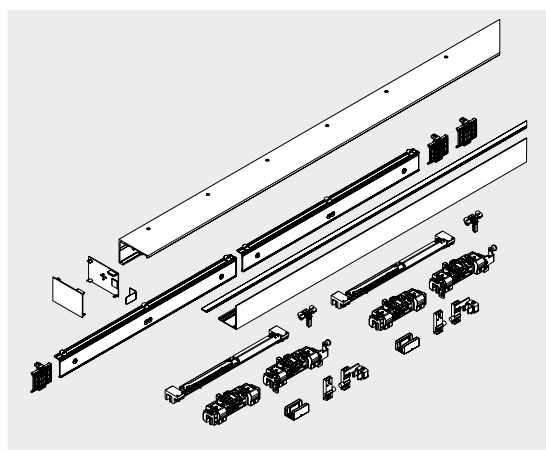
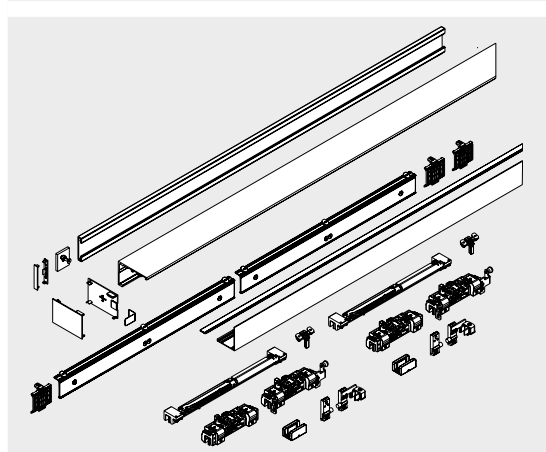
	Product description	Glass thickness	Art. No.
	<p>MUTO Premium Self-Closing 120 Fixed at wall Individual profile length up to max. 5,940 mm min. glass width 850 mm, max. 1,500 mm incl. track profile, cover profile and brushes, elastic cable, DORMOTION unit (on one side)*, accessory set, end caps max. 120 kg Please indicate clear opening width or track length with order!</p>	Right 8–13.5 mm Left	36.620 36.621
	<p>MUTO Premium Self-Closing 120 Fixed at ceiling Individual profile length up to max. 5,940 mm min. glass width 850 mm, max. 1,500 mm incl. track profile, cover profile and brushes, elastic cable, DORMOTION unit (on one side)*, accessory set, end caps max. 120 kg Please indicate clear opening width or track length with order!</p>	Right 8–13.5 mm Left	36.622 36.623
	<p>MUTO Premium Self-Closing 120 Fixed at ceiling + side light Individual profile length up to max. 5,940 mm min. glass width 850 mm, max. 1,500 mm incl. track profile, cover profile, side light sight protection and filler profile, brushes, elastic cable, DORMOTION unit (on one side)*, accessory set, end caps max. 120 kg Please indicate track length with order!</p>	Right 8–13.5 mm Left	36.629 36.630
	<p>MUTO Premium Self-Closing 120 Fixed at glass Individual profile length up to max. 3,067 mm min. glass width 850 mm, max. 1,500 mm incl. track profile, cover profile and brushes, elastic cable, DORMOTION unit (on one side)*, accessory set, end caps max. 120 kg Please indicate clear opening width with order!</p>	Right 8–13.5 mm Left	36.624 36.625

Right: Opening to right side, Closing to left side (DIN Left)

Left: Opening to left side, Closing to right side (DIN Right)

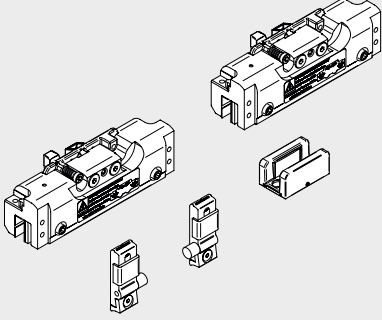
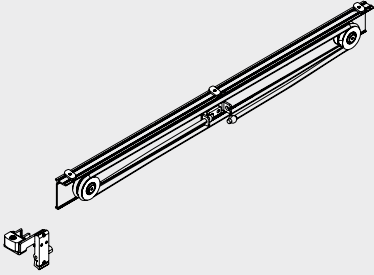
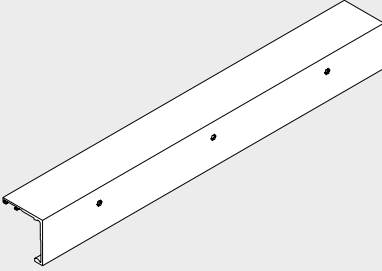
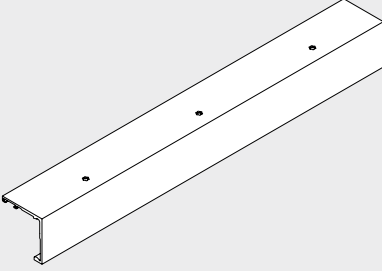
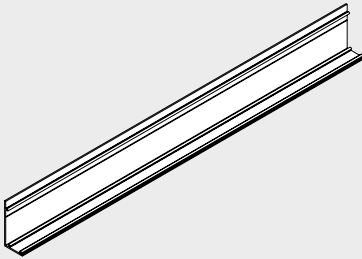
*When using a DORMOTION damping unit, we recommend installation of a pull handle.

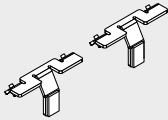
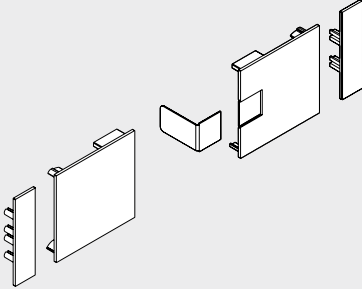
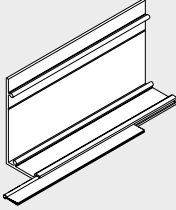
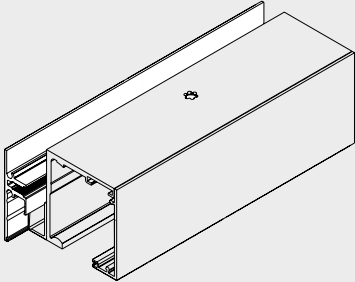
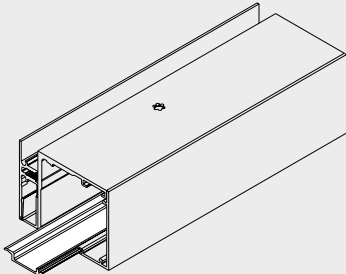
Note: Please take note of glass preparation on page 74

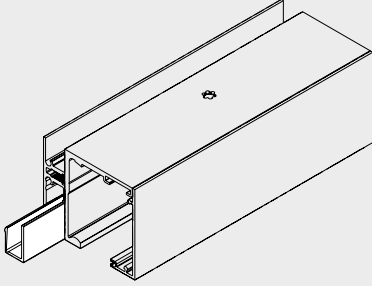
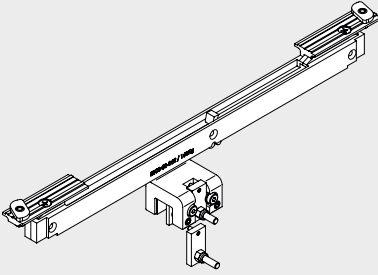
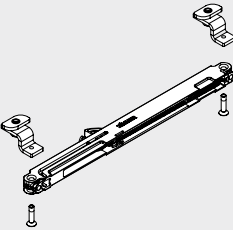
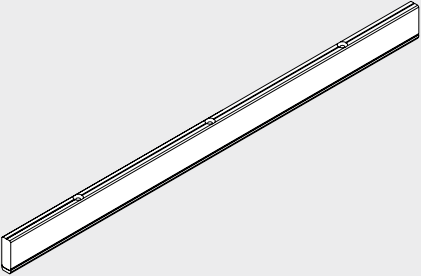
	Product description	Art. No.
	<p>MUTO Premium Self-Closing 120 Set for doors with two panels <i>fixed at wall,</i> fixed length, incl. DORMOTION, max. 120 kg. min. panel width 850 mm profile length xxxx mm* (max. 5,940 mm) max. panel width 1,470 mm, incl. track profile, cover profile and brushes complete accessory for 8 - 13.5 mm glass thickness <i>Please indicate clear opening width or track length with order!</i></p>	<p>36.626</p>
	<p>MUTO Premium Self-Closing 120 Set for doors with two panels <i>fixed at ceiling,</i> fixed length, incl. DORMOTION, max. 120 kg. min. panel width 850 mm profile length xxxx mm* (max. 5,940 mm) max. panel width 1,470 mm, incl. track profile, cover profile and brushes complete accessory for 8 - 13.5 mm glass thickness <i>Please indicate clear opening width or track length with order!</i></p>	<p>36.627</p>
	<p>MUTO Premium Self-Closing 120 Set for doors with two panels <i>fixed at glass,</i> fixed length, incl. DORMOTION, max. 120 kg. min. panel width 850 mm (min. LW 1,646 mm) cler opening width xxxx mm* (max. 5,880 mm) max. panel width 1,470 mm (max. LW 2,886 mm), incl. track profile, cover profile, counter profile and brushes complete accessory for 8 - 13.5 mm glass thickness <i>Please indicate clear opening width with order and take note of glass preparation on page 74</i></p>	<p>36.628</p>

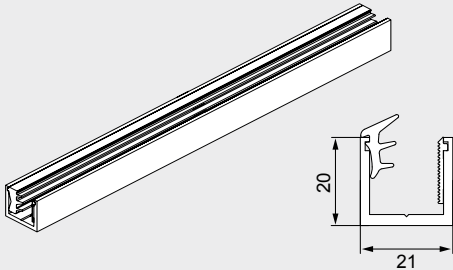
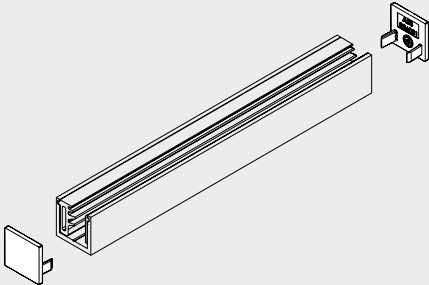
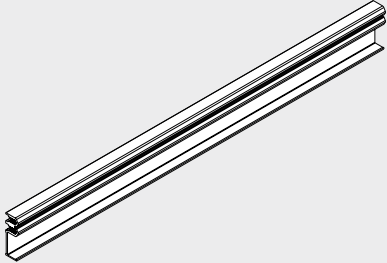
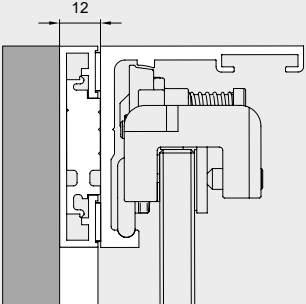
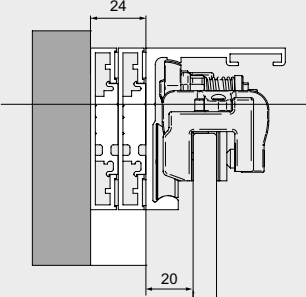
* to be defined by customer

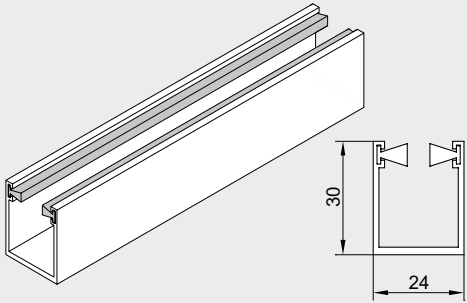
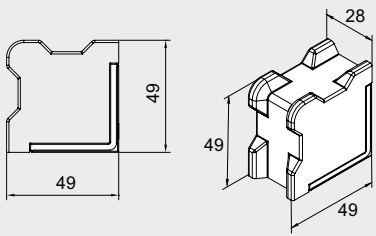
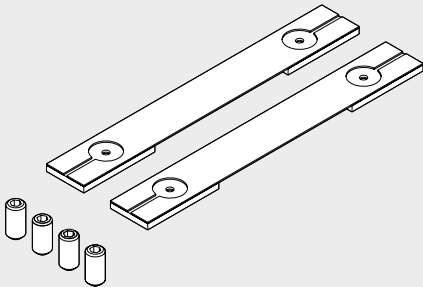
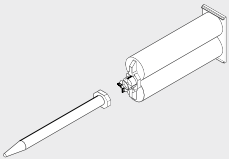
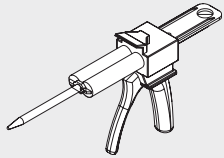
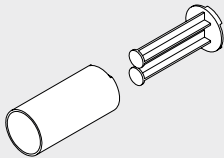
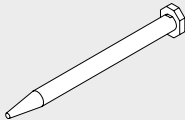
Component parts

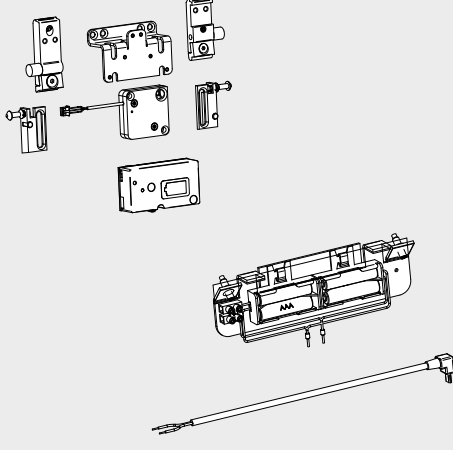
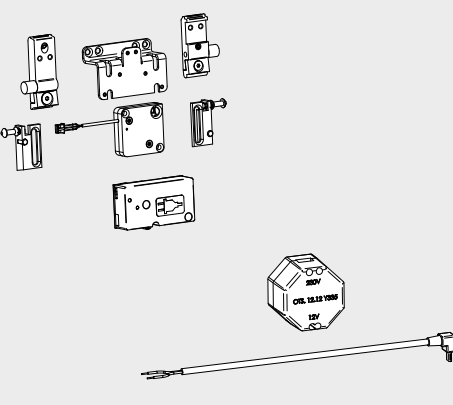
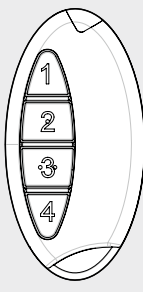
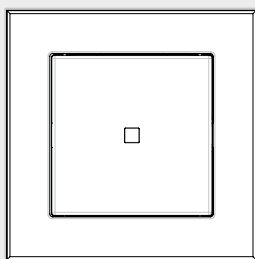
	Product description	Glass thickness	Art. No.
	MUTO Premium XL 80/150 Accessory set Consisting of: 2 Clamp carriers 2 Endstops 1 Floor guide		36.550
	MUTO Premium Self-Closing 120 Elastic cable with accessories Opening to right side, closing to left side (DIN Left) Opening to left side, closing to right side (DIN Right)		36.657 36.658 not illustr.
	MUTO Premium Self-Closing 120 Track rail for wall installation stock length 6,000 mm fixed length		36.850 36.651
	MUTO Premium Self-Closing 120 Track rail for ceiling installation stock length 6,000 mm fixed length		36.852 36.653
	MUTO Premium Self-Closing 120 Cover profile stock length 6,000 mm fixed length		36.854 36.655

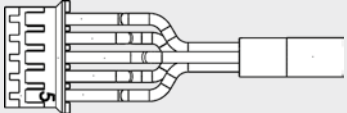
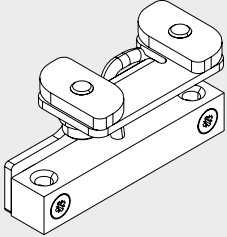
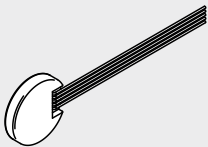
	Product description	Glass thickness	Art. No.
	<p>MUTO spacer (2 pieces) for installation between two walls</p>		36.890
	<p>MUTO Premium Self-Closing 120 End caps for wall and ceiling installation</p>		36.656
	<p>MUTO Brush profile set for Comfort L and Premium XL Consisting of: 1 Brush profile 8 – 10 mm glass 1 Brush profile 12 – 13.5 mm glass</p>		36.265
	<p>MUTO Premium XL 80/150 Side light profile 69 mm high, with gaskets</p>	8 – 13.5 mm	36.469
	<p>MUTO Filling profile for Comfort L, Premium XL and Self-Closing, for side light profile</p>	8 – 13.5 mm	36.474
	<p>stock length 6,000 mm fixed length</p>	<p>When installing between two walls, please give particular attention to the width of the end covers (each 2 mm).</p>	<p>36.800 36.801</p>

	Product description	Glass thickness	Art. No.
	<p>MUTO Filling profile for Comfort L, Premium XL and Self-Closing,</p> <p>stock length 6,000 mm fixed length</p>		<p>36.802 36.803</p>
	<p>MUTO Premium Self-Closing 120 End caps for side light profile, each 2 mm width (When installing between two walls, please give particular attention to it.)</p>		36.471
	<p>MUTO Premium Self-Closing 120 DORMOTION-Set – for dampening the door at the open side for max. 120 kg, with Accessories</p>		<p>36.648 36.649 not illustr.</p>
	<p>MUTO Premium Self-Closing 120 optional opening damping set (maximum 120 kg) to use left or right – for dampening the door at the open side</p>		36.666
	<p>MUTO Premium XL 80/150 Timber adapter set Profile 12.5 x 36 mm + 12.5 x 4 mm, incl. accessories (with timber floor guide)</p>		<p>1,460 mm fixed length max. 2,500 mm 36.461 36.464</p>
	<p>Please indicate the wooden door leaf width when ordering!</p>		

	Product description	Glass thickness	Art. No.
	<p>MUTO Floor profile for Comfort L and Premium XL, for fixing side light, with gaskets, incl. end caps</p>	<p>8 – 13.5 mm 8 – 13.5 mm</p>	<p>36.810 36.811</p>
	<p>MUTO End caps (2 pieces) for Comfort L and Premium XL, for Floor profile, for fixing side light</p>		<p>36.812</p>
	<p>MUTO Comfort connection profile for false ceilings incl. accessory set for Comfort M, L and Premium XL,</p>	<p>stock length 6,000 mm fixed length</p>	<p>36.821 36.820</p>
	<p>MUTO Premium - balance profile set 12 mm, for installation over an existing door frame; compensates for the frame thickness; fixed length</p>	<p>36.870</p>	
	<p>MUTO Premium - balance profile set 24 mm, for installation over an existing door frame; compensates for the frame thickness; fixed length</p>	<p>36.871</p>	

	Product description	Glass thickness	Art. No.
	<p>MUTO Premium XL 80/150 Subsurface floor guide track rail with brushes</p> <p>stock length 6,000 mm fixed length</p>		<p>36.561 36.562</p>
	<p>MUTO Comfort Floorstop for Comfort L and Premium XL, for glass- oder timber side light</p>		<p>36.851</p>
	<p>MUTO Premium XL 80/150 LSG-Set Accessory set for use with LSG for one pair of clamp carrier</p> <p>Consisting of: 2 Gaskets 4 Injector screw</p> <p>Please order the LSG glue 07.631 separately</p>		<p>36.468</p>
	<p>Special adhesive for use with LSG The contents of the cartridge are sufficient for 10 clamp carriers (varies if the nozzle contents have dried out!) If necessary, order additional spare nozzles (art. no. 07630).</p>		<p>07.631</p>
	<p>Automix gun for LSG Use in combination with article 07.631</p>		<p>07.629</p>
	<p>Automix adapter for LSG Use in combination with article 07.631</p>		<p>07.628</p>
	<p>Spare nozzle for LSG Use in combination with article 07.631</p>		<p>07.630</p>

	Product description	Glass thickness	Art. No.
	<p>MUTO Integrated locking device Battery for Comfort L, Premium XL, Premium Self-Closing and Premium Telescopic (not suitable as a security barrier)</p> <p>Consisting of: 1 receiver unit 1 mounting bracket for locking 1 locking device 1 stopper XL 4 batteries (Energizer L92 Ultimate Lithium: AAA1,5V) 1 battery carrier</p> <p>Battery for re-ordering</p>		<p>36.859</p> <p>36.886</p>
	<p>MUTO Integrated locking device Battery for Comfort L, Premium XL, Premium Self-Closing and Premium Telescopic (not suitable as a security barrier)</p> <p>Consisting of: 1 receiver unit 1 mounting bracket for locking 1 locking device 1 stopper XL</p> <p>Attention: Not suitable for Synchro version.</p>		<p>38.885</p>
	<p>MUTO Radio remote control for Comfort L, Premium XL and Self-Closing,</p> <p>1 Radio remote control 1 Battery</p>		<p>36.848</p>
	<p>MUTO Wall switch with radio remote control for Comfort L, Premium XL and Self-Closing,</p> <p>1 Wall switch 1 Battery</p>		<p>36.849</p>

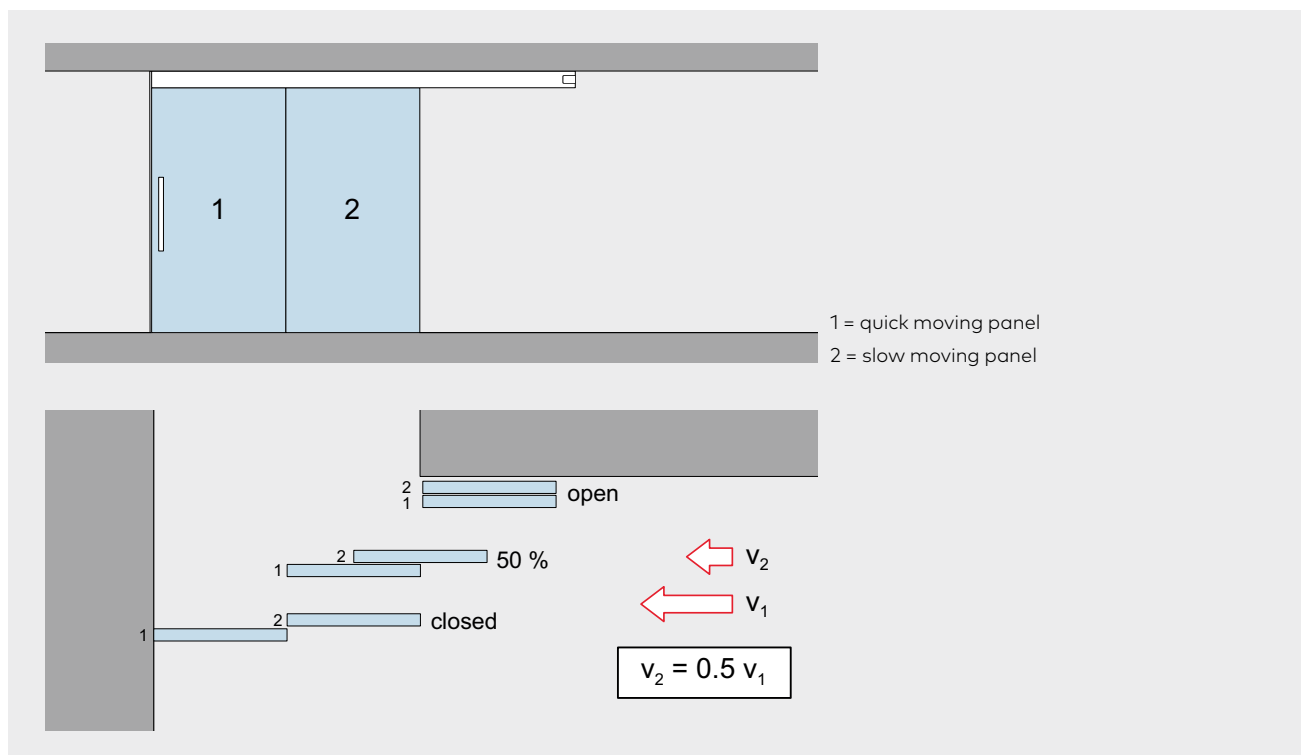
	Product description	Glass thickness	Art. No.
	<p>MUTO Accessory for locking unit for Comfort L, Premium XL and Self-Closing,</p> <p>1 cable set for an optional use of the status indicator integrated in the locking unit</p>		36.855
	<p>MUTO Locking device set for Comfort L and Premium XL</p> <p>Consisting of: 1 Sensor 1 Adapter for track reception 1 Cable</p>		36.840
	<p>Concealed transmitter BRC-T dormakaba bi-directional flush-mounted radio transmitter BRC-T, battery-operated, for installation in a switch with a deep flush-mounting box</p>		29301003

Vertical brush seals can be found on page 168

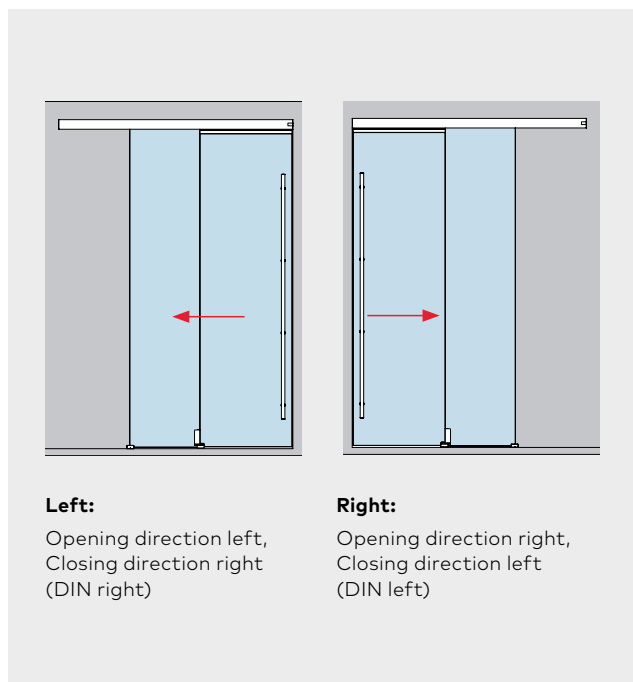
MUTO Premium Telescopic 80

Huge light openings, but small space requirement

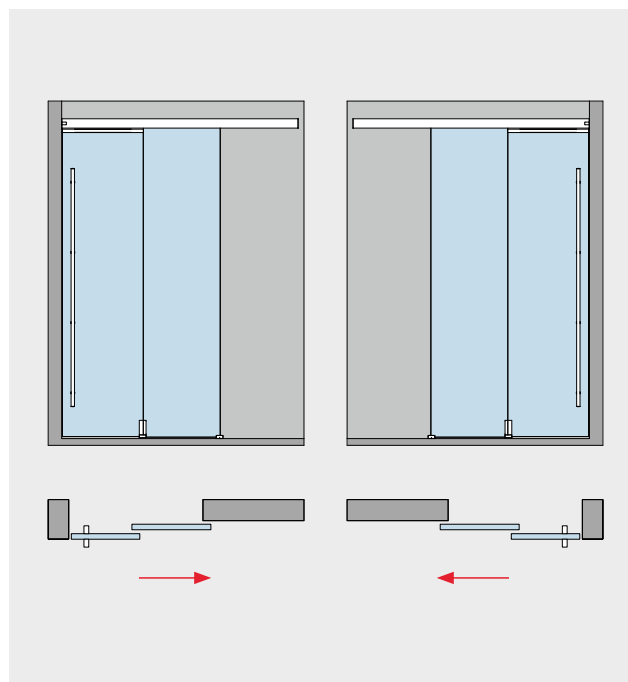
- Telescopic functionality.
- Synchronized panels, that means simultaneous movement of panel 1 (quick moving panel) and panel 2 (slow moving panel <= half speed of quick moving panel)
- DORMOTION functionality (optional)
- Integrated locking device (optional)
- Status indicator (optional)



Opening directions



Installation 90° stopped

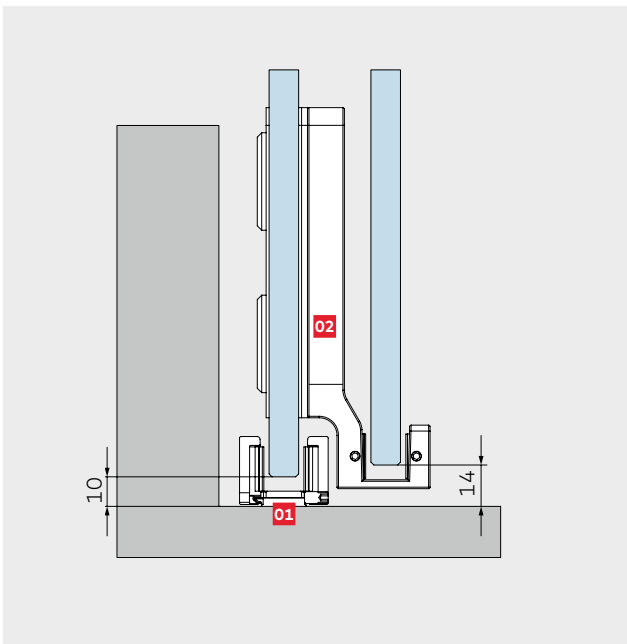


Floor guide variants

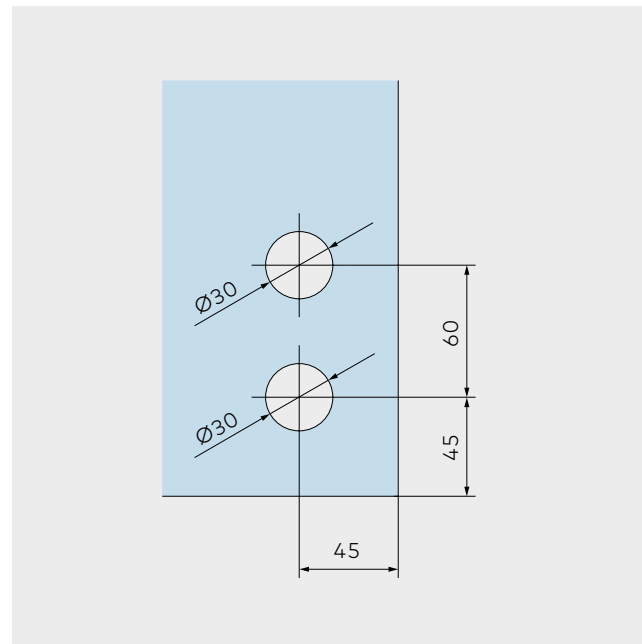
- Surface mounted variant glass door
- Recessed variant glass door
- Surface mounted variant timber door

01 Standard fixed floor guide for guiding the slow moving panel (slow moving panel)

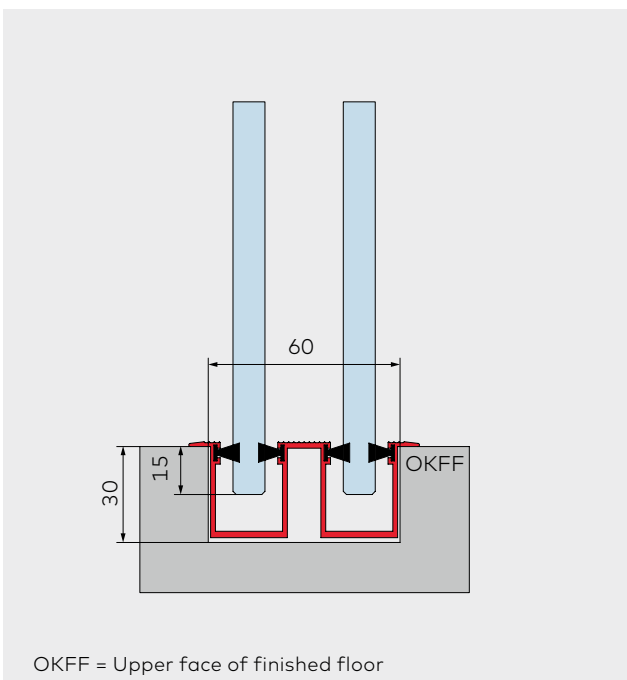
02 Moving floor guide for guiding the moving panel (quick moving panel)



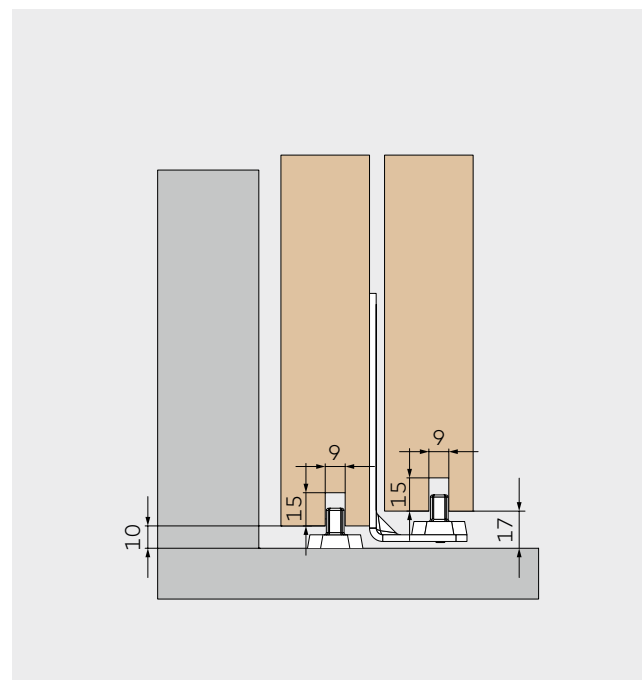
Glass preparation for moving floor guide



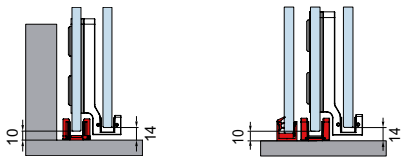
Recessed floor guide for guiding the slow and quick moving panels



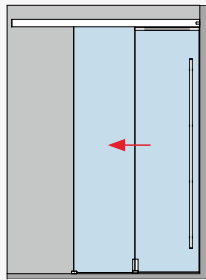
Floor guide situation with timber doors



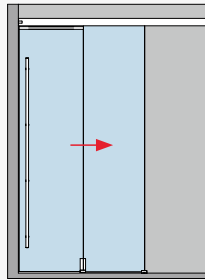
Glass panel with moving floor guide



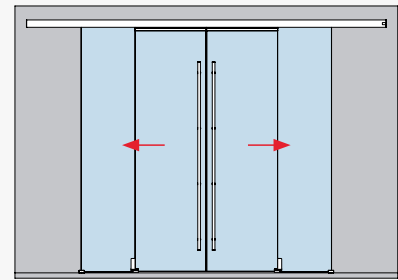
Glass door (8 - 13.5 mm) for the installation at wall - 2 and 4 panels



Set 1

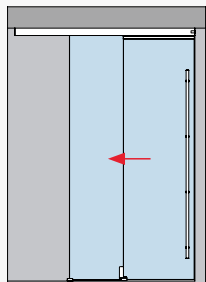


Set 2

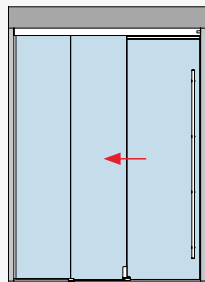


Set 3

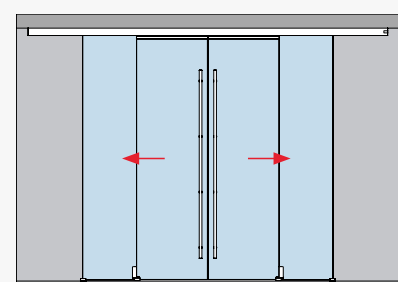
Glass door (8 - 13.5 mm) for the installation at ceiling / with side light (10 - 19 mm) - 2 and 4 panels



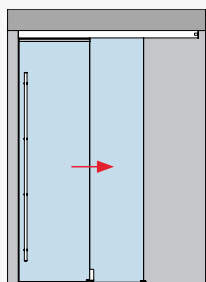
Set 4



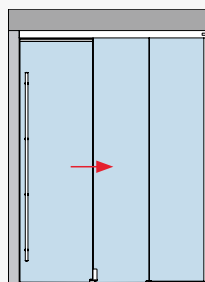
Set 5



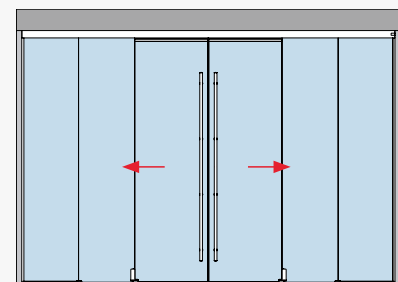
Set 6



Set 7

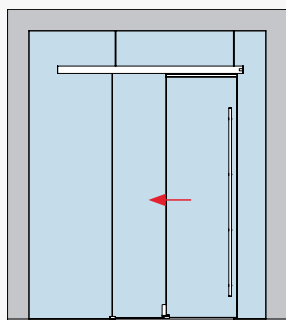


Set 8

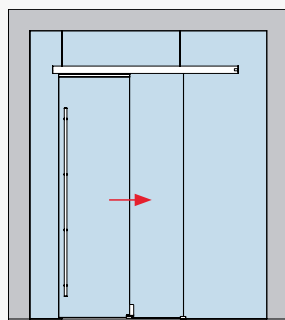


Set 9

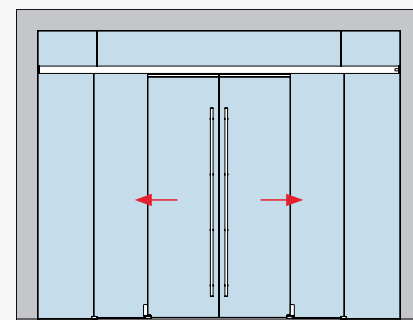
Glass door (8 - 13.5 mm) with glass overpanel and glass side lights (10 - 19 mm) - 2 and 4 panels



Set 10

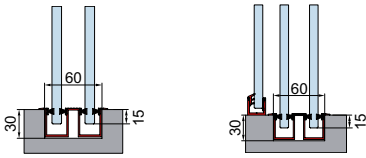


Set 11

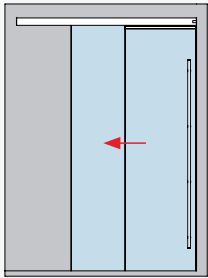


Set 12

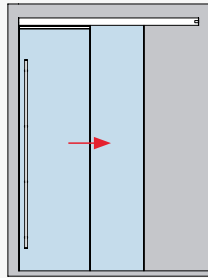
Glass panel with recessed floor guide profile



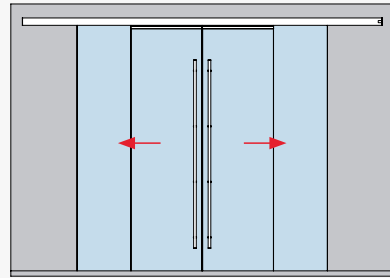
Glass door (8 - 13.5 mm) for the installation at wall - 2 and 4 panels



Set 13

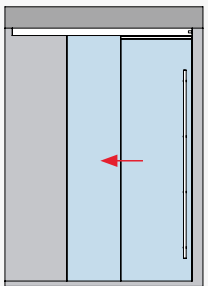


Set 14

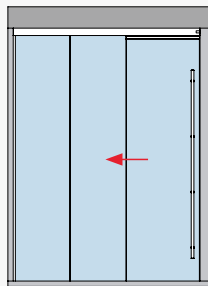


Set 15

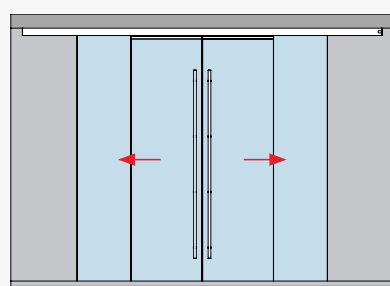
Glass door (8 - 13.5 mm) for the installation at ceiling / with side light (10 - 19 mm) - 2 and 4 panels



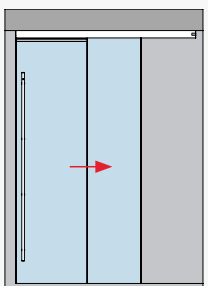
Set 16



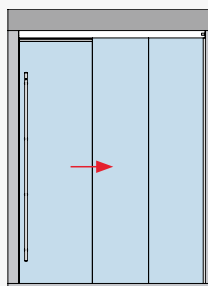
Set 17



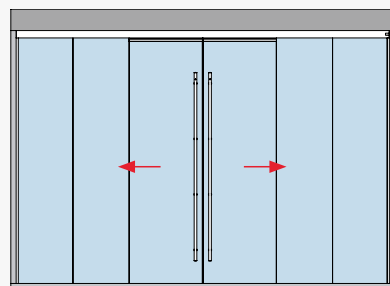
Set 18



Set 19

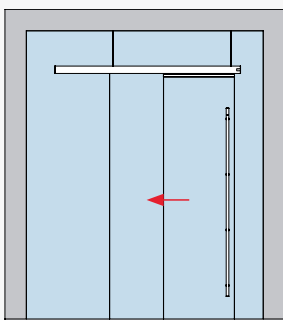


Set 20

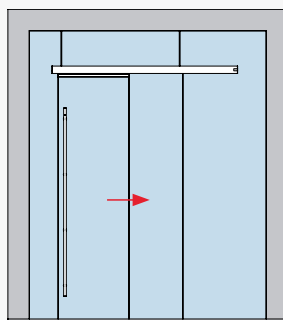


Set 21

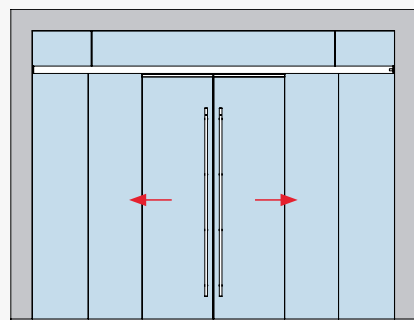
Glass door (8 - 13.5 mm) with glass overpanel and glass side lights (10 - 19 mm) - 2 and 4 panels



Set 22



Set 23



Set 24

Wide openings with small panels

Unless indicated otherwise all measurements are shown in mm.

Panel width min.* – 600 mm
 Panel width max.* – 1,287 mm

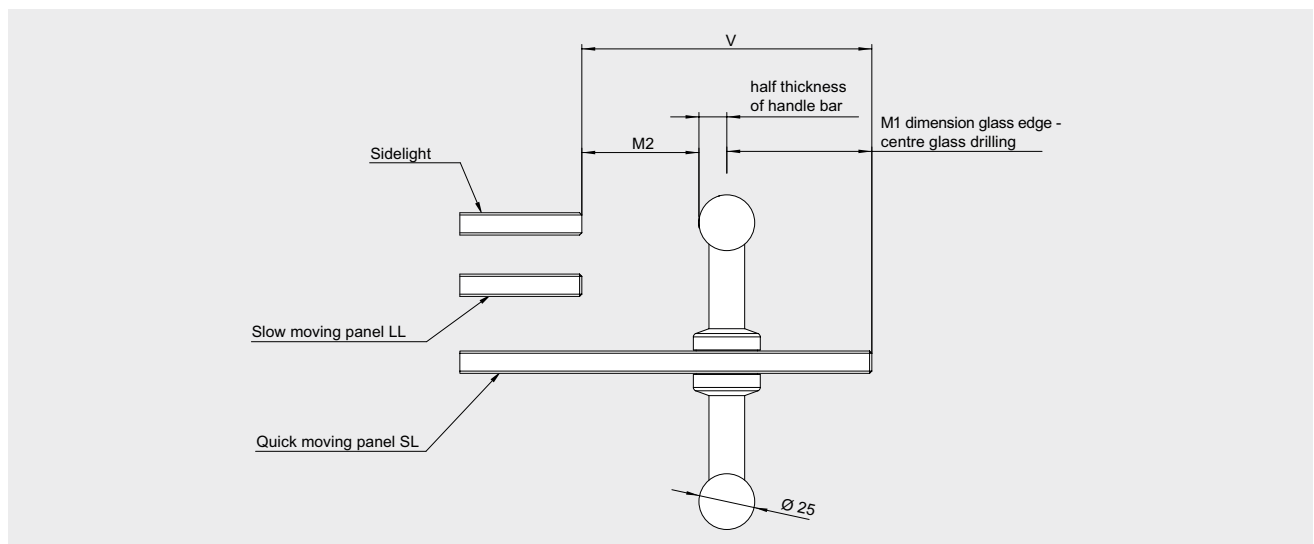
In a two-panel system, the sum of both panel widths must not exceed 2,400 mm.

without DORMOTION										
	without handle bar	with handle bar	without handle bar	with handle bar	without handle bar	with handle bar	without handle bar	with handle bar	without handle bar	with handle bar
Min. panel width =	600	665	600	665	600	687	600	687	600	665
Light opening width	1,110	1,110	2,286	2,286	1,750	1,750	3,496	3,496	1,145	1,145
Max. panel width =	1,200	1,265	1,000	1,065	1,200	1,287	1,000	1,087	1,200	1,265
Light opening width	2,310	2,310	3,886	3,886	3,550	3,550	5,896	5,896	2,345	2,345

with DORMOTION										
	without handle bar	with handle bar	without handle bar	with handle bar	without handle bar	with handle bar	without handle bar	with handle bar	without handle bar	with handle bar
Min. panel width =	790	855	790	855	790	877	790	877	790	855
Light opening width	1,490	1,490	3,046	3,046	2,320	2,320	4,636	4,636	1,525	1,525
Max. panel width =	1,200	1,265	1,000	1,065	1,200	1,287	1,000	1,087	1,200	1,265
Light opening width	2,310	2,310	3,886	3,886	3,550	3,550	5,896	5,896	2,345	2,345

* Depending on installation (see detailed overview) related to quick moving panel.

** Glass sidelight



V = Protrusion of the quick-moving panel (SL) when fitted with a pull handle
 (see Data Sheet 36-747)

Hassle-free and competitive glass ordering

- Quick moving panel and slow moving panel are clamped – no additional glass preparation required
- Easy glass preparation for fixing the moving floor guide

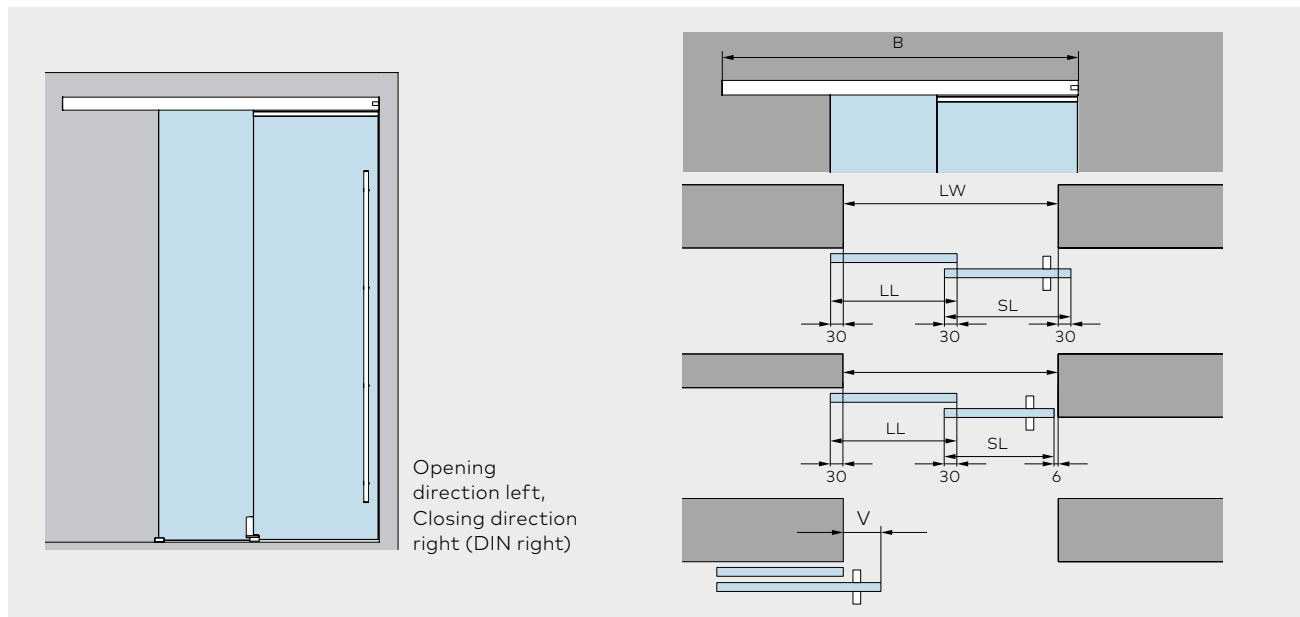
Manifold varieties

Universal usability for different panel base material

- Wall installation
- Ceiling installation
- Ceiling installation with side panels (also for lintel situations)
- Installation to glass overpanel
- LSG-usability due to "Clamp&Glue" Technology
- Applicable for glass panels and timber panels (timber panels require adapter profile)
- Max. 2 x 80 kg resp. 4 x 80 kg
- Possible glass thicknesses: 8 – 13.5 mm (continuous)

Note: The panel widths are always dependent on several factors. Before ordering the glass, it is advisable to have the panel widths checked in our company. The MUTO Premium Teleskopik 80 track is specially manufactured for each order and cannot be adjusted on site. An exact measurement is therefore important. We are happy to offer you the system, e.g. for optical reasons, also with a longer running rail than required for the respective situation. Max. delivery length of the Profiles: 5,940 mm. Translated with www.DeepL.com/Translator (free version)

Type illustrations wall installation



Fixed at wall

Product description

For installation with two door panels optional DORMOTION unit. When using a DORMOTION damping unit, we recommend installation of a pull handle.

Max. weight of door panels
80 kg.

Min. and max. panel measures see page 92.

Calculation of track length

2 panels
 $B = 1.5 \times LW - V/2 + 85$

2 + 2 panels
 $B = 1.5 \times LW - V + 67$

Calculation of glass width

2 panels
 $LL = (LW - V + 90) / 2$
 $SL = LL + V$

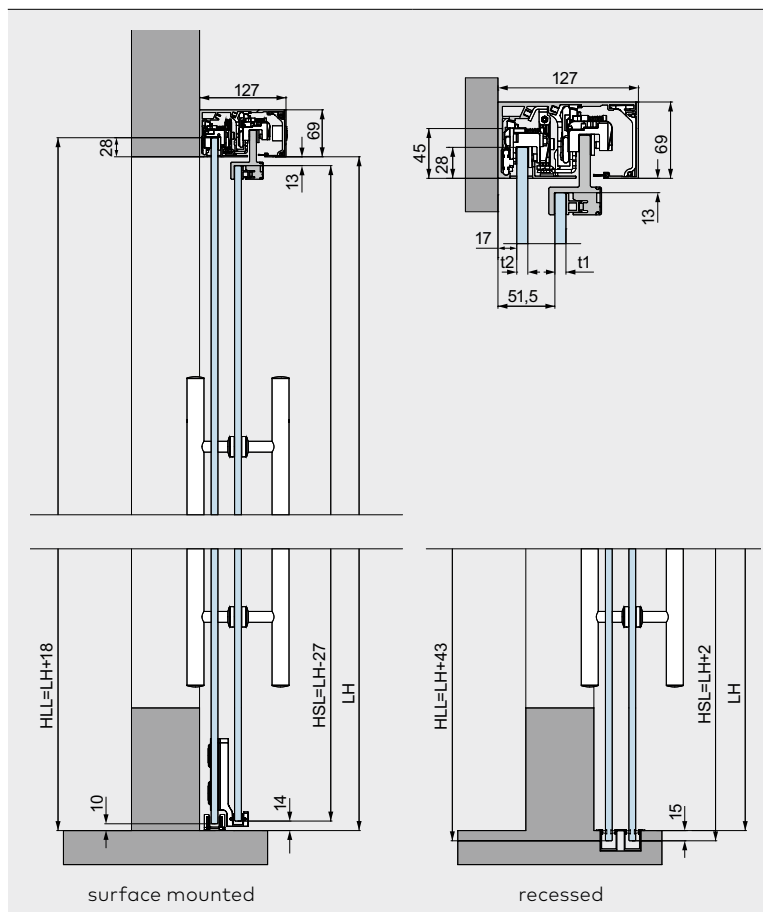
2 + 2 panels
 $LL = (LW - 2 \times V + 114) / 4$
 $SL = LL + V$

Calculation of glass height (=surface mounted)

$HLL = LH + 18$
 $HSL = LH - 27$

Calculation of glass height (=recessed)

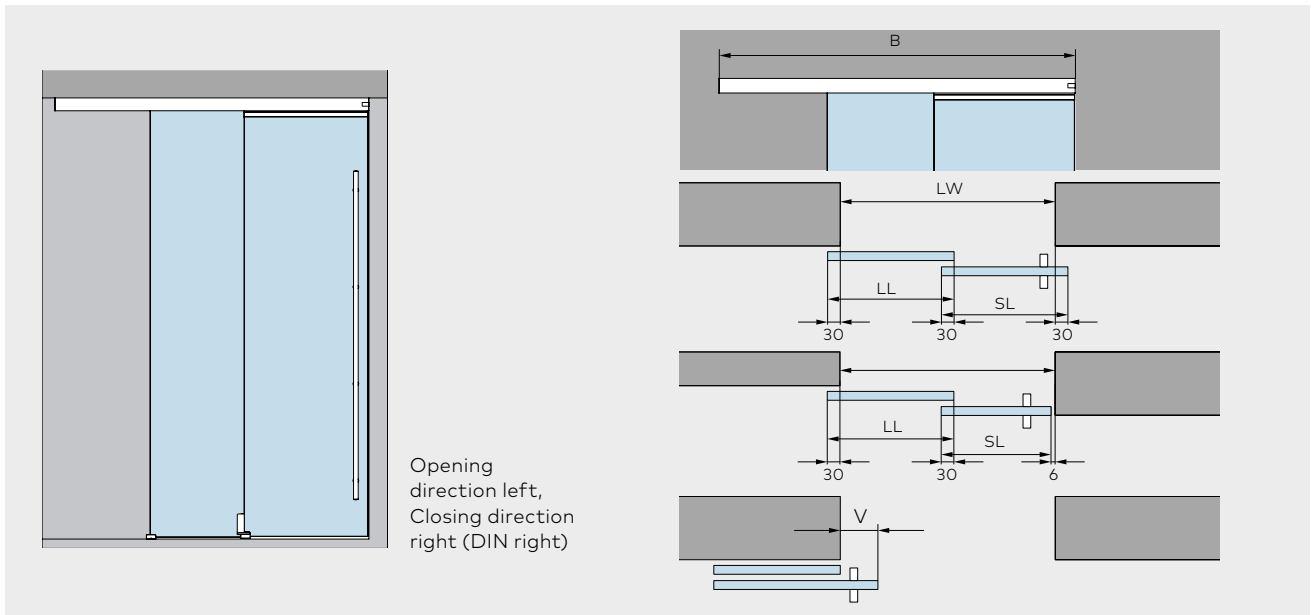
$HLL = LH + 43$
 $HSL = LH + 2$



- B = Length of track
- HLL = Glass height slow moving panel
- HSL = Glass height quick moving panel
- LH = Clear opening height
- LW = Clear opening width

- LL = slow moving panel
- SL = quick moving panel
- t1 = Glass thickness quick moving panel (SL)
- t2 = Glass thickness slow moving panel (LL)
- V = Overlapping size of handle bar

Type illustrations ceiling installation



Fixed at ceiling

Product description

For installation with two door panels fixed at ceiling, 8–13.5 mm glass thickness, optional DORMOTION unit. When using a DORMOTION damping unit, we recommend installation of a pull handle.

Max. weight of door panels
80 kg.

Min. and max. panel measures see page 92.

Calculation of track length
2 panels
 $B = 1.5 \times LW - V/2 + 85$

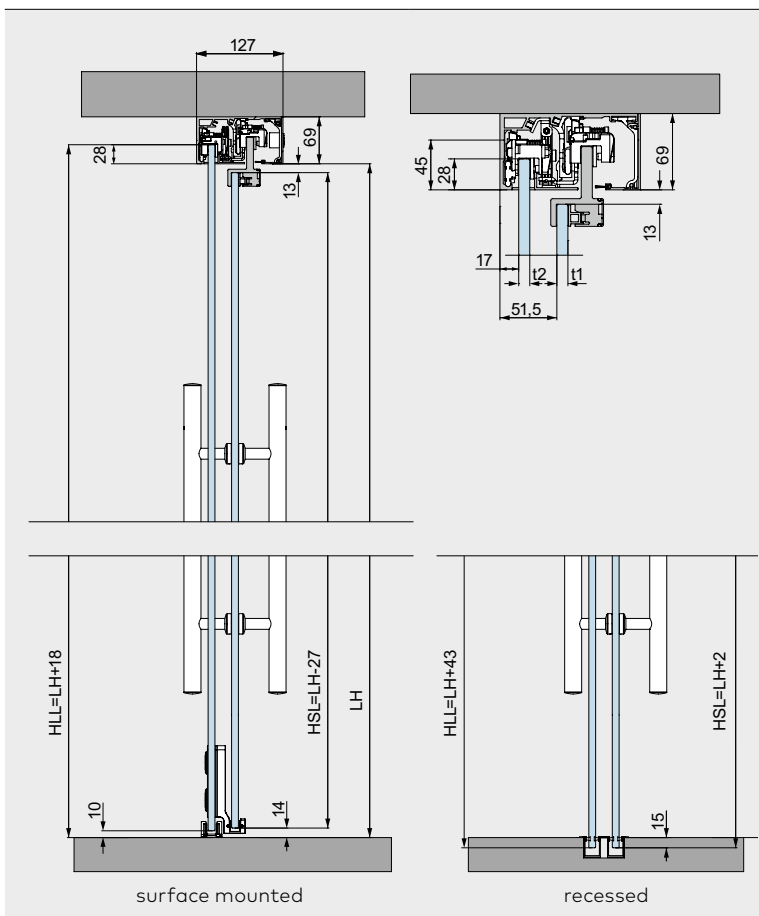
2 + 2 panels
 $B = 1.5 \times LW - V + 67$

Calculation of glass width
2 panels
 $LL = (LW - V + 90) / 2$
 $SL = LL + V$

2 + 2 panels
 $LL = (LW - 2 \times V + 114) / 4$
 $SL = LL + V$

Calculation of glass height (=surface mounted)
 $HLL = LH + 18$
 $HSL = LH - 27$

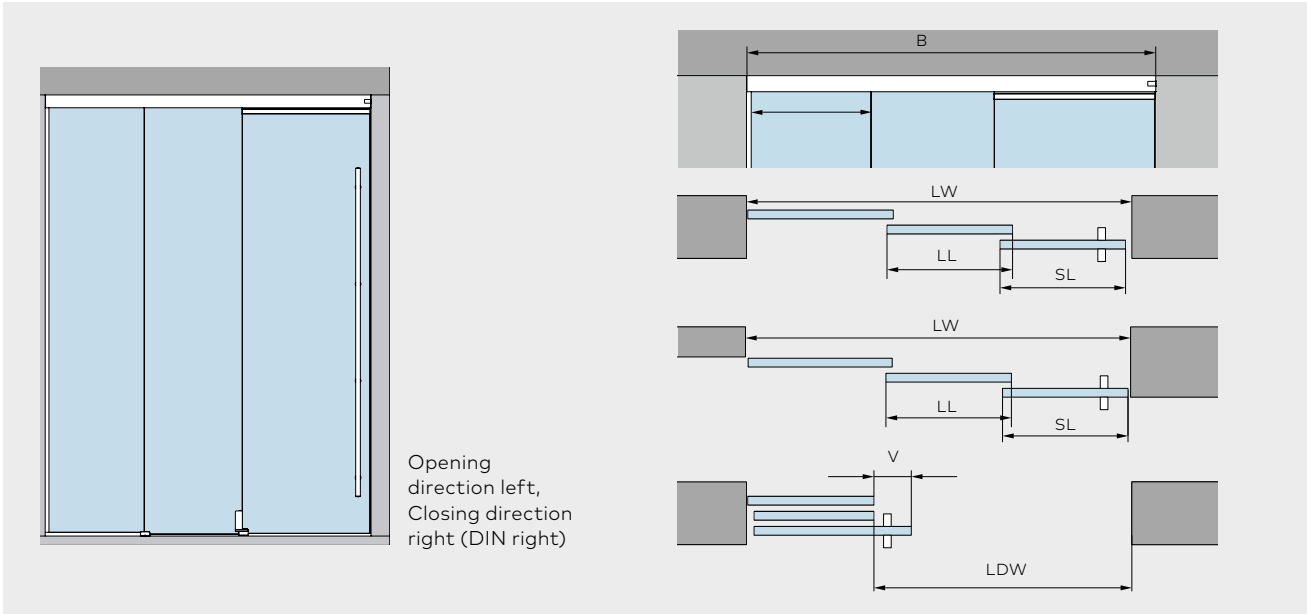
Calculation of glass height (=recessed)
 $HLL = LH + 43$
 $HSL = LH + 2$



- B = Length of track
- HLL = Glass height slow moving panel
- HSL = Glass height quick moving panel
- LH = Clear opening height
- LW = Clear opening width

- LL = slow moving panel
- SL = quick moving panel
- t1 = Glass thickness quick moving panel (SL)
- t2 = Glass thickness slow moving panel (LL)
- V = Overlapping size of handle bar

Type illustrations with sidelight, on one side



With sidelight

Product description

For installation with two door panels and sidelight on one side, fixed at ceiling, optional with DORMOTION unit. When using a DORMOTION damping unit, we recommend installation of a pull handle.

Max. weight of door panels

80 kg.

Min. and max. panel measures see page 92.

Calculation of track length

$$B = LW - 4 \text{ (incl. } 2 \times 2 \text{ mm end caps)}$$

Calculation of glass width

2 panels

$$LL = (LW - V + 51) / 3$$

$$SL = LL + V$$

2 + 2 panels

$$LL = (LW - 2 \times V + 102) / 6$$

$$SL = LL + V$$

Calculation of glass height (=surface mounted)

$$HLL = LH + 18$$

$$HSL = LH - 27$$

Calculation of glass height (=recessed)

$$HLL = LH + 43$$

$$HSL = LH + 2$$

Height side panel

2 panels

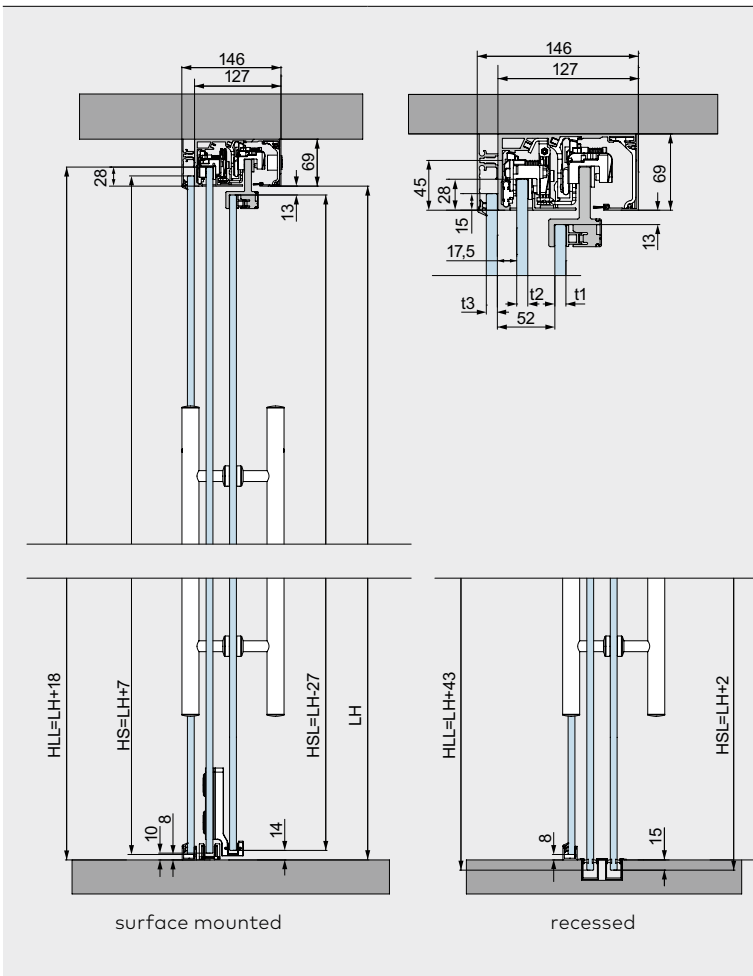
$$S \text{ min} = (LW - V + 66) / 3$$

$$LDW = LW - S - V$$

2 + 2 panels

$$S \text{ min} = (LW - 2 \times V + 132) / 6$$

$$LDW = LW - 2 \times S - V \times 2$$

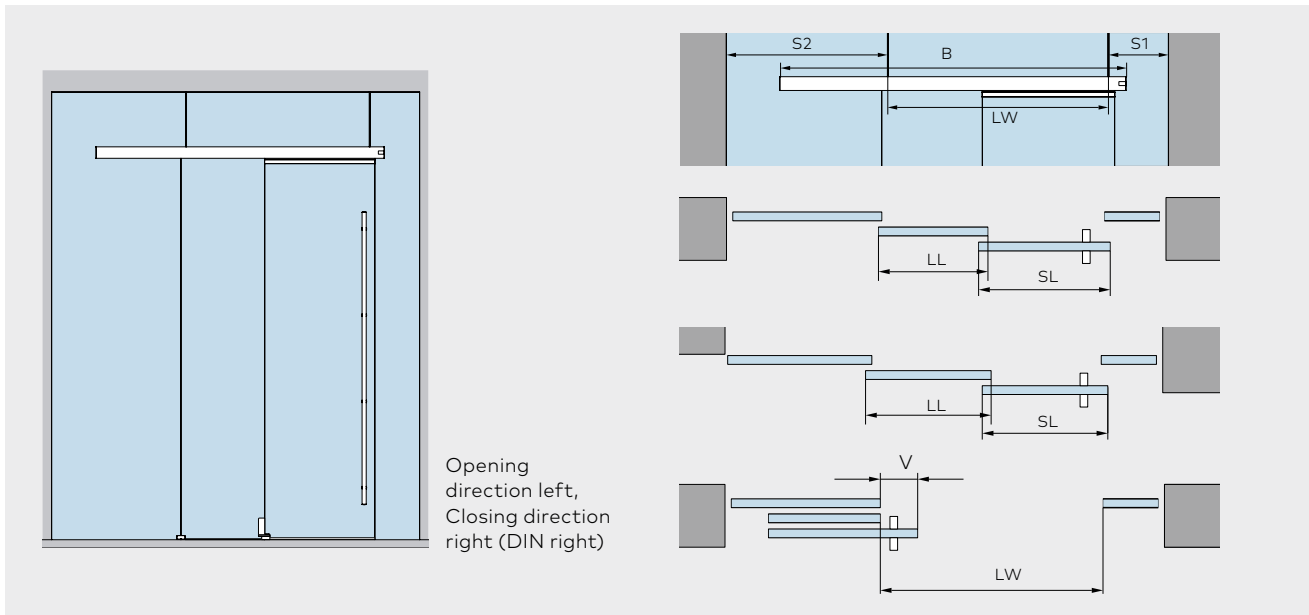


B = Length of track
 HLL = Glass height slow moving panel
 HSL = Glass height quick moving panel
 LH = Clear opening height (up to lower edge of track rail!)

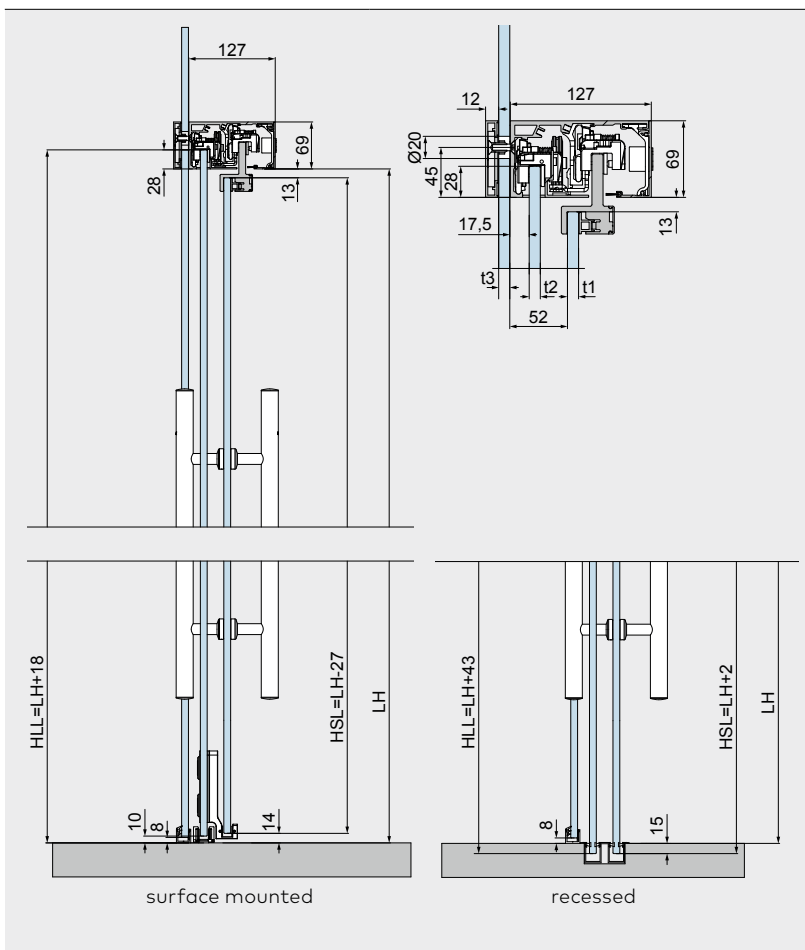
LW = Clear opening width
 LDW = Clear opening passage width
 LL = Slow moving panel
 SL = Quick moving panel
 S = Glass sidelight

t1 = Glass thickness quick moving panel (SL)
 HS = Height side panel
 t2 = Glass thickness slow moving panel (LL)
 t3 = Glass thickness sidepanel
 V = Overlapping size of handle bar

Type illustrations glass installation



Fixed at ceiling



Product description

For installation with two door panels fixed at glass, 8–13.5 mm glass thickness, optional with DORMOTION unit. When using a DORMOTION damping unit, we recommend installation of a pull handle.

Max. weight of door panels
80 kg.

Min. and max. panel measures see page 92.

Calculation track length

2 panels
 $B = 1.5 \times LW - V/2 + 135$

2 + 2 panels
 $B = 1.5 \times LW - V + 67$

Calculation of glass width

2 panels
 $LL = (LW - V + 90) / 2$
 $SL = LL + V$

2 + 2 panels
 $LL = (LW - 2 \times V + 114) / 4$
 $SL = LL + V$

Calculation of glass height

(=surface mounted)
 $HLL = LH + 18$
 $HSL = LH - 27$

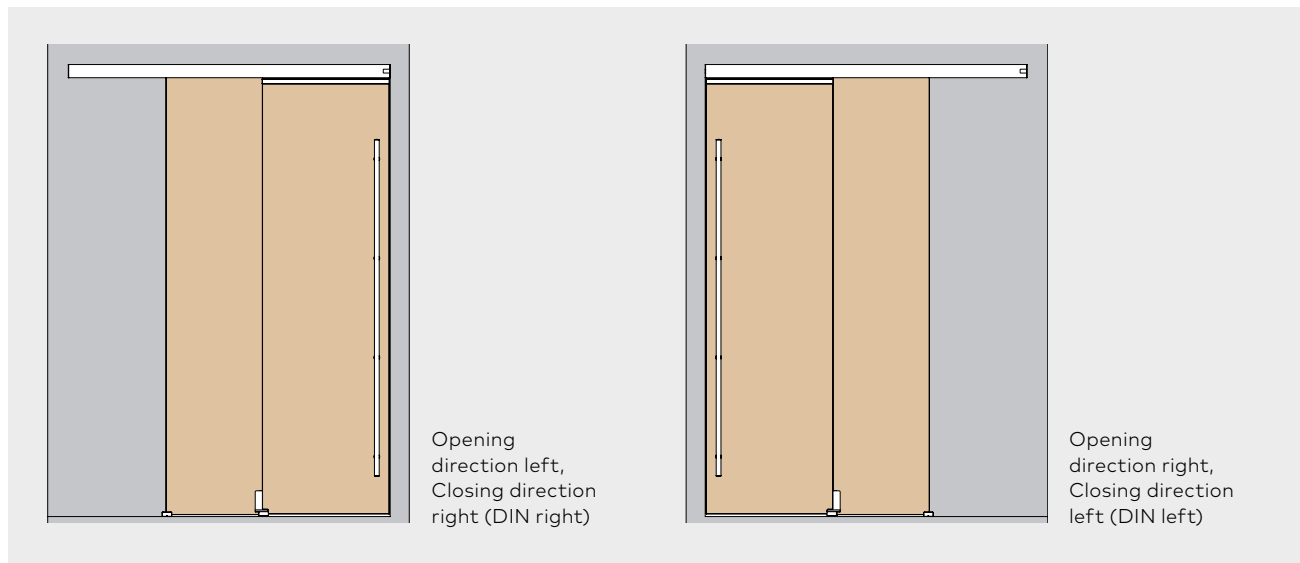
Calculation of glass height (=recessed)

$HLL = LH + 43$
 $HSL = LH + 2$

You will find a calculation tool for the glass preparation of the fixed parts MUTO on glass under the following link
<https://glas-innovationen.com/glass-innovations/muto>

- | | | |
|---------------------------------------|--------------------------|--|
| B = Length of track | LW = Clear opening width | t1 = Glass thickness quick moving panel (SL) |
| HLL = Glass height slow moving panel | LL = Slow moving panel | t2 = Glass thickness slow moving panel (LL) |
| HSL = Glass height quick moving panel | SL = Quick moving panel | t3 = Glass thickness sidepanel |
| LH = Clear opening height | | V = Overlapping size of handle bar |

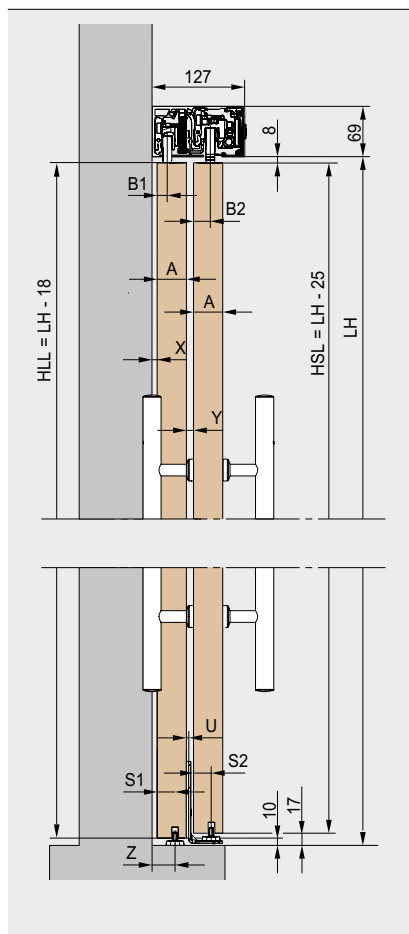
Type illustrations for timber door



Opening direction left, Closing direction right (DIN right)

Opening direction right, Closing direction left (DIN left)

Fixed at wall



A	S1	S2	X	Y	Z	B1	B2	U
28	9.5	9.5	11	23	25	10	18	6
29	9.5	9.5	11	22	25	10	18	5
30	9.5	9.5	11	21	25	10	18	4
31	9.5	9.5	11	20	25	10	18	3
32	9.5	9.5	11	19	25	10	18	2
33	9.5	9.5	11	18	25	10	18	1
34	9.5	9.5	11	17	25	10	18	-
35	14	14	11	13	29.5	10	21.5	-
36	14	14	11	13	29.5	10	20.5	-
37	14	14	11	13	29.5	10	19.5	-
38	14	14	11	13	29.5	10	18.5	-
39	14	14	11	13	29.5	10	17.5	-
40	20	20	7	7	31.5	14	26	-
41	20	20	7	7	31.5	14	25	-
42	20	20	7	7	31.5	14	24	-
43	20	20	7	7	31.5	14	23	-
44	20	20	7	7	31.5	14	22	-
45	20	20	7	7	31.5	14	21	-
46	20	20	7	7	31.5	14	20	-
47	20	20	7	7	31.5	14	19	-
48	20	20	7	7	31.5	14	18	-
49	20	20	7	7	31.5	14	17	-
50	20	20	7	7	31.5	14	16	-

Product description

Product description
For installation with two timber doors, for 28–50 mm timber elements

Optional with DORMOTION unit. When using a DORMOTION damping unit, we recommend installation of a pull handle.

Max. weight of door panels
80 kg.

Min. and max. panel measures see page 92.

Calculation of track length
cf. glass calculations

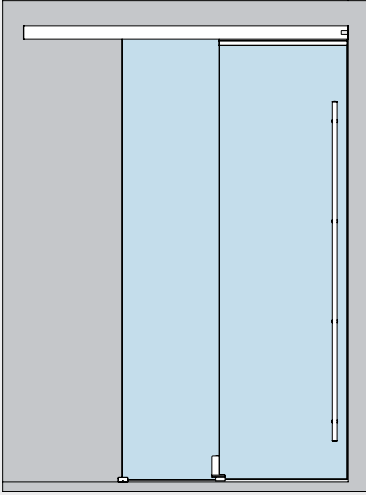
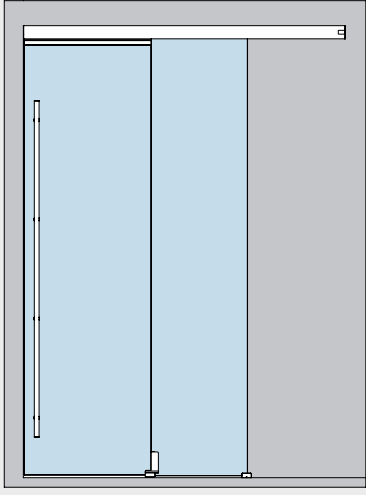
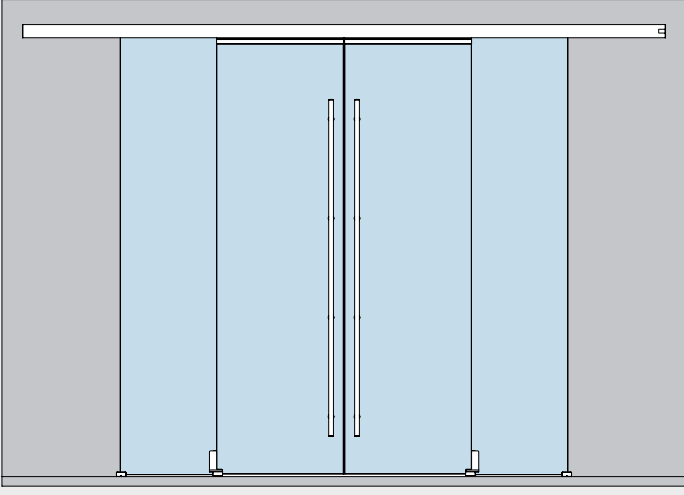
Calculation panel width
cf. glass calculations

Calculation of panel height
HLL = LH + 18
HSL = LH - 25

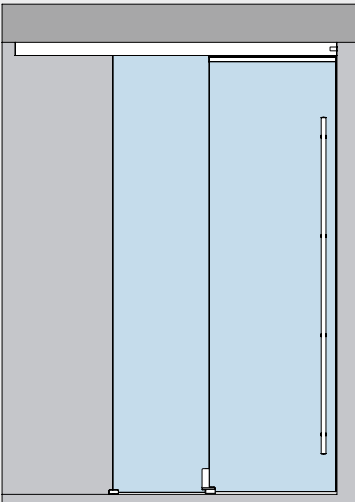
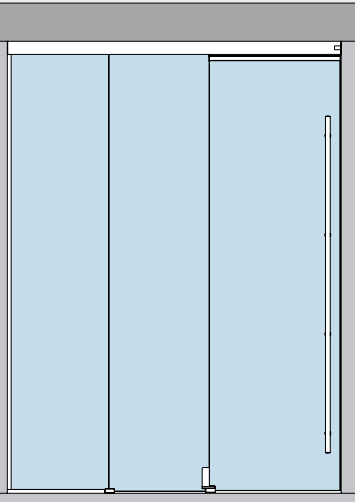
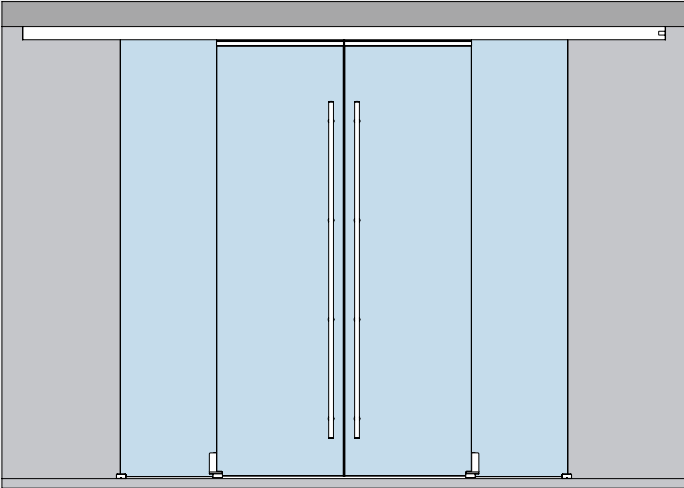
Timber door in upper area from 100 mm, solid wood, for attachment to timber adapter.

- LH = Clear opening height
- HLL = Glass height slow moving panel
- HSL = Glass height quick moving panel

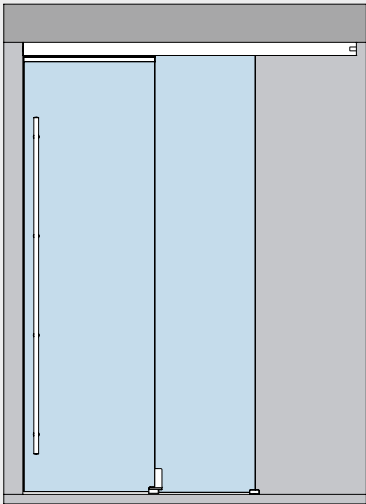
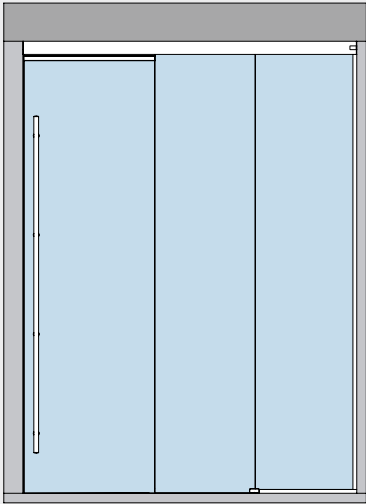
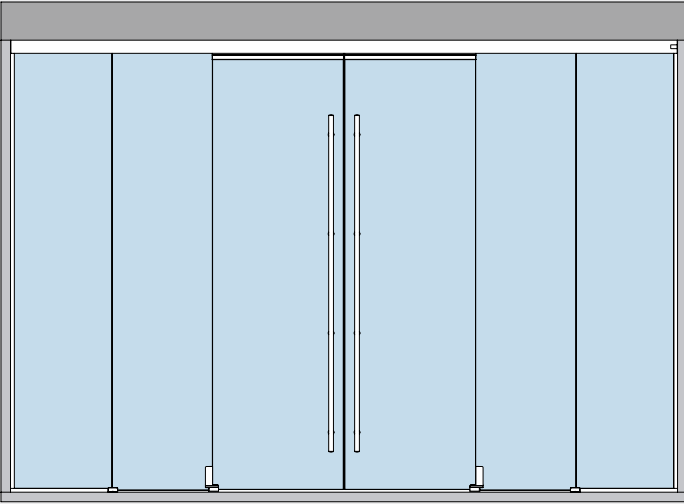
Glass door sets, with moving floor guide

Fixed at wall	Product description	Art. No.
	<p>MUTO Premium Telescopic 80</p> <p>Set 1 for wall installation, with moving floor guide, 2 panels (left)</p> <p>Incl. track profile, cover profile and brushes</p> <p>Complete accessories for 8 – 13.5 mm glass thickness, max. 80 kg</p> <p>Prepared for option DORMOTION</p>	<p>36.701</p>
	<p>MUTO Premium Telescopic 80</p> <p>Set 2 for wall installation, with moving floor guide, 2 panels (right)</p> <p>Incl. track profile, cover profile and brushes</p> <p>Complete accessories for 8 – 13.5 mm glass thickness, max. 80 kg</p> <p>Prepared for option DORMOTION</p>	<p>36.702</p>
	<p>MUTO Premium Telescopic 80</p> <p>Set 3 for wall installation, with moving floor guide, 4 panels (2 left / 2 right)</p> <p>Incl. track profile, cover profile and brushes</p> <p>Complete accessories for 8 – 13.5 mm glass thickness, max. 80 kg</p> <p>Prepared for option DORMOTION</p>	<p>36.709</p>

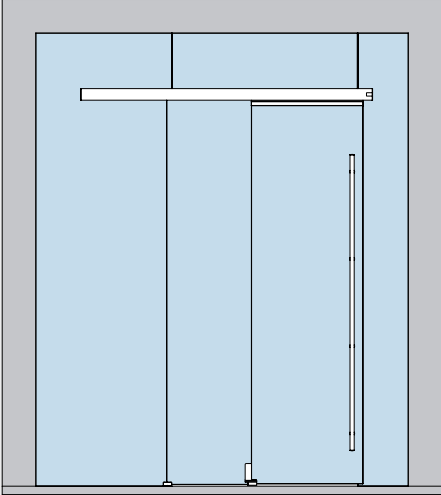
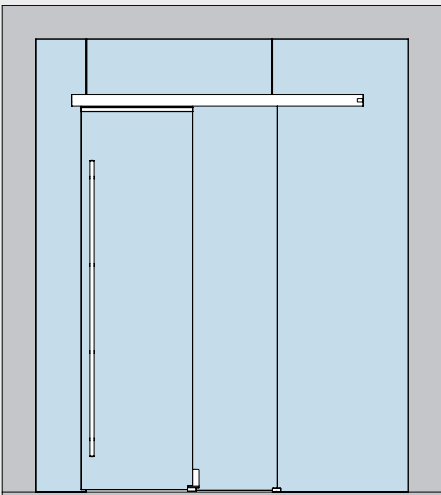
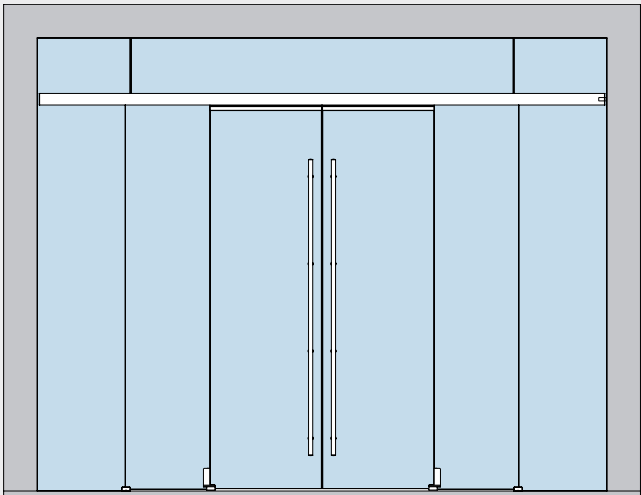
Please ensure that the order form is complete when submitting an order.

Fixed at ceiling	Product description	Art. No.
	<p>MUTO Premium Telescopic 80</p> <p>Set 4 for ceiling installation, with moving floor guide, 2 panels (left)</p> <p>Incl. track profile, cover profile and brushes</p> <p>Complete accessories for 8 – 13.5 mm glass thickness, max. 80 kg</p> <p>Prepared for option DORMOTION</p>	<p>36.703</p>
	<p>MUTO Premium Telescopic 80</p> <p>Set 5 for ceiling installation, with moving floor guide, 2 panels (left) plus side panel</p> <p>Incl. track profile, cover profile, side panel profile and brushes</p> <p>Complete accessories for 8 – 13.5 mm glass thickness, max. 80 kg</p> <p>Prepared for option DORMOTION</p>	<p>36.704</p>
	<p>MUTO Premium Telescopic 80</p> <p>Set 6 for ceiling installation, with moving floor guide, 4 panels (2 left /2 right)</p> <p>Incl. track profile, cover profile, side panel profile and brushes</p> <p>Complete accessories for 8 – 13.5 mm glass thickness, max. 80 kg</p> <p>Prepared for option DORMOTION</p>	<p>36.710</p>

Please ensure that the order form is complete when submitting an order.

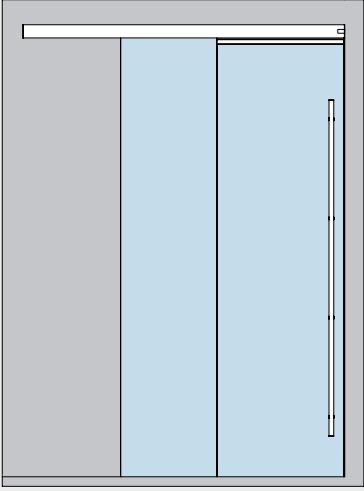

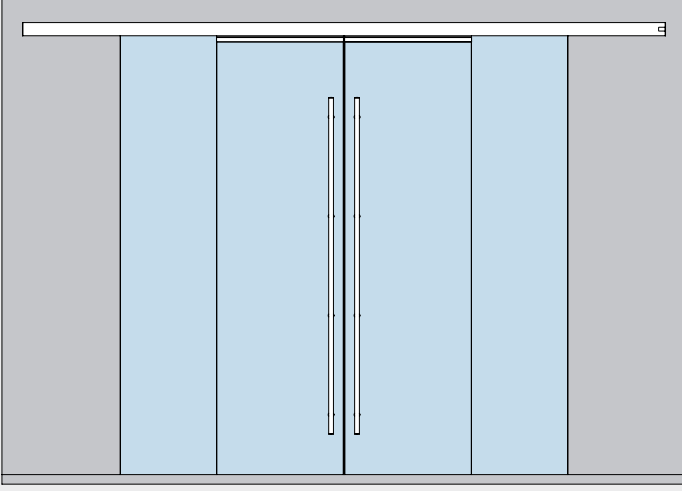
Fixed at ceiling	Product description	Art. No.
	<p>MUTO Premium Telescopic 80</p> <p>Set 7 for ceiling installation, with moving floor guide, 2 panels (right)</p> <p>Incl. track profile, cover profile and brushes</p> <p>Complete accessories for 8 – 13.5 mm glass thickness, max. 80 kg</p> <p>Prepared for option DORMOTION</p>	<p>36.705</p>
	<p>MUTO Premium Telescopic 80</p> <p>Set 8 for ceiling installation, with moving floor guide, 2 panels (right) plus side panel</p> <p>Incl. track profile, cover profile, side panel profile and brushes</p> <p>Complete accessories for 8 – 13.5 mm glass thickness, max. 80 kg</p> <p>Prepared for option DORMOTION</p>	<p>36.706</p>
	<p>MUTO Premium Telescopic 80</p> <p>Set 9 for ceiling installation, with moving floor guide, 4 panels (2 left / 2 right) plus side panels</p> <p>Incl. track profile, cover profile, side panel profiles and brushes</p> <p>Complete accessories for 8 – 13.5 mm glass thickness, max. 80 kg</p> <p>Prepared for option DORMOTION</p>	<p>36.711</p>

Please ensure that the order form is complete when submitting an order.

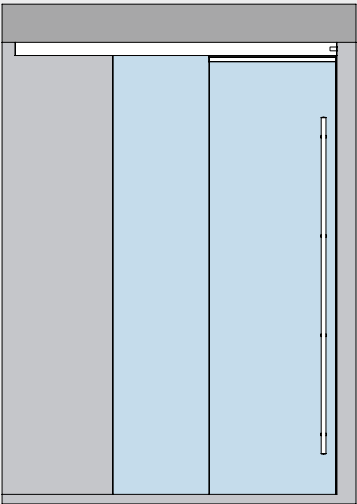
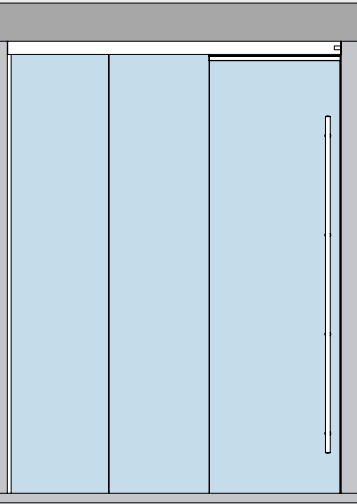
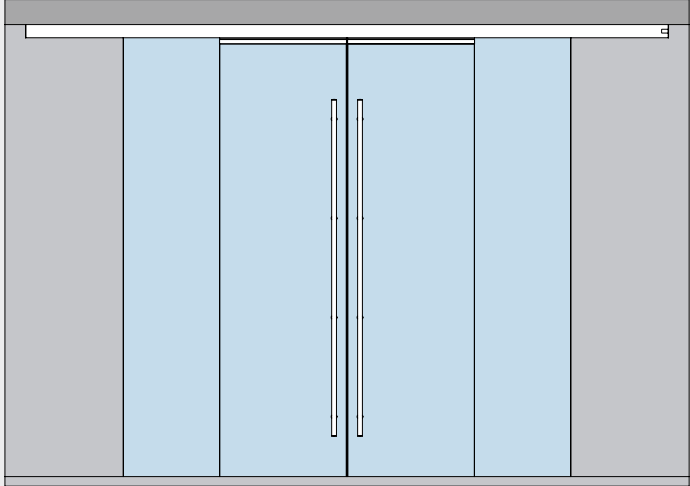
Fixed at glass	Product description	Art. No.
	<p>MUTO Premium Telescopic 80</p> <p>Set 10 for glass installation, with moving floor guide, 2 panels (left)</p> <p>Incl. track profile, cover-, counter profile and brushes</p> <p>Complete accessories for 8 – 13.5 mm glass thickness, max. 80 kg</p> <p>Prepared for option DORMOTION</p>	36.707
	<p>MUTO Premium Telescopic 80</p> <p>Set 11 for glass installation, with moving floor guide, 2 panels (right)</p> <p>Incl. track profile, cover-, counter profile and brushes</p> <p>Complete accessories for 8 – 13.5 mm glass thickness, max. 80 kg</p> <p>Prepared for option DORMOTION</p>	36.708
	<p>MUTO Premium Telescopic 80</p> <p>Set 12 for glass installation, with moving floor guide, 4 panels (2 left / 2 right)</p> <p>Incl. track profile, cover-, counter profile and brushes</p> <p>Complete accessories for 8 – 13.5 mm glass thickness, max. 80 kg</p> <p>Prepared for option DORMOTION</p>	36.712

Please ensure that the order form is complete when submitting an order.


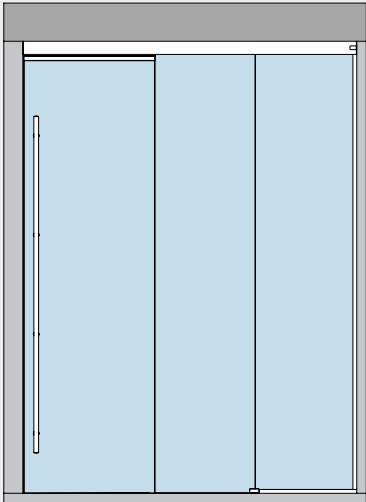
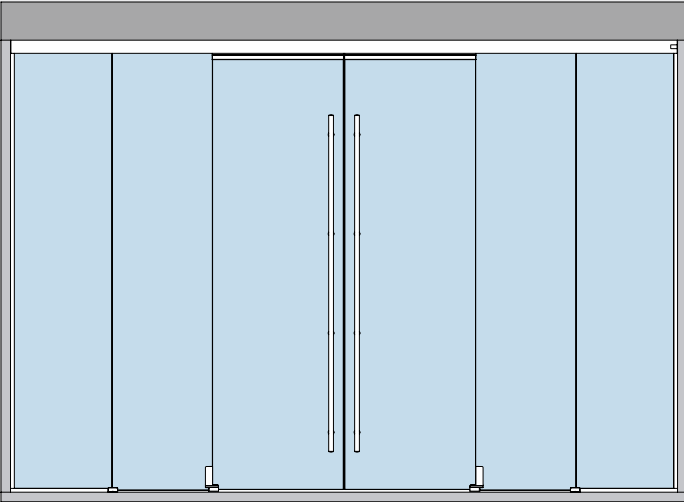
Glass door sets, with recessed floor guide profile

Fixed at wall	Product description	Art. No.
	<p>MUTO Premium Telescopic 80</p> <p>Set 13 for wall installation, with recessed floor guide profile, 2 panels (left)</p> <p>Incl. track profile, cover profile and brushes</p> <p>Complete accessories for 8 – 13.5 mm glass thickness, max. 80 kg</p> <p>Prepared for option DORMOTION</p> <p>Set 13.1 also for lintel/90° stopped</p>	<p>36.713</p> <p>36.741</p>
	<p>MUTO Premium Telescopic 80</p> <p>Set 14 for wall installation, with recessed floor guide profile, 2 panels (right)</p> <p>Incl. track profile, cover profile and brushes</p> <p>Complete accessories for 8 – 13.5 mm glass thickness, max. 80 kg</p> <p>Prepared for option DORMOTION</p> <p>Set 14.1 also for lintel/90° stopped</p>	<p>36.714</p> <p>36.742</p>
	<p>MUTO Premium Telescopic 80</p> <p>Set 15 for wall installation, with recessed floor guide profile, 4 panels (2 left / 2 right)</p> <p>Incl. track profile, cover profile and brushes</p> <p>Complete accessories for 8 – 13.5 mm glass thickness, max. 80 kg</p> <p>Prepared for option DORMOTION</p>	<p>36.721</p>

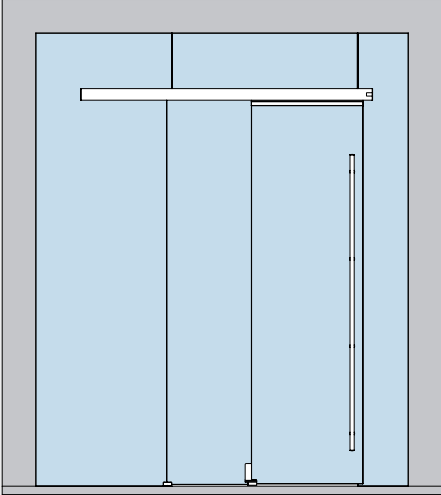
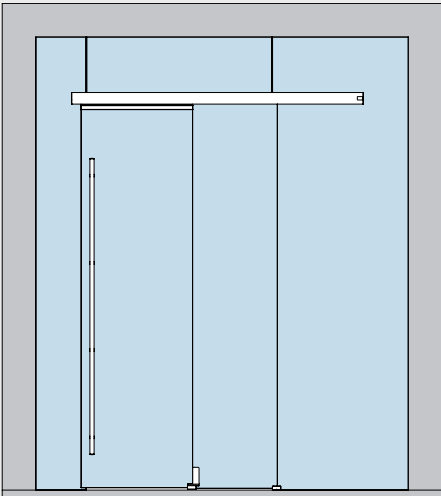
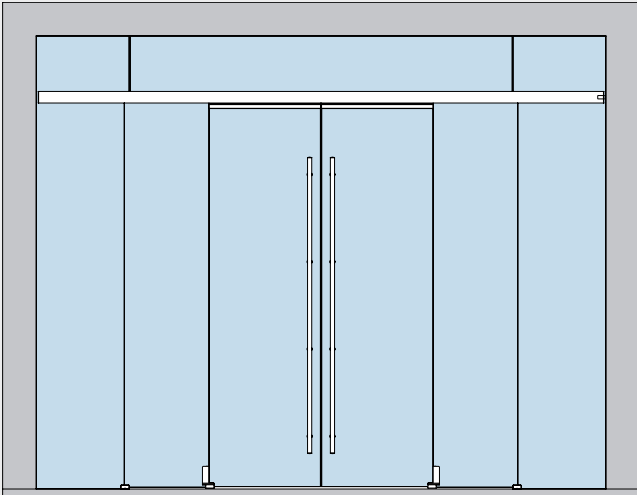
Please ensure that the order form is complete when submitting an order.

Fixed at ceiling	Product description	Art. No.
	<p>MUTO Premium Telescopic 80</p> <p>Set 16 for ceiling installation, with recessed floor guide profile, 2 panels (left)</p> <p>Incl. track profile, cover profile and brushes</p> <p>Complete accessories for 8 – 13.5 mm glass thickness, max. 80 kg</p> <p>Prepared for option DORMOTION</p>	<p>36.715</p>
	<p>MUTO Premium Telescopic 80</p> <p>Set 17 for ceiling installation, with recessed floor guide profile, 2 panels (left) plus side panel</p> <p>Incl. track profile, cover profile, side panel profile and brushes</p> <p>Complete accessories for 8 – 13.5 mm glass thickness, max. 80 kg</p> <p>Prepared for option DORMOTION</p>	<p>36.716</p>
	<p>MUTO Premium Telescopic 80</p> <p>Set 18 for ceiling installation, with recessed floor guide profile, 4 panels (2 left / 2 right)</p> <p>Incl. track profile, cover profile and brushes</p> <p>Complete accessories for 8 – 13.5 mm glass thickness, max. 80 kg</p> <p>Prepared for option DORMOTION</p>	<p>36.722</p>

Please ensure that the order form is complete when submitting an order.

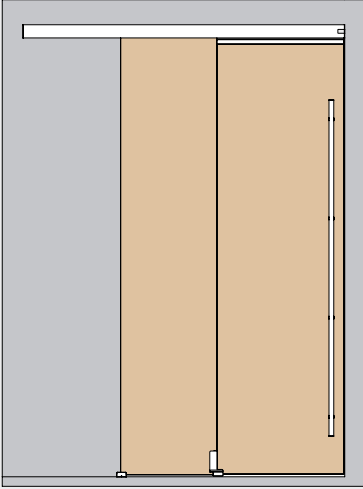
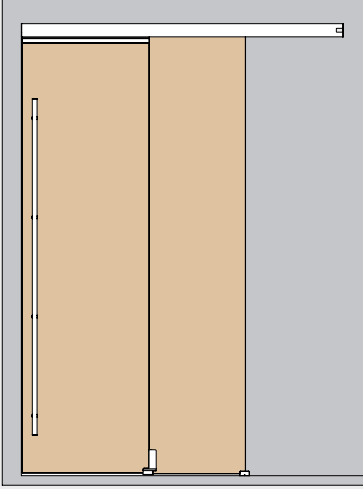
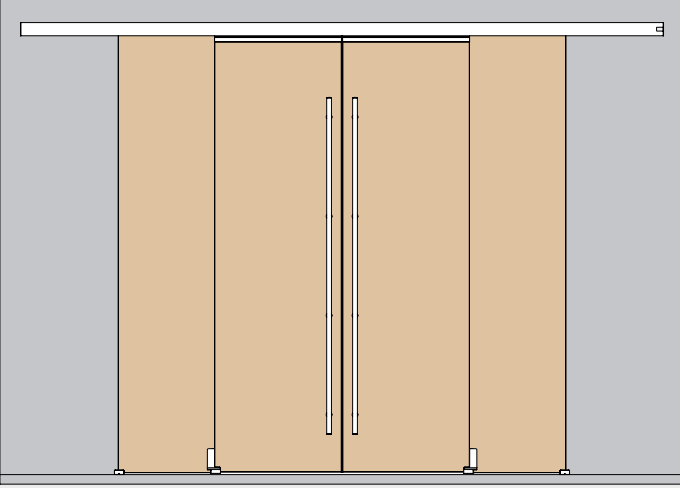
Fixed at ceiling	Product description	Art. No.
	<p>MUTO Premium Telescopic 80</p> <p>Set 19 for ceiling installation, with recessed floor guide profile, 2 panels (right)</p> <p>Incl. track profile, cover profile and brushes</p> <p>Complete accessories for 8 – 13.5 mm glass thickness, max. 80 kg</p> <p>Prepared for option DORMOTION</p>	<p>36.717</p>
	<p>MUTO Premium Telescopic 80</p> <p>Set 20 for ceiling installation, with recessed floor guide profile, 2 panels (right) plus side panel</p> <p>Incl. track profile, cover profile, side panel profile and brushes</p> <p>Complete accessories for 8 – 13.5 mm glass thickness, max. 80 kg</p> <p>Prepared for option DORMOTION</p>	<p>36.718</p>
	<p>MUTO Premium Telescopic 80</p> <p>Set 21 for ceiling installation, with recessed floor guide profile, 4 panels (2 left / 2 right) plus side panels</p> <p>Incl. track profile, cover profile, side panel profiles and brushes</p> <p>Complete accessories for 8 – 13.5 mm glass thickness, max. 80 kg</p> <p>Prepared for option DORMOTION</p>	<p>36.723</p>

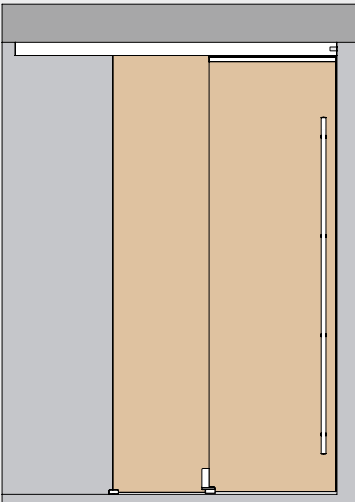
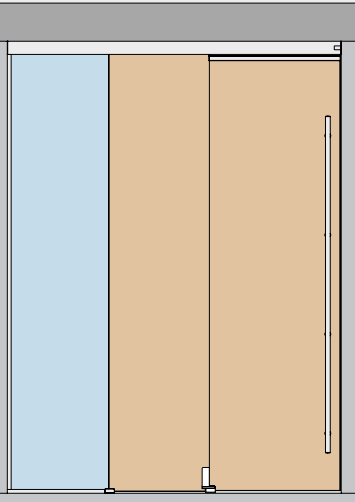
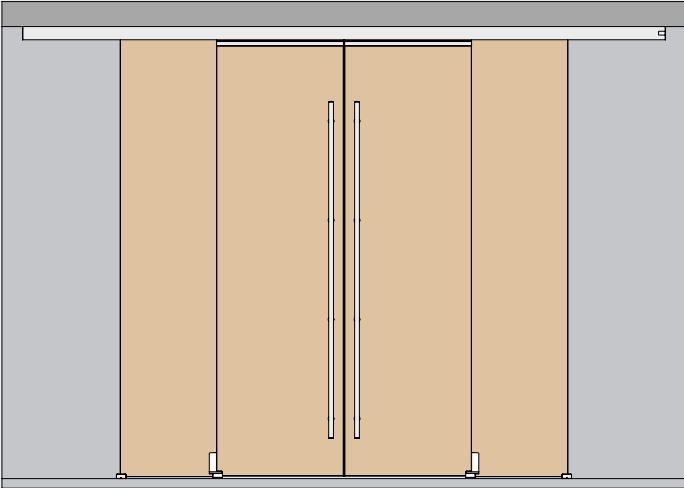
Please ensure that the order form is complete when submitting an order.

Fixed at glass	Product description	Art. No.
	<p>MUTO Premium Telescopic 80</p> <p>Set 22 for glass installation, with recessed floor guide profile, 2 panels (left)</p> <p>Incl. track profile, cover-, counter profile and brushes</p> <p>Complete accessories for 8 – 13.5 mm glass thickness, max. 80 kg</p> <p>Prepared for option DORMOTION</p>	36.719
	<p>MUTO Premium Telescopic 80</p> <p>Set 23 for glass installation, with recessed floor guide profile, 2 panels (right)</p> <p>Incl. track profile, cover-, counter profile and brushes</p> <p>Complete accessories for 8 – 13.5 mm glass thickness, max. 80 kg</p> <p>Prepared for option DORMOTION</p>	36.720
	<p>MUTO Premium Telescopic 80</p> <p>Set 24 for glass installation, with recessed floor guide profile, 4 panels (2 left / 2 right)</p> <p>Incl. track profile, cover-, counter profile and brushes</p> <p>Complete accessories for 8 – 13.5 mm glass thickness, max. 80 kg</p> <p>Prepared for option DORMOTION</p>	36.724

Please ensure that the order form is complete when submitting an order.

Timber door sets, with moving floor guide

Fixed at wall	Product description	Art. No.
	<p>MUTO Premium Telescopic 80</p> <p>Set 25 for wall installation, with moving floor guide, 2 panels (left),</p> <p>Incl. track profile, cover profile and brushes.</p> <p>For 28 – 50 mm timber elements, max. 80 kg</p> <p>Prepared for option DORMOTION</p>	36.725
	<p>Set 25.1 also for lintel/90° stopped</p>	36.792
	<p>MUTO Premium Telescopic 80</p> <p>Set 26 for wall installation, with moving floor guide, 2 panels (right),</p> <p>Incl. track profile, cover profile and brushes.</p> <p>For 28 – 50 mm timber elements, max. 80 kg</p> <p>Prepared for option DORMOTION</p>	36.726
	<p>Set 26.1 also for lintel/90° stopped</p>	36.793
	<p>MUTO Premium Telescopic 80</p> <p>Set 27 for wall installation, with moving floor guide, 4 panels (2 left / 2 right)</p> <p>Incl. track profile, cover profile and brushes</p> <p>For 28 – 50 mm timber elements, max. 80 kg</p> <p>Prepared for option DORMOTION</p>	36.733
	<p>Please ensure that the order form is complete when submitting an order.</p>	

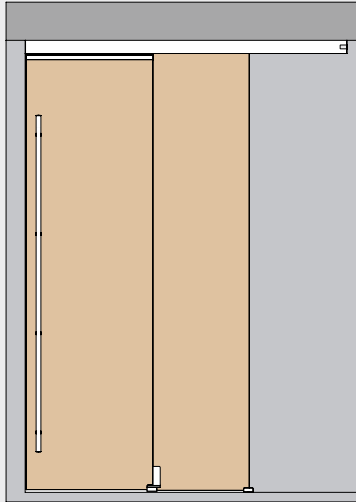
Fixed at ceiling	Product description	Art. No.
	<p>MUTO Premium Telescopic 80</p> <p>Set 28 for ceiling installation, with moving floor guide, 2 panels (left)</p> <p>Incl. track profile, cover profile and brushes</p> <p>For 28 – 50 mm timber elements, max. 80 kg</p> <p>Prepared for option DORMOTION</p>	<p>36.727</p>
	<p>MUTO Premium Telescopic 80</p> <p>Set 29 for ceiling installation, with moving floor guide, 2 panels (left) plus side panel (glass)</p> <p>Incl. track profile, cover profile, side panel profile and brushes</p> <p>For 28 – 50 mm timber elements, max. 80 kg</p> <p>Prepared for option DORMOTION</p>	<p>36.728</p>
	<p>MUTO Premium Telescopic 80</p> <p>Set 30 for ceiling installation, with moving floor guide, 4 panels (2 left / 2 right)</p> <p>Incl. track profile, cover profile, and brushes</p> <p>For 28 – 50 mm timber elements, max. 80 kg</p> <p>Prepared for option DORMOTION</p>	<p>36.734</p>

Please ensure that the order form is complete when submitting an order.

Fixed at ceiling

Product description

Art. No.

**MUTO Premium Telescopic 80****Set 31**

for ceiling installation, with moving floor guide, 2 panels (right) plus side panel

36.729

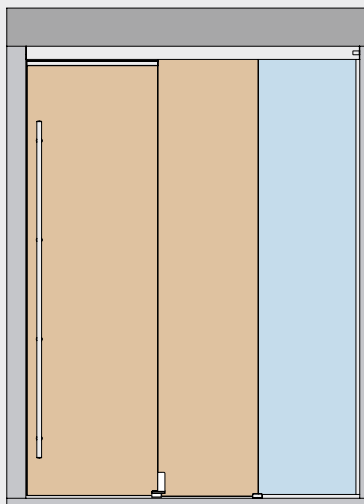
Incl. track profile, cover profile, side panel profile and brushes

For 28 – 50 mm timber elements, max. 80 kg

Prepared for option DORMOTION

Set 31.1

also for lintel/90° stopped

36.795**MUTO Premium Telescopic 80****Set 32**

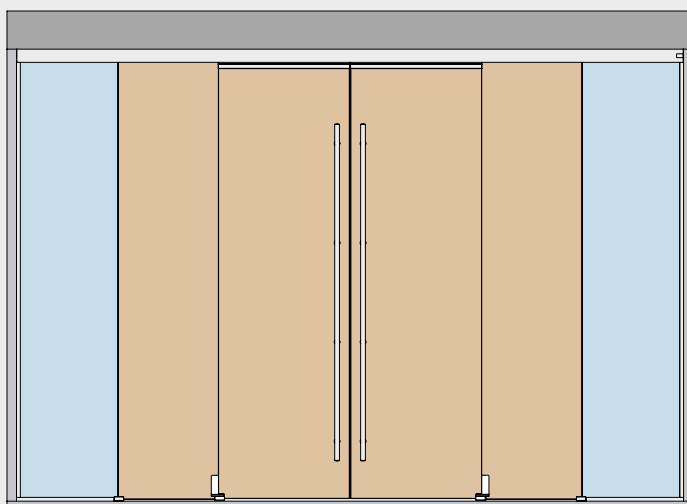
for ceiling installation, with moving floor guide, 2 panels (right) plus side panel (glass)

36.730

Incl. track profile, cover profile, side panel profile and brushes

For 28 – 50 mm timber elements, max. 80 kg

Prepared for option DORMOTION

**MUTO Premium Telescopic 80****Set 33**

for ceiling installation, with moving floor guide, 4 panels (2 left / 2 right) plus side panels

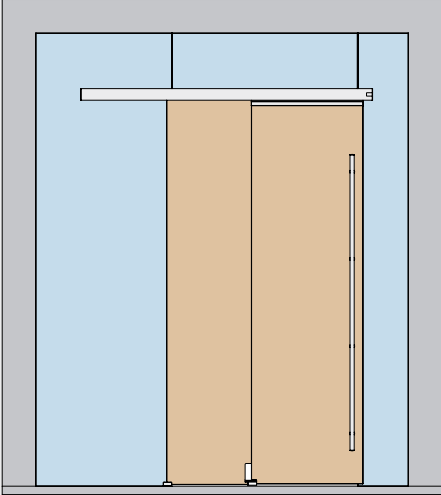
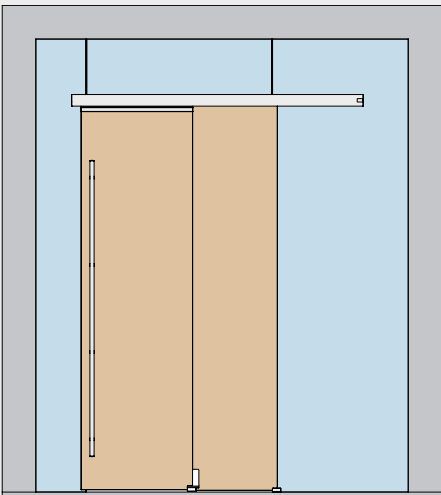
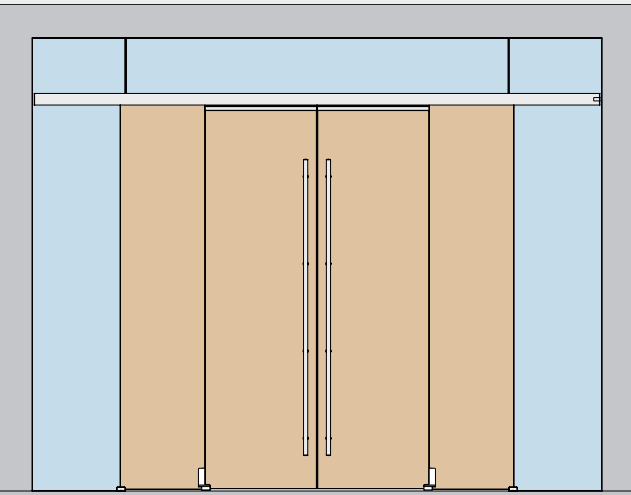
36.735

Incl. track profile, cover profile, side panel profiles and brushes

For 28 – 50 mm timber elements, max. 80 kg

Prepared for option DORMOTION

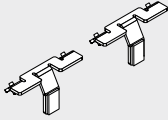
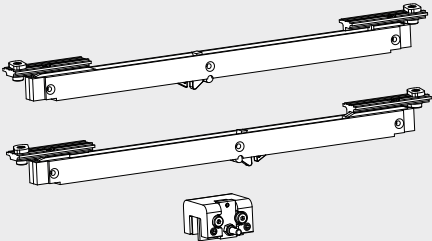
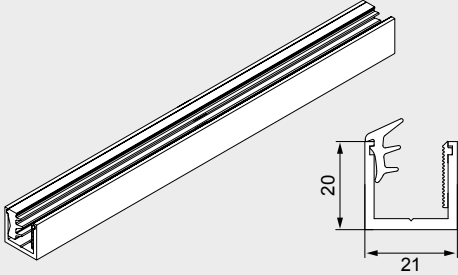
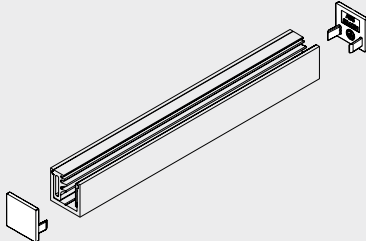
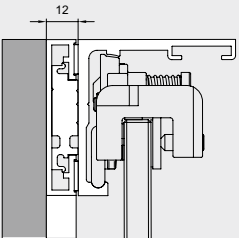
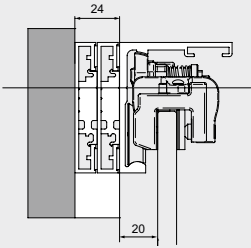
Please ensure that the order form is complete when submitting an order.

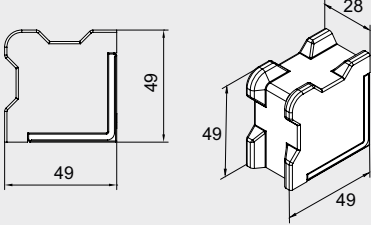
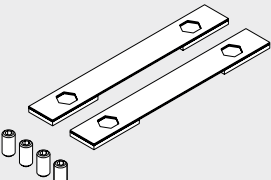
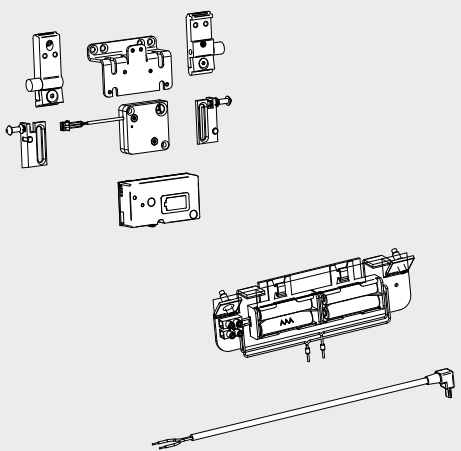
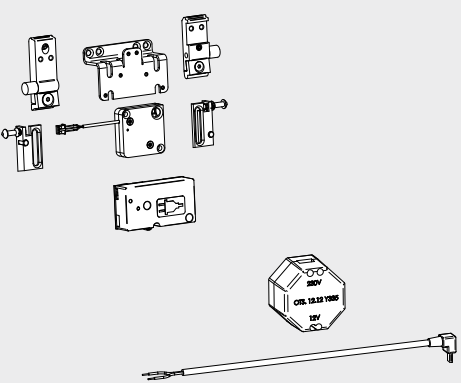
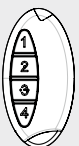
Fixed at glass	Product description	Art. No.
	<p>MUTO Premium Telescopic 80</p> <p>Set 34 for glass installation, with moving floor guide, 2 panels (left)</p> <p>Incl. track profile, cover-, counter profile and brushes</p> <p>For 28 – 50 mm timber elements, max. 80 kg</p> <p>Prepared for option DORMOTION</p>	36.731
	<p>MUTO Premium Telescopic 80</p> <p>Set 35 for glass installation, with moving floor guide, 2 panels (right)</p> <p>Incl. track profile, cover-, counter profile and brushes</p> <p>For 28 – 50 mm timber elements, max. 80 kg</p> <p>Prepared for option DORMOTION</p>	36.732
	<p>MUTO Premium Telescopic 80</p> <p>Set 36 for glass installation, with moving floor guide, 4 panels (2 left / 2 right)</p> <p>Incl. track profile, cover-, counter profile and brushes</p> <p>For 28 – 50 mm timber elements, max. 80 kg</p> <p>Prepared for option DORMOTION</p>	36.736

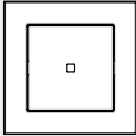
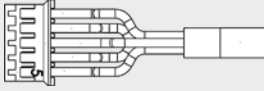
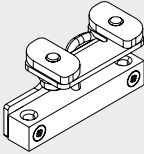
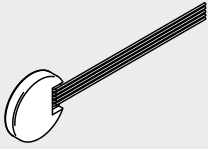
Please ensure that the order form is complete when submitting an order.

Space for your notes

Component parts

	Product description	Art. No.
	<p>MUTO spacer (2 pieces) for the installation at ceiling between two walls</p>	<p>36.890</p>
	<p>MUTO Premium Telescopic 80 DORMOTION unit incl. starter</p>	<p>36.786</p>
	<p>Comfort Floor profile for side panel fixing, complete with all gaskets, Profile for 8 – 13.5 mm glass</p> <p>stock length 6,000 mm</p> <p>fixed length mm*</p>	<p>36.810</p> <p>36.811</p>
	<p>Comfort Set endcaps for floor profile - side panel fixing</p>	<p>36.812</p>
	<p>MUTO Premium - balance profile set 12 mm, for installation over an existing door frame; compensates for the frame thickness; fixed length</p>	<p>36.870</p>
	<p>MUTO Premium - balance profile set 24 mm, for installation over an existing door frame; compensates for the frame thickness; fixed length</p>	<p>36.871</p>

	Product description	Art. No.
	<p>Floor stop Individually applicable for all options (glass or timber elements)</p>	<p>36.851</p>
	<p>Comfort LSG set Accessory set for use with LSG for one pair of clamp carrier</p>	<p>36.468</p>
	<p>MUTO Integrated locking device Battery for Comfort L, Premium XL, Premium Self-Closing and Premium Telescopic (not suitable as a security barrier) Consisting of: 1 receiver unit 1 mounting bracket for locking 1 locking device 1 stopper XL 4 batteries (Energizer L92 Ultimate Lithium: AAA1,5V) 1 battery carrier</p> <p>Battery for re-ordering</p>	<p>36.859</p> <p>36.886</p>
	<p>MUTO Integrated locking device Battery for Comfort L, Premium XL, Premium Self-Closing and Premium Telescopic (not suitable as a security barrier) Consisting of: 1 receiver unit 1 mounting bracket for locking 1 locking device 1 stopper XL</p> <p>Attention: Not suitable for Synchro version.</p>	<p>38.885</p>
	<p>Comfort Locking device Portable radio remote control</p>	<p>36.848</p>

	Product description	Art. No.
	<p>Comfort Locking device Wall switch incl. radio remote control</p>	<p>36.849</p>
	<p>MUTO Accessory for locking unit for Comfort L, Premium XL and Self-Closing, 1 cable set for an optional use of the status indicator integrated in the locking unit</p>	<p>36.855</p>
	<p>Comfort Status-Indicator set with complete accessory (sensor, cable etc.)</p>	<p>36.840</p>
<p>* to be defined by customer</p>		
	<p>Concealed transmitter BRC-T dormakaba bi-directional flush-mounted radio transmitter BRC-T, battery-operated, for installation in a switch with a deep flush-mounting box</p>	<p>29301003</p>

Space for your notes

Content

RS 120/RS 120 Synchro

118	General information
119	Type illustrations
122	Component parts
123/158	Accessories
172	Safety-related information



**RS 120 /
RS 120 Synchro**

General information



Rugged track

The hollow profiled aluminum track is light yet rugged and resistant to twisting. It can be fixed directly under the ceiling or onto a wall and simply cut to the required size.

Clip-on covers

The covers are made of aluminum, and are easily clipped onto the track. If the track is top fixed, onto the ceiling, the covers are used on both sides; if the track is side fixed, the cover is used on the exposed side only. The covers also can easily be cut to size.

Sidelight profile

A special profile to be hung and screwed into the track is available for the use with fixed sidelights. It ensures that the sidelight glass is mounted with the correct distance to the track.

As a matter of course the sidelight profile can be provided with clip-on covers. Furthermore the free sidelight profile in the passage area can be covered from below by a bottom view protection profile.

Gentle, easy action

The carriers run on large nylon wheels, with needle bearings, giving a quiet and very low friction ride. They are made from high grade, glass fibre reinforced nylon, which is corrosion-resistant and extremely strong.

End stop and holder

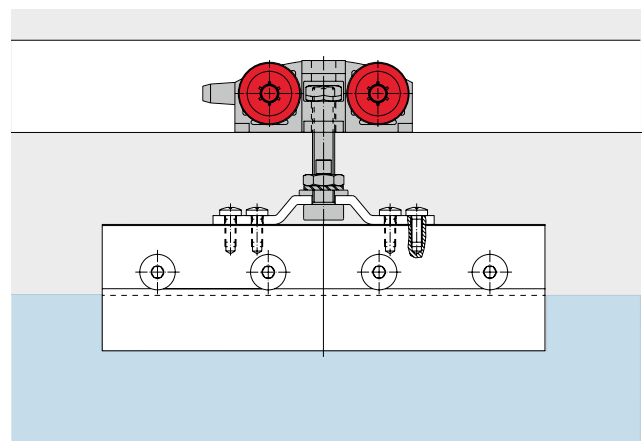
There is a clever device in the track which operates as a cushioned end stop, retaining the door securely in the end positions.

Synchro version

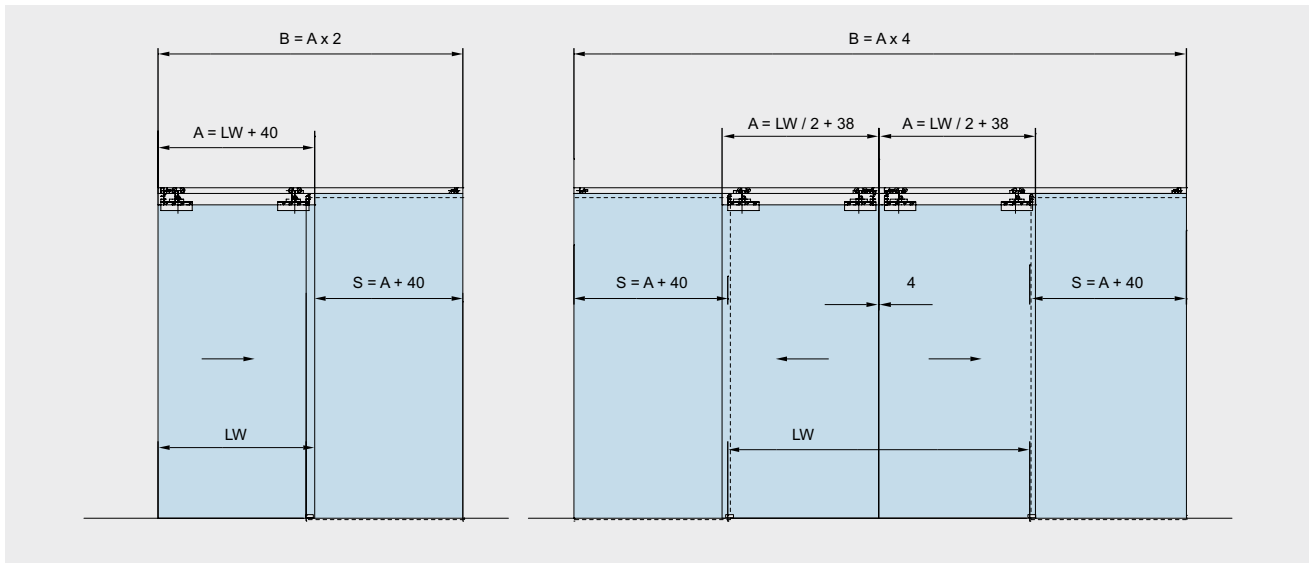
By a special cable and deflection device a synchronously opening system for a two-panel assembly can be realised. As only one of the panels has to be moved, the greatest possible operating convenience for maximum passage width is guaranteed.

No glass preparation

dormakaba has a wide experience in working with toughened glass, and this has led to the development of a clamping system which is all that is required for securing the glass blades in the RS sliding door gear. This has the additional benefit of allowing some door height adjustment, after the door is hung, without dismantling the already fixed glass.

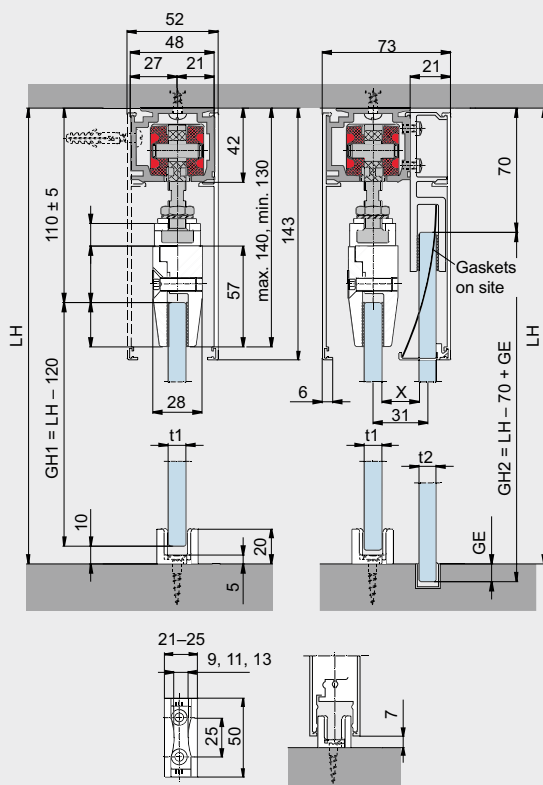


Type illustrations



Fixed at ceiling

Product description



Adjustable floor guide

t1	x
6 mm	23 mm
10 mm	21 mm
12 mm	19 mm

RS 120

For one or more door panels, with or without sidelights;
8, 10 and 12 mm glass thickness.

Maximum weight of door panels

No. of carriers	max weight (kg) per door leaf
2	120
3	150

Torque for screws in the clamping patches

20 Nm

Calculation of glass height

Height of sliding door leaf:

$$GH1 = LH - 120$$

(see drawing left hand)

Height of sidelight:

$$GH2 = LH - 70 \text{ mm} + GE \text{ (see drawing right hand)}$$

Calculation of glass width

Width of sliding door leaf:

$$A = LW + 40 \text{ (min. 500)}$$

Width of sidelight:

$$S = A + 40$$

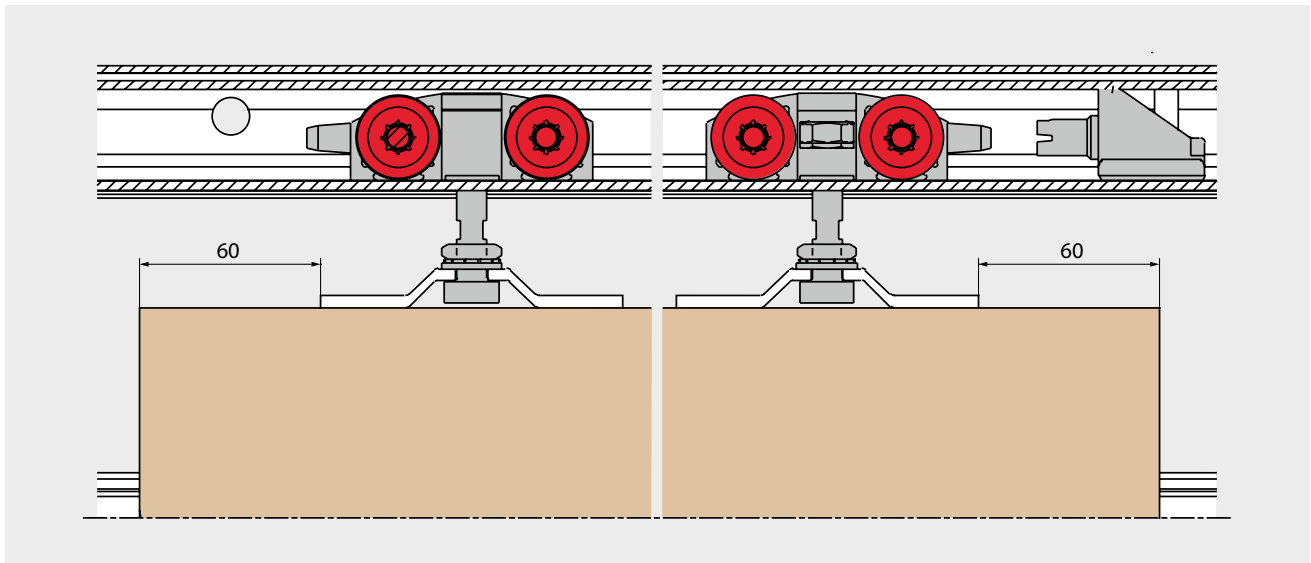
Note:

In order to maximise the protection afforded to the glass, we recommend that spacer 29.420 be fitted to sliding doors that move in opposite directions (see page 123).

A = Width of door leaf
B = Length of track
GH1 = Glass height of sliding door leaf
GH2 = Glass height of sidelight
GE = Glass rebate depth

LH = Clear opening height
LW = Clear opening width
S = Width of sidelight
t1 = Glass thickness sliding panel
t2 = Glass thickness side panel

Sliding door system for timber doors



Sliding door system for timber doors

Product description

No. of carriers

max weight (kg) per door leaf

RS 120

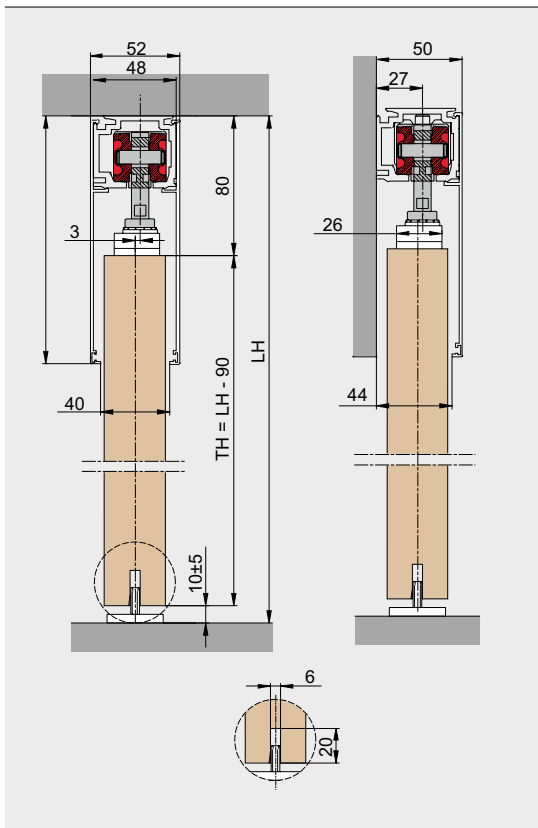
2

120

For one or more door panels.

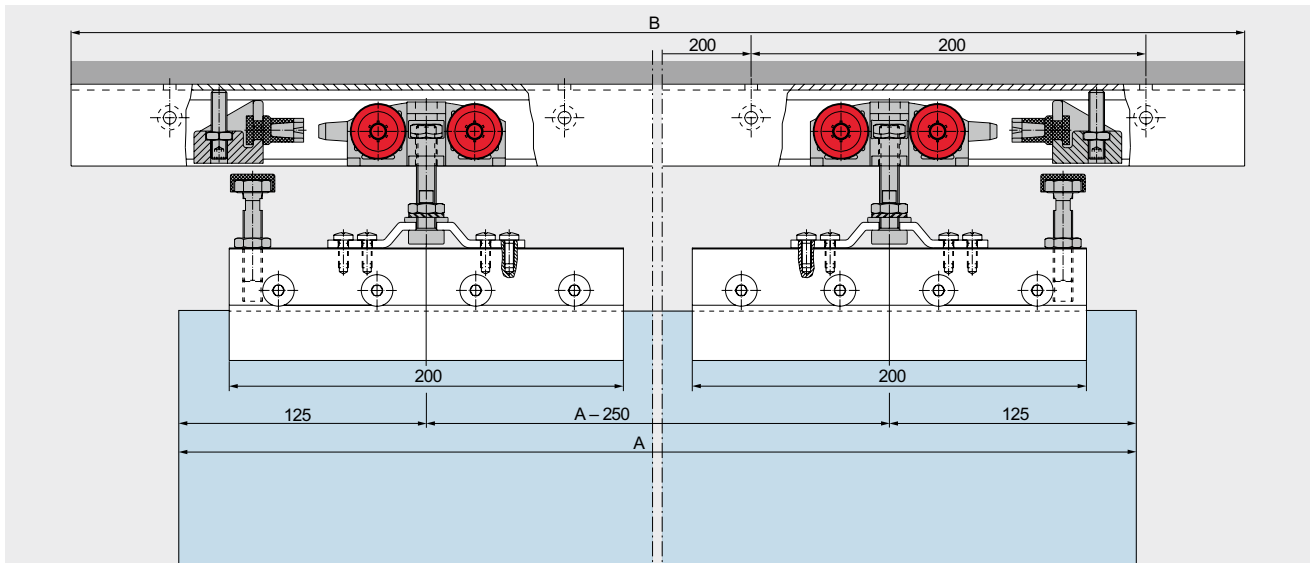
Calculation of door panel height

Height of sliding door leaf:
 $TH = LH - 90$
 (see drawing left hand)

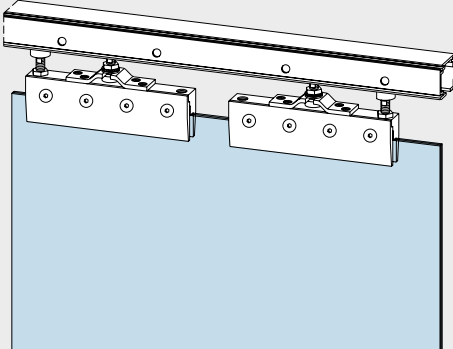
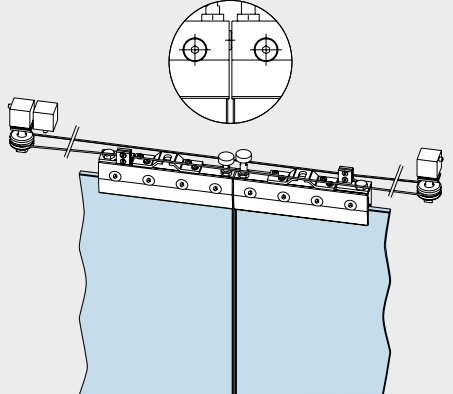


TH = door height
 LH = clear opening height

Type illustrations ceiling installation

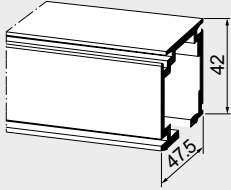
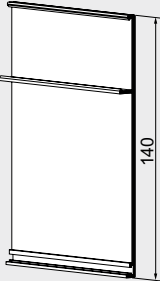
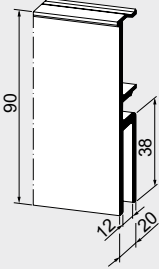
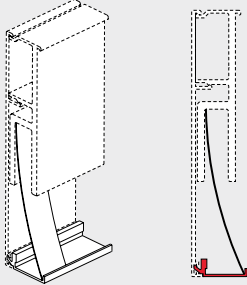


Opening to right side, Closing to left side (DIN Left)

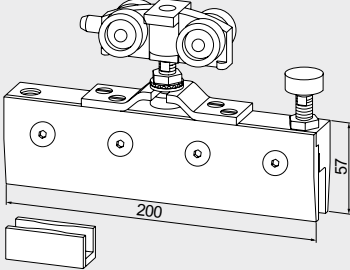
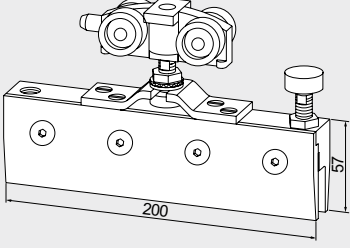
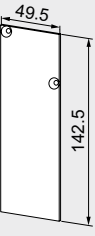
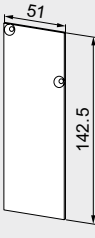
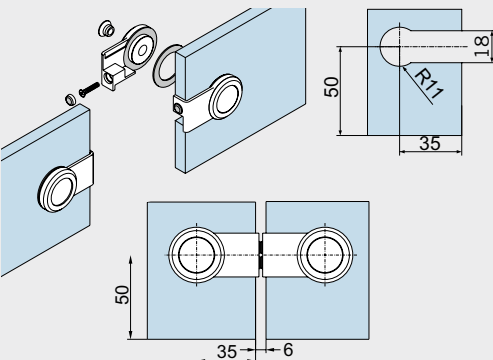
Fixed at ceiling	Product description	Track length B in mm	Weight in kg	Art. No.
	Sliding door gear RS 120 complete, consisting of: 1 track, 2 carriers with clamping patches and support screw for 8 and 10 mm glass thicknesses, 2 end stops and 1 floor guide.	1,900	4.503	07.101
		2,900	5.858	07.102
	Sliding door gear RS 120 Synchro For 2-panel synchronously opening system, max. panel width = 2 x 1,000 mm, max. panel weight = 80 kg per panel, consisting of: 2 x accessory set 07.125 1 x deflection device incl. cable, adjustable			07.150

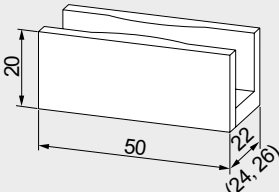
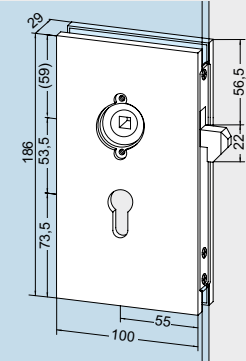
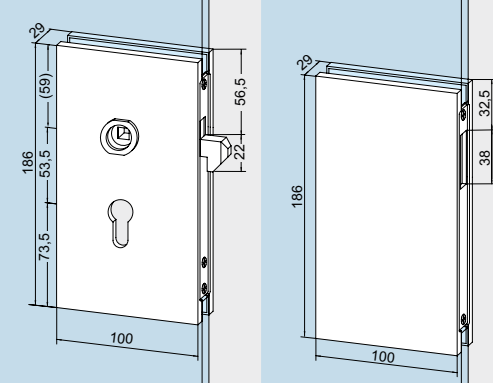
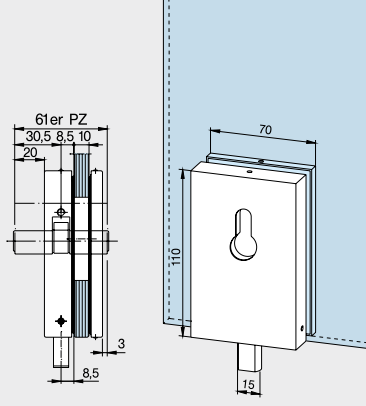
Track, if necessary sidelight profile, cover profile
 + view protection profile have to be ordered separately (see page 122).

Component parts RS 120/RS 120 Syncro

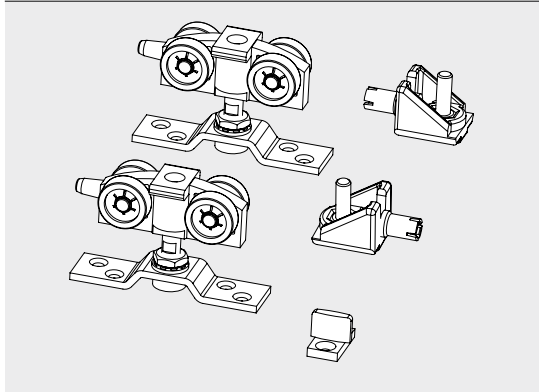
	Product description	Weight in kg/m	Art. No.
	<p>Track profile prepared for top or side fixing</p> <p>fixed length stock length 6,000 mm</p>	1.355	<p>07.131 07.121</p>
	<p>Cover profile for clip attachment with connecting web for view protection profile 07.137/138</p> <p>fixed length stock length 6,000 mm</p>	0.826	<p>07.141 07.140</p>
	<p>Sidelight profile non prepared</p> <p>fixed length stock length 6,000 mm</p>	1.680	<p>07.132 07.122</p>
	<p>Bottom view protection profile (only in combination with sidelight profile 07.132/122 and cover profile 07.141/140)</p> <p>fixed length stock length 6,000 mm</p>	0.164	<p>07.137 07.138</p>

Accessories RS 120/RS 120 Synchro

	Product description	Weight in kg/m	Art. No.
	<p>Set of accessories consisting of: 2 carriers with clamping patches (8 and 10 mm glass thicknesses) and support screw, 2 end stops with safety catch, 1 floor guide</p>		07.125
	<p>Additional carrier with clamping patches (8 and 10 mm glass thicknesses) for max. panel weight 150 kg</p> <p>Pair of intermediate aluminum plates for 12 mm glass thickness (for 2 clamping parts) (not illustrated)</p>		07.123 07.118
	<p>End cap track connected to wall left/right hand, incl. screws</p>	0.037	07.127
	<p>End cap track connected to ceiling left/right hand, incl. screws</p>	0.037	07.129
	<p>Spacer for sliding doors that move in opposite directions</p> <p>Please order our detail sheet 29-044-B for details of glass preparations.</p>		29.420

	Product description	Weight in kg/m	Art. No.
	<p>Floor guide, adjustable</p>	0.024	07.126
	<p>Hook lock for sliding doors, nightlatch function, suitable for aluminum lever handles with round roses (10.307), prepared for Europrofile cylinder, left hand and right hand, with lock keeper plate</p>		05.200
	<p>Suitable for lever handles with follower</p>	1,325	05.202
	<p>Strike box to suit hook lock, (05.200, 05.202), non-handed</p>	1,325	05.201
<p data-bbox="691 1653 1061 1780">Corner lock, for vertical or horizontal fixing, double throw, bolt projection 20 mm, hardened oval bolt, prepared for Europrofile cylinder</p>	0,890	05.201	
<p data-bbox="691 1803 1061 1854">Aluminum Brass</p> <p data-bbox="691 1877 1061 1906">prepared for KABA</p> <p data-bbox="691 1928 1061 1980">Aluminum Brass</p> <p data-bbox="691 2002 1061 2054">Prepared for one-sided Europrofile cylinder, lockable from inside</p> <p data-bbox="691 2076 1061 2128">Aluminum Brass</p>	<p>0,849 1,033</p> <p>0,842 1,020</p> <p>0,858 1,038</p>	<p>05.105 not illustr.</p> <p>05.116 not illustr.</p>	

Component parts for RS 120 for timber applications

Product description**Art. No.**

RS 120 accessories
for timber applications
consisting of:
2 carriers,
2 end stops with safety catch,
1 floor guide

07.135

Content

MANET Compact Sets

128	General information
130	Set type 4.1/4.2
132	Set type 5.1/5.2
134	Set type 6.1/6.2
158	Accessories
172	Safety-related information

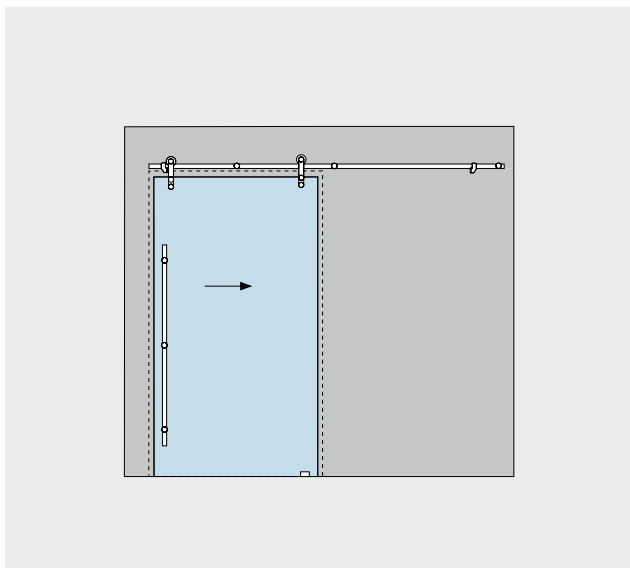
All elements -including the pull handles- are available in an elegant stainless steel finish. All the components are manufactured from the steel grade 1.4305 (approx. AISI 303) for normal interior applications.

Note: The products detailed in this brochure are exclusively intended for glass assemblies that do not require separate building regulations approval.



MANET Compact Sets

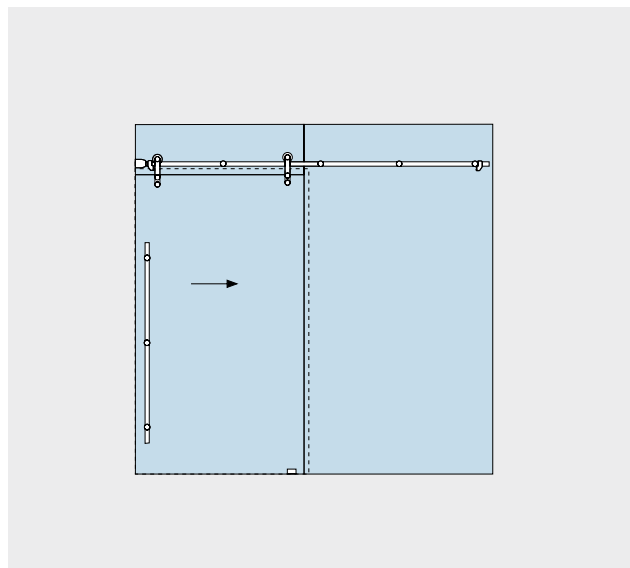
MANET Compact Sets



Set 4.1/4.2

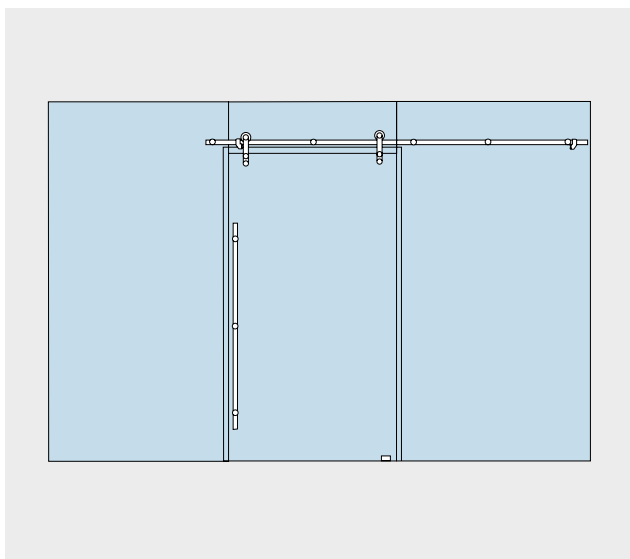
The aesthetic elegance of the MANET Compact concept is also available in the form of standardized sets for simple, fast planning of the more popular system types.

Optional accessories enable the individual sets to be semi-customized.

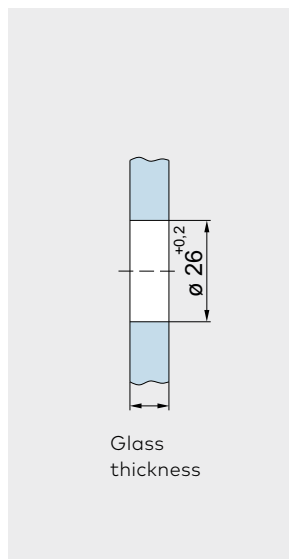


Set 5.1/5.2

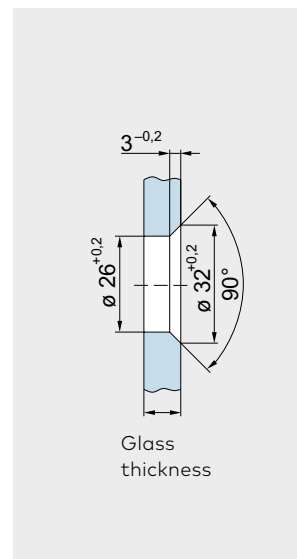
The system components offer numerous adjustment possibilities in order to ensure problem-free installation of whichever door type – sliding or swing, single action or double action – is required. Wall abutment profiles may need to be provided (by others) for fixing over-panels and sidelights. see dormakaba technical brochure Fittings for Toughened Glass Assemblies)



Set 6.1/6.2



Cylindrical bore for clamping disc single-point fixings

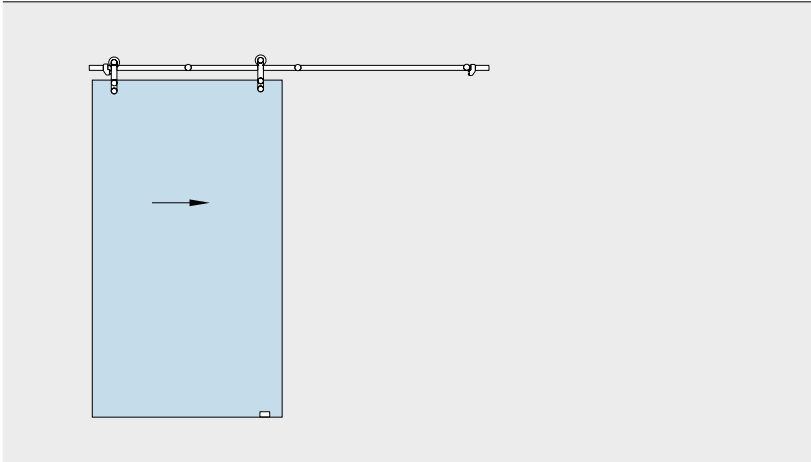


Countersunk bore for countersunk disc single-point fixings



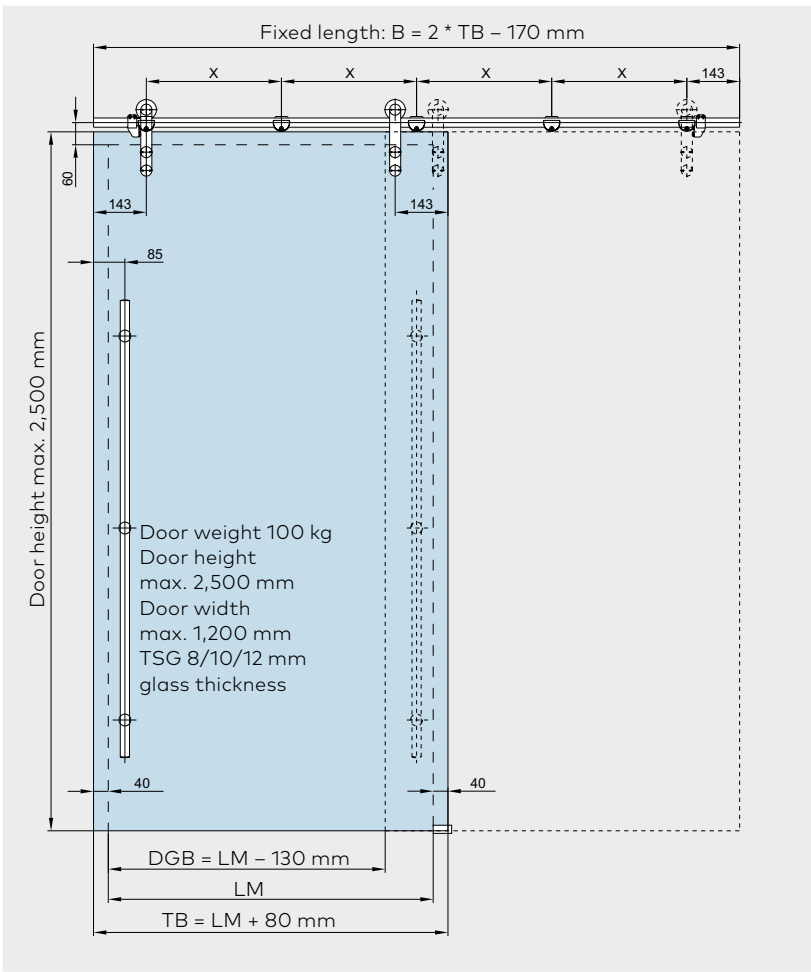
Set 4.1/4.2

Sliding door MANET Compact for installation at wall, for 8 – 12 mm glass



Set 4.1
with single-point fixings countersunk

Set 4.2
with clamping disc single-point fixings



LM = Daylight opening
TB = Door width
DGB = Entry width

B = Tubular track length
X = Distance of single-point fixings $(LL - 286) / 4$

Sliding door MANET COMPACT for installation at wall, for 8 – 12 mm glass

Set 4.1/Set 4.2	Set 4.1 with single-point fixings countersunk Art. No.	Set 4.2 with clamping disc single-point fixings Art. No.
consisting of: 5 Clamp fixings for track / wall 2 Roller carriers CLASSIC incl. single-point fixings for 8 – 12 mm glass 1 Door stop left hand 1 Door stop right hand 1 Floor guide AGILE Installation tools	29.916	29.917
Set as above, but with 16 mm extended clamp fixing	29.925	29.926
Not covered by the set: Tubular track incl. end cups in fixed length*	21.436	21.436
Tubular track, incl. end cups, stock length 3,000 mm	21.527	21.527

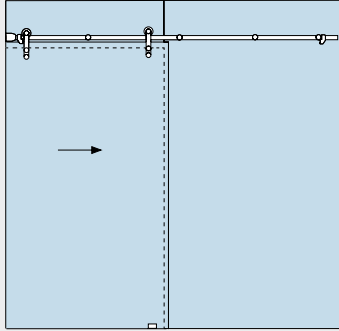
Accessory options for Set 4.1/Set 4.2

Pull handles / Recessed pull grip		
Pull handles	Length 350 mm	29.268
	Length 720 mm	29.271
	Length 1,240 mm	29.274
	Length 1,760 mm	29.277
Pair of pull handles	Length 350 mm	21.267
	Length 720 mm	21.270
	Length 1,240 mm	21.273
	Length 1,760 mm	21.276
Recessed pull grip Ø 60 mm	for 8/10/12 mm glass	21.291
Recessed pull grip with grip hole Ø 60 mm	for 8 mm glass	21.292
	for 10 mm glass	21.293
	for 12 mm glass	21.294
Corner lock		
Corner lock		21.448
Corner lock with rose on one lock side		21.449
Profile cylinder for corner lock 21.448/449		14.206
Eccentric bushing for corner lock 21.448/449		05.194
Further accessories		
Aluminum guide rail with brush seals	stock length 3,000 mm	21.432
	stock length 6,000 mm	21.430
Assembling tool for MANET single-point fixing		21.134

*When ordering please indicate the necessary length. For calculation please see adjoining page.

Set 5.1/5.2

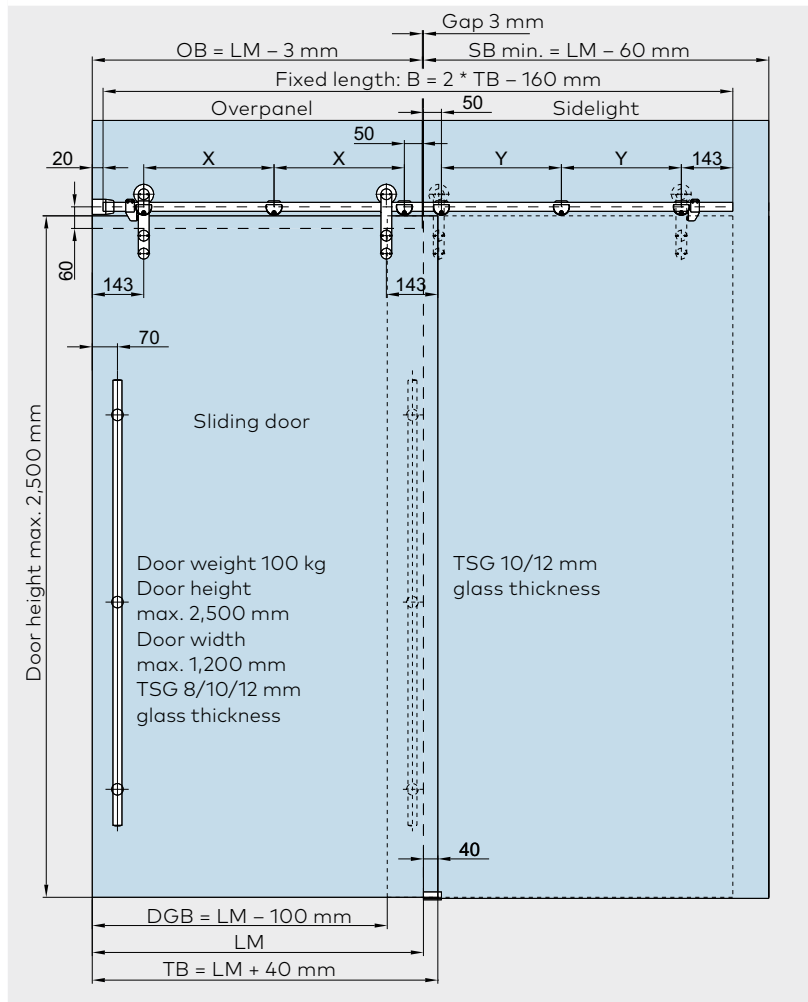
Sliding door MANET COMPACT for installation at glass, one side attached to masonry



for sliding door 8 – 12 mm glass,
fixed element 10 – 12 mm glass

Set 5.1
with countersunk single-point fixings

Set 5.2
with clamping disc single-point fixings



LM = Daylight opening
TB = Door width
DGB = Entry width
SBmin. = Min. sidelight width
B = Tubular track length

X = Center distance between single-point fixings overpanel
(OB - 193) * 1/2
Y = Center distance between single-point fixings sidelight
Y = X - 29
OB = Overpanel width

Sliding door MANET COMPACT for installation at glass, one side attached to masonry

**for sliding door 8 – 12 mm glass,
fixed element 10 – 12 mm glass**
Set 5.1/Set 5.2
**Set 5.1 with
single-point
fixings
countersunk
Art. No.**
**Set 5.2 with
clamping disc
single-point
fixings
Art. No.**

consisting of:	29.918	29.919
6 Clamp fixings fixing at glass		
2 Roller carriers CLASSIC incl. single-point fixings for 8 – 12 mm glass		
1 Wall fixing		
1 Door stop left hand		
1 Door stop right hand		
1 Floor guide AGILE		
Installation tools		
Not covered by the set:		
Tubular track incl. end cups fixed length*		21.436
Tubular track incl. end cups, stock length 3,000 mm		21.527

Accessory options for Set 5.1/Set 5.2
Pull handles / Recessed pull grip

Pull handles	Length 350 mm	29.268	21.240
	Length 720 mm	29.271	21.241
	Length 1,240 mm	29.274	21.242
	Length 1,760 mm	29.277	21.243
Pair of pull handles	Length 350 mm		21.267
	Length 720 mm		21.270
	Length 1,240 mm		21.273
	Length 1,760 mm		21.276
Recessed pull grip Ø 60 mm	for 8/10/12 mm glass		21.291
Recessed pull grip with grip hole Ø 60 mm	for 8 mm glass		21.292
	for 10 mm glass		21.293
	for 12 mm glass		21.294

Corner lock

Corner lock		21.448
Corner lock with rose on one lock side		21.449
Profile cylinder for corner lock 21.448/449		14.206
Eccentric bushing for corner lock 21.448/449		05.194

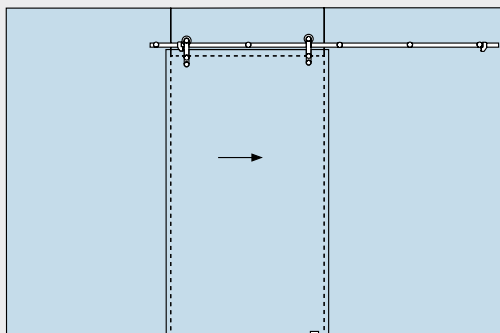
Further accessories

Aluminum guide rail with brush seals	stock length 3,000 mm	21.432	
	stock length 6,000 mm	21.430	
Ceiling connector (bearing function)		29.337	29.338
Assembling tool for MANET single-point fixing			21.134

* When ordering please indicate the necessary length! For calculation please see adjoining page.

Set 6.1/6.2

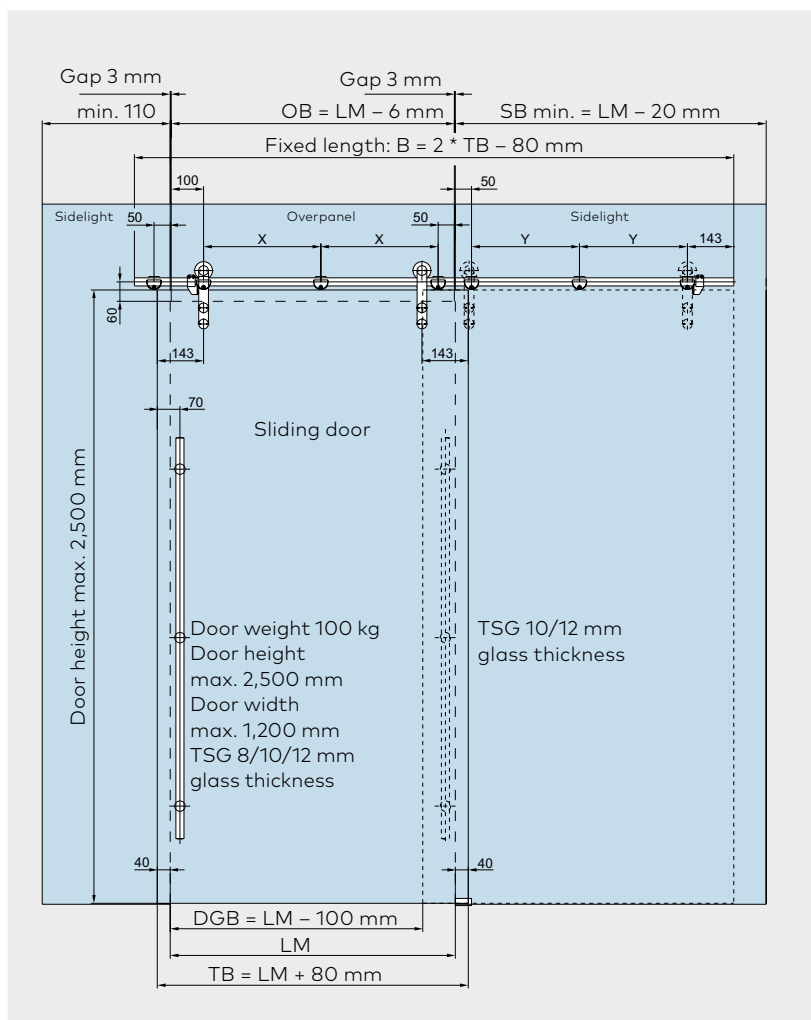
Sliding door MANET COMPACT for installation at glass, sidelights on both sides



for sliding door 8 – 12 mm glass,
fixed element 10 – 12 mm glass

Set 6.1
with countersunk single-point fixings

Set 6.2
with clamping disc single-point fixings



An appropriately dimensioned and torsionally stiff substructure will need to be provided for installation.

- LM = Daylight opening
- TB = Door width
- DGB = Entry width
- OB = Overpanel width
- SBmin. = min. sidelight width

- B = Tubular track length
- X = Center distance between single-point fixings overpanel
(OB - 150) * 1/2
- Y = Center distance between single-point fixings sidelight
Y = X - 29

Sliding door MANET COMPACT for installation at glass, sidelight on both sides

**for sliding door 8 – 12 mm glass,
fixed elements 10 – 12 mm glass**
Set 6.1/Set 6.2
**Set 6.1 with
single-point
fixings
countersunk
Art. No.**
**Set 6.2 with
clamping disc
single-point
fixings
Art. No.**

consisting of:	29.920	29.921
7 Clamp fixings fixing at glass		
2 Roller carriers CLASSIC incl. single-point fixings for 8 – 12 mm glass		
1 Door stop left hand		
1 Door stop right hand		
1 Floor guide AGILE		
Installation tools		
Not covered by the set:		
Tubular track incl. end cups fixed length*		21.436
Tubular track incl. end cups, stock length 3,000 mm		21.527

Accessory options for Set 6.1/Set 6.2
Pull handles / Recessed pull grip

Pull handles	Length 350 mm	29.268	21.240
	Length 720 mm	29.271	21.241
	Length 1,240 mm	29.274	21.242
	Length 1,760 mm	29.277	21.243
Pair of pull handles	Length 350 mm		21.267
	Length 720 mm		21.270
	Length 1,240 mm		21.273
	Length 1,760 mm		21.276
Recessed pull grip Ø 60 mm	for 8/10/12 mm glass		21.291
Recessed pull grip with grip hole Ø 60 mm	for 8 mm glass		21.292
	for 10 mm glass		21.293
	for 12 mm glass		21.294

Corner lock

Corner lock		21.448
Corner lock with rose on one lock side		21.449
Profile cylinder for corner lock 21.448/449		14.206
Eccentric bushing for corner lock 21.448/449		05.194

Further accessories

Aluminum guide rail with brush seals	stock length 3,000 mm	21.432	
	stock length 6,000 mm	21.430	
Ceiling connector (bearing function)		29.337	29.338
Assembling tool for MANET single-point fixing		21.134	

* When ordering please indicate the necessary length! For calculation please see adjoining page.

Content

MANET Concept Sliding door system

138	General information
139	Roller carrier
140	Track rail
144	Glass preparation
142/158	Accessories
195	Safety-related information

All elements -including the pull handles- are available in an elegant stainless steel finish. All the components are manufactured from the steel grade 1.4305 (approx. AISI 303) for normal interior applications.

Note: The products detailed in this brochure are exclusively intended for glass assemblies that do not require separate building regulations approval.



MANET Concept Sliding door system

Sliding door system

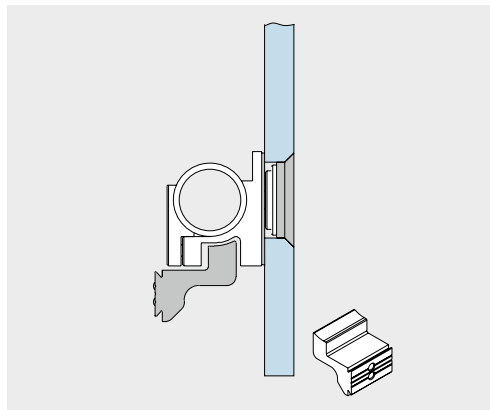
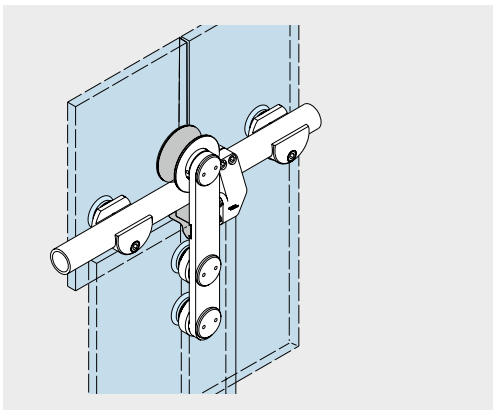
The MANET sliding door system integrates perfectly and elegantly into the room concepts created in this way. Depending on style and taste, you can choose between surface-mounted and glass point fixings (clamping disk or counter-sunk).

In addition to the standard versions incorporated in toughened glass partitions or face-fixed on masonry openings, this hardware system can also be used to construct curved sliding doors, biparting sliding doors and parallel sliding doors. The fittings are designed for a door weight of max. 120 kg, resp. 80 kg with roller to glass. Mechanical stops that can be positioned on the track rail ensure that the door travel distance is effectively limited.

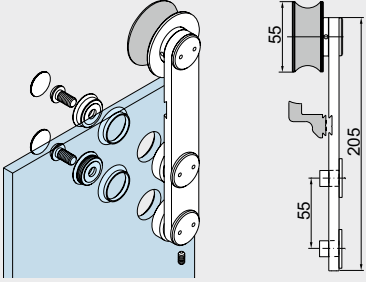
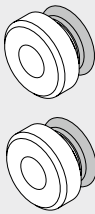
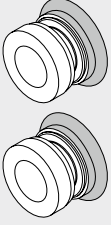


Roller carrier CLASSIC

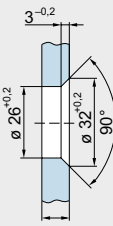
Glass connection with clamp fixing and tubular tracks



Roller carrier

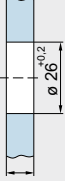
	Product description	Glass thickness	Art. No.
	<p>Roller carrier CLASSIC incl. anti-jump device</p> <p>only lug with roller</p>		<p>29.422</p>
	<p>Single-point fixing for roller carrier, 2 pcs. each</p> <p>countersunk for glass</p> <p>clamping disc for glass</p>	<p>8 – 12 mm</p> <p>8 – 12 mm</p>	<p>29.430</p> <p>29.432</p>
	<p>Single-point fixings for roller carrier at timber, 2 pcs. each</p> <p>countersunk for 20 – 40 mm timber</p> <p>clamping disc for 20 – 40 mm timber</p>		<p>29.510</p> <p>29.520</p>

TSG



Glass thickness

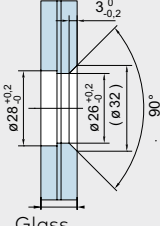
Countersunk bore for counter-sunk single-point fixings



Glass thickness

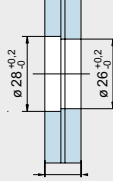
Cylindrical bore for clamping disc single-point fixings

LSG



Glass thickness

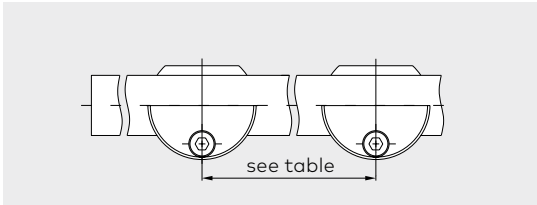
Countersunk bore for counter-sunk single-point fixings



Glass thickness

Cylindrical bore for clamping disc single-point fixings

Tubular tracks and accessories

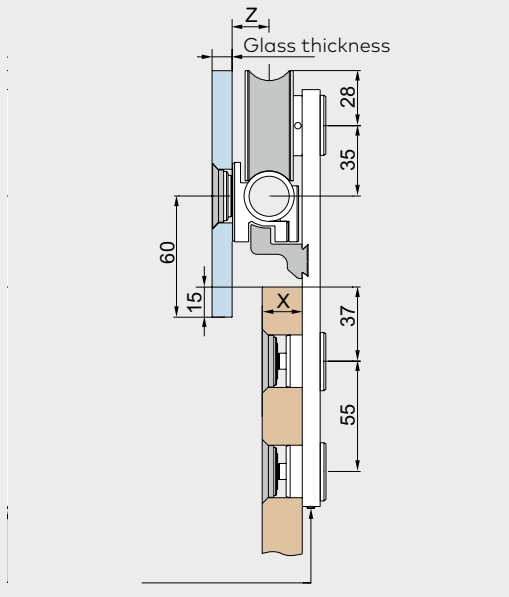


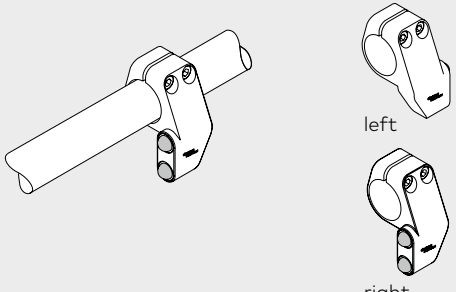
Recommended distance of the track fixing points

Door height in mm	Door width in mm																										
	700			800			900			1,000			1,100			1,200			1,300			1,400					
	Glass thickness mm			Glass thickness mm			Glass thickness mm			Glass thickness mm			Glass thickness mm			Glass thickness mm			Glass thickness mm			Glass thickness mm					
	8	10	12	8	10	12	8	10	12	8	10	12	8	10	12	8	10	12	8	10	12	8	10	12	8	10	12
1,900	350	350	350	400	400	400	450	450	450	500	500	500	550	550	530	600	550	520	590	550	510	580	540	510			
2,000	350	350	350	400	400	400	450	450	450	500	500	500	550	540	510	580	540	510	570	530	500	570	530	500			
2,100	350	350	350	400	400	400	450	450	450	500	500	500	550	530	500	570	530	500	560	520	490	560	520	490			
2,200	350	350	350	400	400	400	450	450	450	500	500	500	550	520	490	550	510	480	550	510	480	540	500	470			
2,300	350	350	350	400	400	400	450	450	450	500	500	500	550	510	480	540	500	470	540	500	470	530	490	460			
2,400	350	350	350	400	400	400	450	450	450	500	500	500	530	500	470	530	490	460	530	490	460	520	480	-			
2,500	350	350	350	400	400	400	450	450	450	500	500	500	520	490	460	520	480	450	520	480	450	510	470	-			

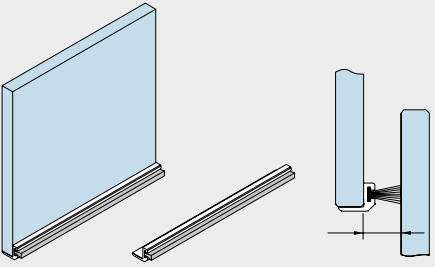
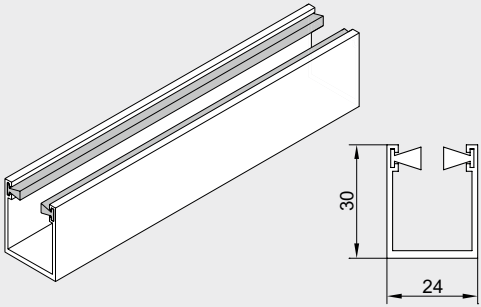
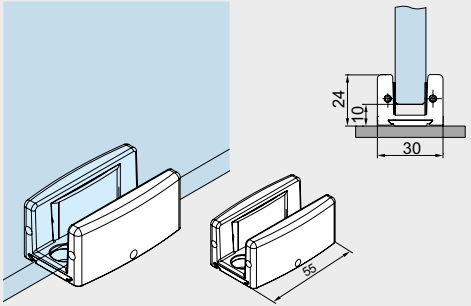
	Product description	Art. No.
	Tubular track incl. end plugs stock length 3,000 mm AISI 316L	21.527
	Fixed length up to 6,000 mm AISI 316L	21.436

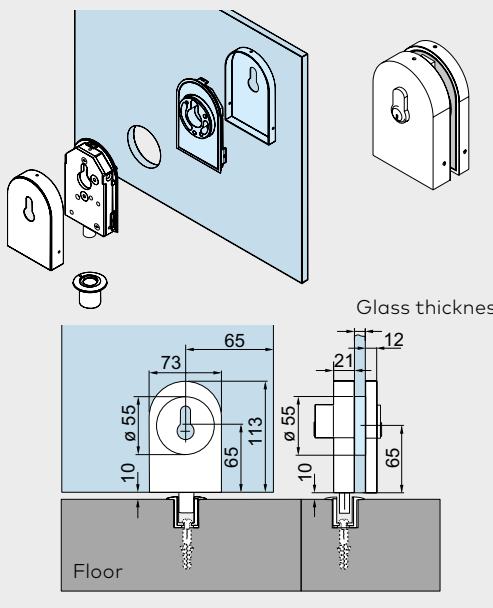
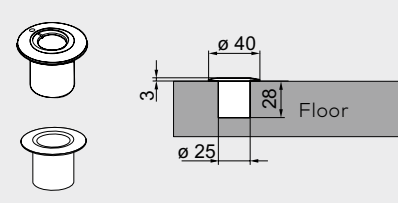
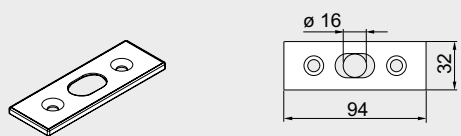
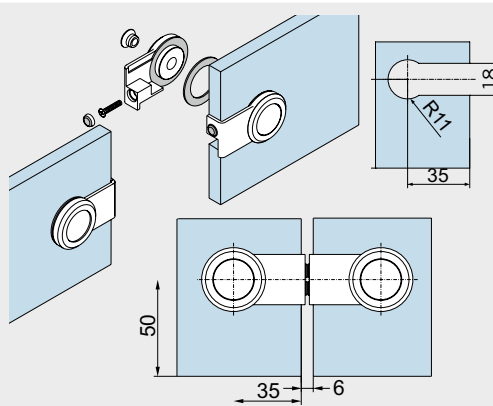
Tubular track fixing at glass	Product description	Art. No.
	Clamp fixing for tubular track at glass single-point fixing countersunk* AISI 316L single-point fixing, clamping disc* AISI 316L 16 mm extended single-point fixing countersunk* single-point fixing, clamping disc* * for 10, 12 and 13.5 mm glass	29.176

Selection guide, tubular track fixing for timber doors	Product description			Art.-Nr.	
 <p data-bbox="244 1227 475 1249">Height adjustment -2.5</p>	X	Z	max. door weight kg	to glass Clamp fixing for track	29.176
	mm	mm	120		
	20-30	18.5			

Door stop	Product description		Art.-Nr.
	Door stop		
	left hand	29.425	
	AISI 316L		
	right hand	29.428	
	AISI 316L		

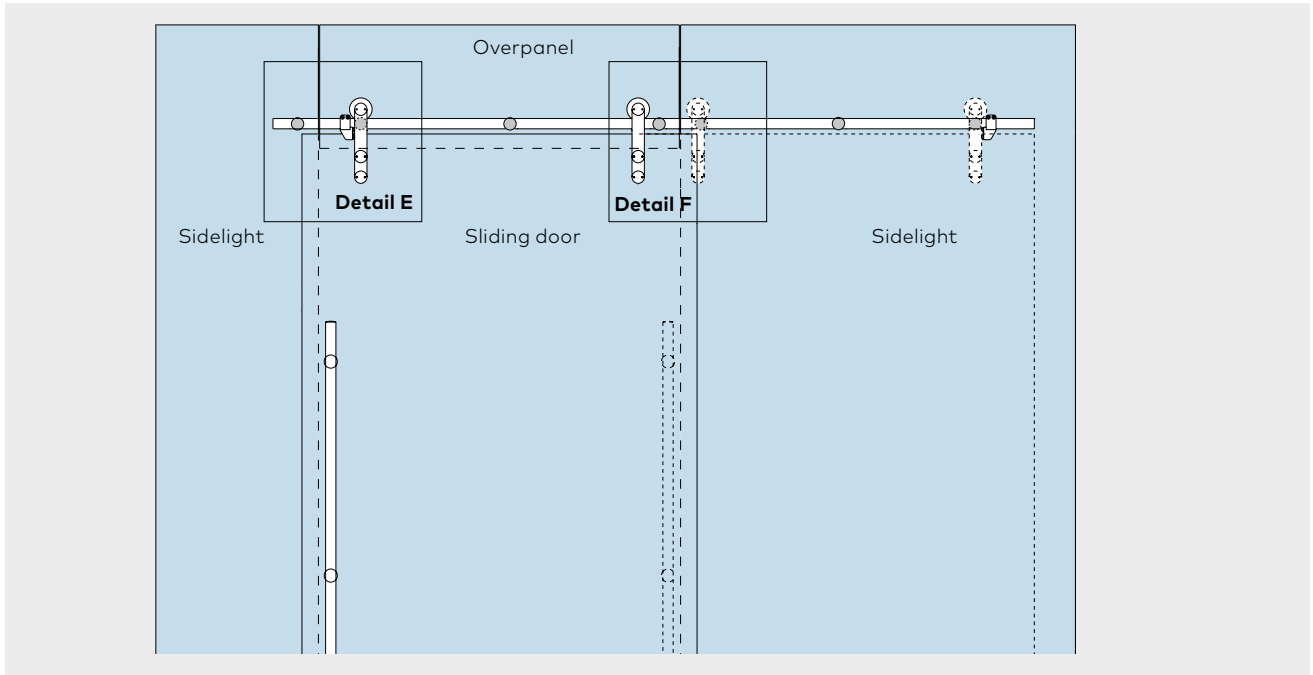
Accessories MANET Concept

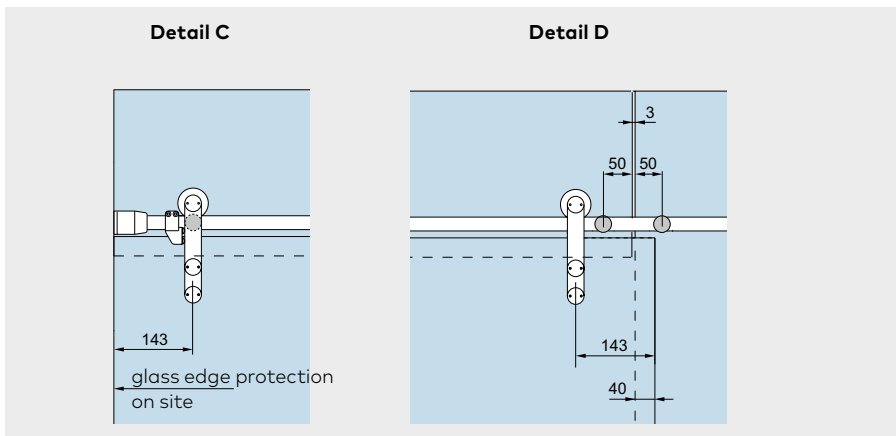
	Product description	Glass thickness	Art. No.
 <p data-bbox="162 689 370 766">15.5 for 8 mm glass 13.5 for 10 mm glass 11.5 for 12 mm glass</p>	<p data-bbox="695 380 954 430">Aluminum brush profile similar satin stainless steel</p> <p data-bbox="695 456 919 506">for gap size 14-18mm stock length 3,000 mm</p> <p data-bbox="695 533 970 560">fixed length up to 6,000 mm</p> <p data-bbox="695 586 928 636">for gap size 10,5-13mm stock length 3,000 mm</p> <p data-bbox="695 663 970 689">fixed length up to 6,000 mm</p>		<p data-bbox="1375 479 1445 506">07.402</p> <p data-bbox="1375 533 1445 560">07.403</p> <p data-bbox="1375 609 1445 636">07.400</p> <p data-bbox="1375 663 1445 689">07.401</p>
	<p data-bbox="695 788 1008 869">MUTO Premium XL 80/150 Subsurface floor guide track rail with brushes</p> <p data-bbox="695 891 919 940">stock length 6,000 mm fixed length</p>		<p data-bbox="1375 869 1445 896">36.561</p> <p data-bbox="1375 900 1445 927">36.562</p>
	<p data-bbox="695 1173 884 1254">Floor guide clamping disc, applicable for glass</p> <p data-bbox="695 1281 983 1308">AL niro anodized (Niro N 700)</p>	<p data-bbox="1193 1227 1311 1254">8/13.5 mm</p>	<p data-bbox="1375 1173 1445 1200">36.105</p>

	Product description	Glass thickness	Art. No.
	<p>Corner lock for glass</p> <p>Corner lock with profile cylinder rose on the inside for glass</p> <p>Dead lock for KABA with rose on the inside for glass</p> <p>Profile cylinder for corner lock</p>	<p>8 – 12 mm</p> <p>8 – 12 mm</p> <p>8 – 12 mm</p>	<p>21.448</p> <p>21.449</p> <p>21.450</p> <p>14.206</p>
	<p>Eccentric bushing for corner lock</p> <p>Bushing, plastic</p>		<p>05.194</p> <p>00.110</p>
	<p>Strike plate</p>		<p>05.190</p>
	<p>Spacer for sliding doors that move in opposite directions</p> <p>Please order our detail sheet 29-044-B for details of glass preparations.</p>		<p>29.420</p>

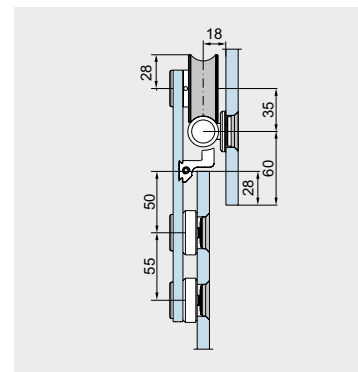
Glass preparation for sliding door system

Sliding door with two sidelights and overpanel

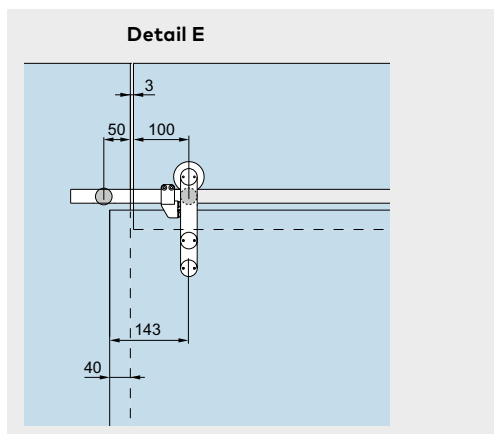




Sliding door with tubular track and clamp fixing

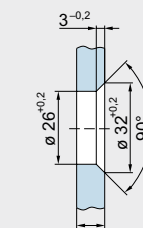


Dimensional data should be regarded exclusively as recommended values. Please remember when designing your system that the positions of the stops and point fixings must not vertically coincide. For spacing/interval recommendations when drilling the track holes, and for requisite dimensions for fixing the track rail, please refer to the table entitled "Recommended distance of the track fixing points".



Countersunk bore for countersunk single-point fixings Cylindrical bore for clamping disc single-point fixings

TSG

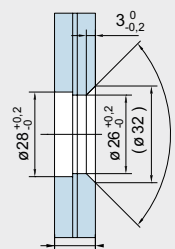


Glass thickness

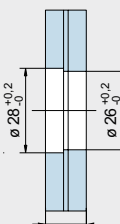


Glass thickness

LSG



Glass thickness



Glass thickness

An appropriately dimensioned and torsionally stiff substructure needs to be provided for installation.

Content

MANET Concept Connection system

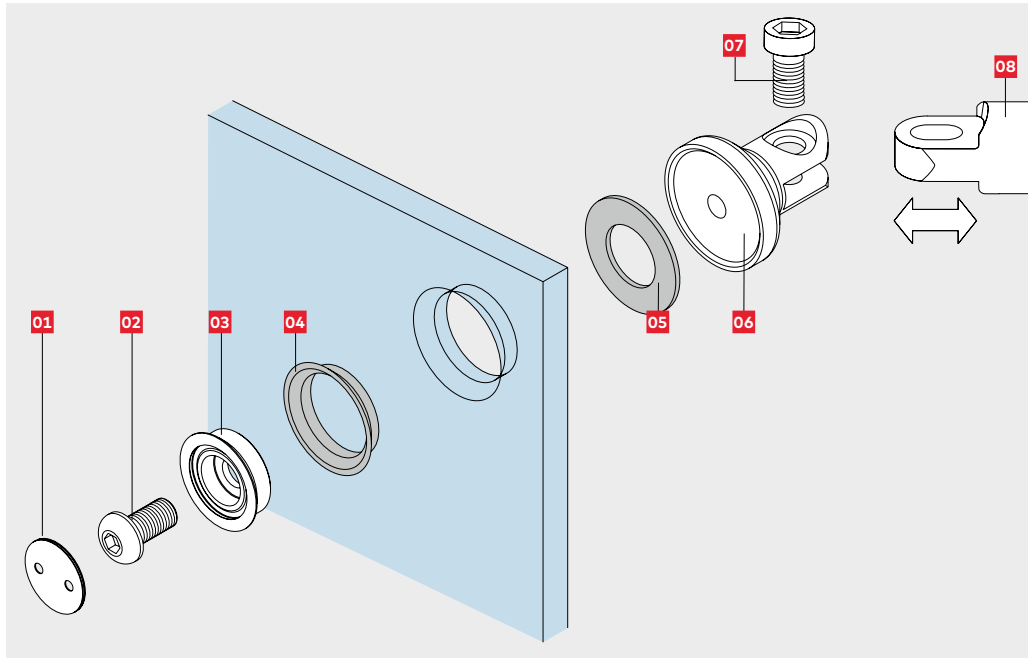
148	Connection system
157	Components
151	Glass preparation
158	Accessories
195	Safety-related information



**MANET Concept
Connection system**

Connection system

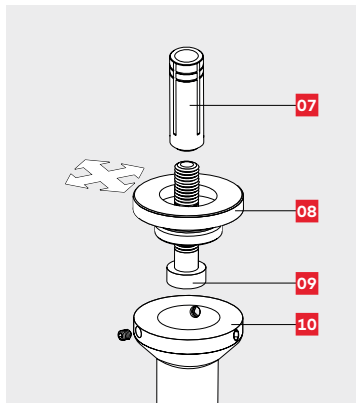
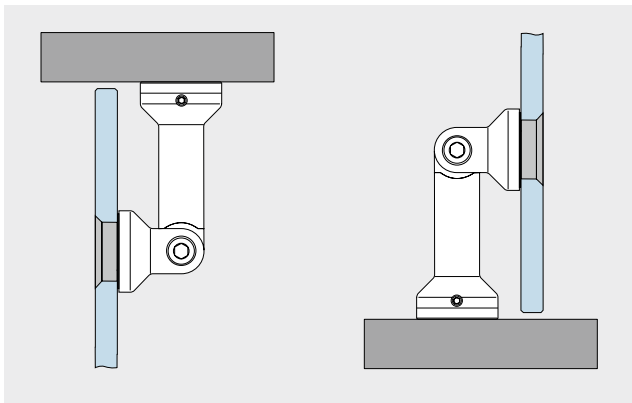
Glass fixing



Components

- 01** Clip-on cover
- 02** Connecting bolt
- 03** Conical collar
- 04** Conical sleeve
- 05** Gasket
- 06** Pivoting clamp
- 07** Connecting bolt
- 08** Connecting rod to suit length

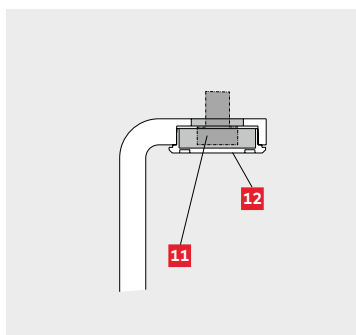
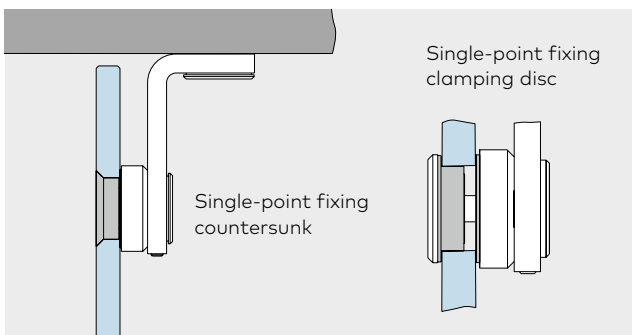
Connection ceiling / floor



Components

- 07** Wallplug on site
- 08** Mounting plate, 2-dimensional adjustable
- 09** Threaded rod M8
- 10** Column

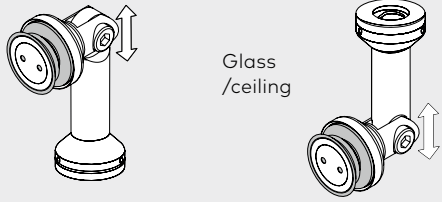
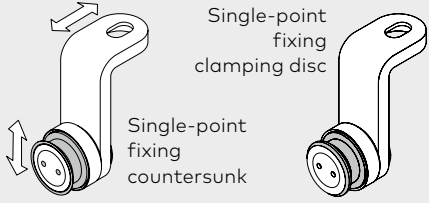
Alternative connection ceiling



Components

- 11** Threaded rod M8 DIN 7984 M10 x..., or oval-head wood screw DIN 7996 M8 x...
- 12** Clip-on cover

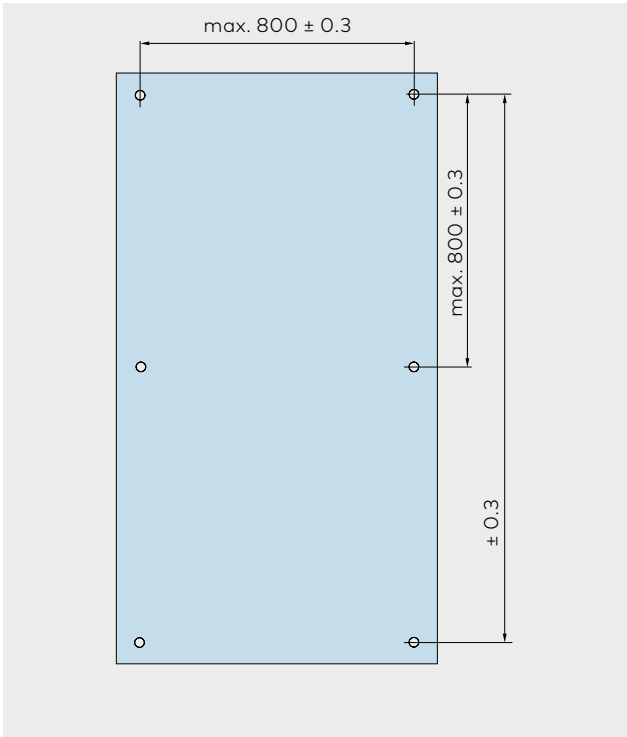
Complete fitting

	Product description	Glass thickness	Art. No.
 <p data-bbox="389 443 464 495">Glass /ceiling</p> <p data-bbox="164 600 280 622">Glass/Floor</p>	<p>Complete fitting Corner connector 90° (only bearing function)</p>	8 – 12 mm	29.145
 <p data-bbox="373 685 512 763">Single-point fixing clamping disc</p> <p data-bbox="304 792 432 871">Single-point fixing countersunk</p> <p data-bbox="164 913 491 936">Height adjustment via grub screw</p>	<p>Complete fitting Ceiling fixing (bearing function)</p> <p data-bbox="691 752 831 853">countersunk AISI 316L clamping disc AISI 316L</p>	8 – 12 mm	29.337 29.338

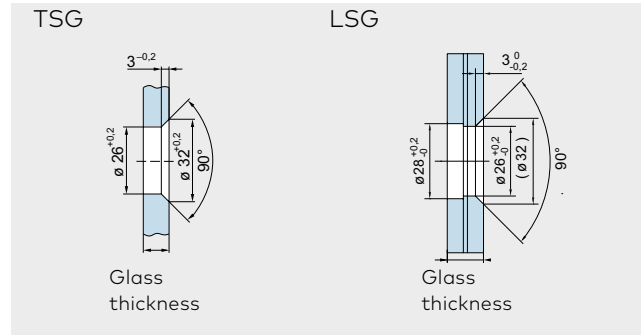
Glass preparation connection system

For TSG and LSG from TSG.

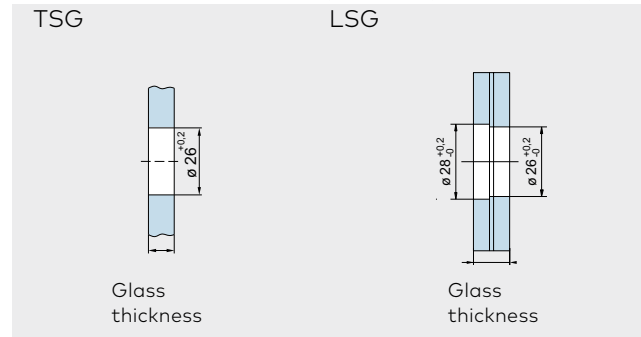
Recommended centers for fixed glazing element



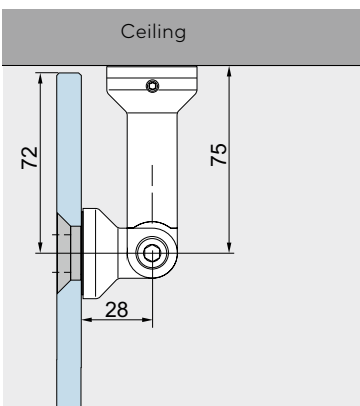
Countersunk bore for countersunk single-point fixings



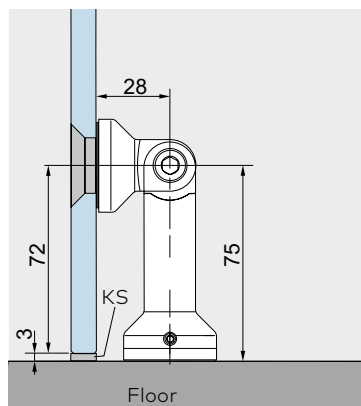
Cylindrical bore for clamping disc single-point fixings



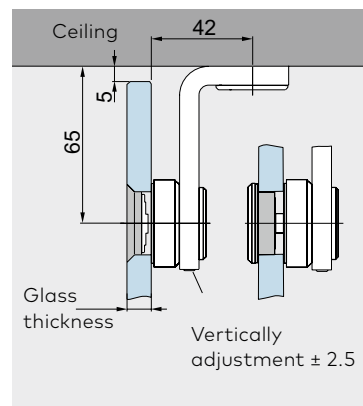
Corner connector glass / ceiling



Corner connector glass / floor



Ceiling fixing (bearing)



Note: Ensure compliance with minimum glass/bore clearances as per glass manufacturer recommendations. Glass preparation with a tolerance of max. ± 0.3 mm is recommended.

Content

Wall connection profile

154	General information
156	Components
158	Accessories
172	Safety-related information



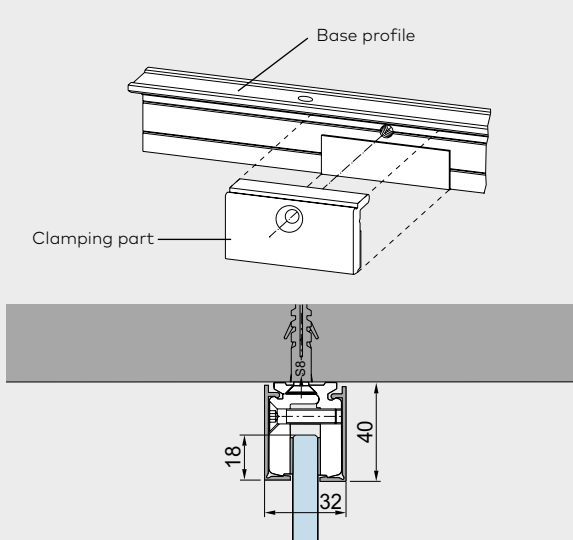
**Wall connection
profile**

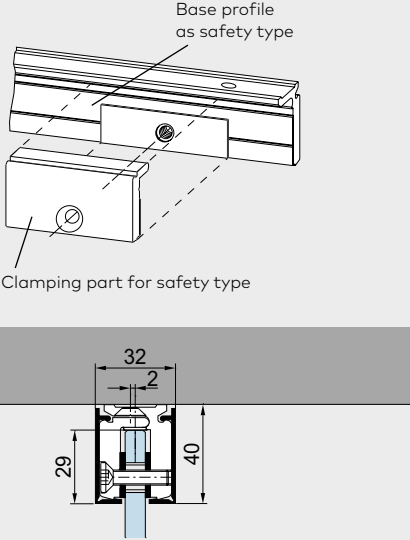
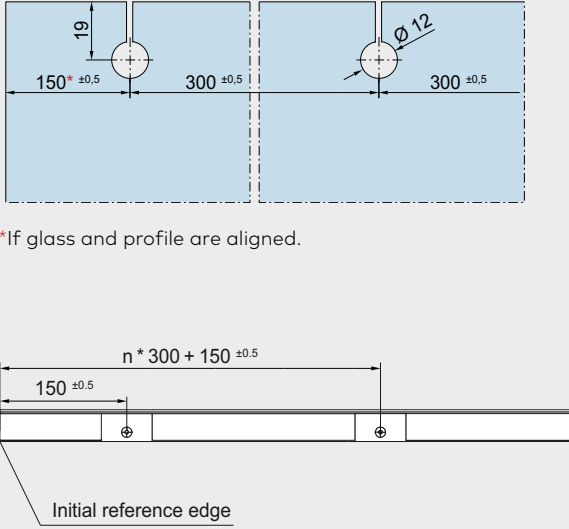
Wall connection profiles

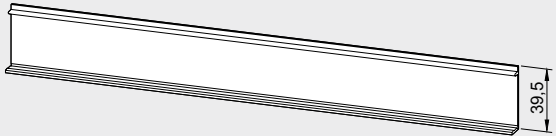
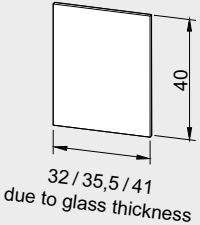
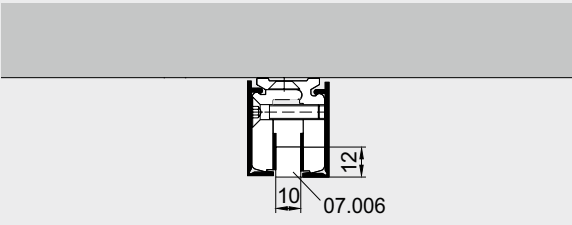
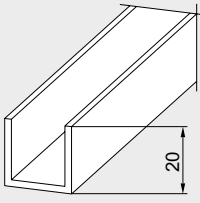
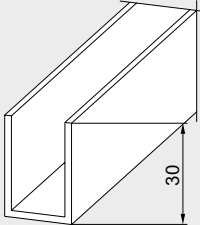
Consisting of: base profile, with bore holes (every 300 mm), incl. clamping parts with screws and gasket strips.

Application:

e. g. all around frame system for toughened glass assemblies, with fittings on sides and ceiling. The safety type prevents free hanging glass elements from falling down, by fixing the clamping fitting through glass holes. 15 kg load for each clamping part, torque for fixing screws 15 Nm (M 6 = Allan key size 4).

	Product description	Glass thickness	Art. No.	
	Base profile 6,000 mm Stock length	8 mm	07.042	
		10 mm	07.001	
		12 mm	07.002	
		12.7 mm	07.045	
		13.5 mm	07.046	
		15 mm	07.047	
		17 mm	07.048	
		19 mm	07.049	
		Fixed length	8 mm	07.050
			10 mm	07.051
			12 mm	07.052
			12.7 mm	07.055
			13.5 mm	07.056
			15 mm	07.057
			17 mm	07.058
			19 mm	07.059
		Clamping part (addition/replacement) 60 mm long, with screws and gasket strips	8 mm	07.043
			10 mm	07.004
			12 mm	07.005
			12.7 mm	07.085
		13.5 mm	07.086	
		15 mm	07.087	
		17 mm	07.088	
		19 mm	07.089	

Safety type	Product description	Glass thickness	Art. No.
	<p>Base profile as safety type 6,000 mm Stock length</p>	<p>8 mm 10 mm</p>	<p>07.060 07.061</p>
	<p>Fixed length</p> <p>Weight in kg/m: Aluminum 1.200</p>	<p>8 mm 10 mm</p>	<p>07.066 07.067</p>
	<p>Glass preparation for Safety type</p>		
	<p>*If glass and profile are aligned.</p>		

	Product description	Glass thickness	Art. No.
	<p>Clip on cover profile brass, stainless steel, satin and stainless steel polished door available</p> <p>Weight in kg/m: Aluminum 0.216 Stainless steel 0.366</p>		<p>07.003 07.053</p>
	<p>End cap</p> <p>Weight in kg/pc: Aluminum 0.003 Brass 0.090 Stainless steel 0.090</p> <p>Aluminum 0.003 Brass 0.010 Stainless steel 0.010</p> <p>Aluminum 0.003 Brass 0.011 Stainless steel 0.012</p>	<p>8 mm and 10 mm</p> <p>12–13.5 mm</p> <p>15–19 mm</p>	<p>07.007</p> <p>07.044</p> <p>07.065</p>
	<p>Filler block, 10 x 12 mm</p> <p>6,000 mm stock length fixed length</p> <p>Weight in kg/m: Aluminum 0.325</p>		<p>07.006 07.054</p>
	<p>U-profile 20 x 20 x 20 x 2 mm</p> <p>6,000 mm stock length fixed length</p> <p>Weight in kg/m: Aluminum 0.304</p>		<p>07.092 07.093</p>
	<p>U-profile 30 x 20 x 30 x 2 mm</p> <p>6,000 mm stock length fixed length</p> <p>Weight in kg/m: Aluminum 0,304</p>		<p>07.097 07.096</p>

Space for your notes

Content

Accessories

- 160 **General information**
- 161 **Handle bars, door knobs,
recessed pull grips and brush seals**
- 170 **Assembling aid**
- 172 **Safety-related information**



Accessories

Pull handles, door knobs and recessed pull grip

The pull handle/knob system is designed for glass of 8, 10 and 12 mm thickness.

The pull handles can be fixed to both sliding and pivoting (swing) doors on one face using the appropriate connectors or on both faces by through-bolting (back-to-back arrangement).

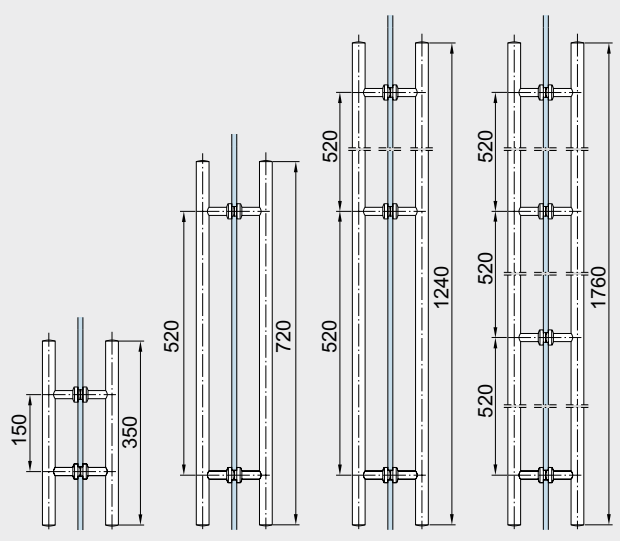
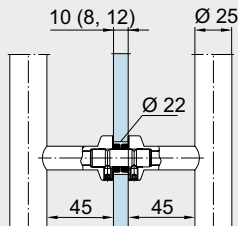
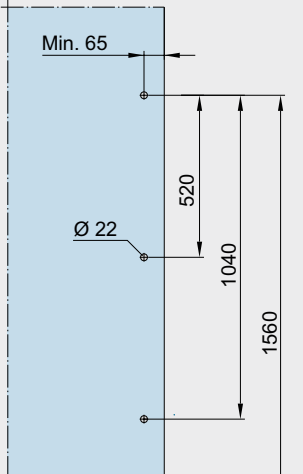
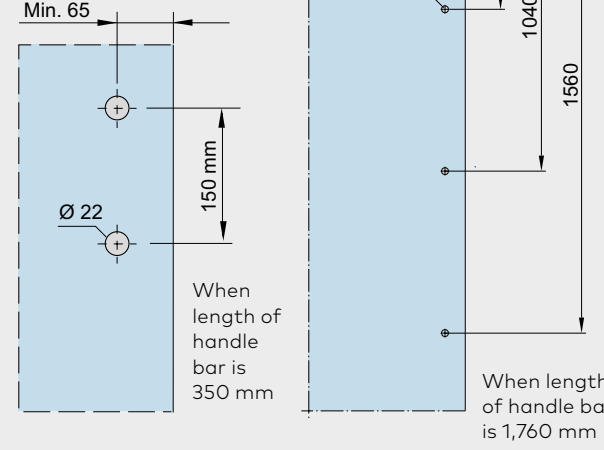
Due to a flat structure recessed pull grips are also suitable for sliding doors.

The single-point fixings and through bolts are included as standard equipment in the scope of supply.

The pull handles can be fitted horizontally, vertically or in a handrail arrangement.


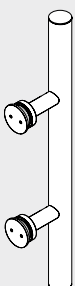
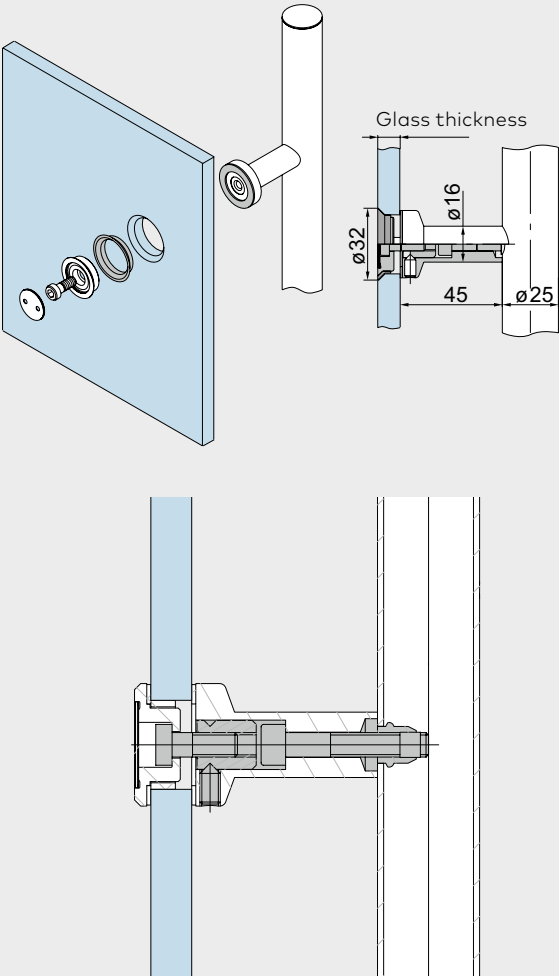
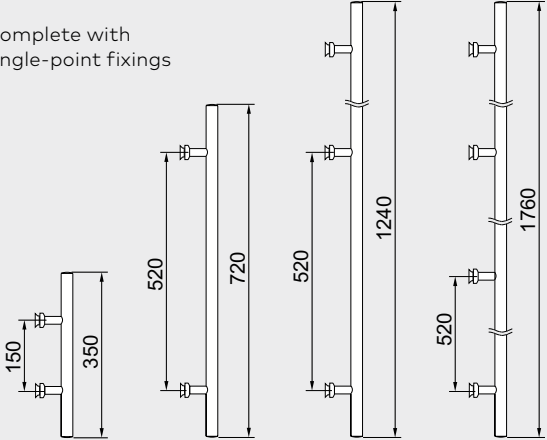
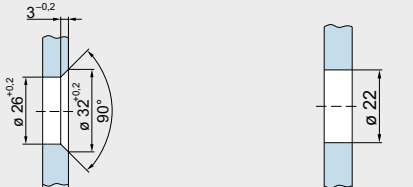
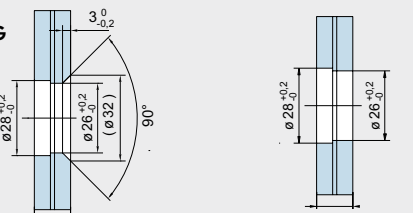


Handle bars

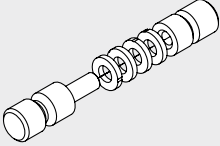
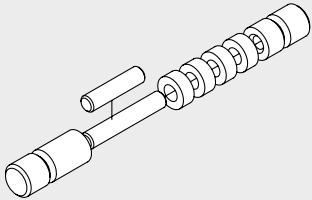
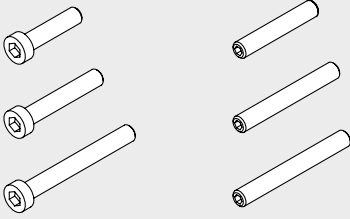
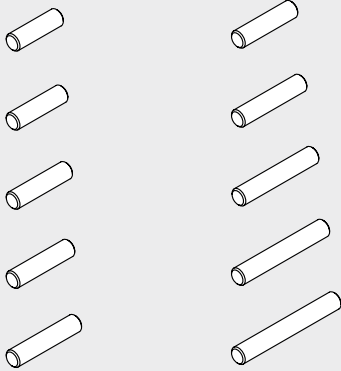
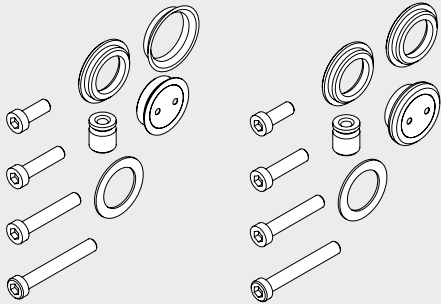
	Product description	Glass thickness	Art. No.
	<p>Pair of handle bars satin stainless steel length 350 mm, 2 fixing points, weight in kg: 1.254 material 1.4305 do., material 1.4404</p>	8/10/12 mm	<p>21.267* 21.247</p>
	<p>Pair of handle bars aluminum length 350 mm, 2 fixing points, weight in kg: 1.326 aluminum</p>	8/10/12 mm	<p>03.400</p>
	<p>Pair of handle bars satin stainless steel length 720 mm, 2 fixing points, weight in kg: 1.947 material 1.4305 do., material 1.4404</p>	8/10/12 mm	<p>21.270* 21.250</p>
 <p>When length of handle bar is 350 mm</p> <p>When length of handle bar is 1,760 mm</p>	<p>Pair of handle bars aluminum length 720 mm, 2 fixing points, weight in kg: 2.423 aluminum</p>	8/10/12 mm	<p>03.402</p>
	<p>Pair of handle bars satin stainless steel length 1,240 mm, 3 fixing points, weight in kg: 3.400 material 1.4305 do., material 1.4404</p>	8/10/12 mm	<p>21.273* 21.253</p>
	<p>Pair of handle bars satin stainless steel length 1,760 mm, 4 fixing points, weight in kg: 5.000 material 1.4305 do., material 1.4404</p>	8/10/12 mm	<p>21.276* 21.256</p>

* Conversion sets for back to back pull handles for timber doors resp. other glass thicknesses see unter "Spacing adjustment for pull handles and door knobs", page 183.

Pull handles single

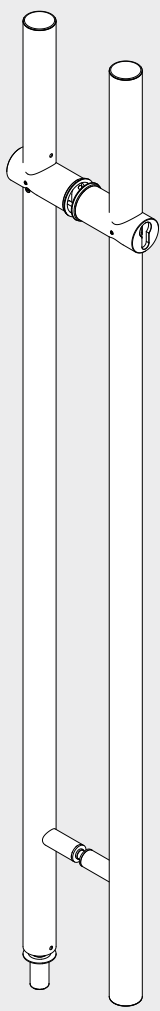
	Product description	Glass thickness	Art. No.
	<p>Pull handles with single-point fixings, countersunk Edelstahl</p> <p>Pull handle 350 mm with 2 fixings, material 1.4305 do., AISI 316L 29.268 Pull handle 720 mm with 2 fixings, material 1.4305 do., AISI 316L 29.269 Pull handle 1,240 mm with 3 fixings, material 1.4305 do., AISI 316L 29.271 Pull handle 1,760 mm with 4 fixings, material 1.4305 do., AISI 316L 29.272 Pull handle 1,240 mm with 3 fixings, material 1.4305 do., AISI 316L 29.274 Pull handle 1,760 mm with 4 fixings, material 1.4305 do., AISI 316L 29.275 Pull handle 1,760 mm with 4 fixings, material 1.4305 do., AISI 316L 29.277 Pull handle 1,760 mm with 4 fixings, material 1.4305 do., AISI 316L 29.278</p>	<p>8/10/12 mm</p>	
	<p>Pull handles with single-point fixings, clamping disc</p> <p>Pull handle 350 mm with 2 fixings, material 1.4305 do., AISI 316L 21.240 Pull handle 720 mm with 2 fixings, material 1.4305 do., AISI 316L 21.241 Pull handle 1,240 mm with 3 fixings, material 1.4305 do., AISI 316L 21.281 Pull handle 1,240 mm with 3 fixings, material 1.4305 do., AISI 316L 21.242 Pull handle 1,760 mm with 4 fixings, material 1.4305 do., AISI 316L 21.243 Pull handle 1,760 mm with 4 fixings, material 1.4305 do., AISI 316L 21.283</p>	<p>8/10/12 mm</p>	
	<p>Complete with single-point fixings</p> 	<p>TSG</p>  <p>Glass thickness</p> <p>LSG from TSG</p>  <p>Glass thickness</p> <p>Glass thickness</p> <p>Glass thickness</p> <p>Countersunk bore on pull handle and door knob, one side fixing</p> <p>Cylindrical bore on pair of pull handles and door knobs, back-to-back</p>	

Spacing adjustment for pull handles and door knobs

	Product description	Door thickness	Art. No.
 <p>Distance washer 2 mm</p>	<p>Conversion set 1 for glass doors, pair of pull handles / knob back-to-back</p> <p>without distance washer with 1 distance washer with 2 distance washers with 3 distance washers with 4 distance washers</p>	<p>13.5 – 21.5 mm</p> <p>13.5 mm 15 mm 17.5 mm 19 mm 21.5 mm</p>	21.285
 <p>Distance washer 5 mm</p>	<p>Conversion set 2 for timber doors, pair of pull handles / knob back-to-back</p> <p>without distance washer with 1 distance washer with 2 distance washers with 3 distance washers with 4 distance washers</p>	<p>20 – 40 mm</p> <p>20 mm 25 mm 30 mm 35 mm 40 mm</p>	21.286
 <p>Set 3 Set 4</p>	<p>Conversion set 3 for glass / timber doors*, pair of pull handles / knob back-to-back, countersunk 15 - 40 mm glass / timber thickness</p>		21.287
	<p>Conversion set 4 for glass / timber doors*, pair of pull handles / knob back-to-back, clamping disc 15 - 40 mm glass / timber thickness</p>		21.288
 <p>Set 5 Set 6</p>	<p>Conversion set 5 for glass doors*, recessed pull grip 13.5 - 21.5 mm glass thickness</p>		21.295
	<p>Conversion set 6 for timber doors*, recessed pull grip 20 - 40 mm timber thickness</p>		21.296
 <p>Set 7 Set 8</p>	<p>Conversion set 7 for glass / timber doors*, for pull handles fixed on both sides to pull handle fixed on one side, countersunk 8 - 40 mm glass / timber thickness 1 set per pull handle fixing</p>		21.297
	<p>Conversion set 8 for glass / timber doors*, for pull handles fixed on both sides to pull handle fixed on one side, clamping disc 8 - 40 mm glass / timber thickness 1 set per pull handle fixing</p>		21.298

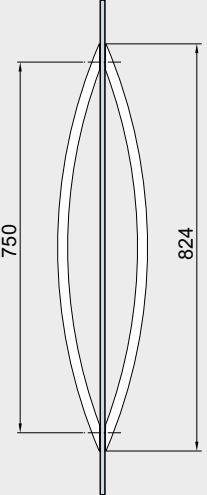
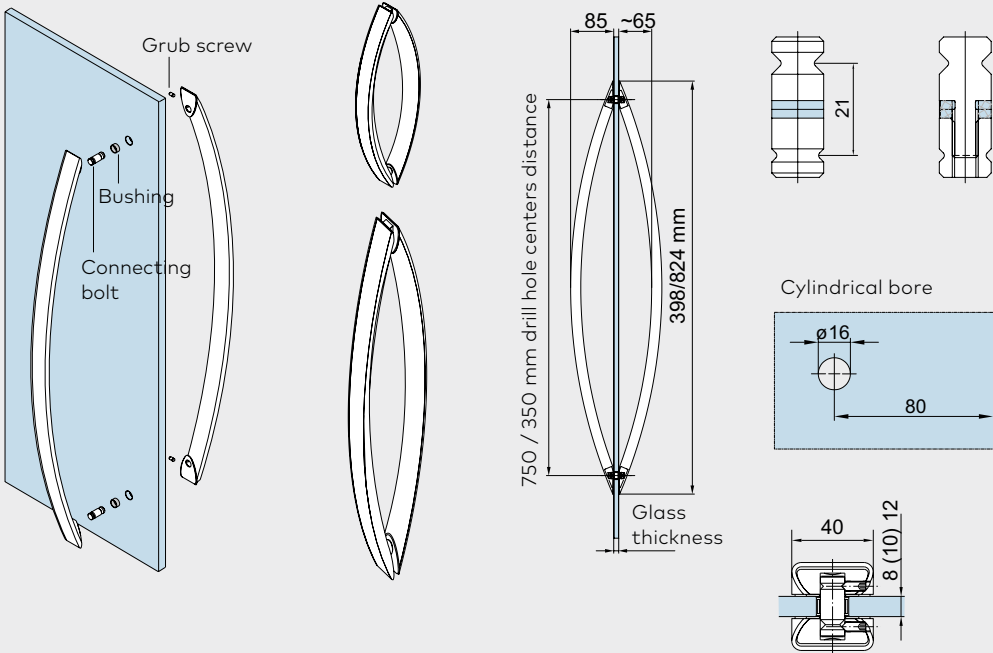
*Not suitable for Arcos pull handles 26.500 / 26.510

Pair of pull handles

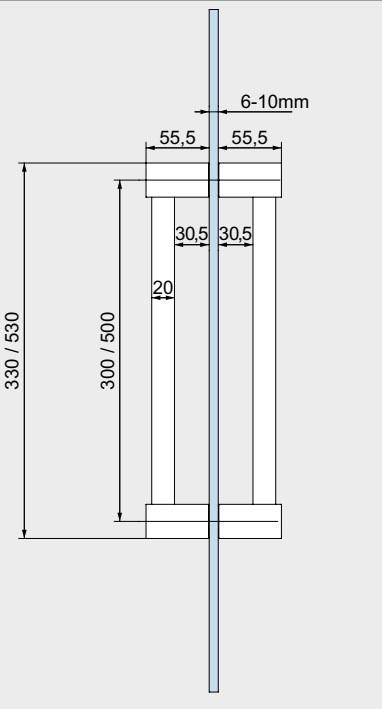
	Product description	Glass thickness	Art. No.
	Pair of stainless steel handlebars, lockable on both sides, prepared for standard PZ, length 1200 mm, incl. floor socket	8 - 17.5 mm	21.580
	Pair of stainless steel handlebars, lockable on one side, prepared for standard PZ, length 1200 mm, incl. floor socket	8 - 17.5 mm	21.581

Further information, e.g. the required profile cylinder length, can be found in our detail on sheets 29-115 to 29-116.

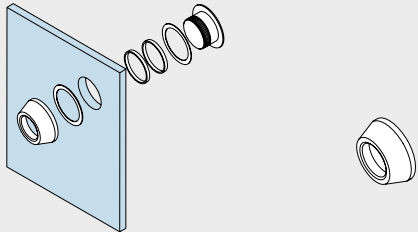
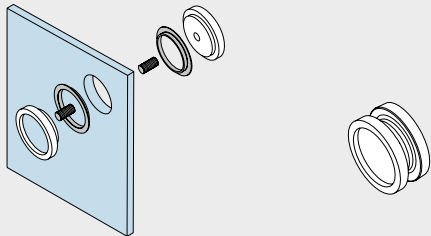
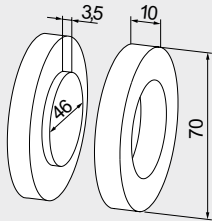
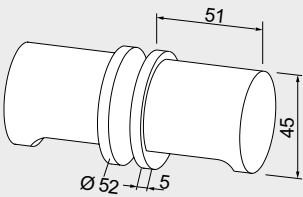
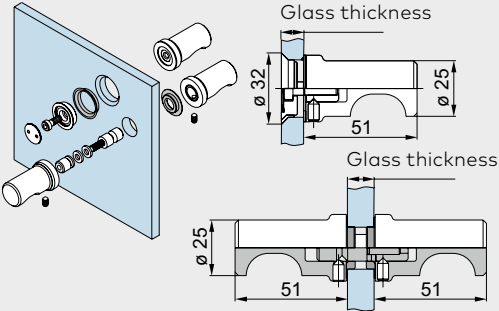
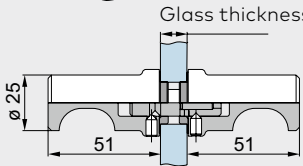
Arcos pull handle

	Product description	Glass thickness	Art. No.
	<p>Arcos pair of pull handle incl. connecting bolt Aluminium, stainless steel look</p> <p>Pull handle 350 mm with 2 fixings Pull handle 750 mm with 2 fixings</p>	<p>8/10/12 mm</p>	<p>26.500 26.510</p>
			

Handle bars

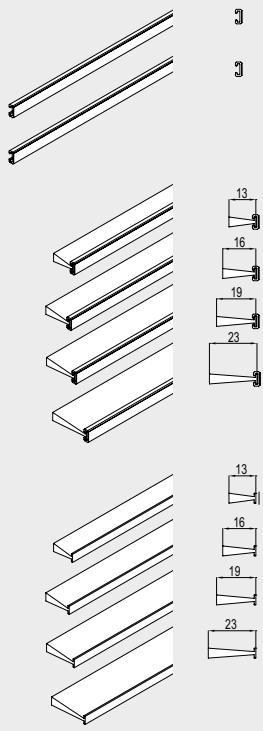
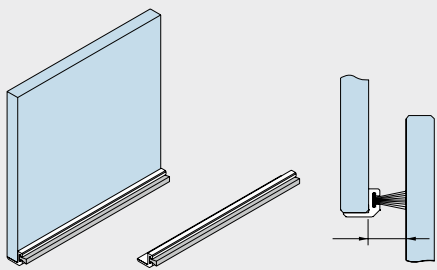
Product description	Art. No.
 <p data-bbox="694 371 938 450">Pull handle "Quadrat" Glas thickness 6 - 10 mm with 2 fixings Ø 12 mm</p> <p data-bbox="694 479 847 528">Length 300 mm Length 500 mm</p>	75.084 75.085

Recessed pull grips and door knobs



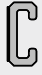

	Product description	Glass thickness	Art. No.
 <p>Ø 38 mm Glass bore</p>	<p>Recessed pull grip Ø 50 mm</p>	8/10/12 mm	21.290
 <p>Ø 50 mm Glass bore</p>	<p>Recessed pull grip Ø 60 mm</p> <p>Recessed pull grip with grip hole Ø 60 mm</p>	<p>8/10/12 mm</p> <p>8 mm 10 mm 12 mm</p>	<p>21.291</p> <p>21.292 21.293 21.294</p>
 <p>Ø 50 mm Glass bore</p>	<p>Recessed pull grip aluminum to be glued onto the glass Weight in kg: 0.072</p>		07.200
 <p>Ø 20 mm Glass bore</p>	<p>Door knob, aluminum Weight in kg: 0.400</p>		07.201
 <p>Single-point fixing clamping disc (Ø 22 mm)</p> <p>(Glass preparation please see under "pull handles single", page 182)</p>	<p>Door knob one side fixing</p> <p>Door knob with single-point fixing, countersunk Door knob with single-point fixings, clamping disc</p>	8/10/12 mm	<p>21.422</p> <p>21.426</p>
	<p>Door knob back-to-back</p>	8/10/12 mm	21.423


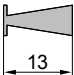
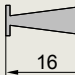
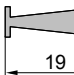
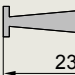
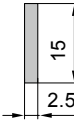
Note: To ensure better load transmission, please use a pull handle in conjunction with the DORMOTION damping unit.

Brush seals

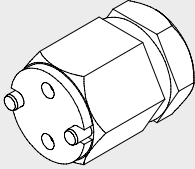
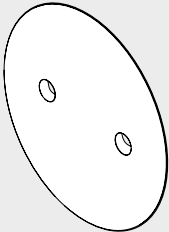
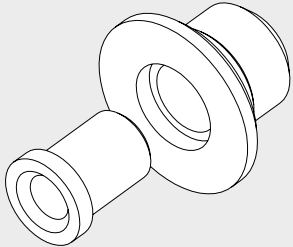
Brush seals for sliding doors	Product description	Art. No.
	<p>MUTO reception profile for vertical brush seals stock length: 4,500 mm</p>	36.826
	<p>fixed length up to 4,500 mm</p>	36.827
	<p>MUTO reception profile with vertical brush seals fixed length up to 4,500 mm</p>	
	<p>for 13-16 mm gap</p>	36.828
	<p>for 16-19 mm gap</p>	36.829
	<p>for 19-23 mm gap</p>	36.830
	<p>for 23-77 mm gap</p>	36.831
	<p>MUTO vertical brush seal fixed length up to 4,500 mm</p>	
	<p>for 13-16 mm gap</p>	36.860
	<p>for 16-19 mm gap</p>	36.861
<p>for 19-23 mm gap</p>	36.862	
<p>for 23-77 mm gap</p>	36.863	
	<p>MUTO vertical brush seals</p> <p>for 13-16 mm gap (300 m roll)</p> <p>for 16-19 mm gap (250 m roll)</p> <p>for 19-23 mm gap (250 m roll)</p> <p>for 23-77 mm gap (150 m roll)</p>	<p>36.864 not illustr.</p> <p>36.865 not illustr.</p> <p>36.866 not illustr.</p> <p>36.867 not illustr.</p>
 <p>15.5 for 8 mm glass 13.5 for 10 mm glass 11.5 for 12 mm glass</p>	<p>Aluminum brush profile similar satin stainless steel</p> <p>for gap size 14-18mm stock length 3,000 mm</p>	07.402
	<p>fixed length up to 6,000 mm</p>	07.403
	<p>for gap size 10,5-13mm stock length 3,000 mm</p>	07.400
	<p>fixed length up to 6,000 mm</p>	07.401

Profile overview - seal system

Product description		Product description	
	Tubular seal (Art. No. 15.508, for doors that close against the wall, and for double-panel/biparting systems)		Brush
	Brush reception profile		Flat alu section (by others)

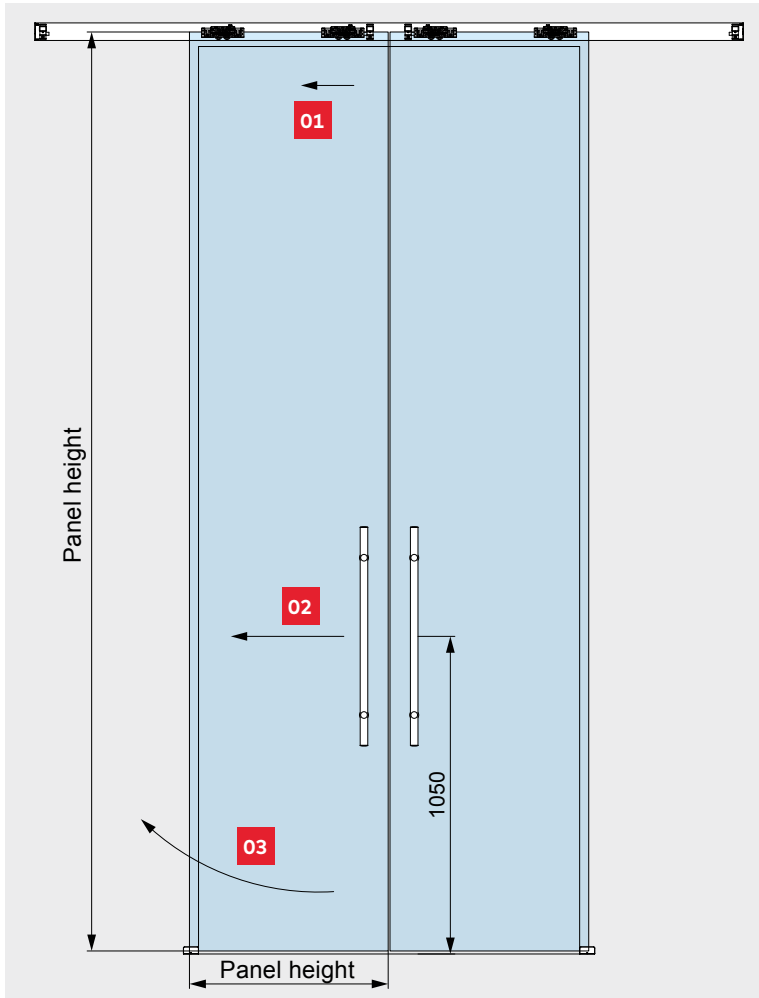
Application of profiles						
MUTO Comfort M 60						
at wall	●	●				
at ceiling	●	●				
at ceiling with side light	●	●				
MUTO Comfort L 80						
at wall	●	●				●
at ceiling	●		●			
at ceiling with side light	●		●			
at glass	●		●			
MUTO Premium XL 80/150 MUTO Premium Self-Closing 120						
at wall	●		●			●
at ceiling	●			●		
at ceiling with side light	●			●		
at glass	●			●		
MUTO Premium Telescopic 80						
at wall						
glass thickness: 8–10 mm	2X	●			●	●
glass thickness: 10–12 mm	2X	●			●	●
glass thickness: 12–13.5 mm	2X	●		●		●
at ceiling with side light						
glass thickness: 8–10 mm	2X		●		●	
glass thickness: 10–12 mm	2X		●		●	
glass thickness: 12–13.5 mm	2X		●	●		
at glass						
glass thickness: 8–10 mm	2X		●		●	
glass thickness: 10–12 mm	2X		●		●	
glass thickness: 12–13.5 mm	2X		●	●		

Accessories / Assembling aid

	Product description	Art. No.
	Assembling tool for MANET single-point fixing	21.134
	Clip-on cover for single-point fixing with spring, 5 pieces material 1.4305 do.material 1.4404	29.217 29.219
	Drilling jig for MANET single-point fixing serie S32/35	21.137

Tips and tricks

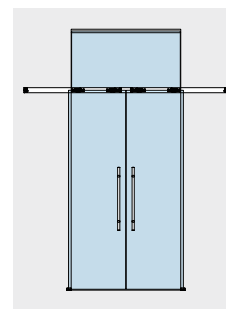
Sliding panel with unfavourable aspect ratio



Excessively high sliding panels in relation to the panel width can lead to unpleasant handling and malfunction due to physical reasons (recommendation of the aspect ratio: between 1:2 and 1:3).

- 01** The door is to be moved by means of a handle.
- 02** Dormotion unit and synchro function brake the panel within the track additionally.
- 03** The door only moves down in the corresponding direction (door rotates)

This problem can be slightly improved by increasing the glass thickness and thus increasing the mass (weight) of the panel.



We recommend in such cases to use the application on glass and to use an overpanel. This reduces the door height and improves the aspect ratio.

Note: The use of clamp fittings on structured glass surfaces (with the exception of satinised glass) or glass with large variations in glass thickness is only permitted with the application of a levelling layer.

Safety-related information

Important safety-related information for the mounting and use of dormakaba glass fittings.

(Follow these instructions in addition to the mounting and operating instructions in order to avoid damage of product and damage to person or property.)

Important: All users have to be informed about relevant points mentioned in these safety-related information and the mounting and operating instructions!

General information

1. dormakaba recommends the use of TSG-H (heat-stored tempered safety glass) according to DIN EN 12150-1.
2. dormakaba glass fittings are not suitable for outdoor installation.
3. dormakaba glass fittings are not suitable for rooms where chemicals (e.g. chlorine) are used, e.g. swimming pools, saunas and brine baths.



4. Sliding panels must not be moved faster than at walking speed and must be stopped by hand before reaching the end position will be.
5. Pivoting panels must not be thrown too hard. If there is a risk of over-turning, this must be prevented by a door stop.

Mounting

1. Only properly qualified and specially trained staff is authorised to mount dormakaba glass fittings.
2. Never use glass with conchoidal fractures and/or damaged edges.
3. Due to crushing hazards – among others in the area of the secondary closing edge – and possible injury caused by breakage of glass during mounting, corresponding protective clothing (especially gloves and protective goggles) is required.
4. Clean clamping area with fat solvent (standard commercial cleaning agent) before mounting the glass fitting.
5. Never use clamping shoes on structured glass surfaces (except on satined glass) or glass of heavily varying thickness unless with a corresponding levelling layer.
6. Never use clamping shoes on self-cleaning coatings.
7. When adjusting glass elements, always stick to the required clearance for the respective fitting. Adjust clearance so that the glass does not touch hard components such as glass, metal or concrete.
8. Make sure not to use excessive force when installing the glass (avoid local stress resulting from very tight screws).

Maintenance

Check fittings at regular intervals for proper positioning and smooth running and door for correct adjustment. Especially highly-frequented door systems require inspection by properly qualified staff (specialised companies or installation firms). Immediately replace damaged glass elements (no glass flaking and/or conchoidal fractures)!

General care instructions

The surface finishes of the fittings are not maintenance-free and should be cleaned according to their material and design.

- For metallic surfaces (anodised finishes, stainless steel) please use appropriate cleaning agents without abrasive additives only.
- For varnished surfaces please use appropriate solvent-free cleaning agents only.
- Brass surfaces (without surface protection) have to be treated with an appropriate maintenance agent on occasion, to avoid tarnishing.

For practical planning, please use our drawings dormakaba "The Detail".

The printed colours indicating the surface finishes are not 100 % true, but do provide a useful guide. Statements made with regard to the nature or use of the products are for the purposes of descriptions. Assent with regard to the existence of particular properties or particular uses always requires special written agreement. Pictures may show special designs which are different to the standard scope of delivery.

Subject to change without notice.



www.glas-innovationen.com/en



**Door
Hardware**



**Electronic
Access & Data**



**Mechanical
Key Systems**



Lodging Systems



**Entrance
Systems**



**Interior Glass
Systems**



Safe Locks



Service

dormakaba
International Holding AG
Hofwisenstrasse 24
CH-8153 Rümlang
T +41 44 818 90 11
info@dormakaba.com
www.dormakaba.com