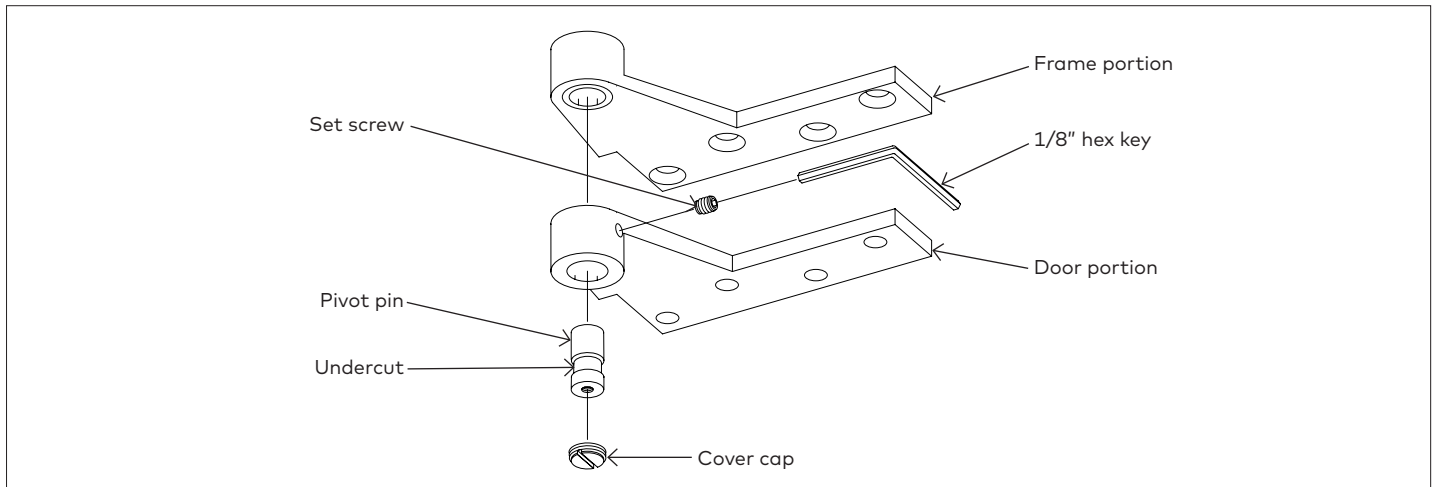


Installation Instructions

1-1/2" Offset Top Pivot For use 15120, 15122, 15133

1.1 Install pivot

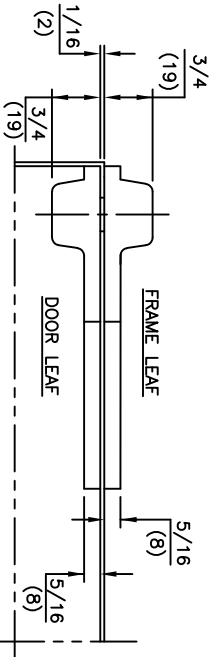
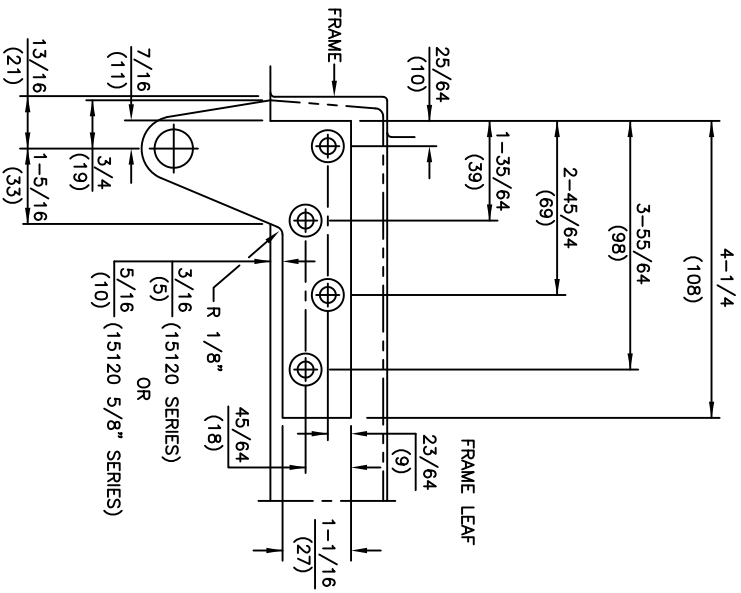
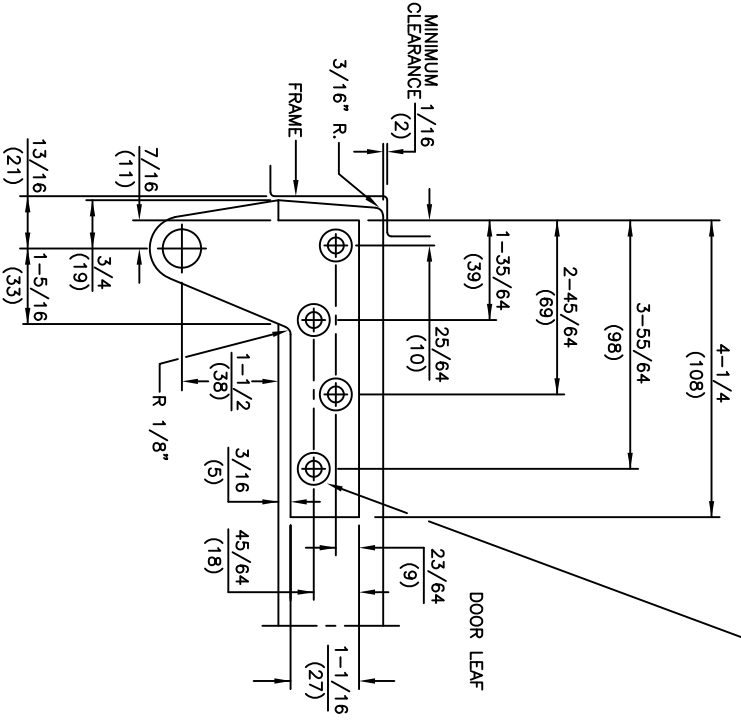


- 1.1.1 Prepare door and frame according to template.
- 1.1.2 Remove door portion cover cap.
- 1.1.3 Remove set screw.
- 1.1.4 Remove pivot pin.
- 1.1.5 Fasten pivot to door and frame.

- 1.1.6 Install door.
- 1.1.7 Align door and frame portions of top pivot.
- 1.1.8 Install pivot pin marking sure undercut area of pin aligns with set screw.
- 1.1.9 Tighten set screw securely.
- 1.1.10 Install door portion cover cap.

NOTE: Depending on type of pivot and hand of door, set screw may be in door portion or frame portion of pivot. However, pivot pin will always be removeable through door portion.

FOR 1/4-20 MACHINE SCREWS USE No.7 DRILL
 FOR No.14 WOOD SCREWS USE 5/32" DRILL
 FOUR (4) HOLES PER LEAF



- NOTES
1. DO NOT SCALE DRAWING.
 2. DIMENSIONS ARE IN INCHES/(MM).
 3. RIGHT HAND DOOR SHOWN.
 4. BEVEL HEEL EDGE OF DOOR 1/8" IN 2".
 5. ALL NECESSARY REINFORCING FOR PIVOT BY OTHERS.

ITEM No. [15120, 15122, 15133 (FLUSH DOOR) NON-HANDED],
 [15120 5/8, 15122 5/8, 15133 5/8 (1/8" REVEAL) HANDED]
 1-1/2" OFFSET FULL MORTISE TOP PIVOT

