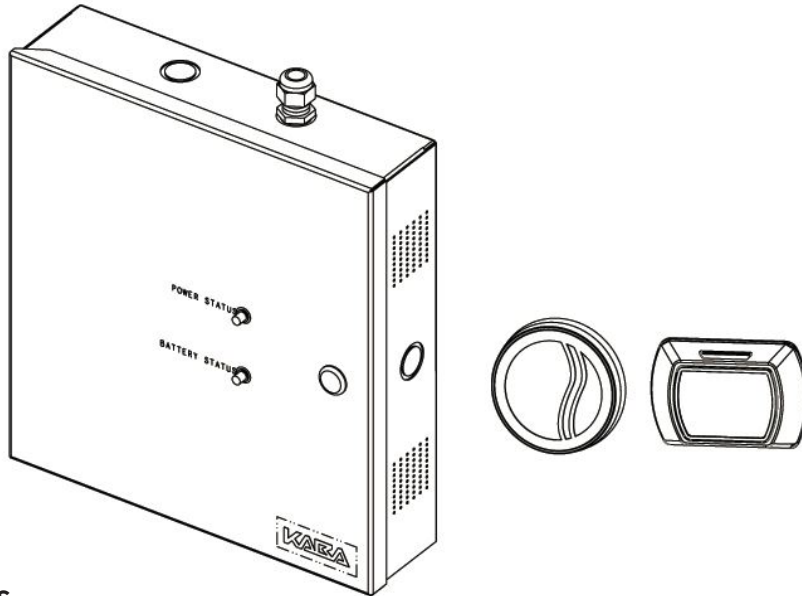


## SAFLOK Multi-Floor Controller (MFC)



### Overview

The Saflok Multi-Floor Controller (MFC) is elevator control hardware connected to the hotel network. The device is designed to operate with either online or stand-alone elevator control units (ECU). It provides access control and secure stops for multiple floors and functions with RFID contactless lock models and System 6000. When installed as an online solution, the MFC provides flexible access control on the fly. RFID ECU can be controlled up to 1200 feet (350m) away when using the MFC system.

### FEATURES

#### Standard

- Variable access delay
- Power failure 3-day auto-recovery; real time clock (RTC)
- Relay bypassing (passage function)
- Control up to two card readers
- Fire Alarm Input
- Tamper Alarm Input
- Power Status LEDs feedback
- Relay Expansion Board with 8 relays

#### Optional

- Additional Relay Expansion Boards (up to 4 total in MFC, 32 relays max)
- Additional RFID Reader

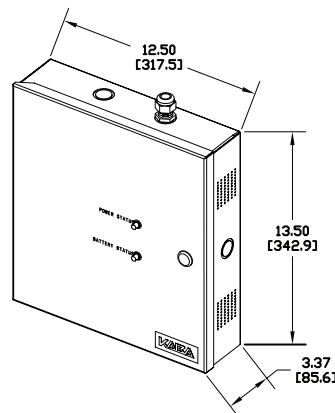
#### Online

Guests

- > Key inhibited in elevator after checkout
- > Change Room / Key no longer able to access previous floor
- > Floor lockdown (Customer defined based on key level)

#### Staff

- > OTA/remote Interrogation
- > Cancel key in Elevator
- > Block/Unblock specific keys
- > Auto latch - No keys required to access floors



**Disclaimer:** While reasonable efforts were made to ensure the accuracy of this document at the time of printing, Kaba assumes no liability for any errors or omissions. This information is subject to be revised without notice, and changes may be incorporated in future releases.