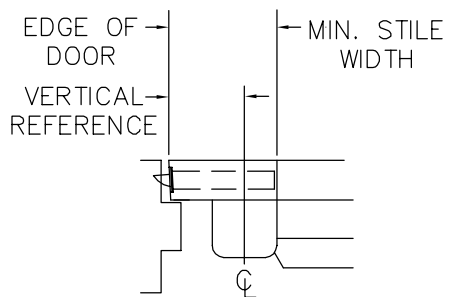
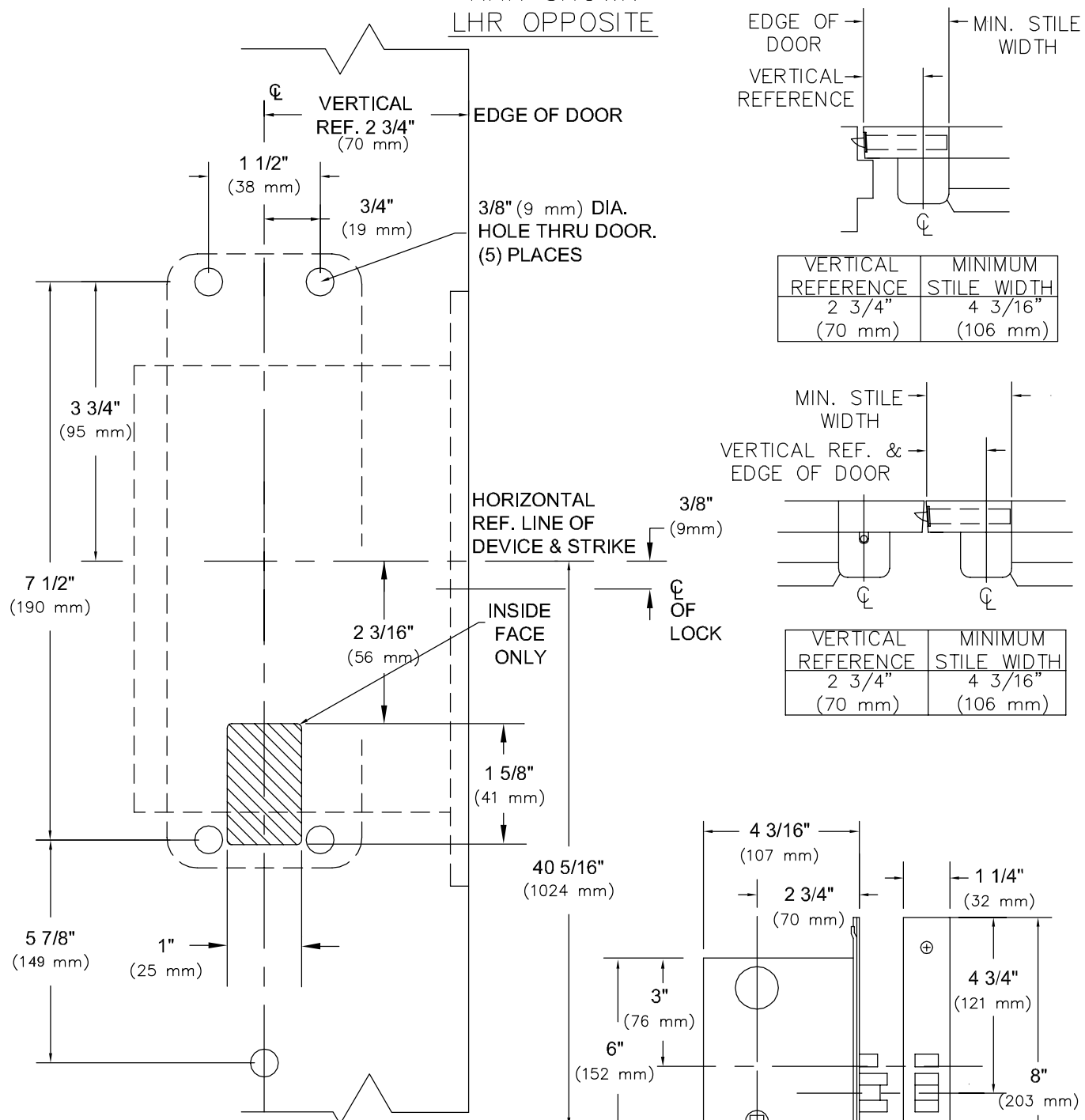
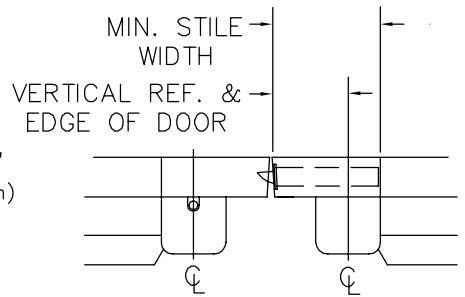


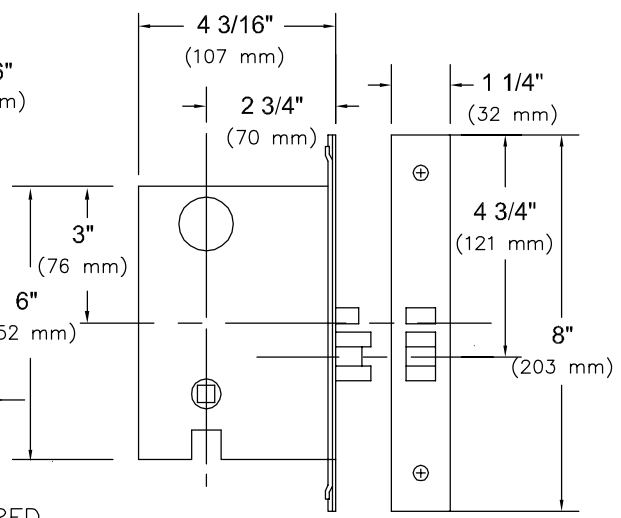
RHR SHOWN
LHR OPPOSITE



VERTICAL REFERENCE	MINIMUM STILE WIDTH
2 3/4" (70 mm)	4 3/16" (106 mm)



VERTICAL REFERENCE	MINIMUM STILE WIDTH
2 3/4" (70 mm)	4 3/16" (106 mm)



NOTES: FINISHED FLOOR LINE OR TOP OF THRESHOLD

1. SEE MASTER SHEET #T-0001 FOR SUGGESTED DOOR REINFORCEMENT.
2. SEE ADDITIONAL TRIM TEMPLATE WHEN REQUIRED.
3. DEVICE WILL COVER STANDARD SDI CUTOUT.

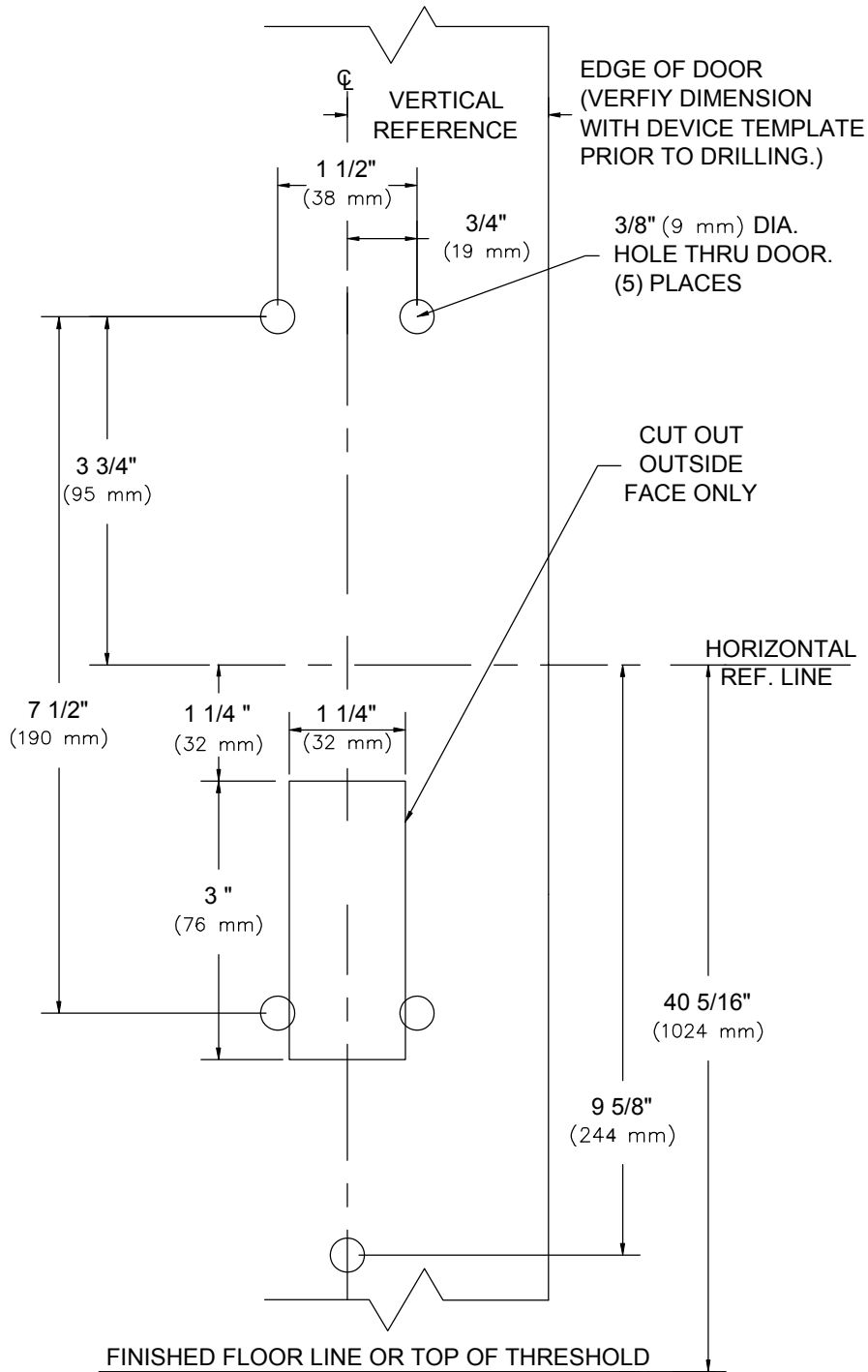
REV. No. 4 REVISION: Trim Designation DATE: 12-31-03



9500 & F9500 x VODT & NPTDT
 9500 & F9500 x HTT22M, or HRT22M
 9500 & F9500 x HTT05M, or HRT05M
 9500 & F9500 x V102, V302, PTT02, PRT02
 9500 & F9500 x V103M, V303M, PTT03M, PRT03M
 MORTISE TYPE EXIT DEVICE


TEMPLATE NUMBER
 T-9502④

RHR SHOWN
LHR OPPOSITE



NOTES:

1. SEE MASTER SHEET #T-0001 FOR SUGGESTED DOOR REINFORCEMENT.
2. SEE ADDITIONAL DEVICE TEMPLATE WHEN REQUIRED.
3. TRIM WILL COVER STANDARD SDI CUTOUT.

REV. No. 3	REVISION: Dimension Correction	DATE: 8-14-03
	<p>HTT22M or HRT22M TRIM</p>	<p>TEMPLATE NUMBER T-9009 ③</p>