

C300 CYLINDRICAL LEVERSET

Installation Instructions



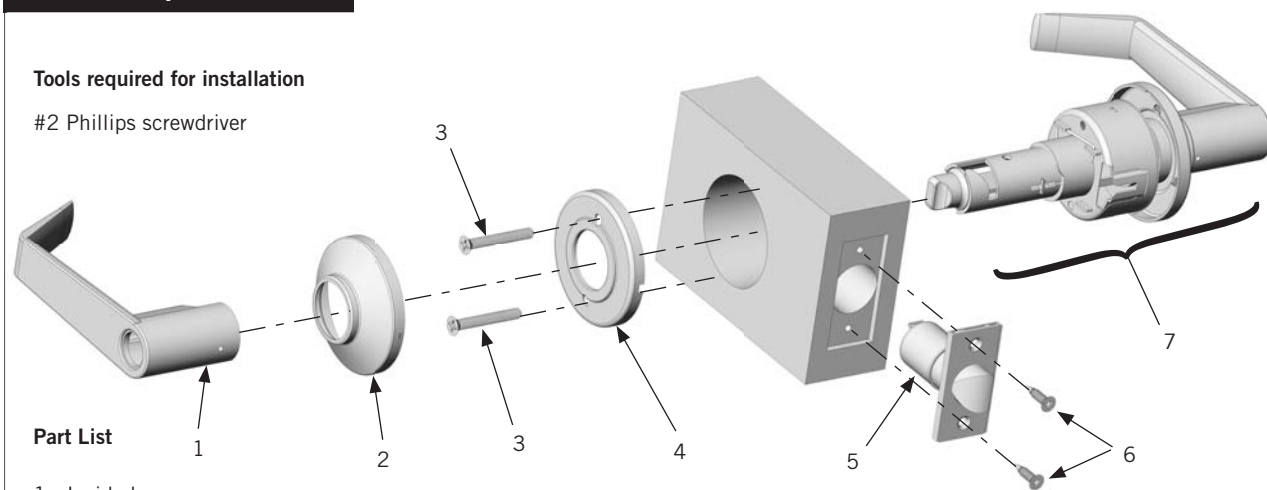
Overall Exploded View

Tools required for installation

#2 Phillips screwdriver

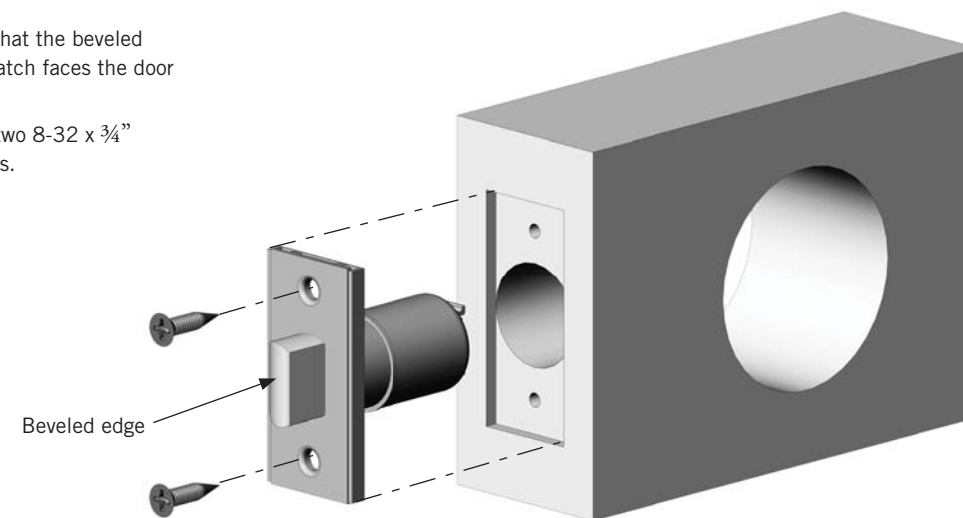
Part List

- 1 - Inside lever
- 2 - Rose
- 3 - 10-32 x 1-3/8" screws (x2)
- 4 - Inside rose insert
- 5 - Latch
- 6 - 8-32 x 3/4" combo-screws (x2)
- 7 - Lock assembly



1. Install latch

- 1.1 Place the latch into the door edge.
Orient such that the beveled edge of the latch faces the door jamb.
- 1.2 Secure with two 8-32 x 3/4" combo-screws.



1

2. Install lock assembly

Remove inside lever, rose & rose insert

- 2.1 Pull the inside lever off the assembly and remove the tag.
- 2.2 Remove the rose.
- 2.3 Remove the rose insert.

Adjust for door thickness

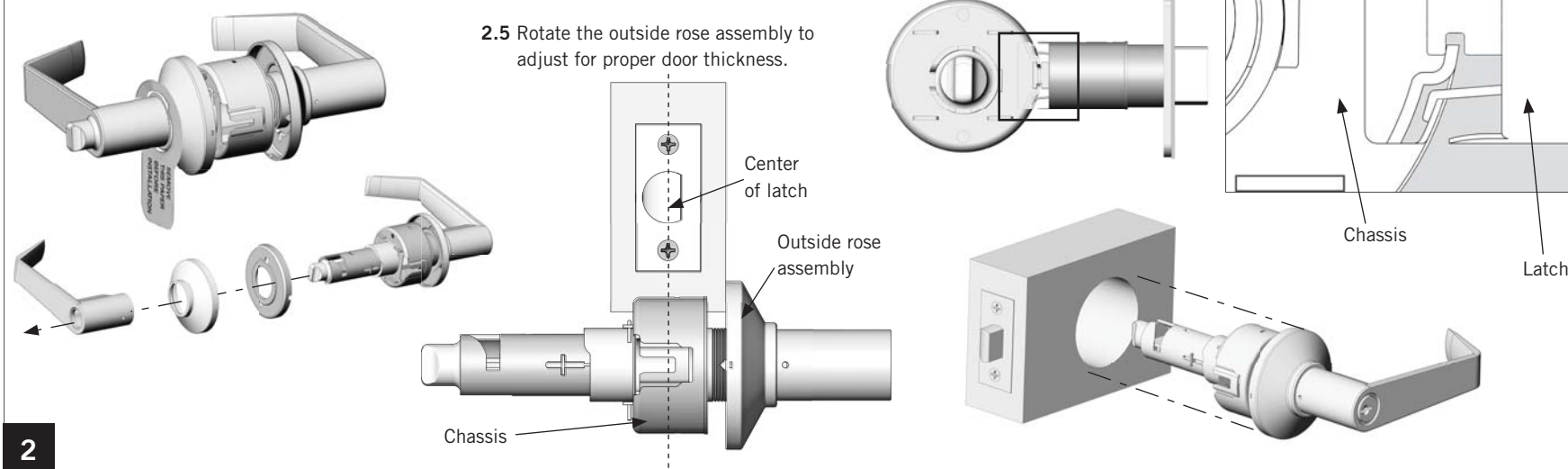
NOTE: Lock comes adjusted for 1-3/4" door from the factory.

- 2.4 To adjust the lock assembly for door thickness, align chassis such that the center of the chassis is in line with the center line of the latch.
- 2.5 Rotate the outside rose assembly to adjust for proper door thickness.

Install chassis

- 2.6 Slide the lock assembly into the face of the door.

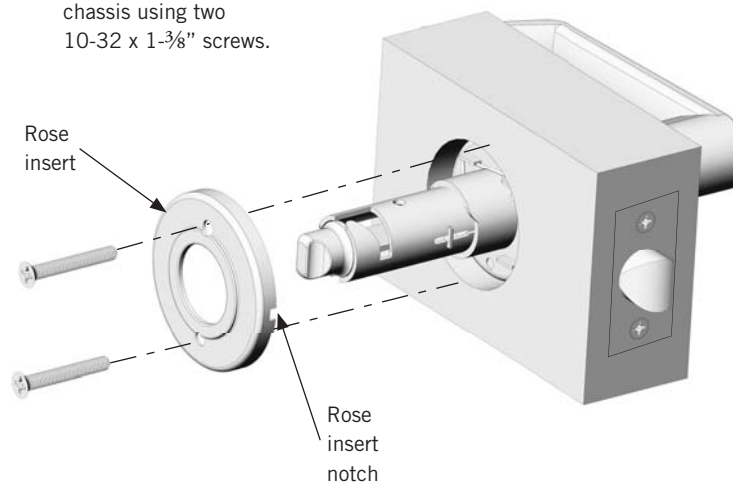
⚠ Be sure to line up the inner mechanism of the chassis with the back of the latch as shown.



2

3. Install inside rose insert

- 3.1 Hold the lock assembly in place.
⚠ Orient the rose insert such that the rose insert notch faces the door.
- 3.2 Secure the rose insert to the chassis using two 10-32 x 1-3/8" screws.

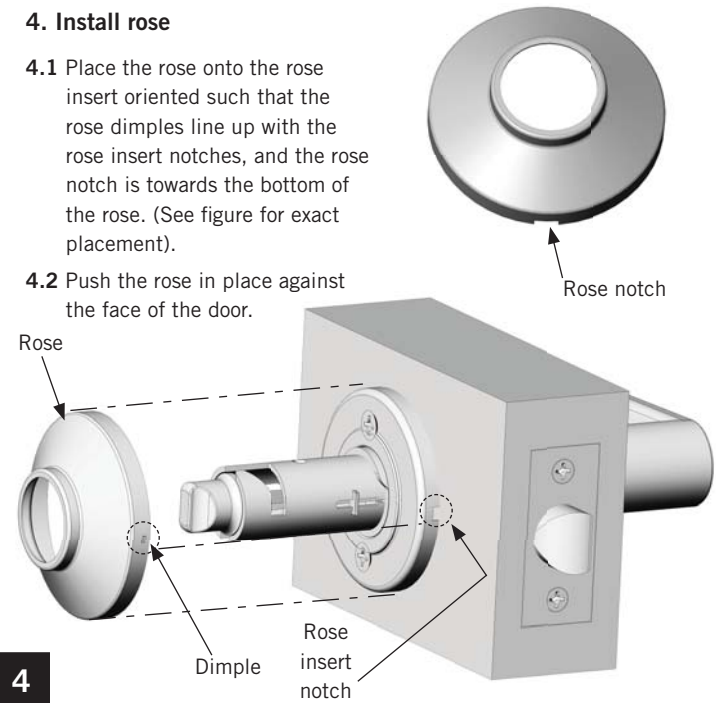


3

4. Install rose

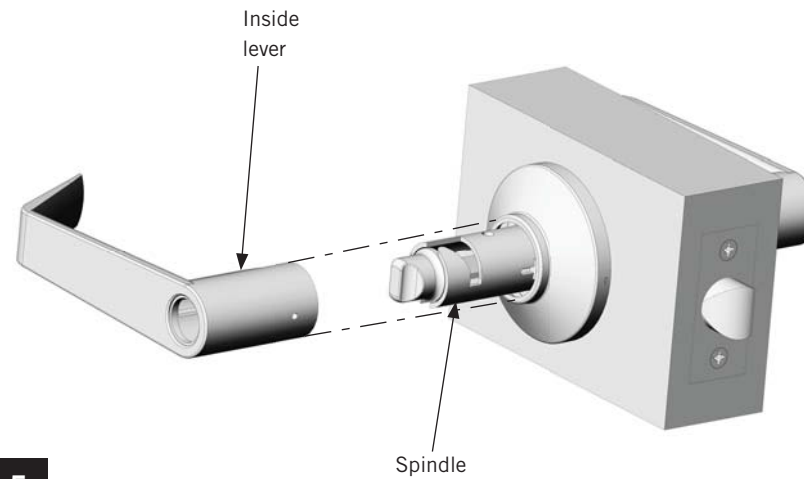
4.1 Place the rose onto the rose insert oriented such that the rose dimples line up with the rose insert notches, and the rose notch is towards the bottom of the rose. (See figure for exact placement).

4.2 Push the rose in place against the face of the door.



5. Install inside lever

5.1 Push the inside lever onto the spindle until it clicks into place.

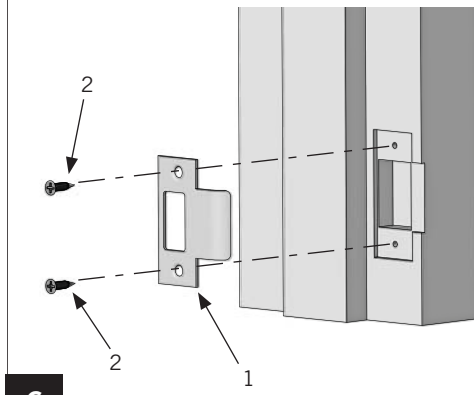


6. Install strike

6.1 Insert the strike as shown.

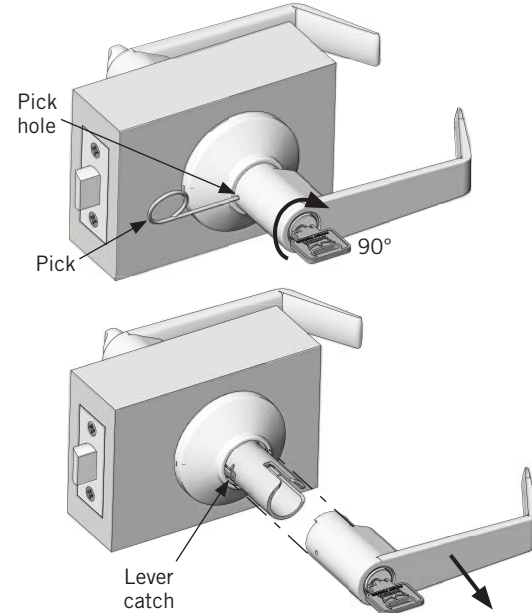
6.2 Secure with two 8-32 x 3/4" combo screws.

Strike part list
 1 - Strike
 2 - 8-32 x 3/4" combo screws (x2)

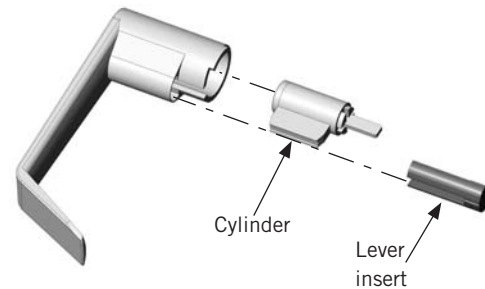


Steps to install new cylinder

1. Remove the outside lever by inserting the key, turn clockwise and hold at 90°. Using the pick, depress the lever catch through the pick hole and remove the lever. Remove the key.

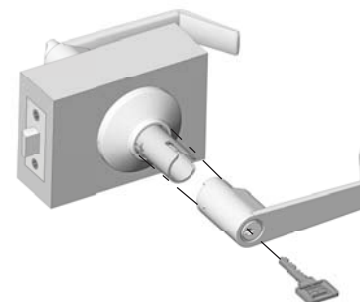


2. Remove the lever insert and cylinder from. Replace with the new cylinder and reinstall the lever insert.



3. Insert the key in the cylinder.

⚠ DO NOT turn the key.



⚠ Be sure the tailpiece is horizontal.

4. Press the outside lever onto the spindle until the lever contacts the lever catch.

5. Insert the key into the core, turn clockwise and hold at 90°. Press the lever fully onto the spindle until it clicks into place. Release the key.

