

FFL	Finished floor level	Pro Green ES 400 PRO	Weight
LW	Passage width	1-leaf	1-leaf
LH	Clearance height	LW 800-3000	ES 400 PRO 1 x 250 kg
H	Installation height	B min. = 2 x LW + 227 (without fixed part / with post width 115mm)	
X	Noticed	2-leaf	2-leaf
	According to EN 16005 / DIN 18650 Construction and testing principles for automatic. For doors, this dimension may only be 4 - 8 mm.	LW 1000 - 3000	ES 400 PRO 2 x 200 kg
		B min. = 2 x LW + 207 (without fixed part / without post width)	

Attention !
the safety equipment of the automatic door must correspond to the risk analysis according to DIN 18650

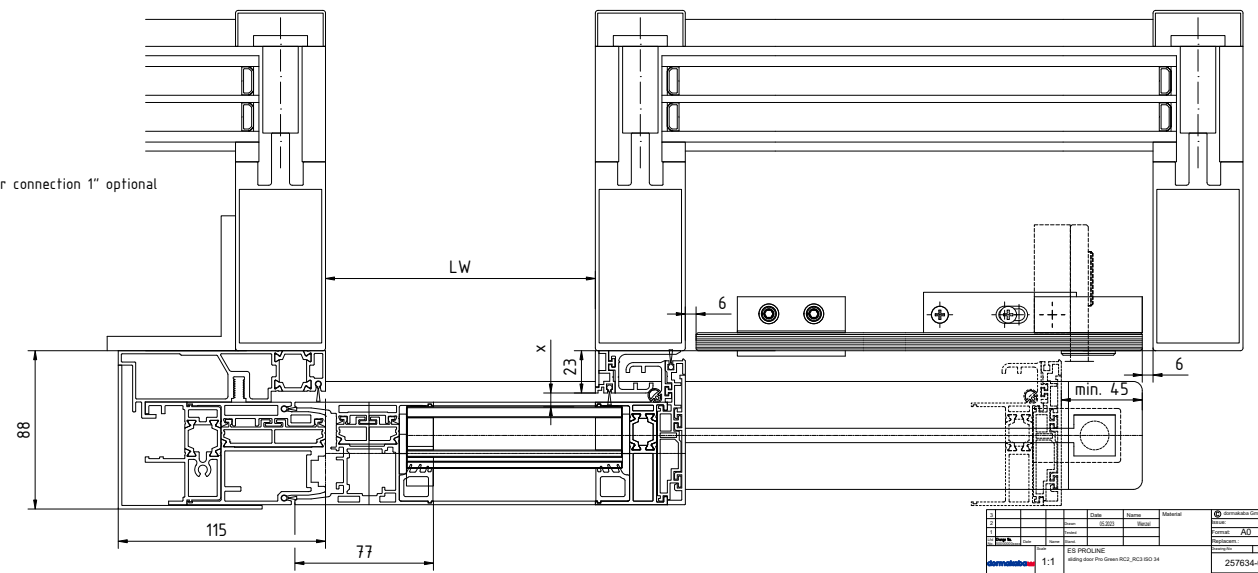
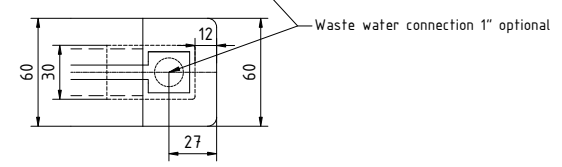
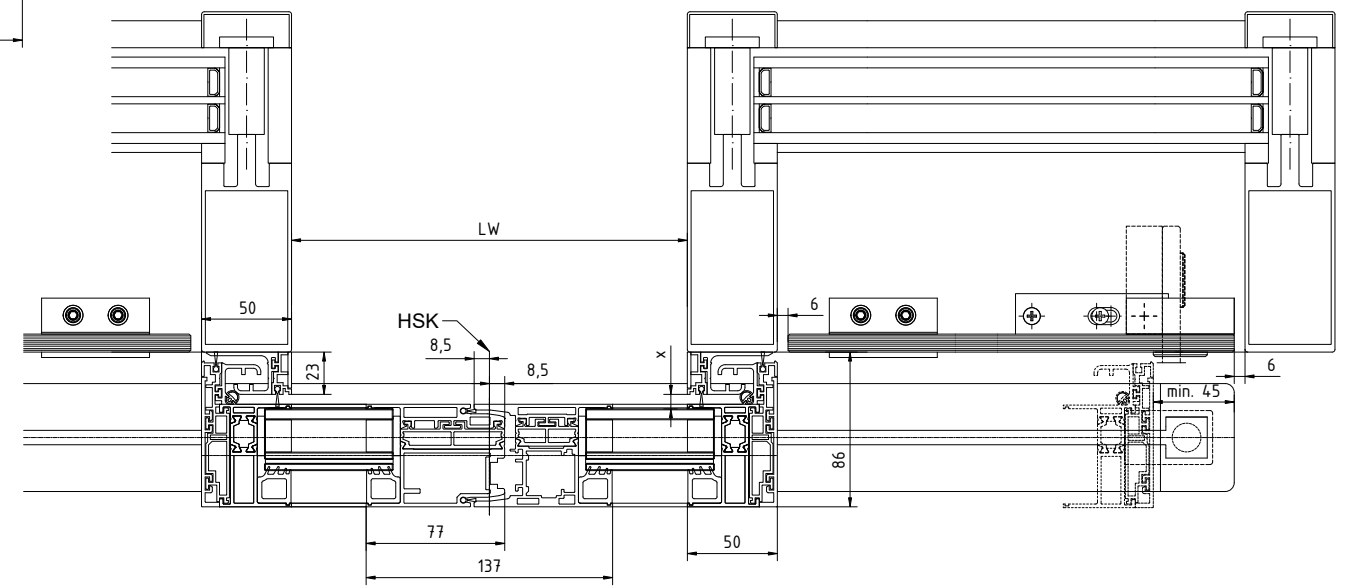
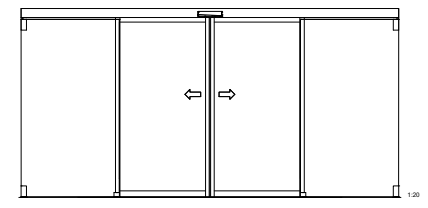
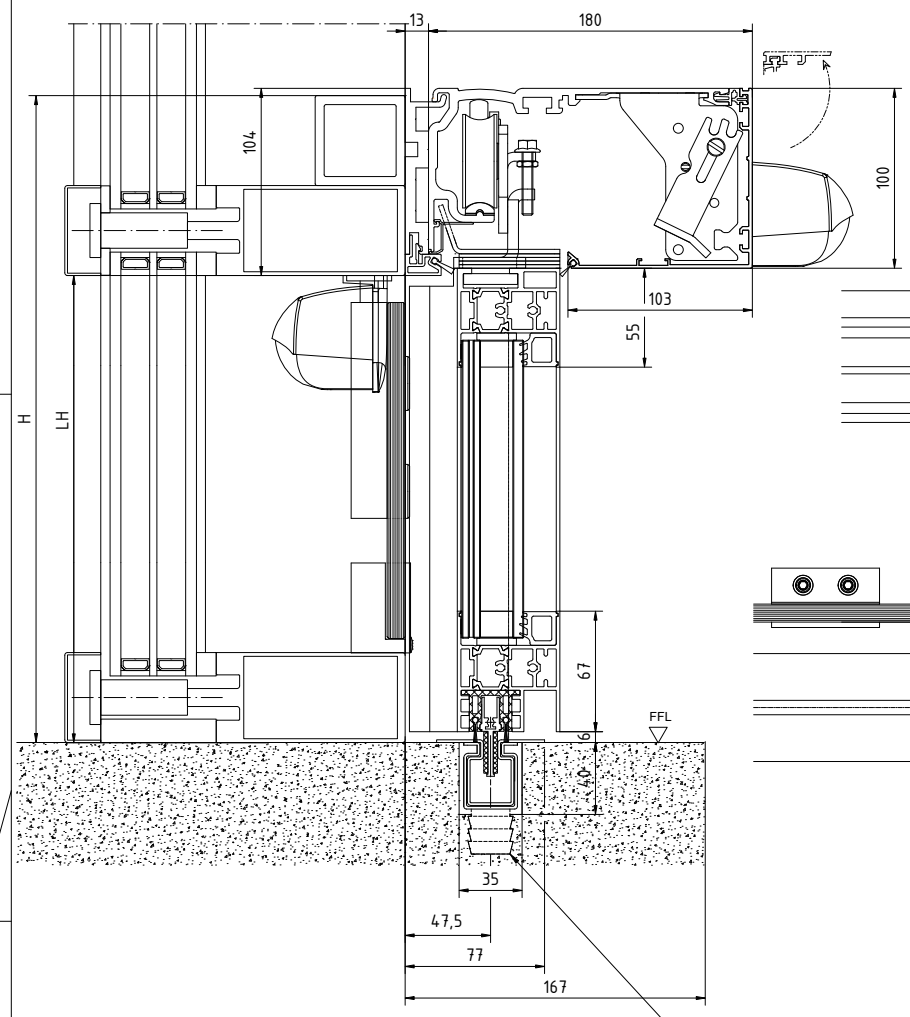
Make sure the screws are secure!
In the masonry with the in specified in the documentation anchors work.

Manual unlocking
Usable European profile cylinder
(European profile cylinder 17 mm) 35 x 70mm according to DIN 18252 P2BZ
(Half cylinder European profile 17 mm) 35 x 10 according to DIN 18252
For operation from the inside
KABA star Round cylinder: D=22, Typ 1515, 32,5 x 72,5mm,
Execution AWZ according to EN 1303
Half round cylinder: 32,5/10 (CH)
For operation from the inside

1	ES PROLINE	257834-00-6-60
1:1	insulating glass - without fixed part - recessed floor rail	00

Copyright © 2014 Pro Green
 Pro Green GmbH, 35103 Kassel
 35103 Kassel, Germany
 Tel: +49 (0)561 809-100
 Fax: +49 (0)561 809-101
 E-Mail: info@progreen.com
 www.progreen.com

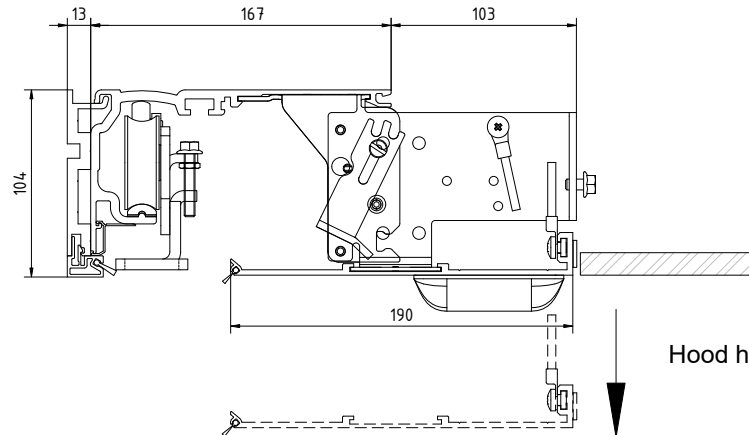
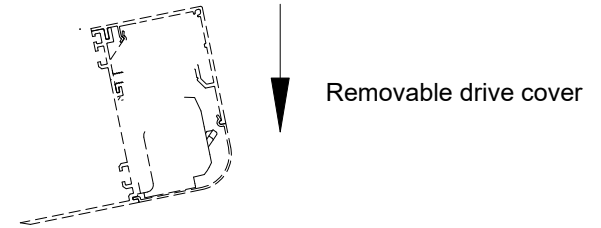
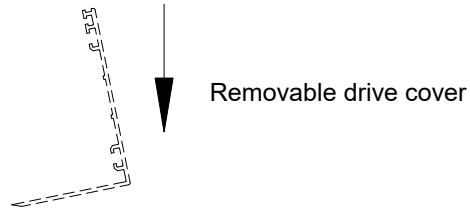
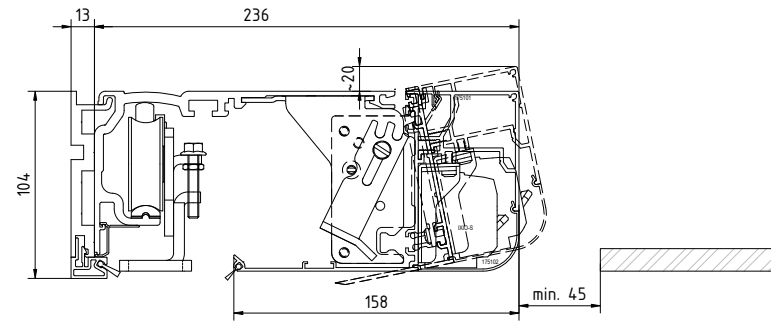
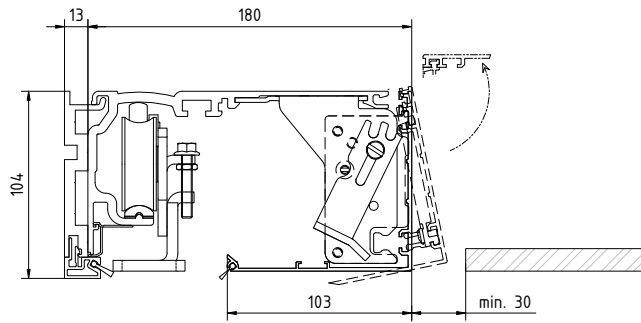
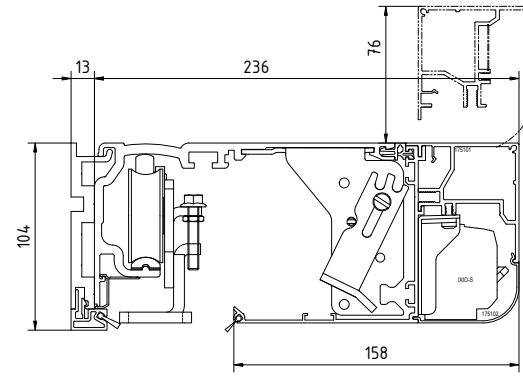
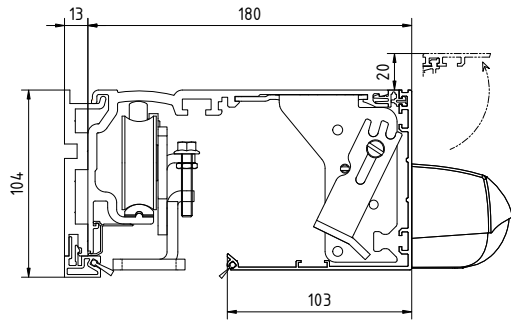
FFL	Finished floor level	Pro Green ES 400 PRO	Weight
LW	Passage width	1-leaf	1-leaf
LH	Clearance height	LW 800-3000	ES 400 PRO 1 x 250 kg
H	Installation height	B min. = 2 x LW + 227 (without fixed part / with post width 115mm)	
X	Noticed	2-leaf LW 1000 - 3000 B min. = 2 x LW + 207 (without fixed part / without post width)	2-leaf ES 400 PRO 2 x 200 kg
According to EN 16005 / DIN 18650 Construction and testing principles for automatic. For doors, this dimension may only be 4 - 8 mm.			

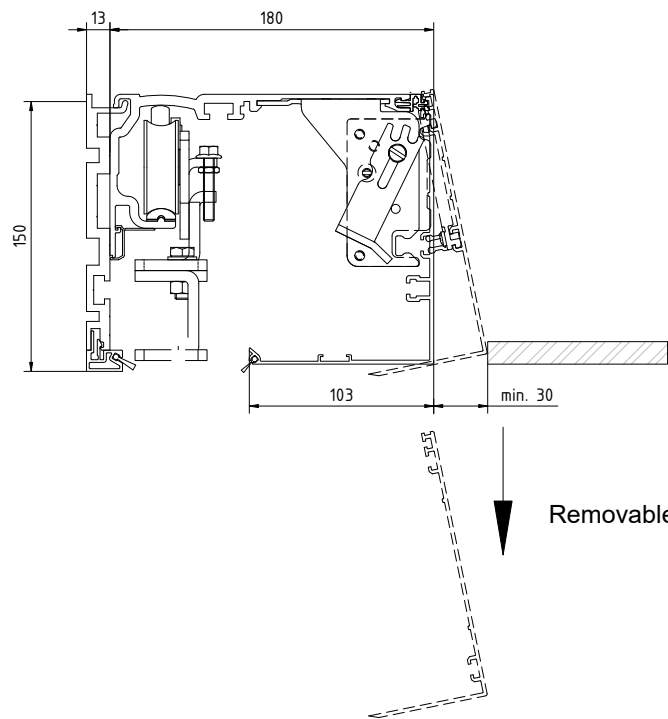
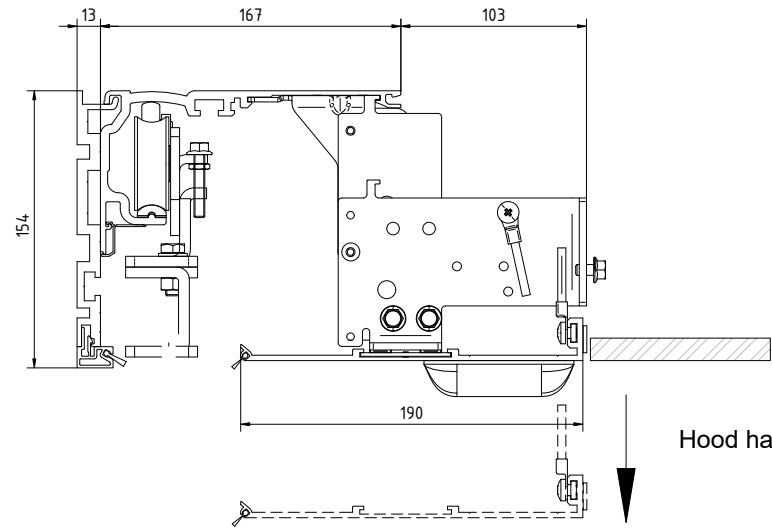
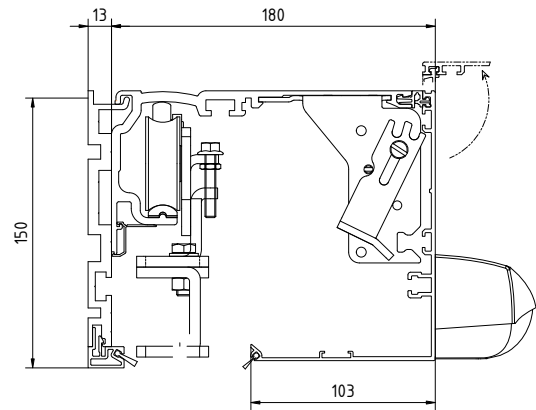


Attention !
the safety equipment of the automatic door must correspond to the risk analysis according to DIN 18650

Make sure the screws are secured in the masonry with the in-specified in the documentation anchors work.

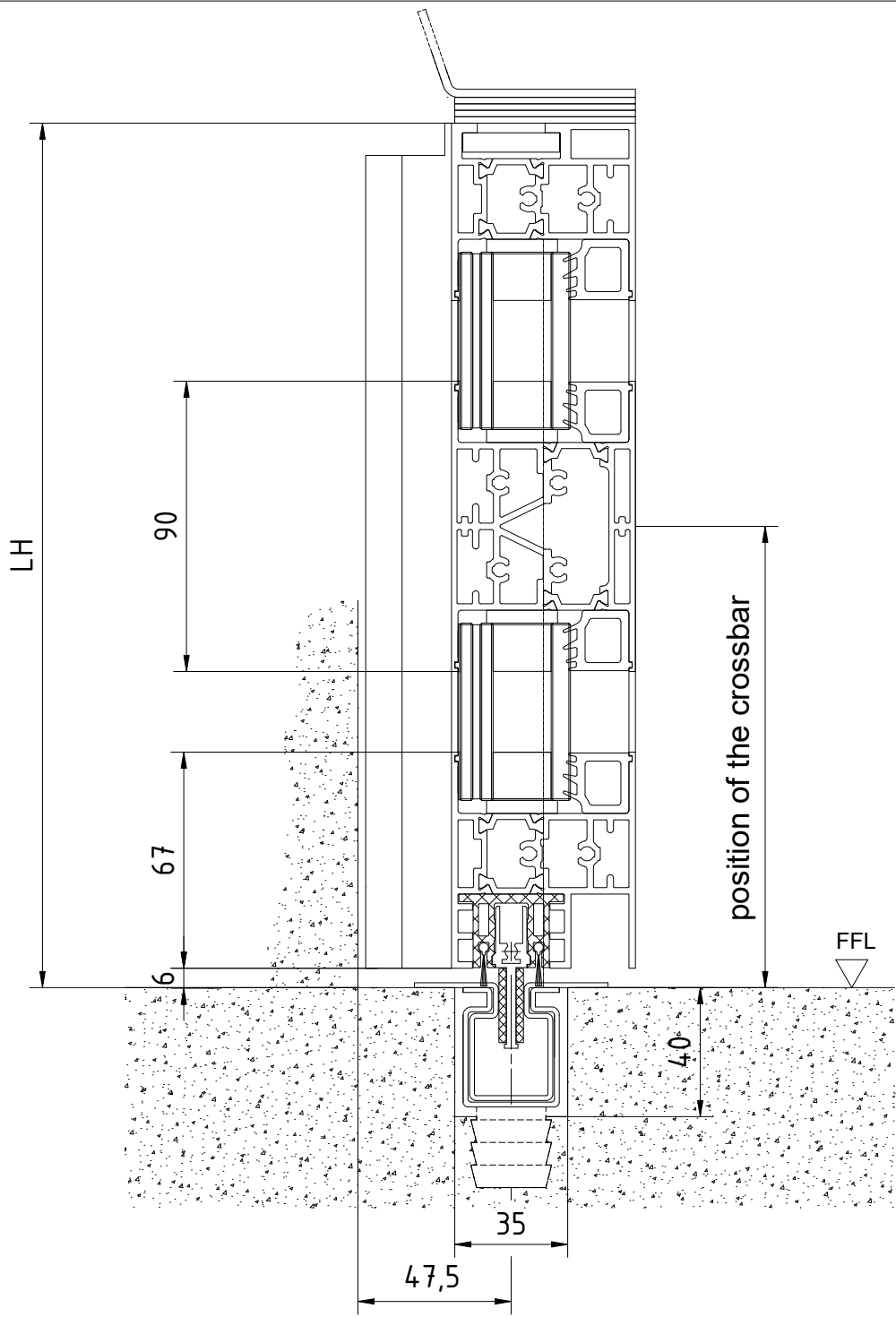
ES PROLINE	257834-00-6-60	1
1:1	ES PROLINE	1
	257834-00-6-60	1





Hood hatch

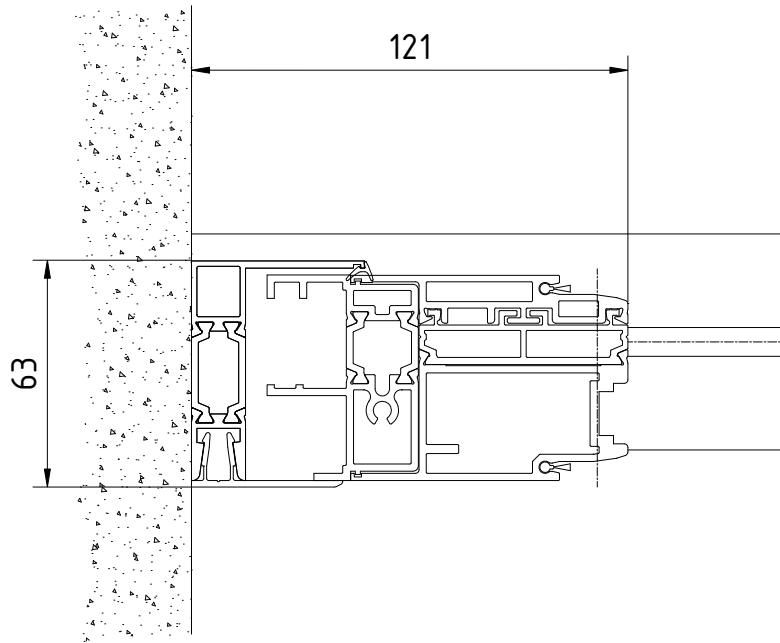
Removable drive cover



Distribution and reproduction of this document,
 Use and communication of these contents is not permitted,
 design for any reproduction. All rights reserved. In the case
 of any change, subject to the granting of patents or registration of other models.

3				Date	Name	Material	© dormakaba GmbH+Co.KG (DE) Ennepetal				
2			Drawn	05.2023	Wenzel		Issue:				
1			Tested				Format:	A2			
Lid No.	Change No.	Date	Name	Stand.			Replacem.:				
							Drawing-No	Var.	Typ	Cond	Sheet
dormakaba		Scale	ES PROLINE		sliding door Pro Green RC2_RC3 ISO 34		257634-00-6-60		1		1
		1:1			crosses - insulating glass - without fixed part - recessed floor rail		Var.: 00				ven. Bl.

Distribution and reproduction of this document,
 Use and communication of these contents is not permitted,
 design for any other purpose. All rights reserved. In the case
 of subject to the granting of patents or registration of other models.



3				Date	Name	Material	© dormakaba GmbH+Co.KG (DE) Ennepetal				
2			Drawn	05.2023	Wenzel		Issue:				
1			Tested				Format:	A2			
Lid No. (xxxxxx) Date Name Stand.							Replacem.:				
		Scale	ES PROLINE				Drawing-No	Var.	Typ	Cond	Sheet
		1:1	sliding door Pro Green RC2_RC3 ISO 34				257634-00-6-60				1
			receiving post - insulating glass- without fixed part - recessed floor rail				Var.:	00			

Solutions for various construction situations. Each real situation is a particular case which must be clarified on site and may differ from these versions. The data can be found in the assembly instructions.

