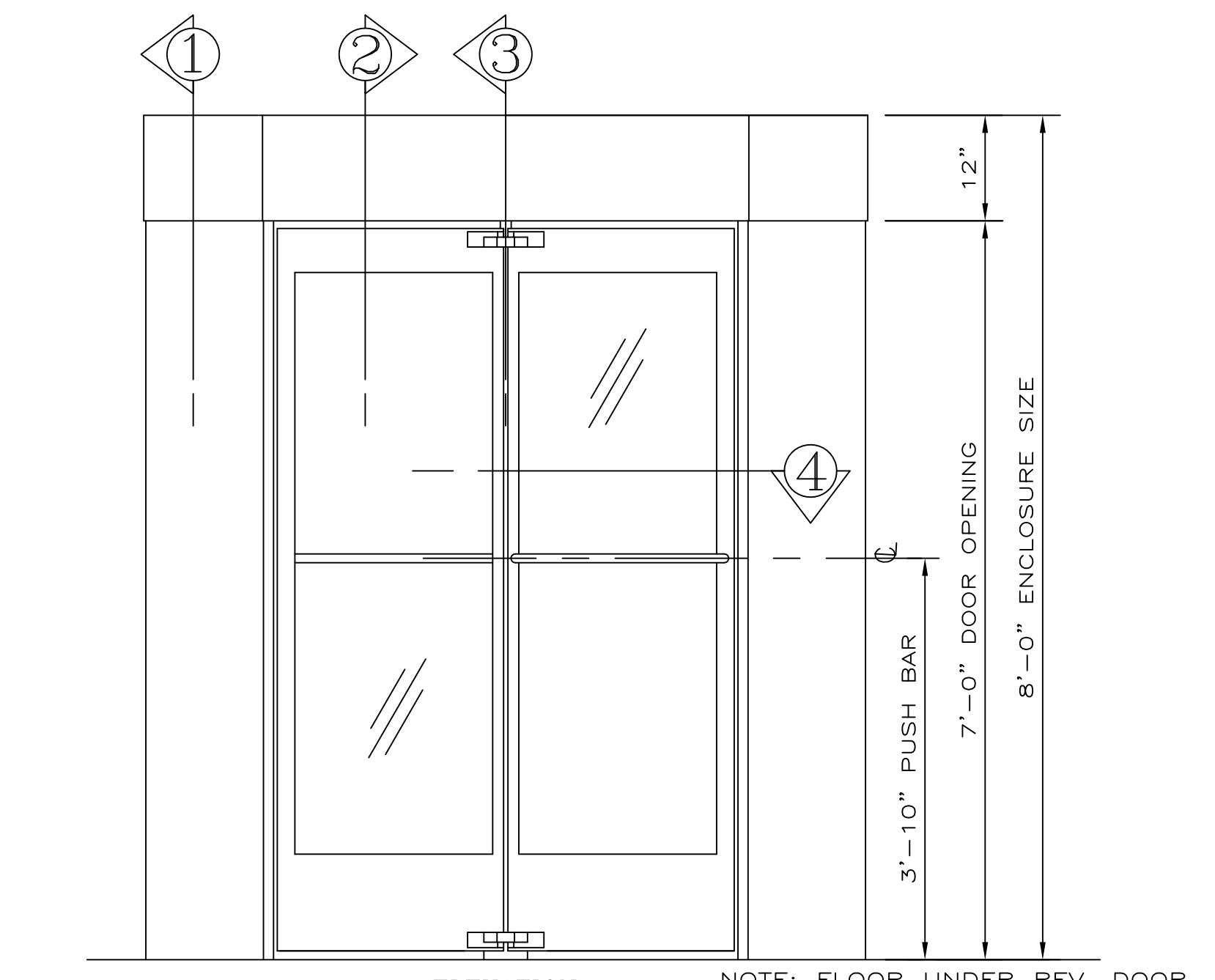
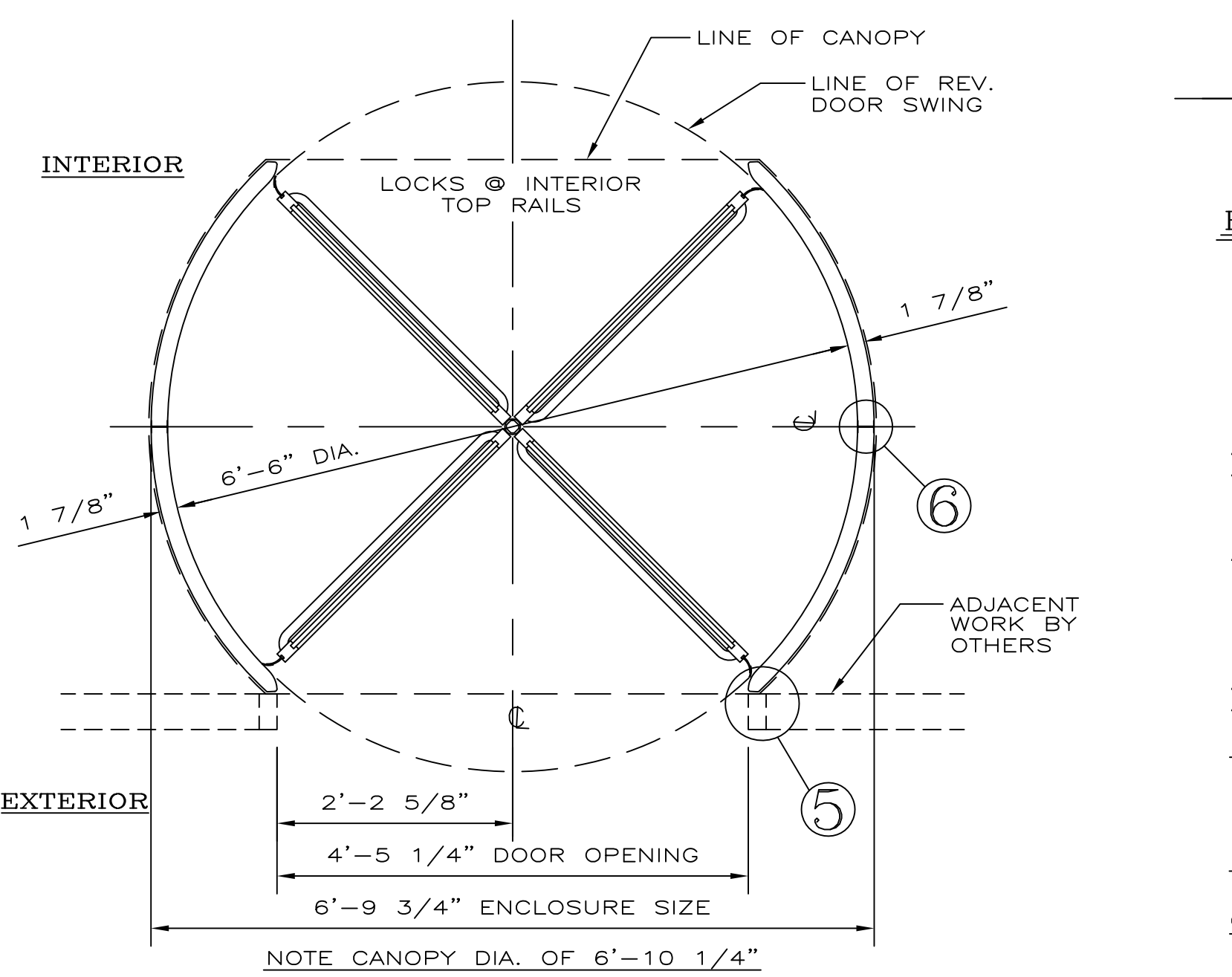


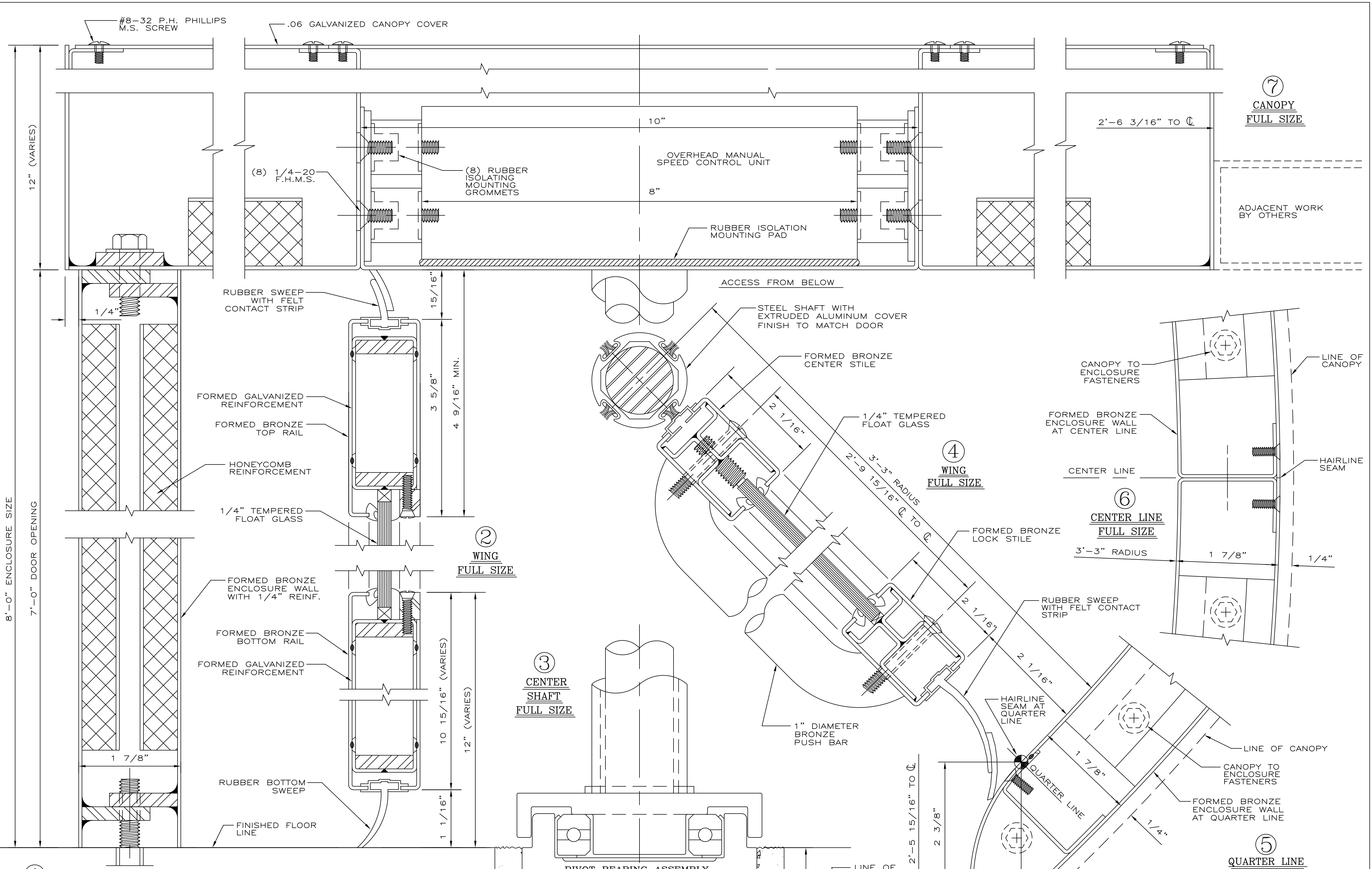
**CANOPY REINFORCING PLAN**  
SCALE: 3/4" = 1'-0"



**ELEVATION**  
NOTE: FLOOR UNDER REV. DOOR MUST BE LEVEL.  
ONE (1) DOOR REQUIRED THUS  
SCALE: 3/4" = 1'-0"



**PLAN**  
NOTE CANOPY DIA. OF 6'-10 1/4"  
SCALE: 3/4" = 1'-0"



**1 ENCLOSURE WALL FULL SIZE**  
3/8" DIA. x 3" LONG STUD SET IN QUICK SETTING CEMENT

**CONTRACTOR NOTE:**  
CONTRACTOR TO PROVIDE A 5 5/16" x 2" DEEP CUT OUT TO ACCEPT FLOOR MOUNTED PIVOT BEARING.

**GENERAL NOTES**  
CONTRACTOR SHOULD CHECK & TAKE NOTE OF ALL DIMENSIONS AS C.D.C. (CRANE DOOR CO.) ASSUMES NO RESPONSIBILITY BEYOND MANUFACTURING IN ACCORDANCE WITH THE DIMENSIONS SHOWN ON SHOP DRAWINGS.

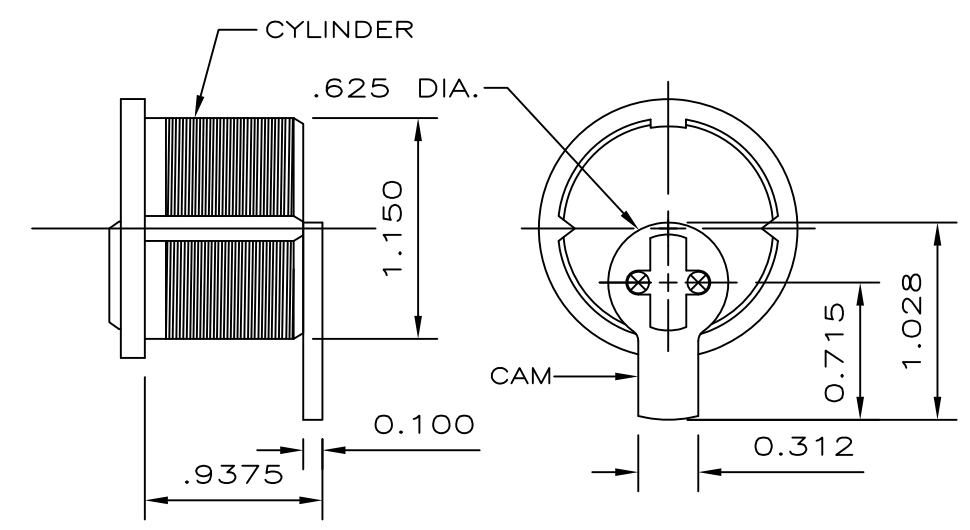
APPROVAL INDICATES THAT THIS SHOP DRAWING HAS BEEN CHECKED AND THAT YOU AUTHORIZE US TO FABRICATE MATERIALS AS SHOWN HERE-IN.

REVOLVING DOOR PERIMETER CAULKING (INCLUDING BASE SECTION TO FLOOR) AND CANOPY COVER CAULKING NOT BY C.D.C. ALL HOLES IN FLOOR NOT BY C.D.C.

**MATERIAL TO BE:**  
.064 MIN. THICKNESS BRONZE SHEET 280 MUNTZ METAL.  
.125 MIN. THICKNESS BRONZE EXTRUSION CDA 385 ALLOY. (UNLESS OTHERWISE SPECIFIED)

**FINISH TO BE:**  
SATIN AND LACQUER  
**GLASS TO BE:** CLEAR  
1/4" TEMPERED FLOAT FOR WINGS

GLASS TO MEET ANSI Z97.1 AND 16 CFR 1201. ALL TEMPERED GLASS TO HAVE SAFETY LOGOS. IF ADDITIONAL LOGOS ARE REQUIRED PLEASE SPECIFY.



**TYPICAL CYLINDER AND "STRAIGHT ARM" TYPE CAM REQUIRED FULL SIZE**  
NOTE: ADAMS-RITE CAM MAY BE SUBSTITUTED

- HARDWARE SCHEDULE**
- OVERHEAD MANUAL SPEED CONTROL UNIT.
  - FLOOR MOUNTED PIVOT BEARING ASSEMBLY.
  - FULVIEW II PANIC PROOF BOOK-FOLD MECHANISM IN COMPLIANCE WITH ALL APPLICABLE REGULATIONS.
  - LOCKS: SPECIAL REV. DOOR TYPE TWO (2) REQUIRED INSTALLED AT TOP RAILS OF TWO ADJACENT WINGS FOR INTERIOR LOCKING.
  - CYLINDERS: STANDARD SIZE MORTISE TYPE, TWO (2) REQUIRED PER REV. DOOR UNIT, TO BE SUPPLIED BY OTHERS TO C.D.C. FOR SHOP INSTALLATION.
  - PUSH BARS: 1" DIA. BRONZE, FINISH TO MATCH DOOR.

**INSTALLER NOTE:**  
BOOK-FOLD TENSION IS NOT PRESET; IT MUST BE ADJUSTED TO MEET BUILDING CONDITIONS.

**NOTE:** PRIOR TO FABRICATION, SHOP DRAWINGS AND FINISH SAMPLES MUST BE FULLY APPROVED AND RETURNED TO C.D.C.

**CRANE DOORMA**  
REVOLVING DOORS™

PHONE: 847-295-2700      FAX: 847-295-5288

SCALE: AS SHOWN      JOB NAME: XXX

DRAWN BY: JG

REVISIONS	LOCATION	PLEASE ADVISE
	ARCHITECT	PLEASE ADVISE
	CONTRACTOR	PLEASE ADVISE
	SUB. CONTRACTOR	PLEASE ADVISE
	MFG. REPRESENTATIVE	PLEASE ADVISE

FAB. CHECK:      HOW. CHECK:      X

CHECKED BY:      NOTES:      X

ORD. NO.:      DATE: 2009      SHEET 1 OF 1      DRAWING NO.: BZ 3000 N