



# CS 80 MAGNEO

Mounting and operation manual

WN 059612 45532/13767 – 2018-12

**EN**

**dormakaba** 

## Contents

<b>1</b>	<b>About this manual</b>	<b>3</b>	<b>5</b>	<b>Make the mains connection</b>	<b>17</b>
1.1	Content and purpose	3	5.1	Mounting with mains plug	17
1.2	Target group	3	5.2	Mounting with fixed connection	17
1.3	Limitations of liability	3	<b>6</b>	<b>Commissioning</b>	<b>18</b>
1.4	Symbols used	3	6.1	Requirements	18
<b>2</b>	<b>Safety</b>	<b>3</b>	6.2	Carry out a learning cycle	18
2.1	Safety instructions	3	6.3	Set speed and hold-open time	19
2.2	CS 80 MAGNEO – outstanding safety	4	6.4	Switch to full energy mode	19
2.3	Intended use	4	<b>7</b>	<b>Connect optional accessories</b>	<b>20</b>
2.4	Limitations on use	4	7.1	Terminal assignment for units without WC controls	20
2.5	Residual risks	4	7.2	Connect accessories	20
2.6	Danger zones at closing edges	4	<b>8</b>	<b>Commissioning</b>	<b>23</b>
2.7	Risk assessment by installer	4	8.1	Requirements	23
2.8	Special protection requirements regarding vulnerable persons	4	8.2	Set functions and operating modes	23
<b>3</b>	<b>Product description</b>	<b>4</b>	8.3	Carry out a learning cycle	24
3.1	General	4	8.4	DIN 18650/EN 16005	24
3.2	Operating and display elements	4	<b>9</b>	<b>Service</b>	<b>25</b>
3.3	Overview of the DIP switch settings	5	9.1	Change the operating mode	25
3.4	Speed and hold-open time	5	9.2	Door behavior in automatic mode	25
3.5	Operation modes	5	9.3	Set speed and hold-open time	25
3.6	Functions of the door in automatic mode	5	9.4	Power supply failure	25
3.7	WC function (optional)	5	9.5	Using WC in a Private Area	26
3.8	Power supply failure	6	9.6	Using the WC in a Public Area	26
3.9	Safety functions	6	<b>10</b>	<b>Maintenance and care</b>	<b>26</b>
3.10	Safety sensors (optional)	6	10.1	Operating cycles display	27
3.11	Emergency open push button (optional)	6	10.2	Care	27
3.12	Low energy mode (delivery state)	6	<b>11</b>	<b>Maintenance from dormakaba</b>	<b>27</b>
3.13	Full power mode	6	<b>12</b>	<b>Troubleshooting</b>	<b>28</b>
3.14	Technical information	6	<b>13</b>	<b>Disassembly, recycling and disposal</b>	<b>30</b>
3.15	Standards, laws, guidelines and regulations	7	<b>14</b>	<b>Declaration of conformity</b>	<b>30</b>
<b>4</b>	<b>Mounting</b>	<b>7</b>	<b>15</b>	<b>Installation declaration</b>	<b>30</b>
4.1	Safety during mounting	7			
4.2	General	7			
4.3	Requirements	7			
4.4	Tools required	7			
4.5	Mains connection	8			
4.6	Mounting on the wall	8			
4.7	Mounting in the wall	13			

# 1 About this manual

## 1.1 Content and purpose

This manual is part of the product. The manual contains important instructions for safe mounting and operation. Therefore, this manual must be carefully read before using the product. This manual must be kept during the service life of the product and must be passed on with the product. This manual describes the mounting and operation of the CS 80 MAGNEO.

## 1.2 Target group

The CS 80 MAGNEO's installation, commissioning, maintenance and disassembly must only be carried out by qualified technical personnel.

The acceptance inspection must only be carried out by qualified technical personnel authorized for this by dormakaba.

The operation of the CS 80 MAGNEO may be carried out by any person who is mentally and physically capable of doing so.

## 1.3 Limitations of liability

Only use the CS 80 MAGNEO in accordance with its intended use. Unauthorized changes to the CS 80 MAGNEO exclude all liability by dormakaba for resulting damages.

## 1.4 Symbols used

### 1.4.1 Hazard categories

Safety instructions are marked with symbols. The safety instructions are introduced by signal words that express the extent of the hazard, e. g.:



#### WARNING

This signal word indicates a situation of potential risk, which could lead to death or serious injury if not averted.



#### CAUTION

This signal word indicates a situation of potential risk, which could lead to minor or slight injury if not averted.



#### ATTENTION

This signal word indicates a situation of potential risk, which could lead to damage to property or the environment if not averted.

### 1.4.2 More symbols



#### TIPS AND RECOMMENDATIONS

This symbol indicates useful information for efficient and trouble-free operation.



Step-by-step figures



Position numbers for parts in graphics

## 2 Safety

### 2.1 Safety instructions



#### WARNING

##### **Danger to life through electric current!**

Works on electrical systems must only be carried out by qualified electricians.

- Before starting work on electrical systems and equipment, establish a zero-potential condition and ensure this condition while carrying out the work.



#### WARNING

##### **Danger to life through electric current!**

Voltage-carrying elements in the drive

- Avoid bringing the drive into contact with water or other liquids.
- Never reach into the drive.
- Never insert metal objects into the openings on the drive.
- Only hold the power cord by the plug to pull it out of the socket. Do not pull it by its cable.
- Do not use the drive if the power cord is damaged.
- The mains connection housing should only be opened by qualified technical personnel.



#### WARNING

##### **Danger of injury from falling objects.**

Falling parts or tools can cause injury.

- Secure workplace against unauthorized entry.

## 2.2 CS 80 MAGNEO – outstanding safety

Developed according to the latest safety standards:

+	Low energy operation according to DIN 18650/EN 16005
---	--

The CS 80 MAGNEO is developed according to the latest safety standards and certified by a TÜV type examination.

The TÜV certificate and CE declaration can be requested from the manufacturer if required.

## 2.3 Intended use

The CS 80 MAGNEO is a sliding door drive and is used for opening and closing 1- and 2-leaf sliding doors in indoor areas with a permissible door leaf weight of 20 to 80 kg each.

## 2.4 Limitations on use

The CS 80 MAGNEO is not suitable for use in escape routes, on fire doors (fire/smoke protection doors) or in outdoor areas. Do not allow children to play with the CS 80 MAGNEO or its regulating and control equipment, including the remote controls.

## 2.5 Residual risks

Automatic doors carry a risk of injury from crushing, shearing, bumping and pulling. Depending on the structural condition, door variant and protection option, residual risks exist. All automatic doors must be appropriately risk-assessed by a suitably qualified person prior to installation and upon commissioning.

## 2.6 Danger zones at closing edges

Automatic doors carry a risk of injury from crushing, shearing, bumping and pulling at the closing edges.

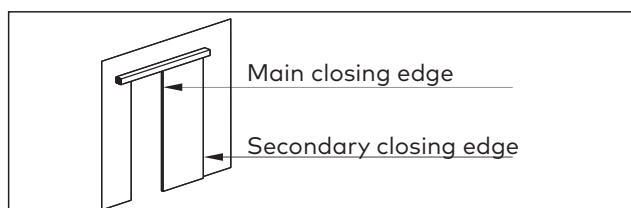


Fig. 1 Closing edges

## 2.7 Risk assessment by installer

Depending on the door's spatial conditions and user group, the use of safety sensors is recommended even for low energy operation. This must be assessed in the planning and by the manufacturer, i.e. the person carrying out the installation, as part of an individual risk assessment. During planning, the installer assesses the use of safety sensors as part of an individual risk assessment.

## 2.8 Special protection requirements regarding vulnerable persons

If particularly vulnerable persons (e.g. children, elderly people or disabled people) use the door and if the risk assessment reveals a risk of injury, supplement the protection with one or more protective devices (safety sensors).

# 3 Product description

## 3.1 General

The CS 80 MAGNEO is an electromechanical sliding door drive for small and light interior doors with a permissible door leaf weight of 20 kg to 80 kg. The CS 80 MAGNEO can be used in a 1- or 2-leaf bi-parting. The connection to the door leaf is made with a door kit. The opening and closing speed depends on the door leaf's weight and it can be infinitely adjusted via a potentiometer.

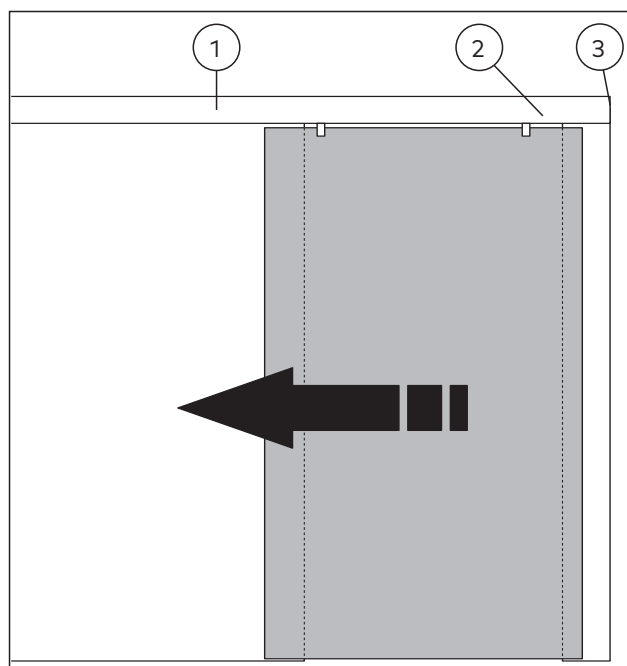


Fig. 2 Overview

- (1) CS 80 MAGNEO
- (2) Control and connection terminals for external loads
- (3) Mains connection

## 3.2 Operating and display elements

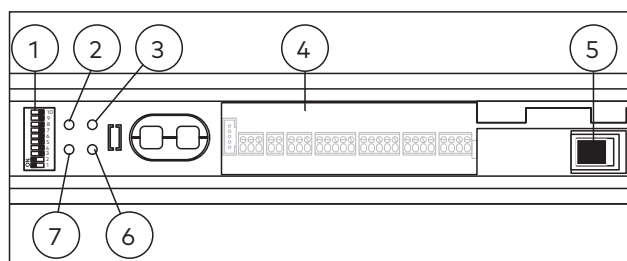


Fig. 3 Operating and display elements

- (1) DIP switches
- (2) LED operating display
- (3) Potentiometer for the hold-open time
- (4) Terminals for external devices (under the hinged cover)
- (5) Power switch
- (6) Potentiometer for the speed
- (7) Reset push button

### 3.3 Overview of the DIP switch settings

The DIP switches activate various inputs on the terminals and set operating modes.

DIP 10	ON	without function
	OFF	without function
DIP 9	ON	WC function active
	OFF	WC function inactive
DIP 8	ON	locking
	OFF	no locking
DIP 7	ON	increased end thrust
	OFF	gentle end thrust
DIP 6	ON	Permanently open operating mode active
	OFF	Automatic operating mode active
DIP 5	ON	outside push button active
	OFF	outside motion detector active
DIP 4	ON	inside push button active
	OFF	inside motion sensor active
DIP 3	ON	high sensor test active
	OFF	low sensor test active
DIP 2	ON	secondary closing edge test sensor active
	OFF	inactive
DIP 1	ON	main closing edge test sensor active
	OFF	inactive

### 3.4 Speed and hold-open time

#### Setting the speed



The maximum speed depends on the door leaf weight. The speed can be infinitely adjusted with the potentiometer.

#### Setting the hold-open time



After opening, the door closes automatically after expiry of the set hold-open time. The hold-open time can be infinitely adjusted with the potentiometer.

### 3.5 Operation modes

The CS 80 MAGNEO is delivered in automatic mode. To change the operating mode, an external program switch is required. This must be ordered separately.

#### 3.5.1 Off

The drive is switched off. The door can be opened and closed manually.

#### 3.5.2 Automatic

After a push button or radio transmitter's impulse or by manual pushing, the door is opened by the drive and closed again after the set hold-open time.

#### 3.5.3 Permanently open

After a push button or radio transmitter's impulse or by manual pushing, the door is opened by the drive and held in the open position until the closing command.

### 3.6 Functions of the door in automatic mode

The CS 80 MAGNEO is delivered in automatic mode. Depending on the trigger, the door is opened in different ways.

#### 3.6.1 Opening/Closing by Push & Go

Pushing the door open manually by at least 10 mm causes the door to continue moving automatically in the desired direction. The door closes automatically.

#### 3.6.2 Opening by push button (optional)

After pressing the push button (e.g. wall or radio button), the door is opened by the drive and closed again after the set hold-open time expires.

#### 3.6.3 Opening by sensors (optional)

When proximity sensors are connected, the door automatically opens as soon as a person approaches. The door closes automatically after the set hold-open time expires.

#### 3.6.4 Permanently open by double-click (optional)

Double-clicking on the push button (quickly and successively operating button twice) opens the door permanently. Another double-click or manual push-start closes the door. Permanently open by double-click is only possible with wired push buttons (not radio buttons).

#### 3.6.5 Express function

The drive allows a manual pushing of the door in the direction of travel without resistance. If the maximum speed is exceeded, the driving resistance is increased depending on the speed. After releasing, the door is gently braked to maximum speed. This function is active on all door movements.

### 3.7 WC function (optional)

The WC function is designed for use on a toilet door. The WC function ensures barrier-free access to the toilet. The WC function can be activated for private and public areas via the DIP switches on the control board.

#### 3.7.1 WC function private area

Inside, 1 activation and 1 locking button are mounted. Outside, 1 activation button is mounted. The door is locked by the motor with a force of approx. 50 N. There is no mechanical locking. An 'Engaged/Vacant' display in red and green can be optionally mounted outside and inside the toilet.

### 3.7.2 WC function public area

Inside, 1 activation and 1 locking button are mounted. Outside, 1 activation button is mounted.

The door is equipped with an electromechanical lock. An 'Engaged/Vacant' display in red and green are mounted outside and inside the toilet. An emergency switch can be optionally mounted under glass to open the door quickly in an emergency. dormakaba recommends that the barrier-free WC be additionally integrated into an emergency call system provided by the customer.

### 3.8 Power supply failure

The door can still be opened and closed manually in the event of a power supply failure.

If an electrical lock has been fitted this will release, enabling the door to be opened. When the power returns, the drive automatically carries out a positioning run

### 3.9 Safety functions

Static forces in low energy mode:

During opening and closing movement, max. 67 N is reached.

If the door encounters an obstacle during the opening movement, the door brakes immediately and stops for 3 seconds. Subsequently, the drive tries to open again. If the obstacle is removed, the door continues to move. If the obstacle is still present, the door closes after 2 further opening attempts and expired hold-open times. If the door encounters an obstacle during the closing movement, the door brakes immediately and opens again.

### 3.10 Safety sensors (optional)

In order to detect obstacles optically, sensors must be mounted to increase safety. The installation must be carried out by qualified technical personnel and in compliance with DIN 18650/EN 16005. With the DIP switches in the drive, an automatic test of these sensors is activated or deactivated in accordance with DIN 18650/EN 16005.

If the secondary closing edge sensor detects an obstacle during the opening movement, the door stops immediately. If the obstacle is removed, the door continues to open. If the obstacle is not removed, the door closes after the hold-open time has expired. If the main closing edge sensor detects an obstacle during the closing movement, the door stops immediately. When the door is closed, this function is not available (the sensor is deactivated).

### 3.11 Emergency open push button (optional)

If the Permanently open and Automatic inputs are switched simultaneously, the Permanently open mode is active.

This allows, for example, the connection of a key switch as a fire brigade access or the connection of an emergency open push button in parallel with a program switch.

### 3.12 Low energy mode (delivery state)

In low energy mode, DIN 18650/EN 16005 requires the force with which a door leaf hits an obstacle to be limited. The door is moved slowly accordingly. The speed can be further reduced via a potentiometer in the drive.

### 3.13 Full power mode

In full power mode, the forces are also limited. Due to the higher contact forces, the standard defines protective measures that must be implemented on site depending on the installation situation. The speed is infinitely adjustable via a potentiometer in the drive. The closing movement only happens in low energy mode.

### 3.14 Technical information

#### Mains connection:

Power supply:	220-230 V AC $\pm$ 10 %; 50/60 Hz
---------------	--------------------------------------

Fuse provided by customer:	10 A
----------------------------	------

Cable type:	3 x 1.5 mm <sup>2</sup>
-------------	-------------------------

#### Power consumption without external load:

Standby operation:	3.7 W
--------------------	-------

Automatic operation:	max. 60 W
----------------------	-----------

#### General:

Temperature range:	0–40 °C
--------------------	---------

Drive's operating noise:	max. 55 dB (A)
--------------------------	----------------

Door leaf height:	max. 3000 mm
-------------------	--------------

Door leaf weight:	20–80 kg
-------------------	----------

#### Drive weight:

max. area of movement	Drive length (without cladding)	Drive weight
875 mm	1750 mm	8.6 kg
1000 mm	2000 mm	9.4 kg
1125 mm	2250 mm	10.2 kg



### 3.15 Standards, laws, guidelines and regulations

The CS 80 MAGNEO is a low energy product according to DIN 18650/EN 16005. The DIN 18650/EN 16005 calls for the basic protection of an automatic door's area of movement through the use of safety sensors, among other things. Low energy products have special requirements. The CS 80 MAGNEO fulfills the requirements of a low energy drive within the meaning of the standard by complying with the following specifications:

- Reduced travel speeds (reduced dynamic door leaf/contact forces)
- Force limitation (reduced static door leaf/contact forces)

The standard DIN 18650/EN 16005 sets different specifications for safeguarding risks at closing edges.

The following applies to the use of the CS 80 MAGNEO:

- The door unit's additional protection is not mandatory.
- The use of safety sensors at the closing edges as additional protection is optional and at the discretion of the installer (see also "Risk assessment by installer").

Protection requirements according to standard DIN 18650/EN 16005 in full energy mode:

In this mode, the forces are also limited. Due to the higher contact forces, the standard defines protective measures that must be implemented on site depending on the installation situation.

## 4 Mounting

### 4.1 Safety during mounting



#### WARNING

##### **Danger to life through electric current**

Works on electrical systems must only be carried out by qualified electricians.

- Before starting work on electrical systems and equipment, establish a zero-potential condition and ensure this condition while carrying out the work.



#### WARNING

##### **Danger of injury from falling objects.**

Falling parts or tools can cause injury.

- Secure workplace against unauthorized entry.

### 4.2 General

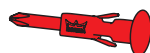
- The procedure described here is an example. Structural or local conditions, existing aids or other circumstances may make a different approach sensible.
- Use dowels and screws adapted to the substrate for fixing.
- These mounting instructions show the power connection on the right side of the door.
- The mounting of a drive with the connection on the left side takes place in mirror image.
- The connection side of the drive is always the closed position.
- Do not attach any switches, pictures, baseboards etc. to the wall in the door leaves' area of movement.
- When the end stop is released, always keep the drive level so that the end stop and the carriages do not fall out.
- Do not remove the carriage as it contains strong permanent magnets.

### 4.3 Requirements

- Make sure the floor is level.
- Only use safety glass for glass door leaves.

### 4.4 Tools required

To set the speed and hold-open time, a red screwdriver is included.



## 4.5 Mains connection

### 4.5.1 Mounting with mains plug

The earthing contact socket must be mounted within 2200 mm and be accessible by hand after mounting.

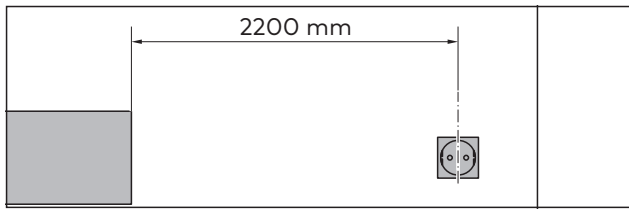


Fig. 4 Mounting with earthing contact socket

### 4.5.2 Mounting with fixed connection



#### ATTENTION

##### Risk of damage to leads

Sharp-edged drill holes or drill holes that are too small may damage the leads.

- Lay out spacious drill holes for the leads and ensure that the drill holes are not sharp-edged!

The connection cables must protrude from the wall directly next to the connection side of the drive.

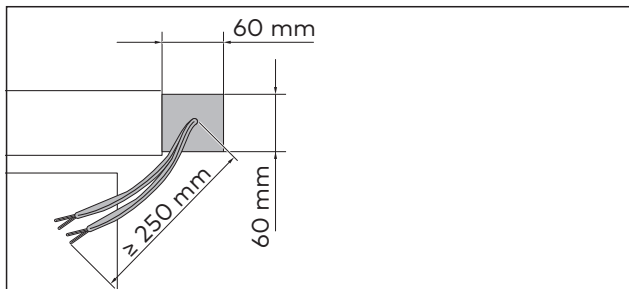


Fig. 5 Mounting with fixed connection

## 4.6 Mounting on the wall

If a door frame is present, the bracket must be underlaid with the optionally available lining plate. Dimension L (length of drive and mounting bracket) is measured without end caps.

### 4.6.1 Mark the auxiliary lines for positioning

- The closed position is always on the connection side.
- Dimension L (length of drive and mounting bracket) is measured without end caps.

### 4.6.1.1 Mark vertical reference lines

1. Mark the center of the passage on the wall.

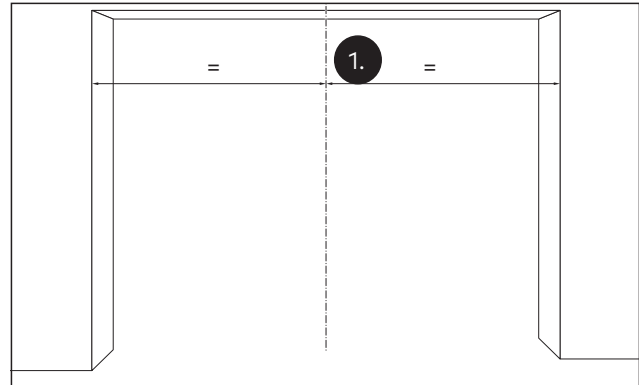


Fig. 6 Determine the center of the passage

2. If the door leaf is to be positioned off-center, mark another auxiliary line offset. If the door leaf is not positioned in the center of the passage, the bracket and/or the lining plate must be offset by the appropriate dimension during mounting. Take the dimension  $L/4$  for the corresponding drive length L from the table.

max. area of movement	875 mm	1000 mm	1125 mm
L	1750 mm	2000 mm	2250 mm
L/4	437.5 mm	500 mm	562.5 mm

3. Mark the reference line. The reference line is always drawn on the side of the main closing edge.

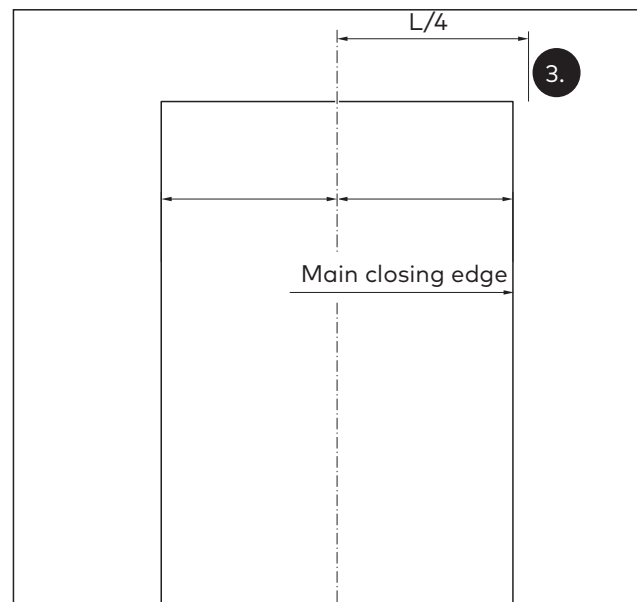


Fig. 7 Marking the reference line



### 4.6.1.2 Mark horizontal reference lines

1. Determine the highest point of the floor in the leaves' area of movement.

**i** **TIPS AND RECOMMENDATIONS**

Use leveling device.

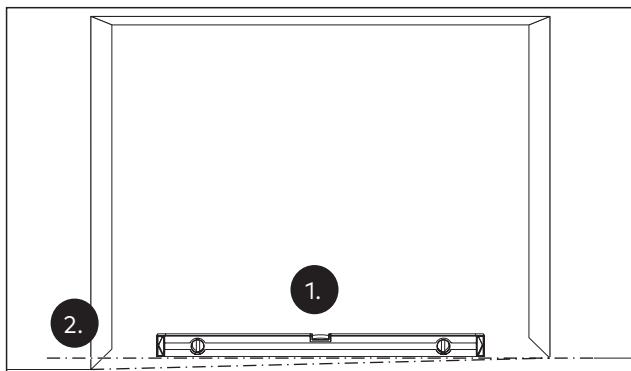


Fig. 8 Determine the highest point in the area of movement

2. Transfer the highest point of the floor to the wall.
3. Mark the top edge of the mounting bracket with the distance X from the highest point of the floor in the area of movement on the wall.

Door leaf version	Dimension X
Full-leaf door	Door leaf height + 78 mm
Glass holding rail	Glass pane height + 85 mm
MANET glass holder	Glass pane height + 74 mm

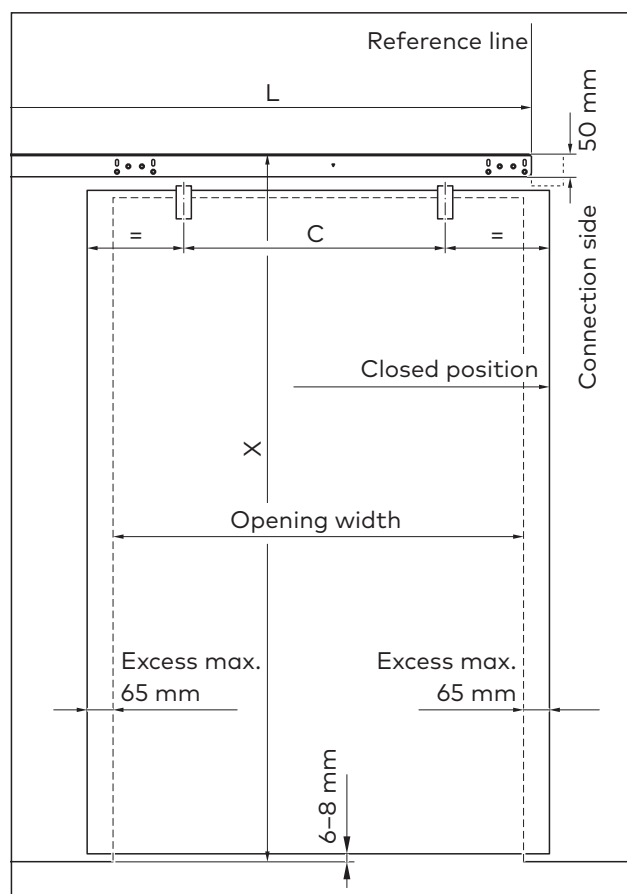


Fig. 9 Mark the distance X on the wall

### 4.6.2 Mount the mounting bracket

**i** **ATTENTION**

Before starting work, make sure that there are no pipes or leads in the drill holes' area.

**i** **ATTENTION**

Use dowels and screws suitable for the substrate to fix the mounting bracket. The mounting bracket's load-bearing capacity must be at least 240 kg.

**i** **TIPS AND RECOMMENDATIONS**

If there is a door frame, underlay the lining plate so that the lining plate and the door frame are flush.

### 4.6.2.1 Mounting without lining plate

1. Position the mounting bracket with the triangle's lower point on the center line.
2. Align the mounting bracket horizontally.

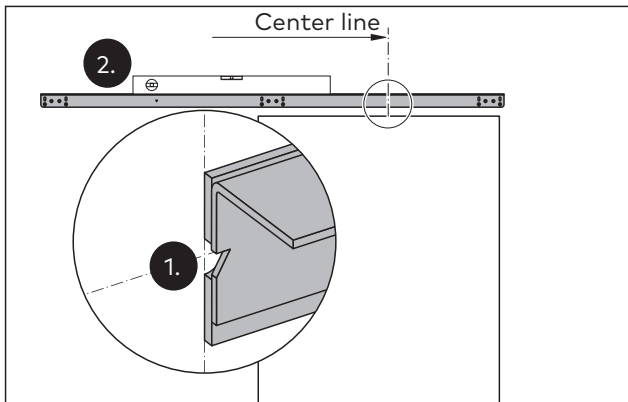


Fig. 10 Position and align the mounting bracket

3. Fix the mounting bracket.
4. Drill the holes through the drill holes in the mounting bracket.
5. For uneven walls, underlay the mounting bracket with the supplied spacer plates.

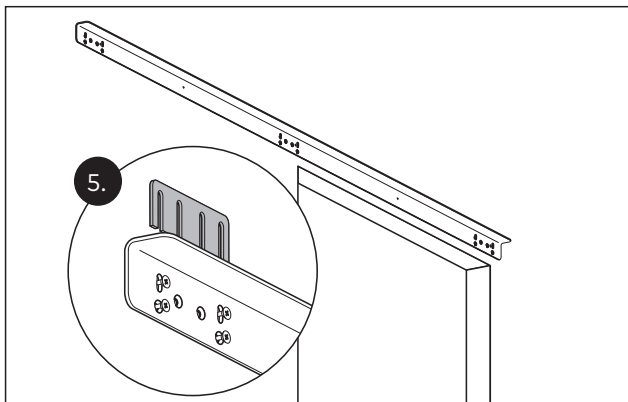


Fig. 11 Underlay the mounting bracket

6. Screw the mounting bracket on with at least 12 screws.

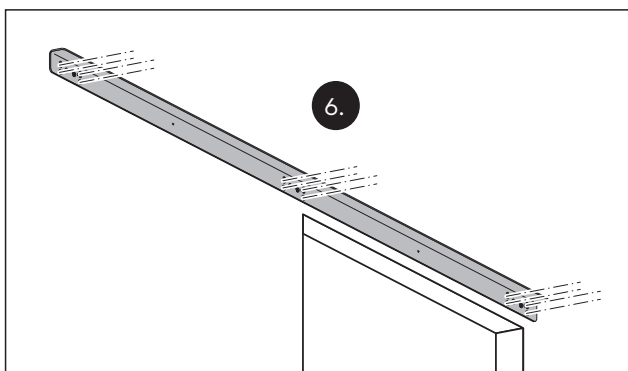


Fig. 12 Screw the mounting bracket on

### 4.6.2.2 Mounting with lining plate

1. Position the lining plate on the reference line.

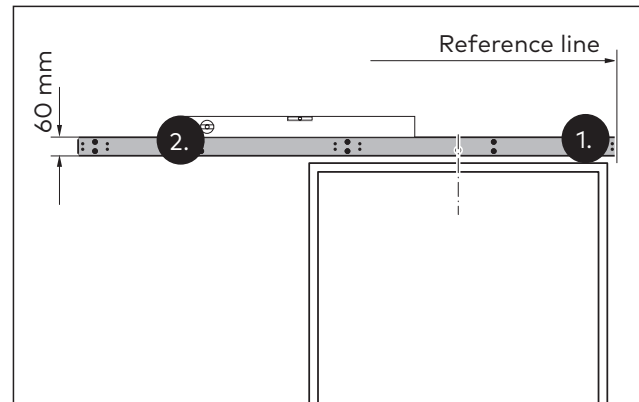


Fig. 13 Position and align the lining plate

2. Align the lining plate horizontally.
3. Fix the lining plate.
4. Drill the holes through the lining plate.
5. Underlay the lining plate with spacer plates until the frame and the lining plate are flush.

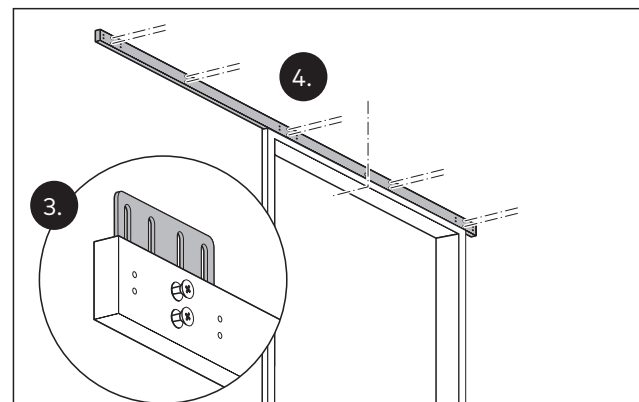


Fig. 14 Screw the lining plate on

6. Screw the lining plate on.
7. Fix the mounting bracket to the lining plate with 12 screws.

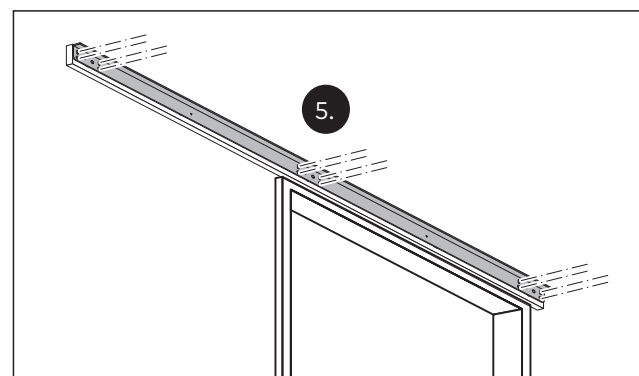


Fig. 15 Screw the mounting bracket on

### 4.6.3 Mount the drive

1. Stick 3 pieces of felt evenly distributed on the mounting bracket.

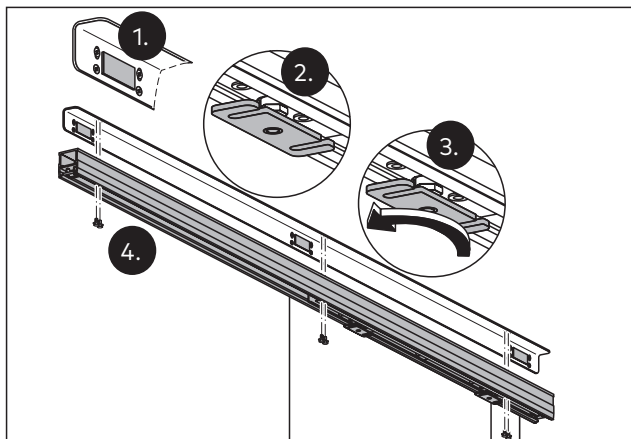


Fig. 16 Mount the drive

2. Align the door leaf connections with the opening towards the front.
3. When using MANET fittings, the door leaf connections must be unscrewed.
4. Screw the drive on with 6 locking screws under the mounting bracket (8 Nm). Move the carriage to access all 6 holes if necessary.

### 4.6.4 Mount the door leaf



#### ATTENTION

**Risk of damage to the glass components by contact with hard materials (e.g. glass, metal, concrete).**

Contact may lead to damaged edges and/or broken glass.

- Avoid contact with hard materials.

1. Hang the door leaf in the door leaf receptacle. When using MANET fittings, follow the manual supplied with the MANET fittings.

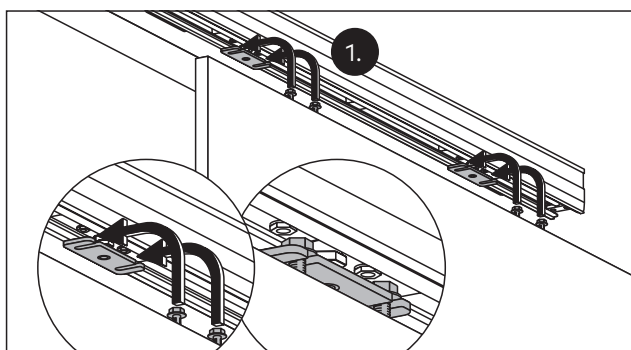


Fig. 17 Hanging the door leaf

2. Align the door leaf with a maximum distance of 8 mm **parallel** to the wall. When aligning, make sure the door leaf can be moved without dragging.

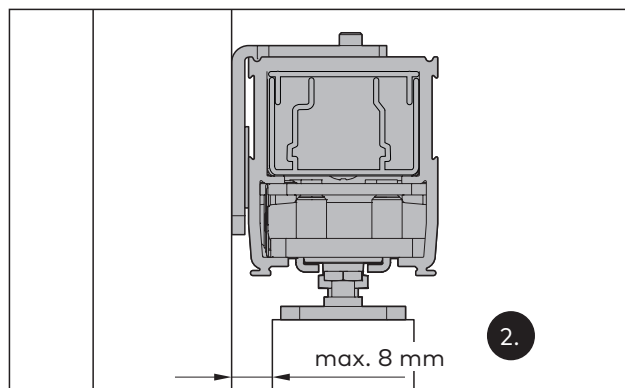


Fig. 18 Align the door leaf

3. Screw the door leaf on.
4. Mount the supplied floor guide, referring to the manual enclosed with the floor guide.

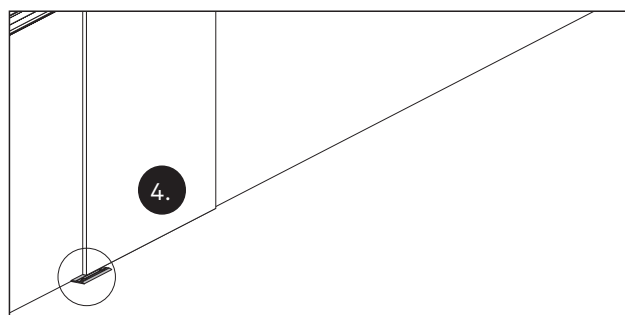


Fig. 19 Mount the floor guide

5. Adjust the height of the door leaf with the adjusting nuts so that the door leaf hangs horizontally and the distance to the ground is between 6 and 8 mm.

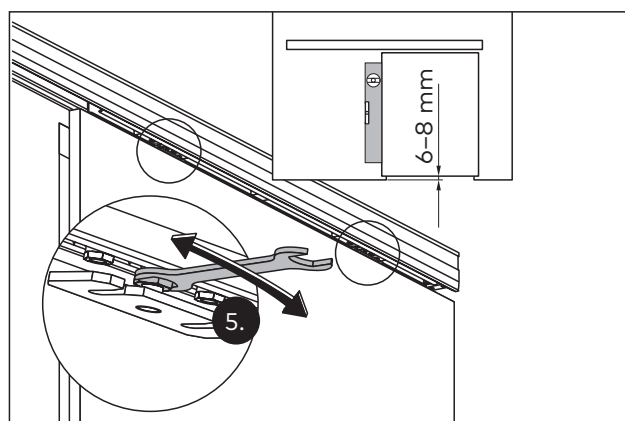


Fig. 20 Adjust the height of the door leaf

### 4.6.5 Set end stops

max. area of movement	max. dimension Y
875 mm	200 mm
1000 mm	250 mm
1125 mm	300 mm

1. Loosen the screws on the end stop on the connection side.

**Attention!**  
Do not allow the end stop to protrude outwards! Only move the end stop inwards to a limited extent!

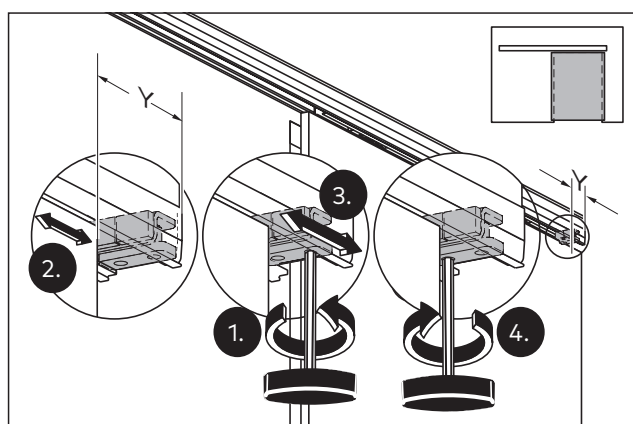


Fig. 21 Position the end stop on the connection side

2. Move the door to the desired closed position, observing dimension Y.
3. Push the end stop against the door
4. Screw the end stop on (5 Nm).
5. Loosen the screws on the end stop on the other side.

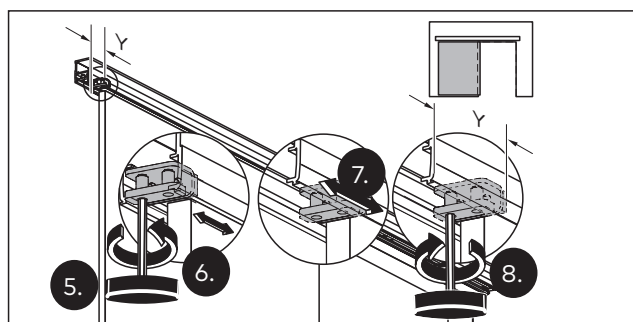


Fig. 22 Position the end stop in the open position

6. Push the door to the desired open position, observing dimension Y.
7. Push the end stop against the door.
8. Screw the end stop on (5 Nm).

9. Attach the dormakaba logo in the drill holes. Depending on the structural conditions, shorten or break off the end caps at the predetermined breaking points.

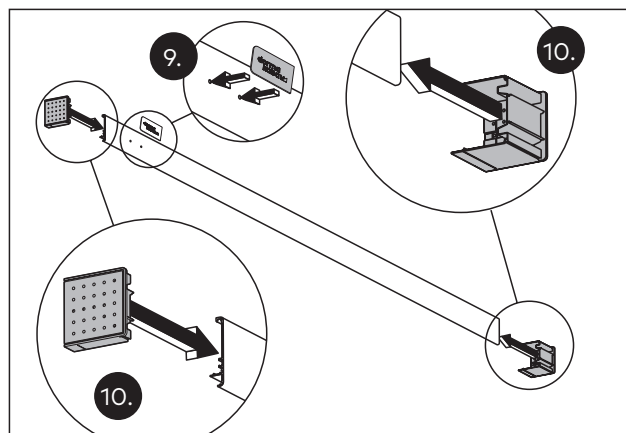


Fig. 23 Mount the end caps

10. Put the end caps in the cladding.
11. If a radio receiver, program switch and/or sensors are connected, install them now and route the leads according to the enclosed instructions.
12. Stick the enclosed sponge rubber pieces evenly distributed on the drive.

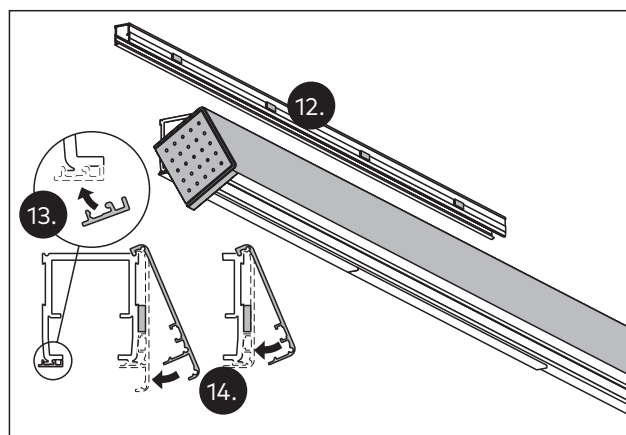


Fig. 24 Insert the end caps into the cladding

13. Insert the black wall connection profiles onto the drive. Cut the last profile to length with a knife.
14. Place the cladding on the drive and snap into place.

→ **The CS 80 MAGNEO is mounted.**

### 4.7 Mounting in the wall

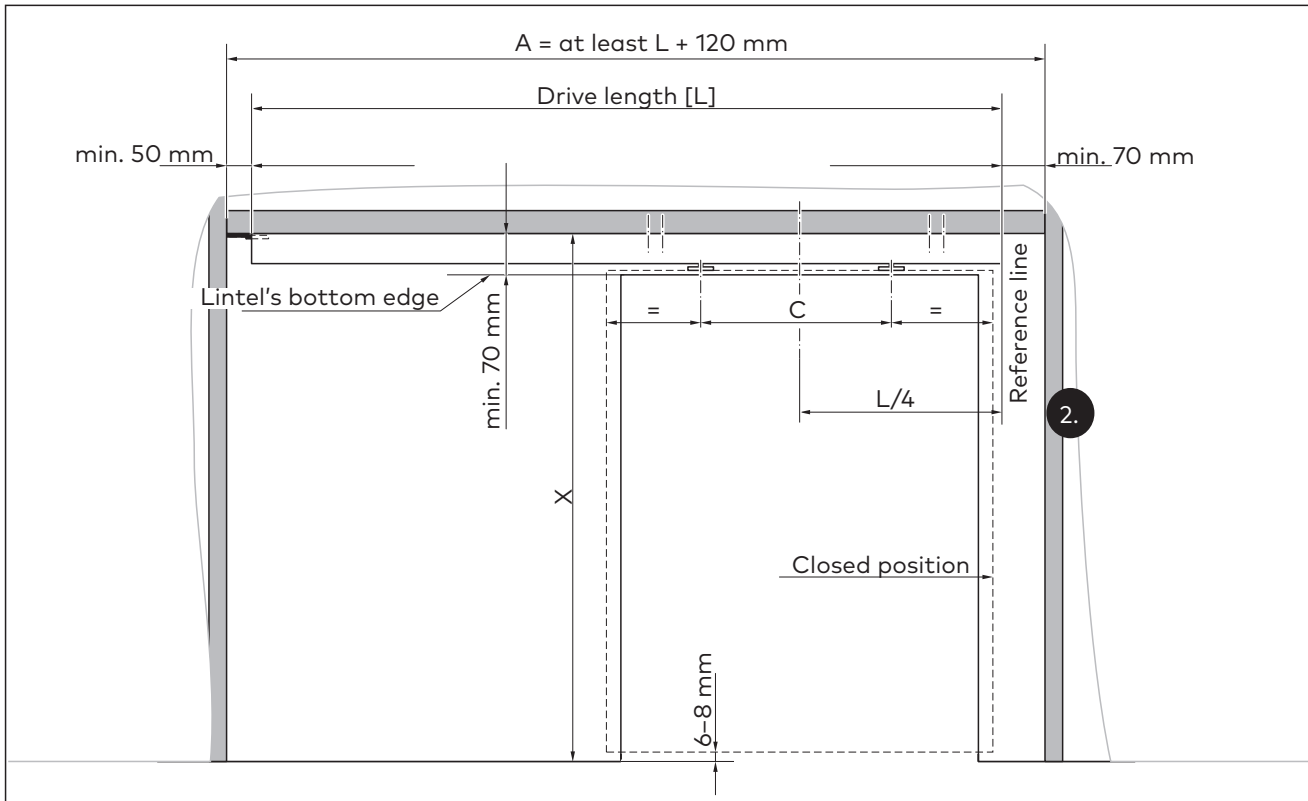


Fig. 25 Overview of mounting in the wall

**1**

**TIPS AND RECOMMENDATIONS**

Do not close up the wall until the CS 80 MAGNEO has been installed.

Door leaf version	Dimension X
Full-leaf door	Door leaf height + 75 mm
Glass holding rail	Glass pane height + 81 mm

#### 4.7.1 Mark the auxiliary lines for positioning

The closed position is on the connection side. The dimension L/4 indicates the distance from the center of the passage to the drive's connection side.

1. Mark the center of the passage on the wall.

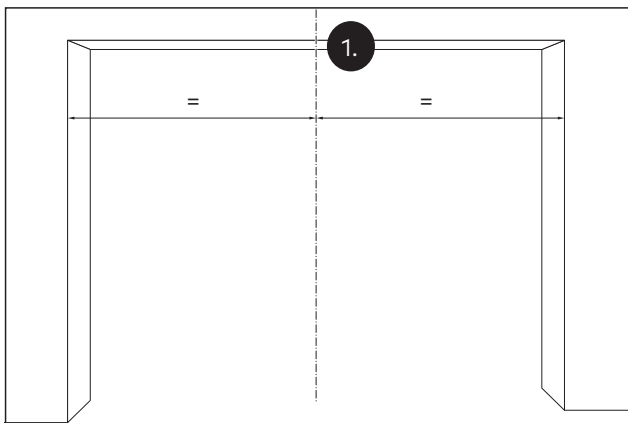


Fig. 26 Determine the center of the passage

2. Mark the reference line. The reference line is always drawn on the side of the closed position. The dimensions for the drive can be taken from the drawing and the table.

L	1750 mm	2000 mm	2250 mm
L/4	437.5 mm	500 mm	562.5 mm
A	≥ 1870 mm	≥ 2120 mm	≥ 2370 mm
C	575 mm	700 mm	825 mm

- Determine the highest point of the floor in the leaves' area of movement with a leveling device.

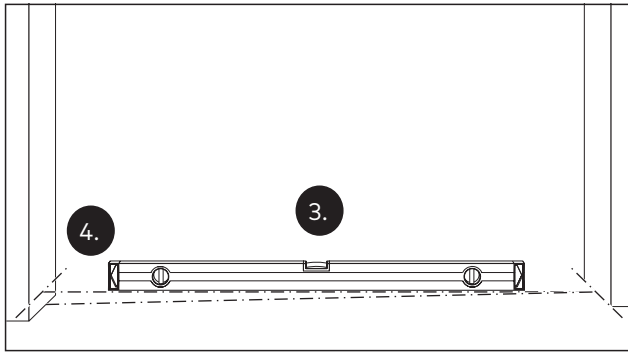


Fig. 27 Determine the highest point in the area of movement

- Transfer the point to the wall.
- Measure and mark dimension X from the highest point of the floor in the area of movement.

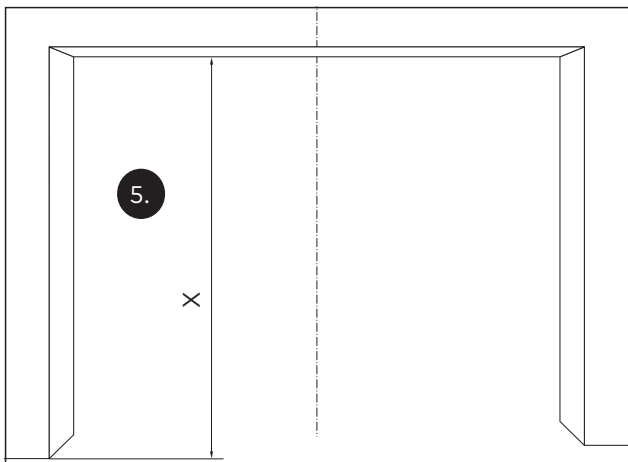


Fig. 28 Mark the distance X on the wall

#### 4.7.2 Mount the drive



#### WARNING

##### Risk of injury due to incorrect fixing materials!

If unsuitable fixing materials are used, there is a risk that components may tear out.

- Use dowels and screws that are suitable for the existing structure.
- The drive fastening's load-bearing capacity must be at least 240 kg.

- Move the drive to the desired position. The drive's connection side must face the lug.
- Mark the end of the drive.

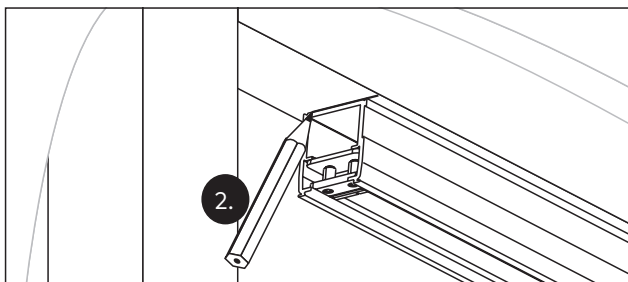


Fig. 29 Mark the end of the drive

- Mark another line at a distance of 43 mm.

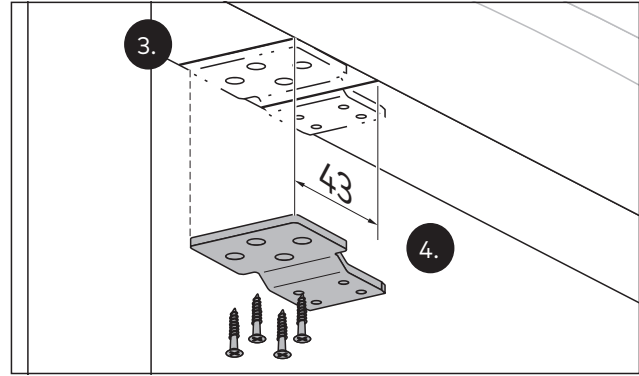


Fig. 30 Screw the fixing lug on

- Place the fixing lug on the 2nd line and mark the drill holes.
- Drill the holes and screw the fixing lug on.



#### ATTENTION

##### Risk of damage to components due to sagging.

The drive's weight can lead to the fixing lug sagging.

- Hold the drive in place.

- Push the drive into the fixing lug until it stops.

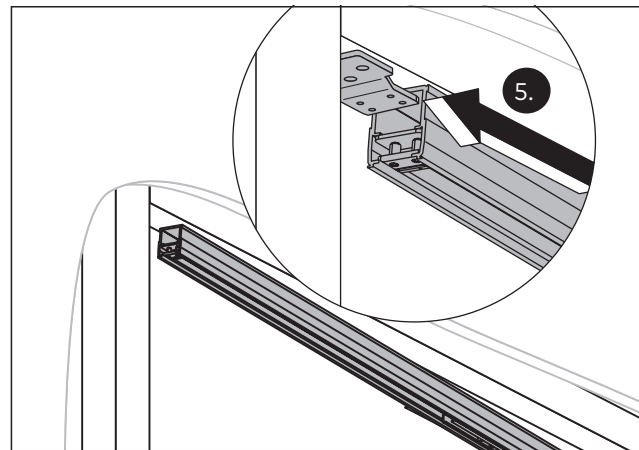


Fig. 31 Push the drive into the fixing lug

- #### Attention!

Align the drive horizontally and parallel to the wall!

8. Mark the fixing holes through the drive's holes. Move the carriage to access all 4 holes if necessary.

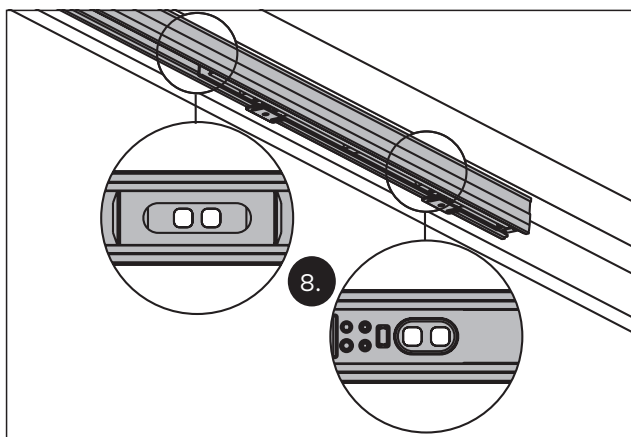


Fig. 32 Mark the fixing holes

9. Take down the drive.
10. Drill the marked holes. Drill  $\varnothing$  4.2 mm for the enclosed sheet-metal screws. The sheet thickness must be at least 2 mm.
11. Push the drive into the fixing lug until it stops.

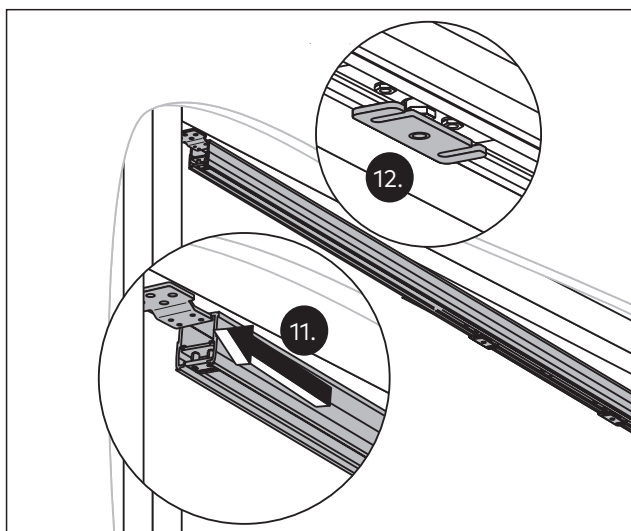


Fig. 33 Check the position of the door leaf connection

12. Align the door leaf connections with the opening towards the front.
13. Screw the drive on under the crossbeam.

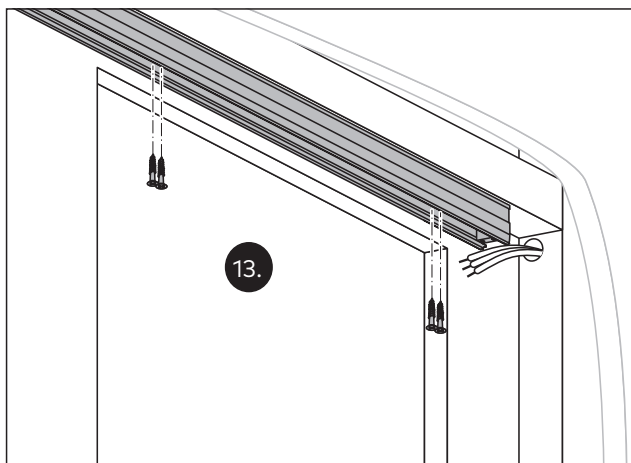


Fig. 34 Screw the drive on

### 4.7.3 Mount the door leaf



#### ATTENTION

**Risk of damage to the glass components by contact with hard materials (e.g. glass, metal, concrete).**

Contact may lead to damaged edges and/or broken glass.

- Avoid contact with hard materials.

1. Hang the door leaf in the door leaf receptacle.

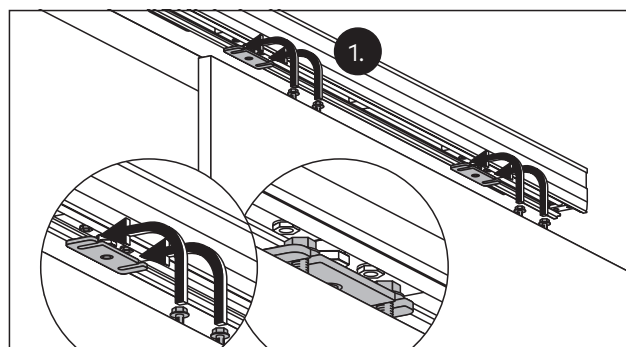


Fig. 35 Hanging the door leaf

2. Align the door leaf with a maximum distance of 8 mm parallel to the wall. When aligning, make sure the door leaf can be moved without dragging.

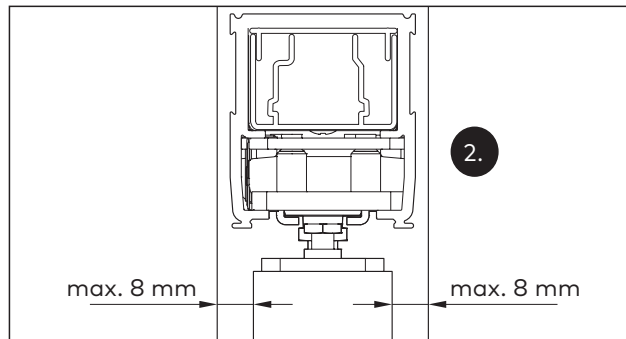


Fig. 36 Align the door leaf

3. Screw the door leaf on.
4. Open the door.
5. Mount the supplied floor guide, referring to the manual enclosed with the floor guide.

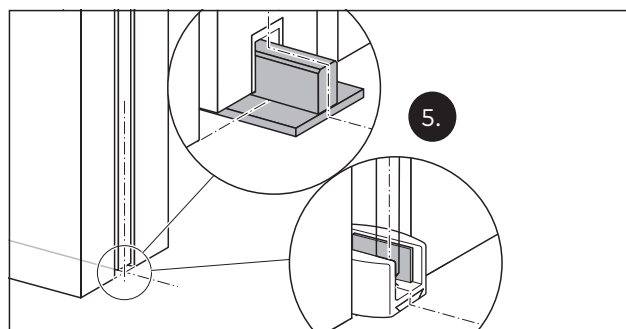


Fig. 37 Mount the floor guide



- Adjust the height of the door leaf with the adjusting nuts so that the door leaf hangs horizontally and the distance to the ground is between 6 and 8 mm.

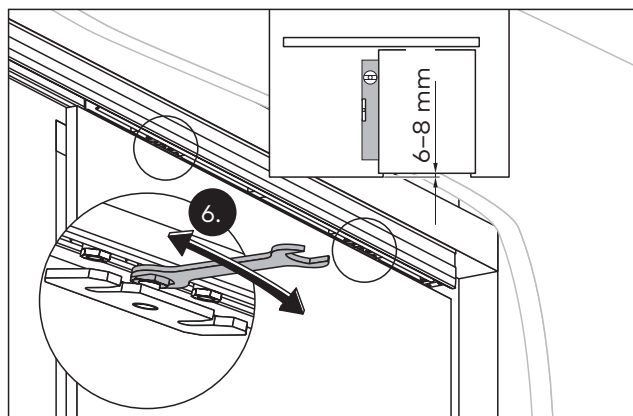


Fig. 38 Adjust the height of the door leaf

#### 4.7.4 Set end stops

max. area of movement	max. dimension Y
875 mm	200 mm
1000 mm	250 mm
1125 mm	300 mm

- Loosen the screws on the end stop on the connection side..



**Attention!**

Do not allow the end stop to protrude outwards! Only move the end stop inwards to a limited extent!

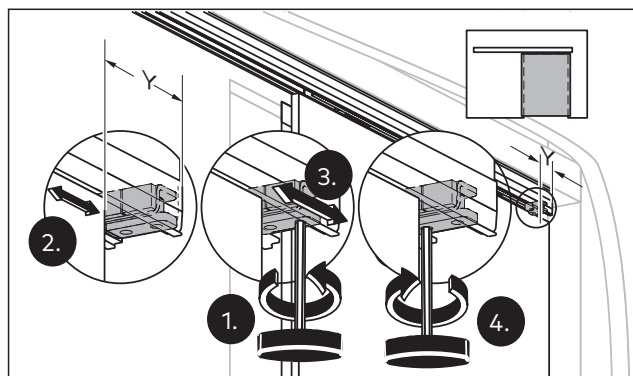


Fig. 39 Position the end stop on the connection side

- Move the door to the desired closed position, observing dimension Y.
- Push the end stop against the door
- Screw the end stop on (5 Nm).

- Loosen the screws on the end stop on the other side.

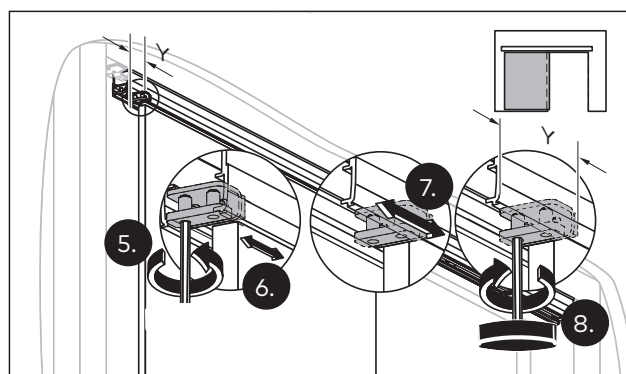


Fig. 40 Position the end stop in the open position

- Push the door to the desired open position, observing dimension Y.
- Push the end stop against the door.
- Screw the end stop on (5 Nm).
- If a radio receiver, program switch and/or sensors are connected, install them now and route the leads according to the enclosed instructions.

→ **The CS 80 MAGNEO is mounted.**

## 5 Make the mains connection

1. **Warning!** Disconnect the power supply before mounting!

2. **Warning!** Turn the power switch to OFF!

3. Mark the end stop's position on the connection side.

### 5.1 Mounting with mains plug

1. Use the mains connection cable to establish the connection between the connection socket in the drive and the earthing contact socket.

### 5.2 Mounting with fixed connection

1. Loosen the screws on the end stop on the connection side.
2. Push the end stop towards the center of the drive.
3. Unscrew the screw from the cover on the drive's connection side.  
Keep the cover and screw, as both will be needed later.

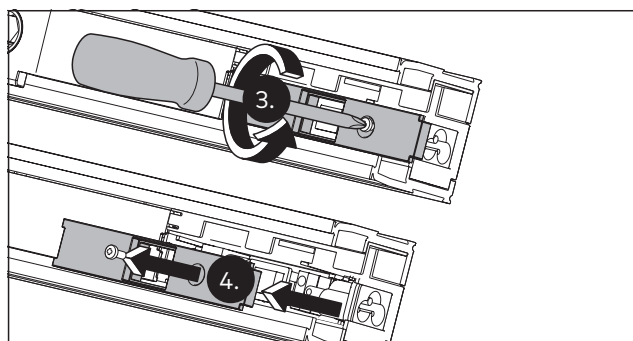


Fig. 41 Remove the cover

4. Remove the cover.
5. Carefully open the cover from the control housing with the tip of a flat-bladed screwdriver.

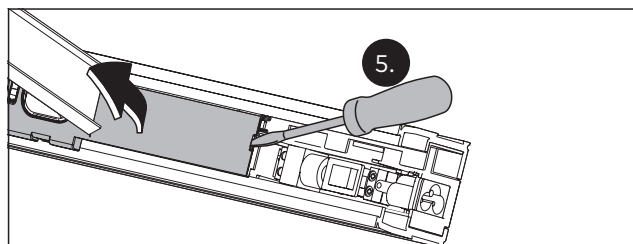


Fig. 42 Open the cover

6. Loosen the screws on the terminals.

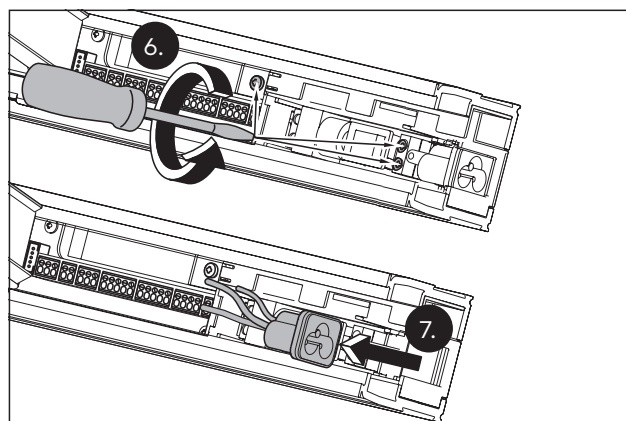


Fig. 43 Pull out the connection socket

7. Pull out the internal connection socket.
8. Cut the leads L1 and N to length, strip them and connect them to the mains connection terminals.

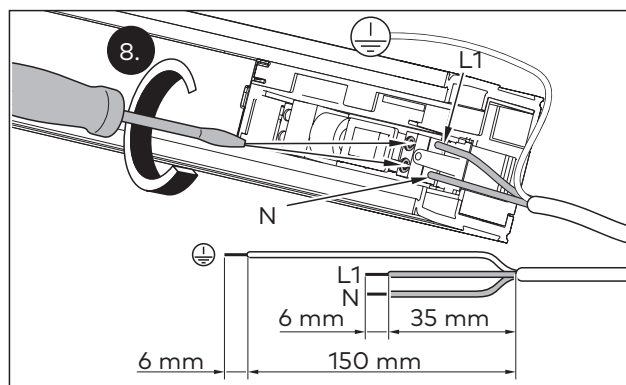


Fig. 44 Connect leads L1 and N.

9. **Warning!** Pass the earthing wire through the control housing and connect it to the earthing terminal!

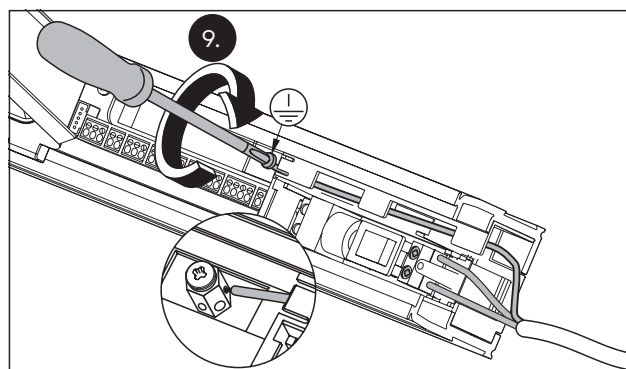


Fig. 45 Connect the earthing terminal

10. Close the cover of the control housing.

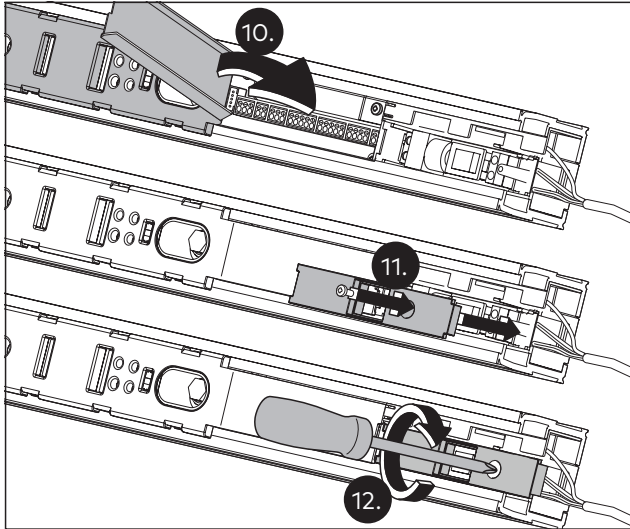


Fig. 46 Close the cover

11. Attach the cover of the mains connection.

12. Screw the mains connection's cover on.

13. Slide the end stop to the position mark.

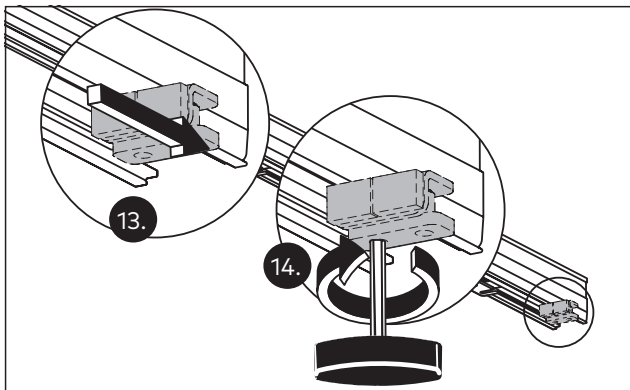


Fig. 47 Screw the end stop on

14. Screw the end stop on.

## 6 Commissioning

The visual feedback takes place via the LED operating display.

### 6.1 Requirements

- The CS 80 MAGNEO is completely mounted.
- The door can easily be moved over the entire area of movement.

### 6.2 Carry out a learning cycle

The values saved during the learning cycle are overwritten on a new learning cycle.



#### TIPS AND RECOMMENDATIONS

Do not interrupt the learning cycle as all necessary values are being determined.

1. Open the door.
2. Switch on the drive.
  - ▶ LED flashes green (Fig. 48/1).

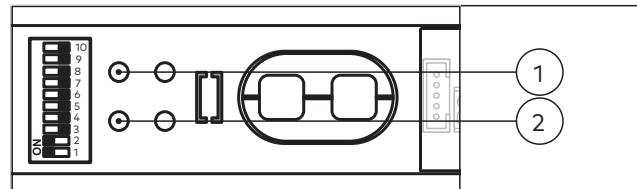


Fig. 48 Start learning cycle

3. Press the reset button on the drive for more than 3 seconds (Fig. 48/2).
  - ▶ The door opens and closes twice, the LED flashes green.
  - ▶ After that the LED lights up green permanently.
  - ▶ The CS 80 MAGNEO is ready for operation and operates in low energy mode.

## 6.3 Set speed and hold-open time



### ATTENTION

#### Risk of damage to the potentiometer.

The potentiometers can be damaged by excessive forces.

- Please only use the enclosed red screwdriver for settings!

1. Set the speed on the speed potentiometer (Fig. 49/1).

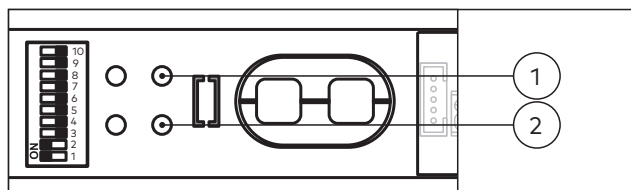


Fig. 49 Set the speed and the hold-open time

2. Set the hold-open time on the hold-open time potentiometer (Fig. 49/2).

### 6.3.1 Increase end thrust

If the door does not close properly due to existing seals, it is possible to increase the force with which the drive presses the door into the seal.

1. To activate the function, set the DIP switch 7 to the ON position.

## 6.4 Switch to full energy mode



### CAUTION


#### Risk of injury from crushing, shearing, bumping or pulling

Increasing the speed in full energy mode results in increased forces. Depending on the result of the risk assessment at the installation location, the closing edges must be protected by safety sensors.

- The conversion may only be carried out by authorized qualified technical personnel.

1. Use the sealed switch in the drive to switch from low power mode to full energy mode.

## 7 Connect optional accessories

- 
**Warning!**  
 Turn the power switch to OFF!

### 7.1 Terminal assignment for units without WC controls

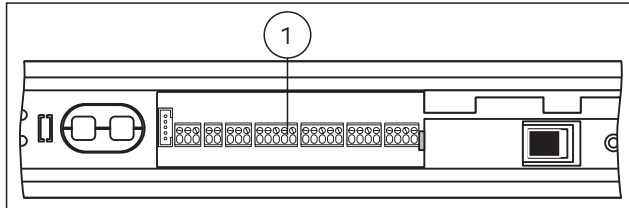
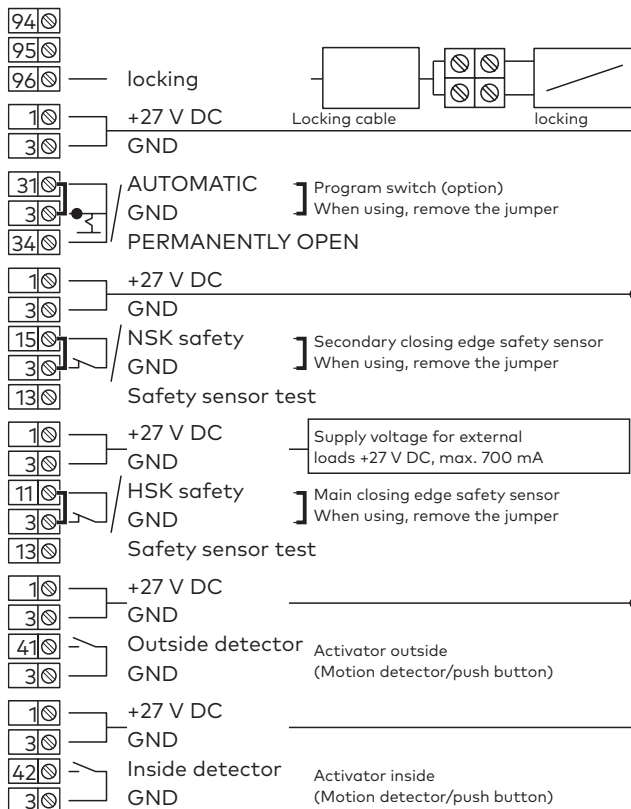


Fig. 50 Connection terminals

#### TIPS AND RECOMMENDATIONS

To connect the leads more easily, remove the individual terminal blocks with pointed pliers.



### 7.2 Connect accessories

- Carefully open the cover from the control housing with the tip of a flat-bladed screwdriver.
- Strip the supply leads of external devices (sensors, switches, etc.).

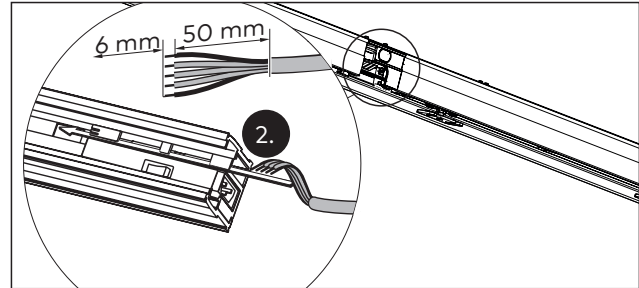


Fig. 51 Strip the supply leads

- Lay the supply lines in the cable duct (see Fig. 52 to Fig. 54).

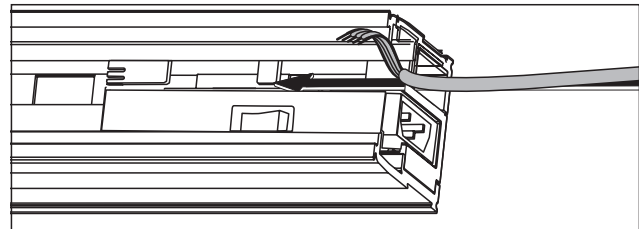


Fig. 52 Lay the supply lines in the cable duct

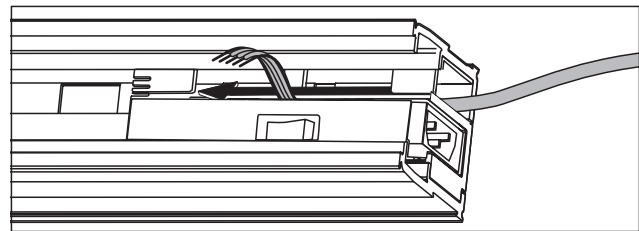


Fig. 53 Lay the supply lines in the cable duct

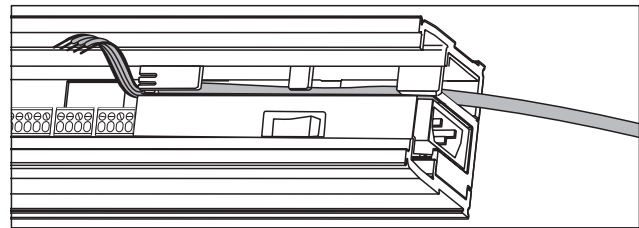


Fig. 54 Lay the supply lines in the cable duct

- Connect the accessories according to "Terminal assignment for units without WC controls".
- Connect the WC control according to "Connect the optional WC control".
- Close the cover of the control housing.

### 7.2.1 Connecting the optional closing edge protection

1. Connect the closing edge protection according to the wiring diagram or connection plan.

	bn	bu	gy	pk	rd	wh
Prosecure Opti Scan 1 on the main closing edge	1	3	3	13	11	3
Prosecure Opti Scan 1 on the secondary closing edge	1	3	3	13	15	3
IXIO ST on the main closing edge	1	3	3	13	11	3
IXIO ST on the secondary closing edge	1	3	3	13	15	3

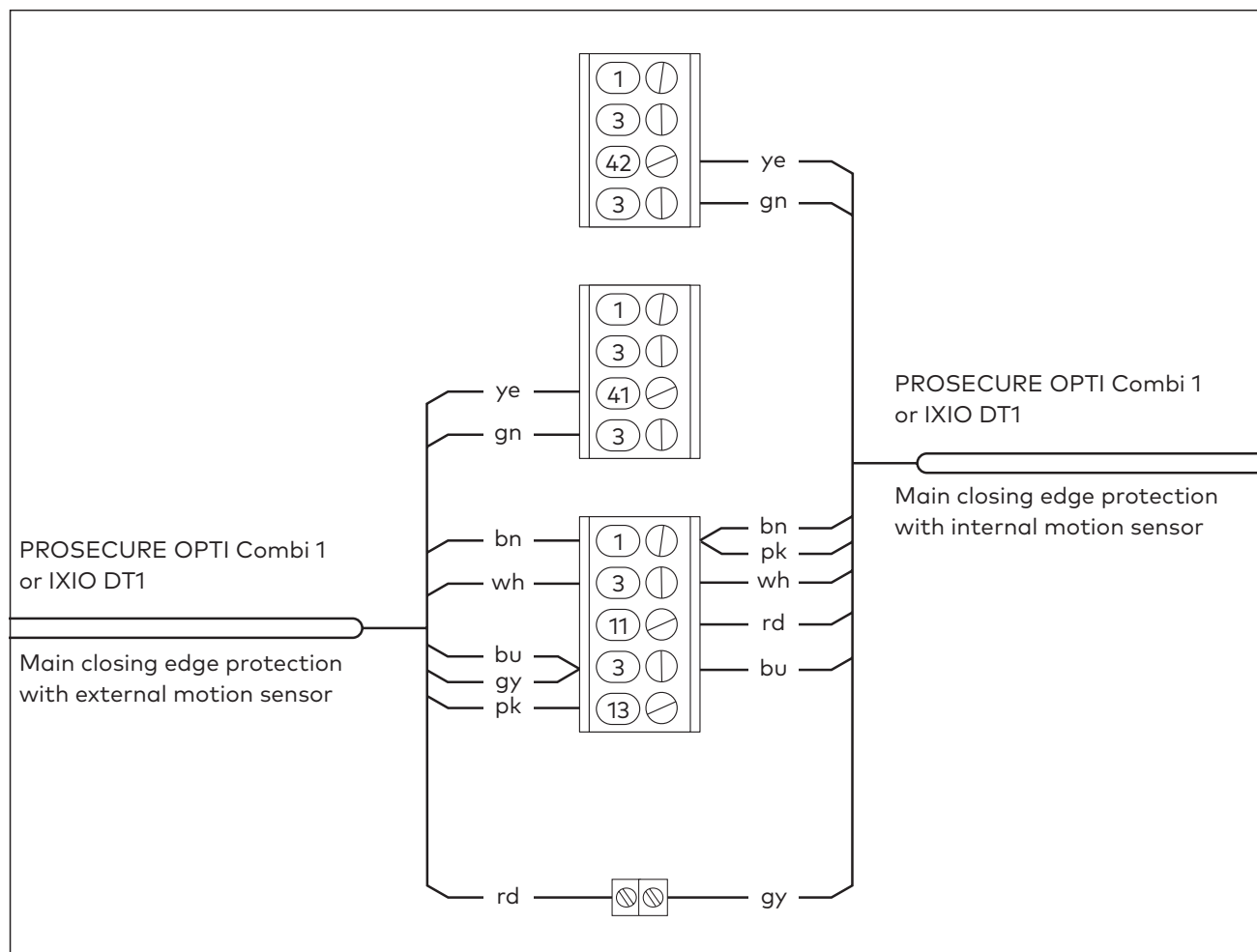


Fig. 55 Wiring diagram of two instances of closing edge protection with motion sensors connected in series

### 7.2.2 Connect the optional WC control

1. Connect the WC control according to the wiring diagram. WC public area (Fig. 56), WC private area (Fig. 57). The connection diagrams are exemplary.

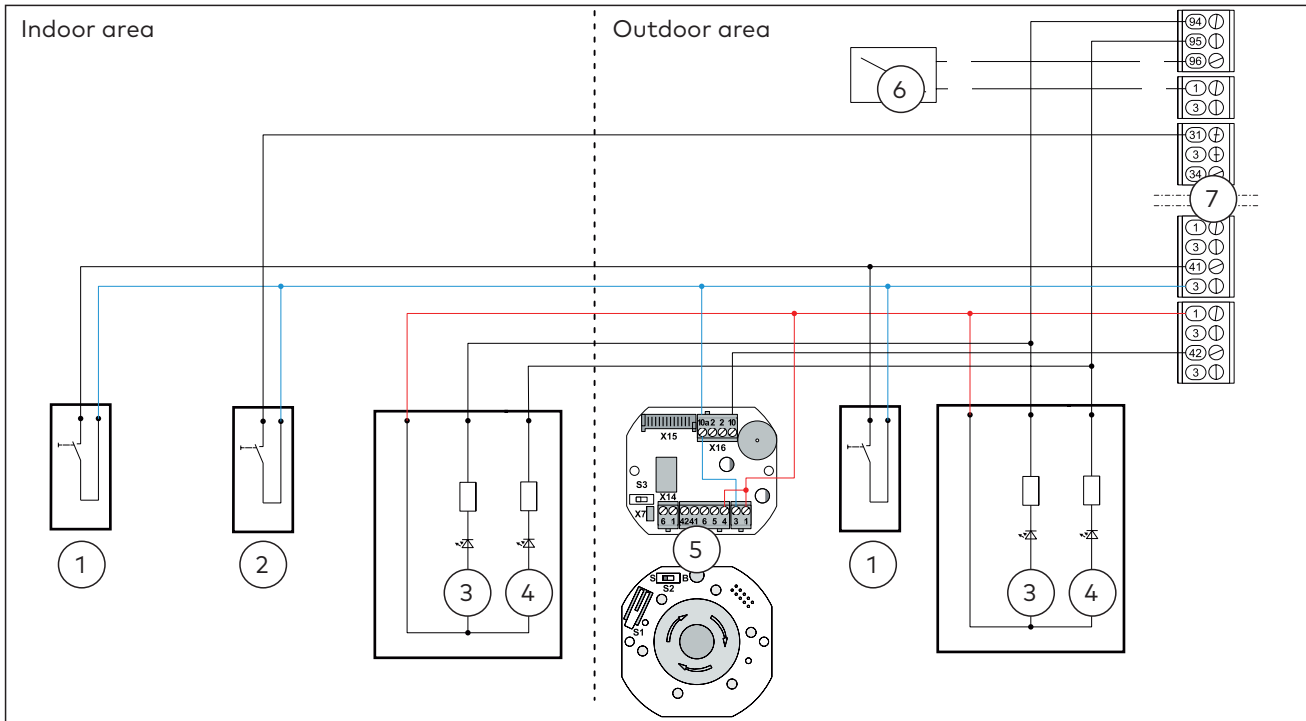


Fig. 56 Example connection diagram WC public area

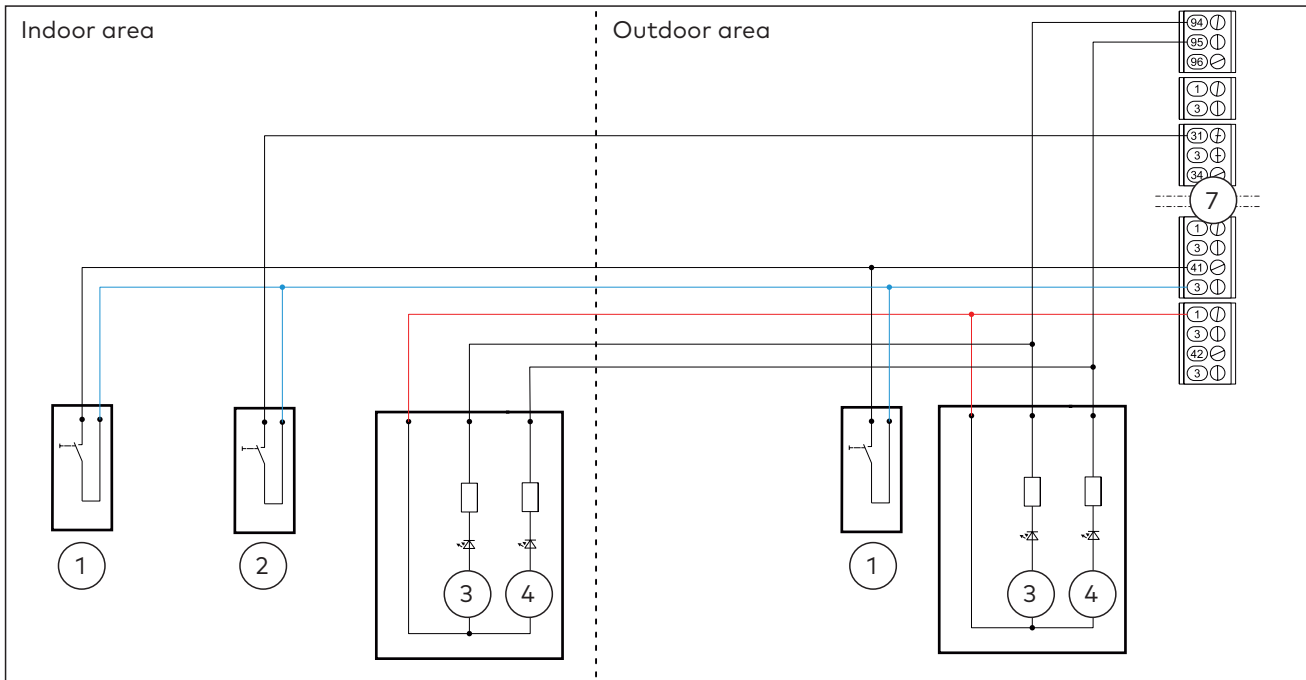


Fig. 57 Example connection diagram WC private area

- (1) Push button for the opening pulse
- (2) Push button for locking/unlocking
- (3) LED display red
- (4) LED display green
- (5) Key switch/Emergency switch
- (6) locking
- (7) Terminal block, see chapter 5



## 8 Commissioning

The visual feedback takes place via the operating display (LED).

### 8.1 Requirements

- The optional accessory is mounted and connected.

### 8.2 Set functions and operating modes

The DIP switches activate various inputs on the terminals and set operating modes.

DIP 10	ON	without function
	OFF	without function
DIP 9	ON	WC function active
	OFF	WC function inactive
DIP 8	ON	locking
	OFF	no locking
DIP 7	ON	increased end thrust
	OFF	gentle end thrust
DIP 6	ON	PERMANENTLY OPEN operating mode active
	OFF	AUTOMATIC operating mode active
DIP 5	ON	outside push button active
	OFF	outside motion detector active
DIP 4	ON	inside push button active
	OFF	inside motion sensor active
DIP 3	ON	High test active
	OFF	Low test active
DIP 2	ON	secondary closing edge test sensor active
	OFF	inactive
DIP 1	ON	main closing edge test sensor active
	OFF	inactive

#### 8.2.1 Permanently open by double-click

This function is only possible with a push button.

1. To activate the function, set the DIP switches 4 and/or 5 on the control to the ON position.

#### 8.2.2 Open/close at the touch of a button

This function is only possible with a push button or via Push & Go.

1. To activate the function, set the DIP switches 4, 5 and 6 to the ON position.

#### 8.2.3 Activate WC function

When using the WC function, the following options are not possible:

- connecting a program switch.
- opening/closing the door at the touch of a button.
- increasing end thrust.

#### 8.2.3.1 For private areas

1. To activate the function, set the DIP switch 8 to the OFF position and set the DIP switch 9 to the ON position.

#### 8.2.3.2 For public areas

1. To activate the function, set the DIP switches 8 and 9 to the ON position.

#### 8.2.4 Secure closing edges

If sensors are connected to the main and/or the secondary closing edge, the control must be set to the sensors via the DIP switches.

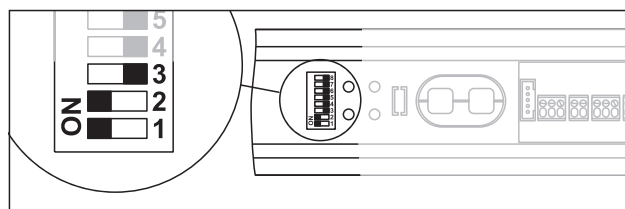


Fig. 58 DIP switches

If a sensor is connected to the main closing edge:

1. Set the DIP switch 1 to ON and switch the DIP switch 3 depending on the polarity of the test signal of the sensor used (usually to Off) (see chapter 8.2).

If a sensor is connected to the secondary closing edge:

1. Set the DIP switch 2 to ON and switch the DIP switch 3 depending on the polarity of the test signal of the sensor used (usually to Off) (see chapter 8.2).

If several sensors are connected to the main and secondary closing edges:

1. Set the DIP switches 1 and 2 to ON and switch the DIP switch 3 depending on the polarity of the test signal of the sensor used (usually to Off) (see chapter 8.2).

#### 8.2.5 Emergency stop

If the Permanently open (terminal 34) and automatic (terminal 31) inputs are switched to GND (terminal 3) at the same time, the Permanently open operation mode is active. This allows, for example, the connection of a key switch as a fire brigade access or the connection of an emergency push button in parallel with a program switch.

#### 8.2.6 End thrust

If the door does not close properly due to existing seals, it is possible to increase the force with which the drive presses the door into the seal. To activate the function, set the DIP switch 7 on the control to the ON position.

### 8.3 Carry out a learning cycle

The values saved during the learning cycle are overwritten on a new learning cycle.



#### TIPS AND RECOMMENDATIONS

Do not interrupt the learning cycle as all necessary values are being determined.

1. Open the door.
2. Switch on the drive.
  - ▶ LED flashes green (Fig. 59/1).

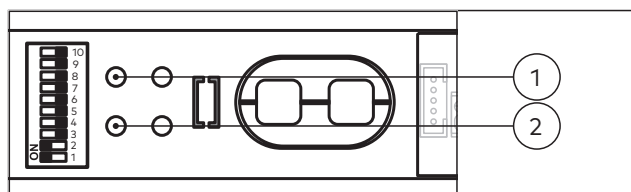


Fig. 59 Start learning cycle

3. Press the reset button on the drive for more than 3 seconds (Fig. 59/2).
    - ▶ The door opens 2 times and closed again. The LED flashes green.
    - ▶ After that the LED lights up green permanently.
- **The CS 80 MAGNEO is ready for operation.**



#### TIPS AND RECOMMENDATIONS

Every time an end stop has been adjusted or when the door weight has changed, a learning cycle must be carried out.

### 8.4 DIN 18650/EN 16005

If the door is to be operated according to DIN 18650/EN 16005, the following requirements apply:

- Inspection and acceptance according to the checklist below before commissioning by a person authorized by dormakaba.
- Documentation of the results according to DIN 18650 number 5.1-5.4.
- Storage for at least 1 year of the checklist completed by the operator according to the specifications.

#### Checklist according to DIN 18650, section 5.1-5.4

- |                          |   |
|--------------------------|---|
| <input type="checkbox"/> | Specialist installation according to the manufacturer's instructions.   |
| <input type="checkbox"/> | Check the door leaf for easy running, adjust if necessary.  |
| <input type="checkbox"/> | Flawless functional behavior of the door (check the opening and closing movement).  |
| <input type="checkbox"/> | Function of the installed pulse generators such as motion detector, push button or radio.   |
| <input type="checkbox"/> | Function of installed contactless safety devices (sensors) if installed.  |
| <input type="checkbox"/> | Installation of effective protective measures to prevent or safeguard danger zones between door parts and between the door and parts of the building environment, e.g. safety distances, secondary closing edge protection. |
| <input type="checkbox"/> | Test plate is attached  |
| <input type="checkbox"/> | Testing and maintenance work are documented.  |

After commissioning, the documentation must be handed over to the operator and the operator instructed in the operation of the door.

## 9 Service

### 9.1 Change the operating mode

#### 9.1.1 With the internal program switch

To change the operating mode, set the internal program switch to the desired position.

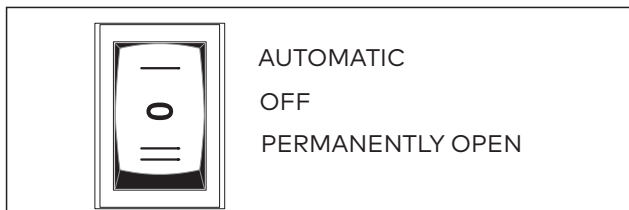


Fig. 60 Internal program switch.

#### 9.1.2 With the optional program switch EPS-S3

See program switch EPS-S3 instructions

### 9.2 Door behavior in automatic mode

The CS 80 MAGNEO is delivered in automatic mode. Depending on the devices installed, the door is opened in different ways.

#### 9.2.1 Push & Go

Pushing the door open manually by at least 10 mm causes the door to continue moving automatically in the desired direction. The door closes automatically after the set hold-open time expires.

#### 9.2.2 Push button

After pressing the push button (e.g. wall or radio button), the door is opened by the drive and closed again after the set hold-open time expires.

#### 9.2.3 Sensors

When proximity sensors (radar detectors, etc.) are connected, the door is opened by the drive as soon as a person approaches. The door closes automatically after the set hold-open time expires.

#### 9.2.4 Permanently open by double-click

Double-clicking on the push button (quickly and successively operating button twice) opens the door permanently. Another double-click or manual push-start closes the door. To activate the function, set the DIP switches 4 and/or 5 on the control to the ON position.

#### 9.2.5 Open/close at the touch of a button

If this function is activated, the door is opened by pressing the push button or by manually pushing (Push & Go). To close the door, press the push button again or push the door. To activate the function, set the DIP switches 4, 5 and 6 to the ON position.

### 9.2.6 Express function

The drive allows a manual pushing in the direction of travel without resistance. If the maximum speed is exceeded, the resistance to movement is increased depending on the amount it is exceeded by. After releasing, the door is gently braked to maximum speed. This function is active on all door movements.

### 9.3 Set speed and hold-open time

The door speed can be set between 100 mm/s and 800 mm/s. The maximum speed depends on the door leaf weight.



#### ATTENTION

##### Risk of damage to the potentiometer.

The potentiometers can be damaged by excessive forces.

- Please only use the enclosed red screwdriver for settings!

1. Set the speed on the speed potentiometer (Fig. 61/1).

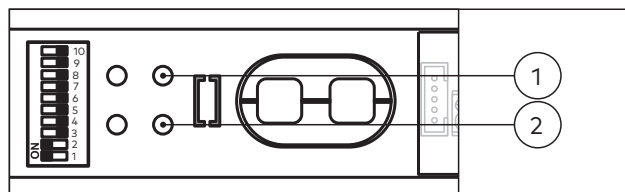


Fig. 61 Set the speed and the hold-open time

In low energy mode, the hold-open time can be set between 5 and 30 seconds.

In full energy mode, the hold-open time can be set between 0 and 30 seconds.

2. Set the hold-open time on the hold-open time potentiometer (Fig. 61/2).

### 9.4 Power supply failure



#### ATTENTION

##### Risk of damage to the door unit

In the event of a power failure, the door will not be braked

- Manually guide the door over the entire area of movement.

The door can still be opened and closed manually in the event of a power supply failure.

If an electrical lock has been fitted this will release, enabling the door to be opened. When the power returns, the drive automatically carries out a positioning run. The area of movement must be kept clear during the positioning run.

## 9.5 Using WC in a Private Area

### 9.5.1 Access to the WC

After pushing the activation button on the outside, the door is opened and closes automatically after the set hold-open time expires. If the door is completely closed, the door status can be changed to "Engaged" after pressing the locking button. At the same time, the optional Engaged indicator changes from green to red to confirm the door is locked. The door can no longer be opened using the outside and inside activation buttons. The door is locked by the motor with a force of approx. 50 N. There is no mechanical locking.

### 9.5.2 Opening the WC in an emergency

Even if the door is closed after pressing the locking button, the door can be opened from the outside in an emergency.

If the door is pushed more than 40 cm in the direction of opening, the Push & Go function is activated and the door opens.

### 9.5.3 Drive shutdown in case of blockage

If the door is stopped for more than 60 seconds in an area between the closed position and Push & Go, the drive is switched off and the door can be moved freely. This is to protect the drive from overheating. As soon as the locking button is pressed, the door returns to normal operation.

### 9.5.4 Opening the door permanently

Double-clicking on an activation button permanently opens the door. The door is closed by pressing the locking button.

### 9.5.5 Leaving the WC

After pressing the locking button on the inside, the door is opened. The optional Engaged indicator inside and outside changes from red to green. The door closes automatically after the set hold-open time expires.

## 9.6 Using the WC in a Public Area

### 9.6.1 Access to the WC

After pushing the activation button on the outside, the door is opened and closes automatically after the set hold-open time expires. If the door is completely closed, the door status can be changed to "Engaged" after pressing the locking button. At the same time, the Engaged indicator changes from green to red to confirm the door is locked. The door can no longer be opened using the outside and inside activation buttons. The door is locked mechanically.

### 9.6.2 Opening the WC in an emergency (optional)

After pressing the emergency switch under glass, the locked door is automatically opened and remains in the open position.

### 9.6.3 Leaving the WC

After pressing the locking button on the inside, the door is opened. The Engaged indicator inside and outside changes from red to green. The door closes automatically after the set hold-open time expires.

## 10 Maintenance and care

If the door is to be operated according to DIN 18650/EN 16005, the following requirements apply:

- Regular, at least annual maintenance and testing taking into account the specifications for the CS 80 MAGNEO by persons authorized by dormakaba.
- Documentation of the results in accordance with DIN 18650, section 5.1-5.4, takes place in the supplied test book.
- Storage for at least 1 year of the checklist completed by the operator according to the specifications.

### Checklist according to DIN 18650, section 5.1-5.4

- |                          |   |
|--------------------------|---|
| <input type="checkbox"/> | Specialist installation according to the manufacturer's instructions.   |
| <input type="checkbox"/> | Check the door leaf for easy running, adjust if necessary.  |
| <input type="checkbox"/> | Flawless functional behavior of the door (check the opening and closing movement).  |
| <input type="checkbox"/> | Function of the installed pulse generators such as motion detector, push button or radio.   |
| <input type="checkbox"/> | Function of installed contactless safety devices (sensors) if installed.  |
| <input type="checkbox"/> | Installation of effective protective measures to prevent or safeguard danger zones between door parts and between the door and parts of the building environment, e.g. safety distances, secondary closing edge protection. |
| <input type="checkbox"/> | Test plate is attached  |
| <input type="checkbox"/> | Testing and maintenance work are documented.  |



### CAUTION

#### Risk of injury from crushing, shearing, bumping or pulling

Increasing the speed in full energy mode results in increased forces. Depending on the result of the risk assessment at the installation location, the closing edges must be protected by safety sensors.

The performance of the maintenance must only be carried out by qualified technical personnel.

### 10.1 Operating cycles display

Briefly press the reset button to display the current operating cycles. If, during the next opening movement, the LED operating display lights up yellow for 1 second, the drive has opened the door more than 200,000 times. Please inform Service that it is time to test the drive.

### 10.2 Care

To clean the drives, use only commercially available cleaners. Avoid the use of abrasives.

## 11 Maintenance from dormakaba

Regular maintenance of your units pays off: weak points are detected and eliminated at an early stage and your unit's service life is increased.

dormakaba and our authorized partners offer premium maintenance service for automatic doors and hold-open systems, which gives the building operators reliable safety through the official seal of approval. If not all door units have been properly tested, the building operator may be liable for property damage and personal injury in the event of an accident. Regardless of safety aspects, regular maintenance also makes sense from an economic point of view. Any damage or wear can thus be detected and repaired at an early stage. The risk of unforeseen costs, such as high repair costs, can be minimized – and we help you to keep an eye on your budget – always with the aim of increasing the service life of your door units.

dormakaba takes over the complete organization and execution of maintenance for you. The advantage to you: all units – including units from other manufacturers – are tested by trained experts at the scheduled regular intervals. The facility operator does not have to worry about anything else, legal requirements are reliably fulfilled.

A maintenance contract around the door ensures tested functionality with a premium standard!

We want to win you over too – get a non-binding and free offer for a maintenance contract.

Further information on this and many other topics of the dormakaba service can be found on our homepage at [www.dormakaba.com](http://www.dormakaba.com)



**0 800 524 0246**  
24h Service Hotline

## 12 Troubleshooting

Malfunction	Possible causes	Remedy
Door is switched on Door is not responding Green LED is off	No power supply available	Check power supply
	Power cable connection not firmly plugged in	Plug in the power cable connection firmly
	Power cable defective	Replace power cable
	Mains plug defective	Replace drive
Door not responding Green LED lights up	Program switch in position [0] (OFF)	Switch program switch to the desired position.
	Program switch in position [II] (PERMANENTLY OPEN)	Switch program switch to the desired position.
	Door was opened by double-clicking PERMANENTLY OPEN switched on	Close the door by double-clicking again
	Safety sensor on the door is active (obstacles in the sensor's detection area)	Remove obstacles and adjust safety sensors if necessary
	Cable to sensor defective	Check cable and replace if necessary
	No safety sensors connected	Check jumpers and replace if necessary Terminals must be jumpered
	Drive defective	Replace drive
LED flashes green	Learning cycle was not completed	Restart learning cycle
	Drive is defective	Replace drive
Door stops while moving	Door moves stiffly	Check the door's area of movement and eliminate any reason for the stiffness
		Check track and floor guide for dirt or wear and clean if necessary
Door moves past the set OPEN or Closed position	Corresponding end stop has shifted	Readjust and retighten end stop Carry out a learning cycle
Red LED lit up constantly	Control defective	Turn the power switch off and then on again
		Replace drive
Red LED flashes cyclically 2 times	Control defective	Turn the power switch off and then on again
		Replace drive
Red LED flashes cyclically 3 times	Power range switch has been switched over	Turn the power switch off and then on again
Red LED flashes cyclically 4 times	Testable safety sensors defective	Check safety sensor and replace if necessary
	Sensor's cable defective	Check cable and replace if necessary
	DIP switches 1 to 3 set incorrectly	Check and reset DIP switch settings
Red LED flashes cyclically 5 times	Incremental encoder or incremental encoder cable defective.	Turn the power switch off and then on again
		Replace drive

Malfunction	Possible causes	Remedy
	Opening width set incorrectly	Reset opening width (end stops) Carry out a learning cycle
Red LED flashes cyclically 6 times	Door's area of movement is blocked	Clear the area of movement
	Opening width set incorrectly	Reset opening width (end stops) Carry out a learning cycle
Red LED flashes cyclically 10 times	Stator or stator cable defective	Turn the power switch off and then on again  Replace drive
	Short circuit at the connection terminal	<b>1.</b> Eliminate short circuit <b>2.</b> Turn the drive off and then on again using the power switch
Hum in final position	Unfavorable end position of the door leaf	Move end stop by at least 2 mm Carry out a learning cycle
Door leaf vibrates while moving	Guide mechanism is tight	If necessary, readjust the door leaf connection and floor guide Rotate nuts several times to fix door leaves

If in individual cases the replacement of a defective drive is required, this is only possible through the local dealer upon presentation of the proof of purchase. For this it is necessary to return the complete basic drive including carriage.







Translation of the original manual, subject to change without notice

[www.dormakaba.com](http://www.dormakaba.com)

dormakaba Deutschland GmbH  
DORMA Platz 1  
58256 Ennepetal  
Germany  
T: +49 2333 793-0  
F: +49 2333 793-4950