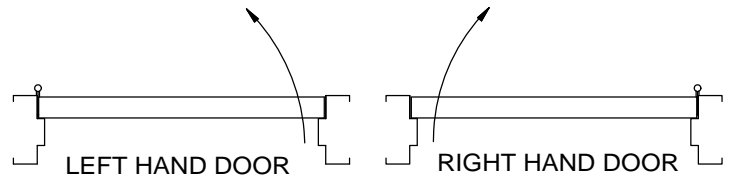


TS93-5 PKT 180 POCKET DOOR TRACK (CLOSER ON WALL)

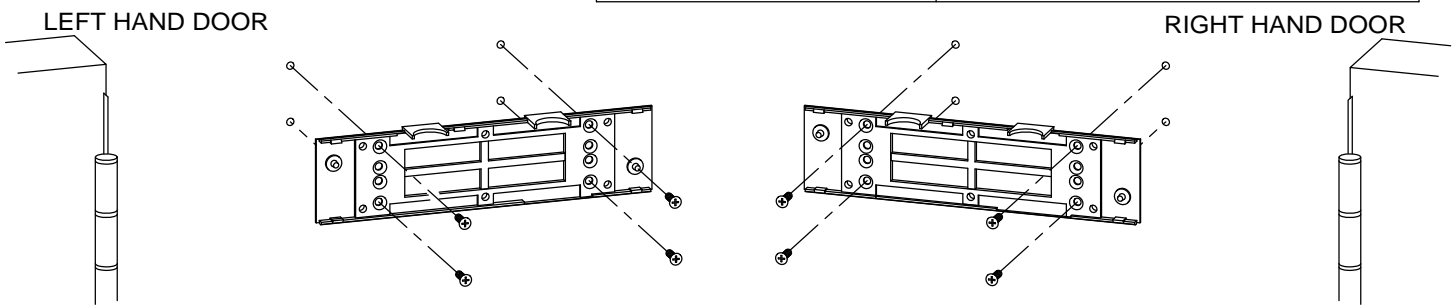
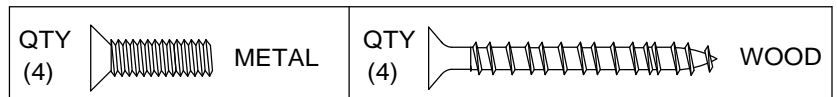


1 (REFERENCE UNIT CARTON LABEL FOR ACCESSORIES AND OPTIONS SUPPLIED)

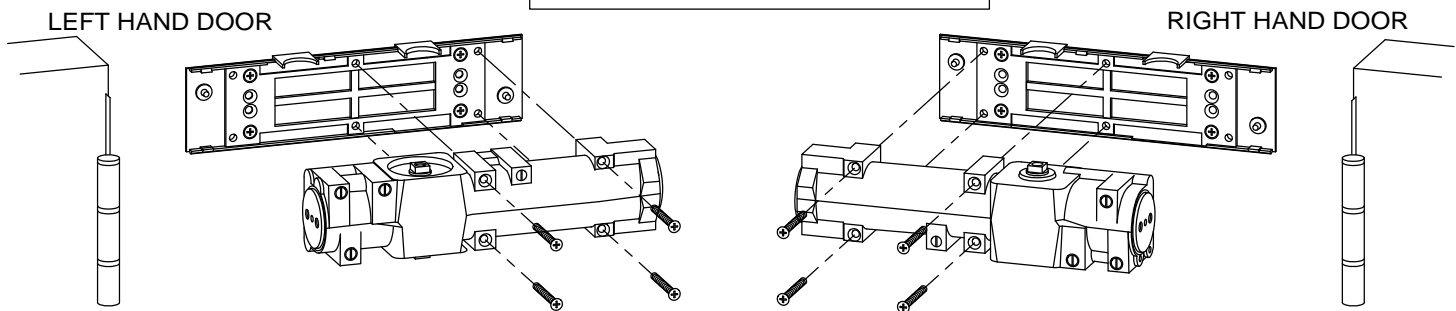
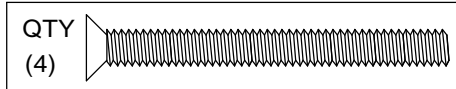
Determine hand of door and prepare door and wall for fasteners according to template 08279982.



2 Attach mounting plate to wall.

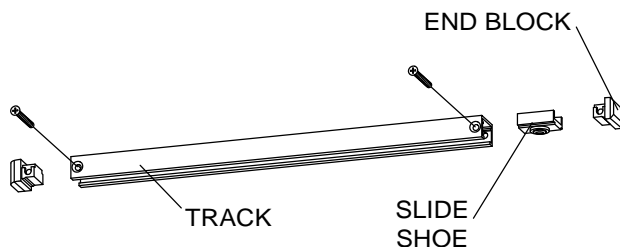
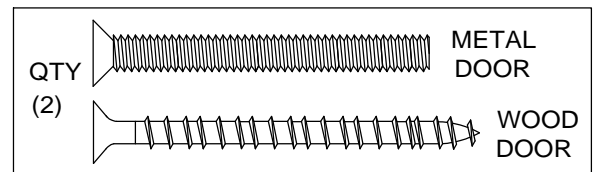


3 Attach closer to mounting plate.



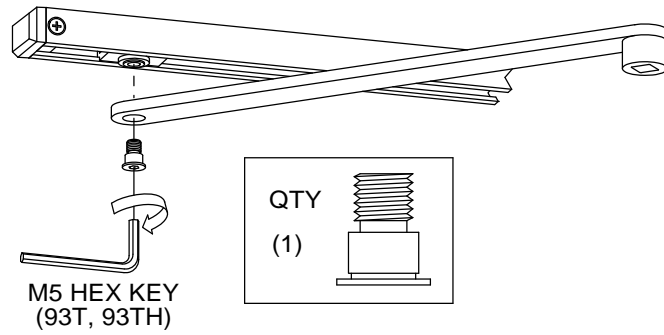
4 Attach track to door.

Insert slide shoe and end blocks into track. Attach track to door.

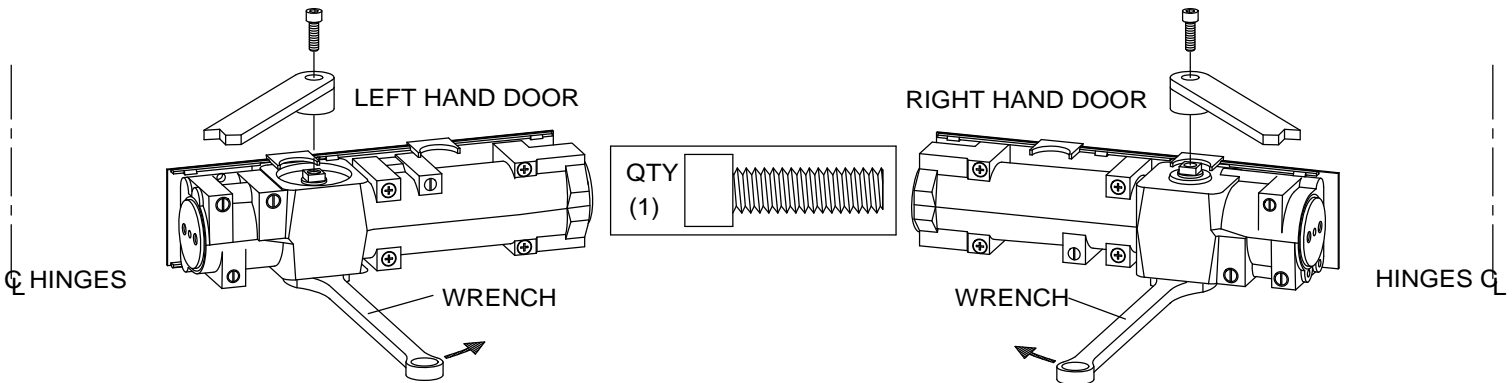


5 Attach arm to slide shoe.

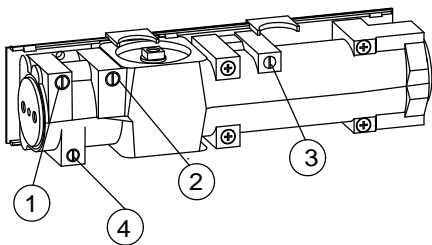
Align hole in arm with slide shoe in track. Insert screw and tighten securely. Install track cover.



6 Place wrench on bottom pinion of closer. Rotate pinion away from door until arm drops onto top pinion of closer. Tighten securely with screw provided.

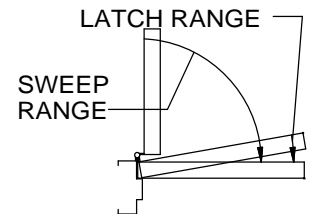


7 Adjust sweep, latch and backcheck.



DECREASE INCREASE

- ① - SWEEP speed from approx. 70° to 0°.
- ② - LATCH speed from approx. 7° to 0°.
- ④ - DELAY speed from approx. 180° to 70°.

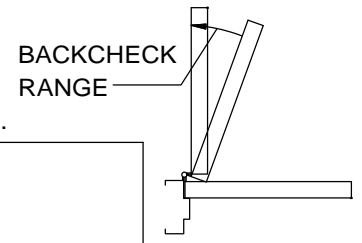


BACKCHECK (INTENSITY)

INCREASE DECREASE

- ③ - BACKCHECK cushion effect.

CAUTION: DO NOT CLOSE VALVE COMPLETELY.

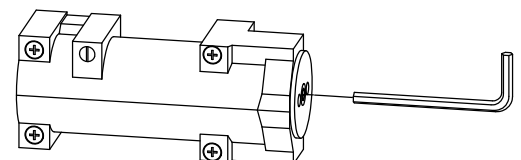


CAUTION: DO NOT REMOVE VALVES.

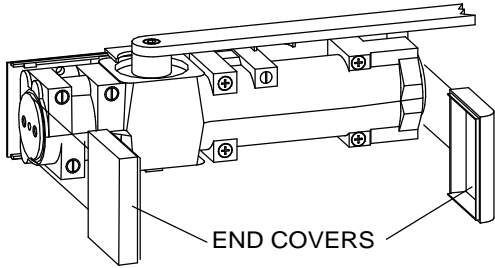
7 Adjust spring tension to ensure proper closing and latching of door.

MAXIMUM NUMBER OF TURNS CLOCKWISE - 6

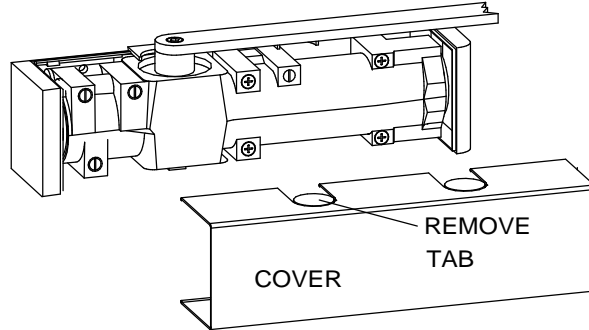
INCREASE



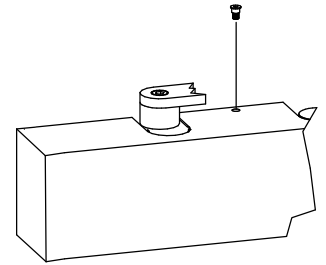
8 Install cover.



Slide end covers over closer body end caps.



Remove tab that aligns with arm hub. Slide cover onto plate.



Secure with locking screw.