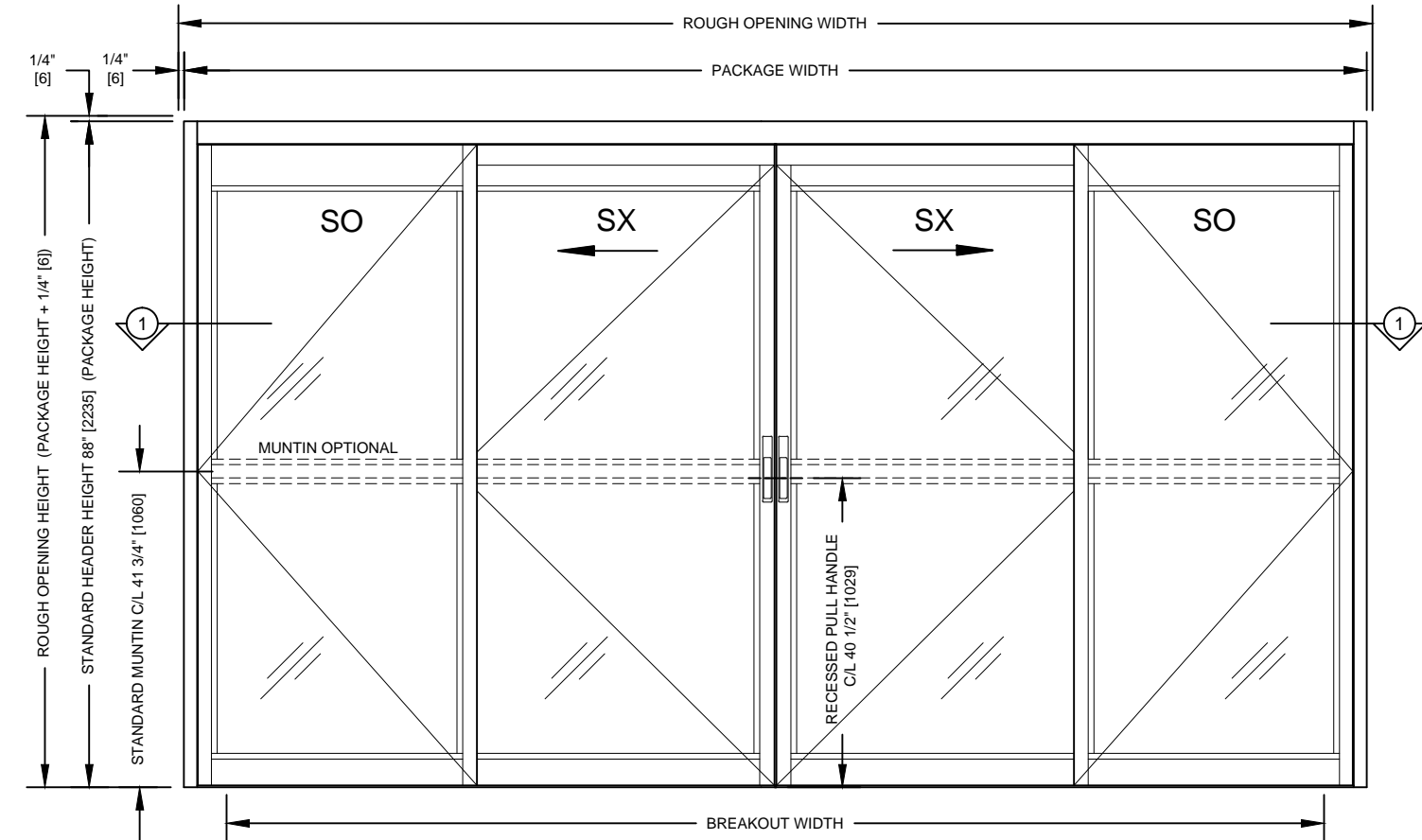
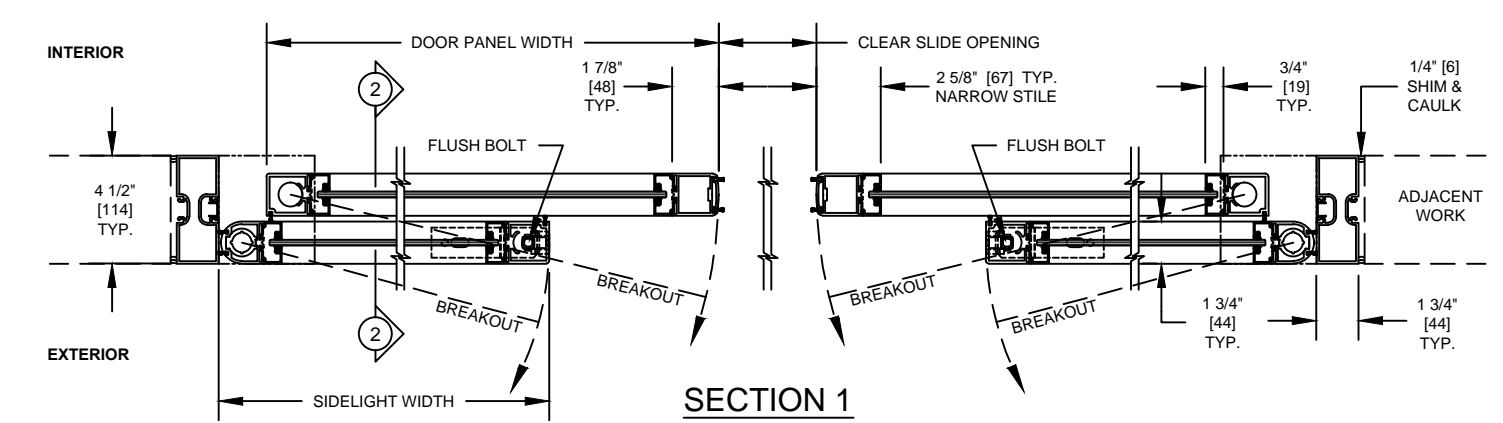


SECTION 2
TYPE: SO-SX-SX-SO



EXTERIOR ELEVATION
TYPE: SO-SX-SX-SO



DOOR PANEL WIDTHS SHOWN WILL PROVIDE FINGER PROTECTION UPON BREAKOUT

SECTION 1
TYPE: SO-SX-SX-SO
DOOR SHOWN IN OPEN POSITION

FLUSH BOLT IN SIDELIGHT MUST BE THROWN TO RELEASE FULL BREAKOUT

- This Standard Bi-part door package consists of:
 - Panels:
 - 2-5/8" [67] Narrow stile door panels (including 3/4" [19] wide glass stop).
 - 3-1/4" [83] Optional muntin mounted at 41-3/4" [1060] centerline on all panels (including 3/4" [19] wide glass stop).
 - Recessed pull handle on SX panel.
 - 4" [102] Bottom rails (including 3/4" [19] wide glass stop).
 - 1-3/4" [44] x 4-1/2" [114] Double pocket jambs.
 - Vertical and horizontal brush type weather stripping (AAMA-701-11Class A).
 - 3/4" [19] wide snap-in glass stops for glazing from 1/4" [6] to 1-1/4" [32] thick at 1/8" [3] increments.
 - Breakaway sliding door panels (SX) and breakaway sidelights (SO) panels.
 - Limit arm on SX and SO Panels.
 - Flush Bolt on SO panels.
 - Finishes:
 - Clear anodized (BHMA 204).
 - Dark Bronze anodized (BHMA 313).
- Typical Package Options:
 - Positive Latch options: (see options page).
 - Jamb Latch.
 - Concealed.
 - Finishes: special anodized, PVDF (wet) paint, powder coat, and cladding available. header, panels and jambs only.
 - Muntins: multiple, various heights, and locations.
 - Bottom Rails: 7" [178], 10" [254]. Other heights available.
 - Smoke rated Package available.
 - Locking and Security Options:
 - Manual two point mortise lock with thumb turn and key cylinder.
 - Security contacts.
 - Jambs: 1 3/4" [44] x 4-1/2" [114] Smooth jambs.
- Drawing Notes:
 - Drawing dimensions are in English & Metric units. Metric units are displayed as: 1" [25] millimeters.
 - Typical package dimensions: (Glass thickness may be limited by panel size)
 - Each door package is manufactured to your custom size requirements.
 - Package Width: Min. 9'-3" [2819] to Max. 16' [4877].
 - Header Height: Min. 7' [2134] to Max. 9' [2743].
 - Panel Weight: Max. Weight 200 lbs [90kg].
 - SX Panel Size Limit = (SX Panel Width x Weight) < 800 ft-lbs [1084 N-m] Max.
- Standards of Compliance:
 - Designed to comply with these standards depending on installation and application:
 - International Building Code (Section 1008).
 - NFPA 101 Life Safety Code (Section 7.2.1.9).
 - Refer to Local, State, National or AHJ. Building Code for minimum door height and minimum/maximum width allowable for egress requirements.
 - Minimum ADA is 32" clear slide opening.
- Contact Dorma Architectural Services for more information:
 - Email: SPECNOW@dorma.com
 - Phone: 1-844-SPEC-NOW (1-844-773-2669)

Package Width	Rough Opening Width	Clear Slide Opening	Door Panel Width	Sidelight Width	Breakout Width
(10'-0") 120" [3048]	120 1/2" [3061]	47 1/16" [1195]	32 3/4" [832]	27 3/4" [705]	108 3/4" [2762]
(12'-0") 144" [3658]	144 1/2" [3670]	59 1/16" [1500]	38 3/4" [984]	33 3/4" [857]	132 3/4" [3372]
(14'-0") 168" [4267]	168 1/2" [4280]	71 1/16" [1805]	44 3/4" [1137]	39 3/4" [1010]	156 3/4" [3981]
Width Formulas	(Package Width) + 1/2" [13]	(Package Width / 2) - 12 15/16" [329]	(Package Width / 4) + 2 3/4" [70]	(Door Panel Width) - 5" [127]	(Package Width) - 11 1/4" [286]