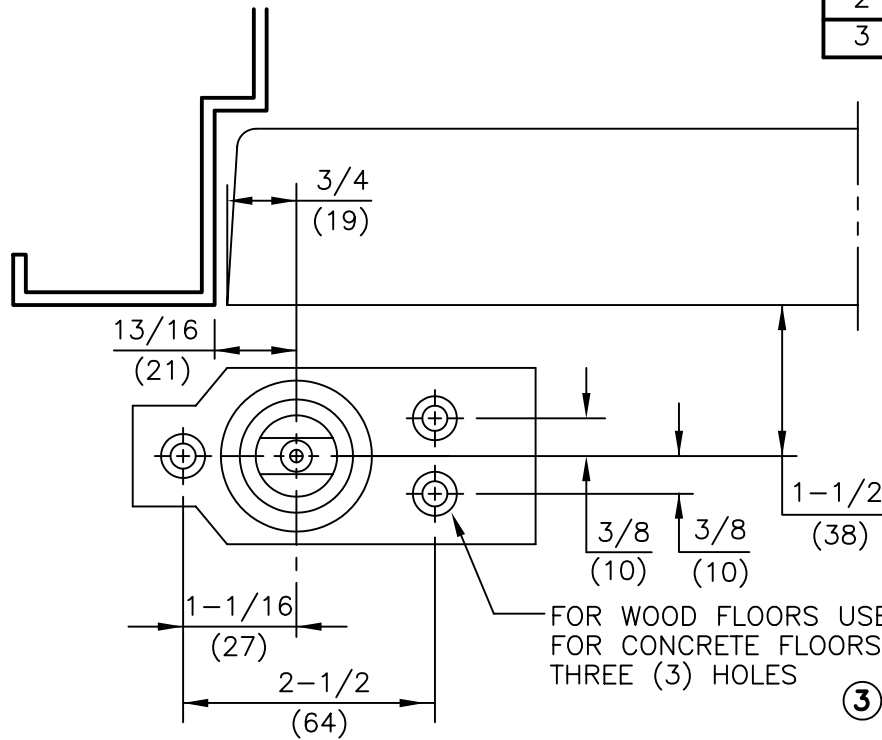


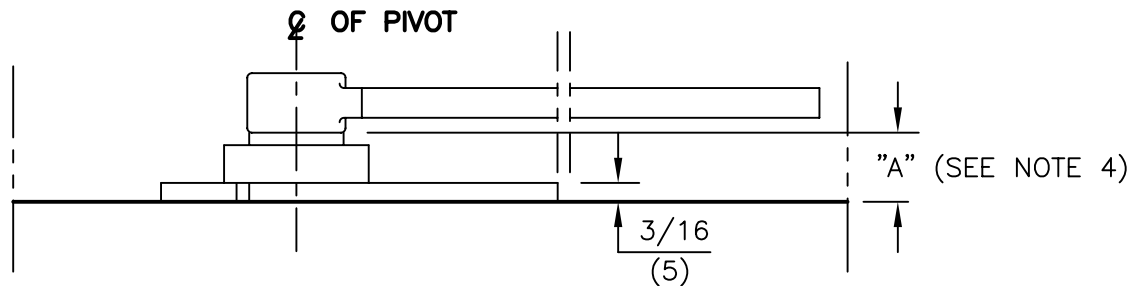
No.	REVISIONS	DATE
1	ADD NOTE #6. STANDARD 1/8" REVEAL, REVISE CHART	9/25/89
2	EXTENSIVE DRAWING CHANGES - SEE TRN # T-80	8/6/92
3	REVISED FROM 5/16" DRILL TO 1/4" DRILL 1" DEEP	8/2/04



NOTES:

1. DO NOT SCALE DRAWING.
2. DIMENSIONS ARE IN INCHES\MM.
3. RIGHT HAND DOOR SHOWN.
4. DIMENSION "A" IS DISTANCE FROM BOTTOM OF PIVOT TO BOTTOM OF ARM. WHEN BOTTOM ARM IS INSTALLED TO THE STANDARD TEMPLATE, THIS IS ALSO EQUAL TO THE BOTTOM DOOR CLEARANCE.

SPINDLE SIZE	DIM. "A"
STANDARD	11/16 (17)
5MM EXT.	7/8 (22)
10MM EXT.	1-1/16 (27)
15MM EXT.	1-1/4 (32)
20MM EXT.	1-7/16 (37)
25MM EXT.	1-5/8 (42)
30MM EXT.	1-7/8 (47)
35MM EXT.	2-1/16 (52)
40MM EXT.	2-1/4 (57)
45MM EXT.	2-7/16 (62)
50MM EXT.	2-5/8 (67)



ITEM No.7471K
1-1/2" OFFSET FLOOR BEARING INSTALLATION



DORMA Architectural Hardware
REAMSTOWN, PENNSYLVANIA 17567
TEMPLATE No. LM-31 (3)