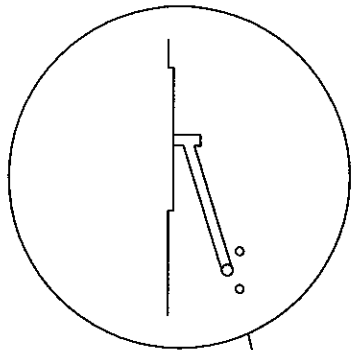


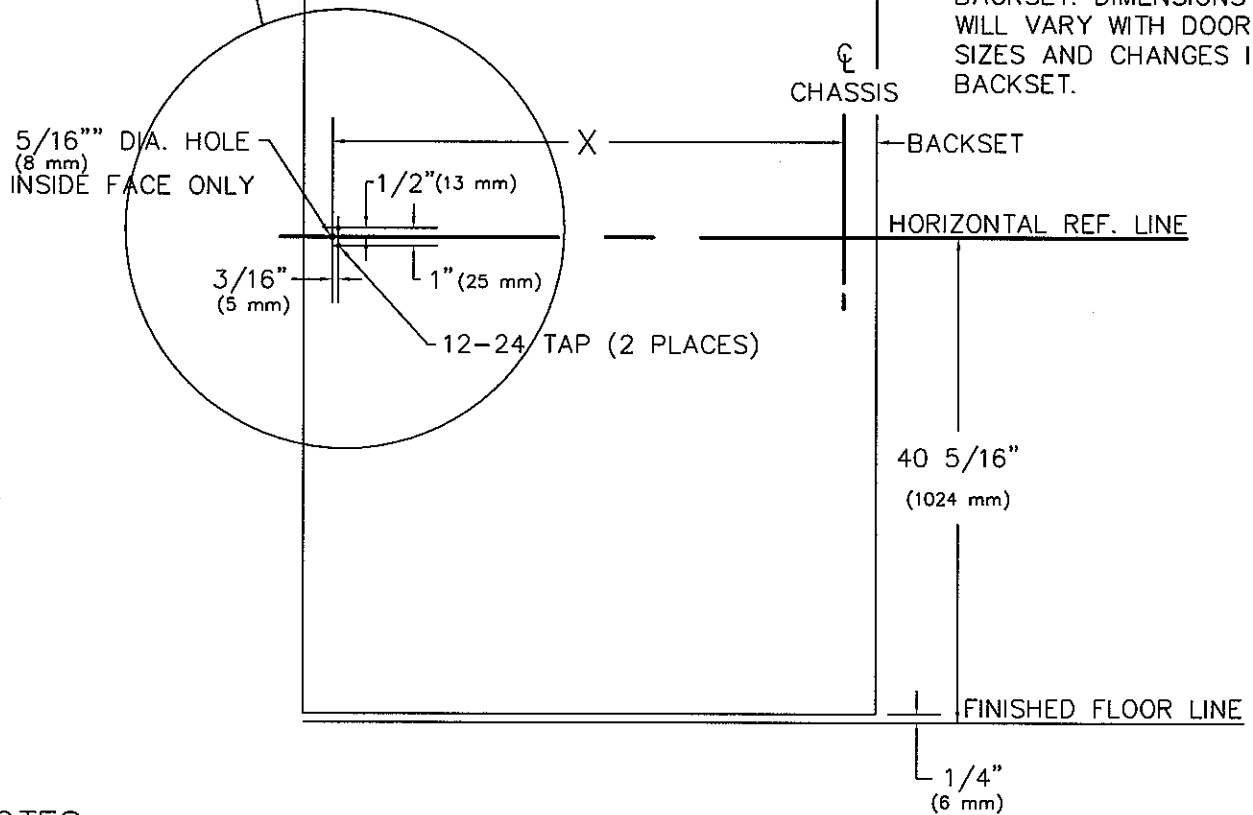
RHR SHOWN  
LHR OPPOSITE



1/4" Min.  
Raceway Rq'd.  
For Wood  
Door Installations.

EXIT DEVICE	DIMENSION X
A	43 1/2" (1105 mm)
B	31 1/2" (800 mm)

DIMENSIONS SHOWN FOR STANDARD SIZE EXIT DEVICE WITH STANDARD BACKSET. DIMENSIONS WILL VARY WITH DOOR SIZES AND CHANGES IN BACKSET.



NOTES:

1. HOLES SHOULD BE DRILLED AND TAPPED DURING HARDWARE INSTALLATION.
2. SEE APPROPRIATE DEVICE TEMPLATE FOR BACKSET AND ADDITIONAL DOOR PREP.

REV. No. 2	REVISION: ADD WOOD DOOR NOTES	DATE: 6-6-03
	ADDITIONAL DOOR PREPARATION FOR ELECTRICAL OPTIONS DE, MS, LM, MS & MD 9000 SERIES	TEMPLATE NUMBER T-9000E②