

GP1000

Glass panic device - top latching glass mount

(used with exterior pull types: A, B, D, F, G, H, J, JS, L, LS, X, Z)

Installation instructions

974001 - 10-2020

| EN |

dormakaba 

Table of contents

1	Technical specifications	3
1.1	Overview	3
	1.1.1 General information	3
	1.1.2 Intended use	3
	1.1.3 Glass requirements/fittings/mounting	3
	1.1.4 Requirements for glass panel	3
	1.1.5 Safety instructions	3
	1.1.6 Symbols used - Safety/Installation	3
	1.1.7 Maintenance, care, repair	3
	1.1.8 Disposal	3
	1.1.9 Adhesive specifications	4
	1.1.10 Required dimension	4
2	Installation instructions - glass mount	4
2.1	Overall	4
2.2	Mount exterior pull components - actuator housing	5
2.3	Mount exterior/interior pull components - top standoff	6
2.4	Mount exterior pull components - bottom standoff	7
2.5	Mount exterior pull components - return tube (D-pull; back-to-back)	8
2.6	Mount interior pull components - actuator housing and int. pull	9
2.7	Mount interior pull components - top standoff	10
2.8	Mount interior pull components - return tube (single-sided)	11
2.9	Mount interior pull components - return tube (back-to-back)	12
3	Adjustments	13
3.1	Clearances	13
3.2	Final adjustments (tube height or length)	14
3.3	Adjust roller latch	14
3.4	Loctite part list	15
4	Function	15
4.1	Locking the panic (dogging)	15

1 Technical specifications

1.1 Overview

These instructions are for installation of GP1000 Glass Panic Device for the following mounting and style versions:

1. Top latching glass mount

1.1.1 General information

- dormakaba requires use of tempered monolithic glass.
- dormakaba glass hardware is not suitable for harsh environment; for example, applications where chemicals (e.g. chlorine) are used such as indoor swimming pools, saunas, or salt-water pools.
- Do not swing doors with excessive force. Ensure proper installation of limiting stop to prevent door from opening too far.

1.1.2 Intended use

- For swinging doors in dry indoor and covered areas only.
- For manual slow opening and closing only.

1.1.3 Glass requirements/fittings/mounting

- The substructure/wall must be able to bear permanent loads, be level (max. tolerance: 1/16" [2] per 39" [1m]).
- Fasteners must be sufficiently dimensioned for the substructure/wall and weight of the door.
- When adjusting glass elements, always stick to the required clearance for the respective hardware. Adjust clearance so glass does not come in contact with any hard surfaces such as glass, metal or concrete.
- Do not use excessive force when installing the glass (avoid over tightening screws.)

1.1.4 Requirements for glass panel

- Heat-soaked thermally tempered monolithic glass
- Clamping area must be flat and uncoated (no self-cleaning coating!)
- Never use glass with conchoidal fractures and/or damaged edges.

1.1.5 Safety instructions

- Installation requires two people.
- Only properly qualified and specially trained staff are authorized to mount dormakaba glass hardware.
- Due to crushing hazards and possible injury caused by breakage of glass during mounting, corresponding protective clothing (especially gloves and protective goggles) is required.
- Never clamp metal fitting hardware directly to glass surface.

1.1.6 Symbols used - Safety/Installation



CAUTION

Mounting components must meet the requirements of substructure/wall and door weight. Please read the technical information for fittings.



WARNING

Risk of breaking glass. When installing the door, support the door panel with a block of wood or similar object.



TIPS AND RECOMMENDATIONS

Information note

1.1.7 Maintenance, care, repair

- Immediately replace damaged parts.
- Always use original dormakaba parts.
- Clean clamping area with alcohol-based standard commercial cleaning agent before mounting the glass hardware.
- Use a damp cloth for occasional cleaning.
- Always use silicone - and oil-free cleaners (e.g. acetone).
- Check glass hardware at regular intervals for proper positioning, smooth operation and correct adjustment.
- High traffic door systems require inspection by properly qualified staff (specialized companies or installation firms.)
- Function of fittings is recommended to be inspected annually or every 100,000 movements by a specialist.

1.1.8 Disposal

- Disposal in accordance with local, state and national regulations.

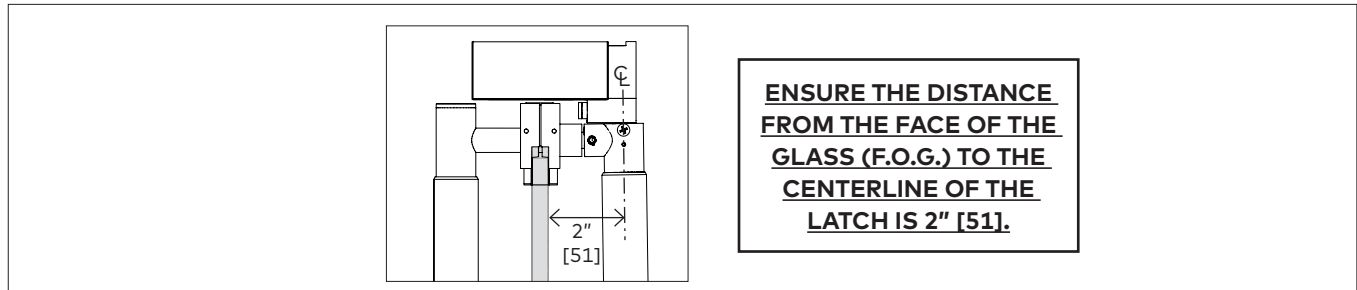
1.1.9 Adhesive specifications

Table 1

Adhesive required for GP1000 (not included)		
Loctite® Threadlocker Blue 242®	Handling description	Time
	Set time (<i>time between application and tightening of screw</i>)	10 minutes on active metals (steel) Longer for less active metals.
	Full cure time (<i>normal product usage not recommended until full cure time has been met</i>)	24 hours* *Cure time dependent upon temperature and type of metal being bonded.

1.1.10 Required dimension

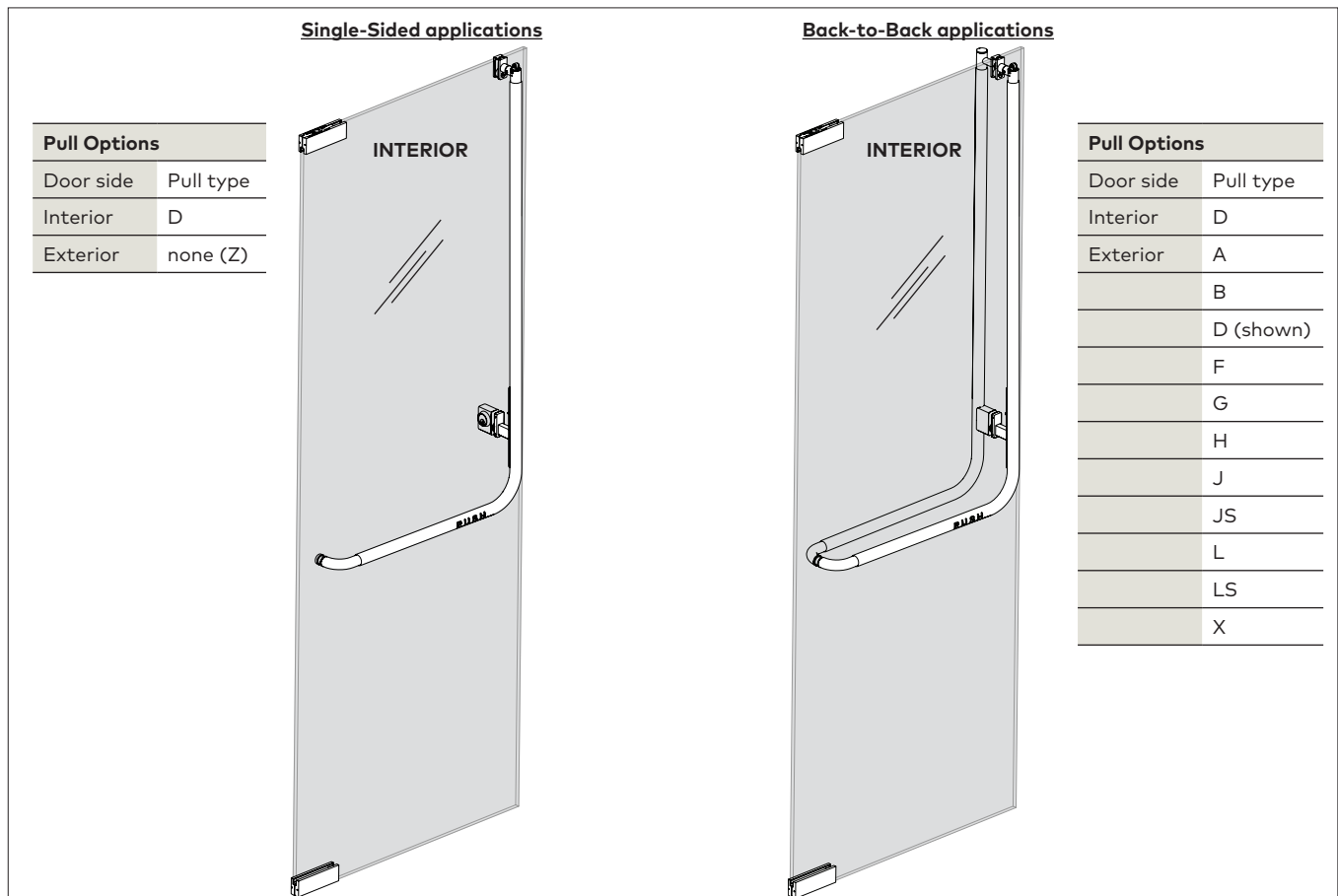
Fig 1



2 Installation instructions - glass mount

2.1 Overall

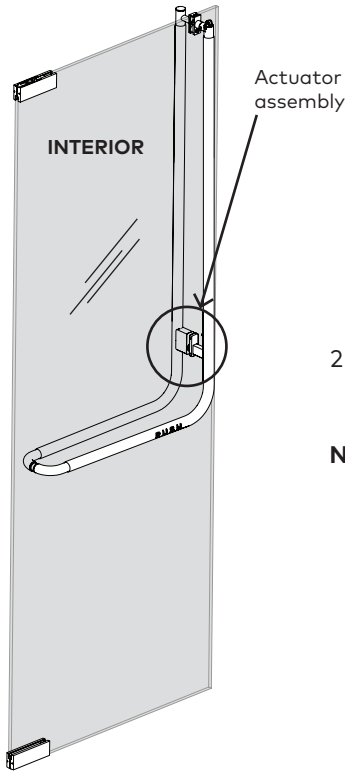
Fig 2



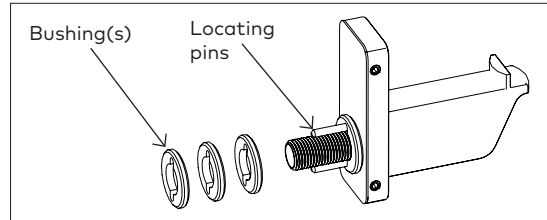
2.2 Mount exterior pull components - actuator housing

Fig 3

NOTE: PANIC DEVICE SHOULD BE MOUNTED TO DOOR IN A HORIZONTAL POSITION. LAY GLASS PANEL FLAT ON SAW HORSES AND MOUNT THE FOLLOWING EXTERIOR PULL COMPONENTS FIRST. EXTERIOR SIDE SHOULD FACE UP.



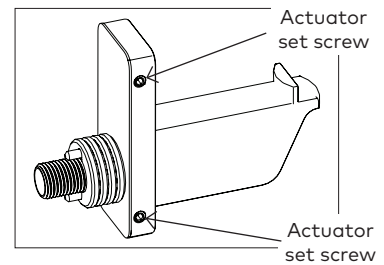
Pull Options	
Door side	Pull type
Interior	D
Exterior	D (shown)



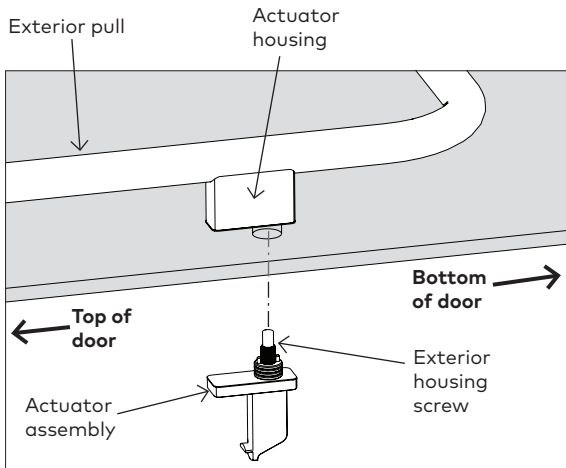
2.2.1 Slide the actuator bushing(s) onto the mounting plate locating pins.

NOTE: Depending upon glass thickness, add appropriate quantity of bushings.

Glass width	No. of bushings
3/8" - 7/16"	3
1/2" - 9/16"	4
5/8" - 11/16"	5
3/4" - 13/16"	6



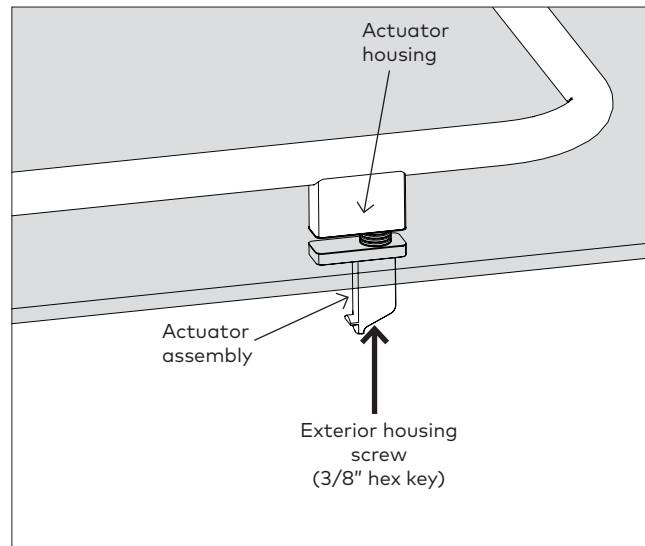
Tools required	
Exterior housing screw	3/8" hex key screw



2.2.2 Place exterior pull against glass and align with hole in glass.

2.2.3 Slide exterior housing screw through hole in actuator assembly.

- Orient actuator assembly as shown above.



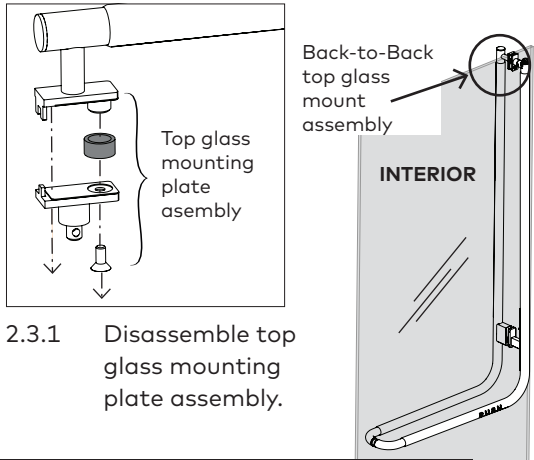
2.2.4 Secure actuator assembly (through glass) to actuator housing by tightening exterior housing screw.

- Exterior housing screw can be accessed through end of actuator assembly.
- Use 3/8" hex key.

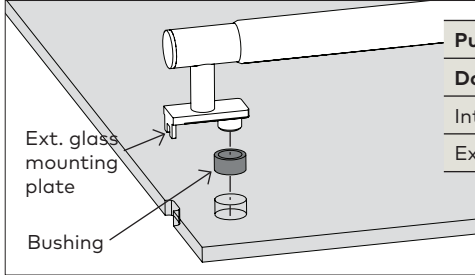
2.3 Mount exterior/interior pull components - top standoff

Fig 4

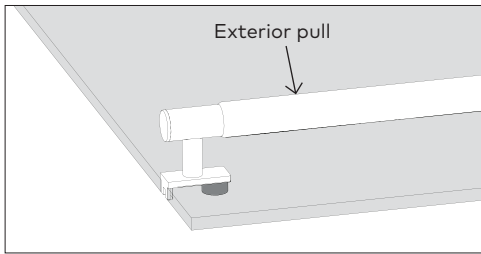
Back-to-back application



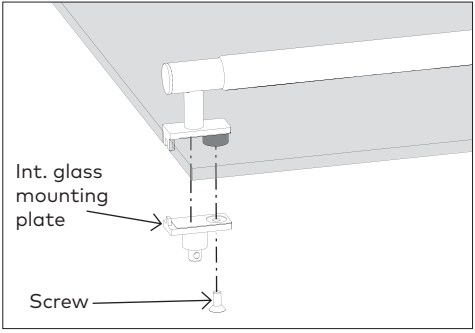
2.3.1 Disassemble top glass mounting plate assembly.



2.3.2 Place bushing onto exterior glass mounting plate.

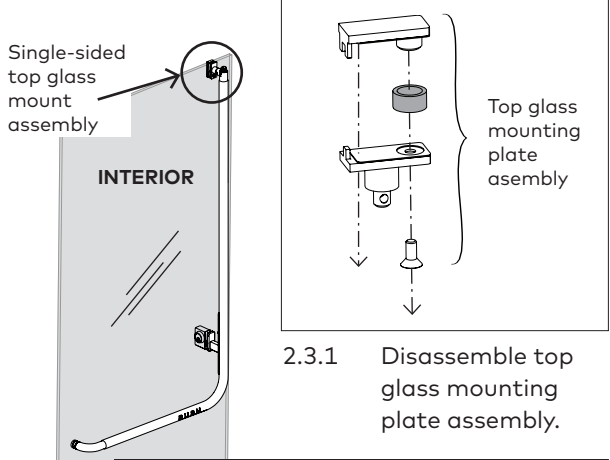


2.3.3 Place exterior pull against glass.

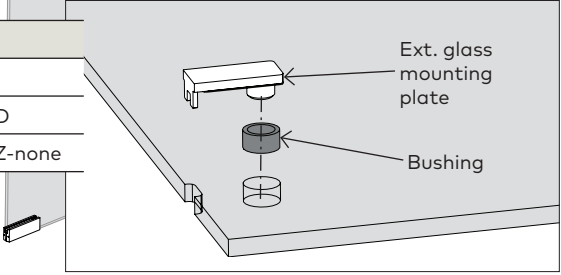


2.3.4 Secure interior glass mounting plate assembly (through glass) to exterior pull with included 5/16-18 x 3/4" screw.

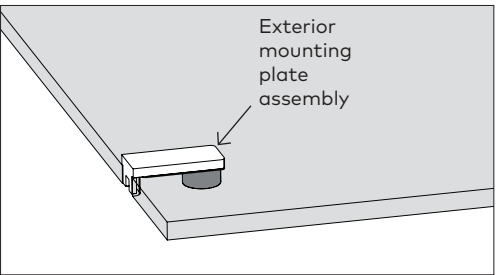
Single-sided application



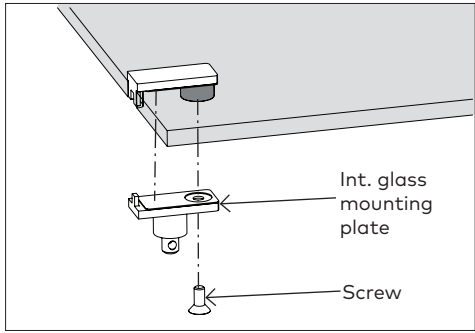
2.3.1 Disassemble top glass mounting plate assembly.



2.3.2 Place bushing onto exterior glass mounting plate.



2.3.3 Place exterior mounting plate assembly against glass.

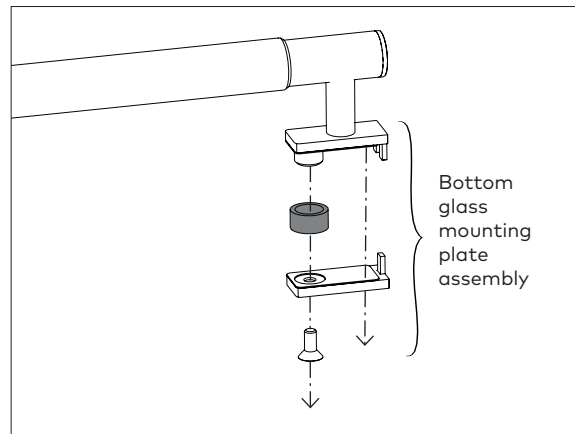
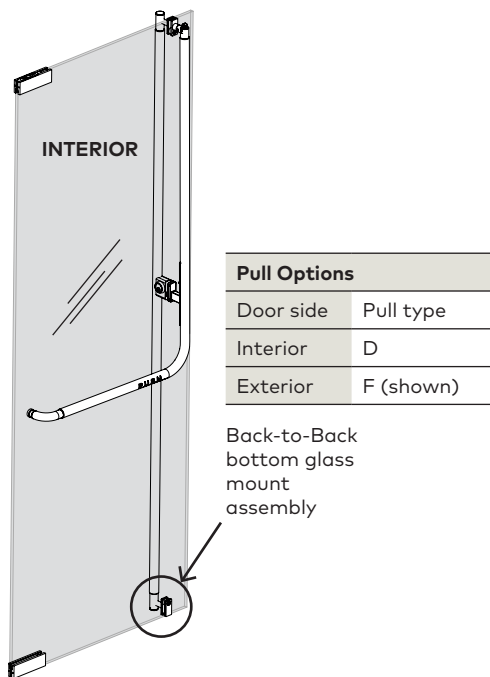


2.3.4 Secure interior glass mounting plate assembly (through glass) to exterior mounting plate assembly with included 5/16-18 x 3/4" screw.

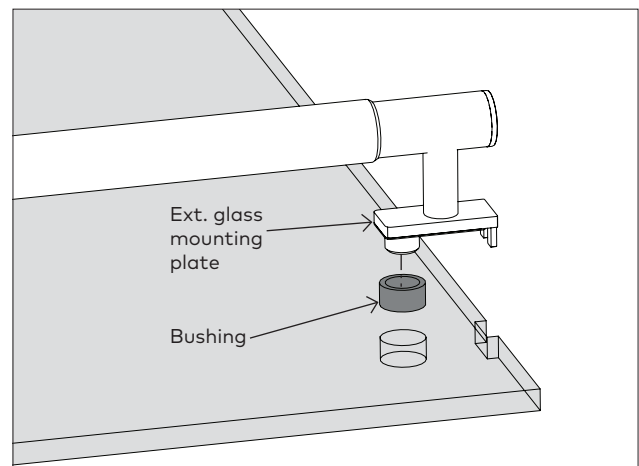
Pull Options		
Door side	Pull type	
Interior	D	D
Exterior	D (shown)	Z-none

2.4 Mount exterior pull components - bottom standoff

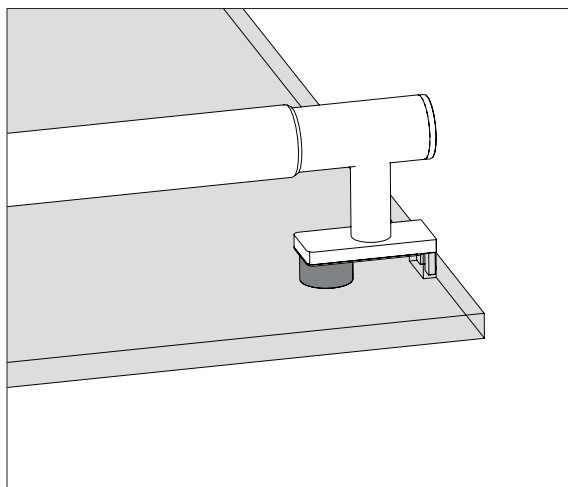
Fig 5



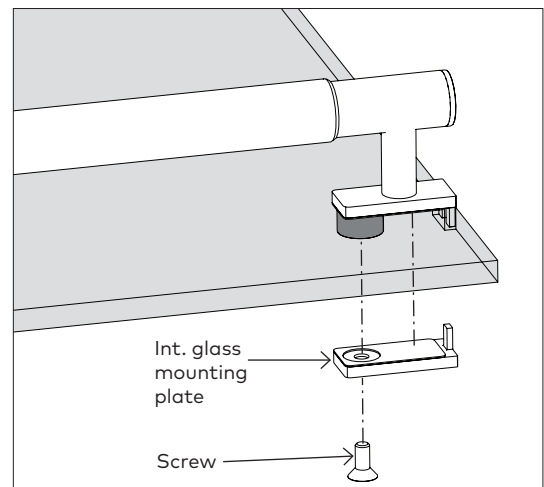
2.4.1 Disassemble bottom glass mounting plate assembly.



2.4.2 Place bushing onto exterior glass mounting plate.



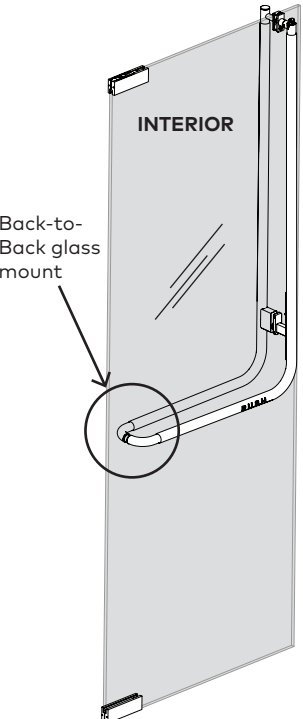
2.4.3 Place exterior pull against glass.



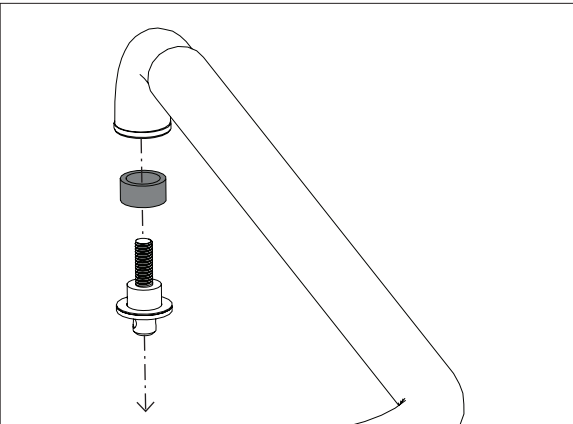
2.4.4 Secure interior glass mounting plate (through glass) to exterior pull assembly with included 5/16"-18 x 3/4" screw.

2.5 Mount exterior pull components - return tube (back-to-back)

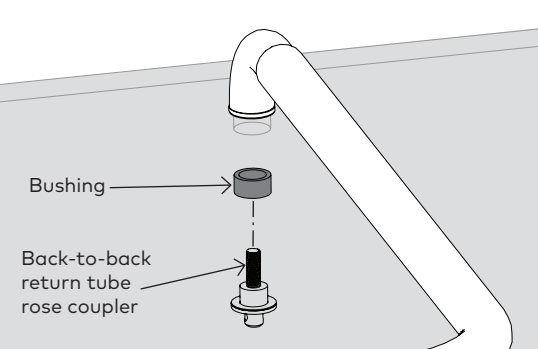
Fig 6



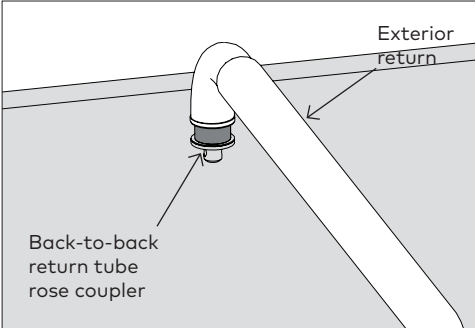
Pull Options	
Door side	Pull type
Interior	D
Exterior	D (shown)



2.5.1 Disassemble return tube components.



2.5.2 Place bushing onto the back-to-back return tube rose coupler.



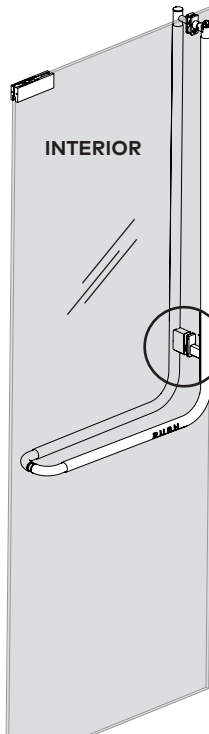
2.5.3 Thread coupler into exterior return.

NOTE: Ensure hole in coupler aligns with hole in interior return.

2.6 Mount interior pull components - actuator housing and int. pull

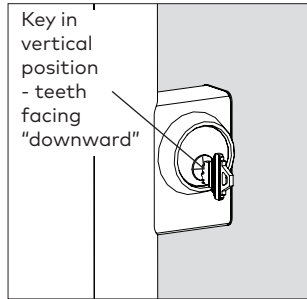
Fig 7

NOTE: FLIP DOOR OVER AND LAY FLAT ON SAW HORSES TO MOUNT THE INTERIOR SIDE COMPONENTS. INTERIOR SIDE SHOULD NOW FACE UP.

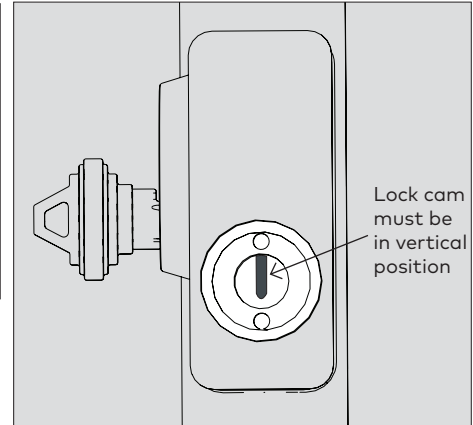


Pull Options	
Door side	Pull type
Interior	D
Exterior	D (shown)

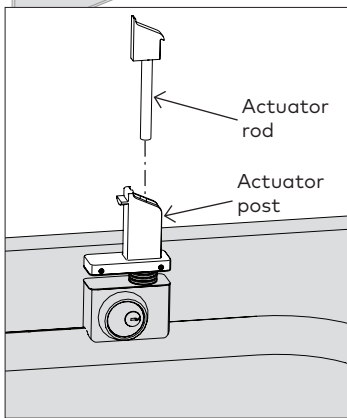
Actuator assembly



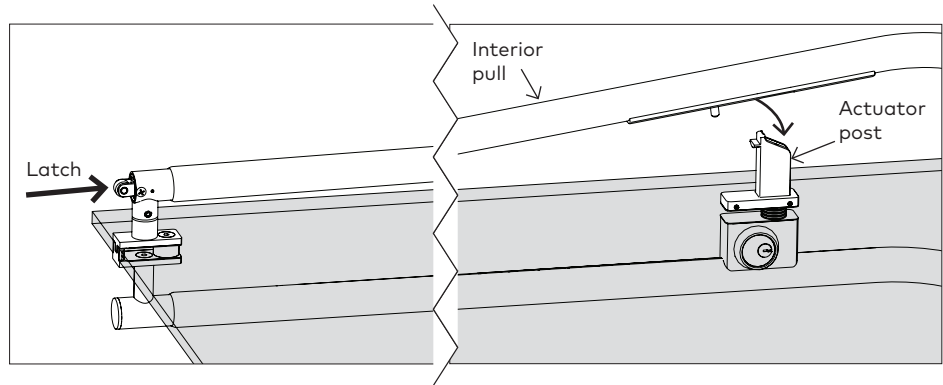
- 2.6.1 Check to ensure lock cam is in vertical position.
- Key should also be in vertical position.
 - Insert key with teeth facing "downward".



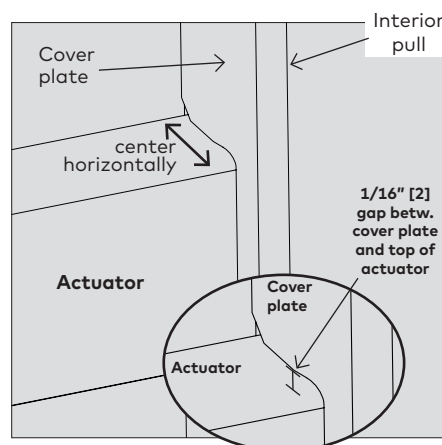
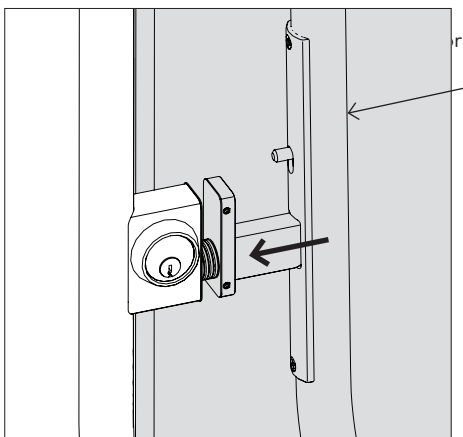
- Note that cam is in vertical position.



2.6.2 Slide the actuator rod into the actuator post.



2.6.3 Engage roller latch by pushing it down while simultaneously sliding interior pull down onto actuator post at an angle.

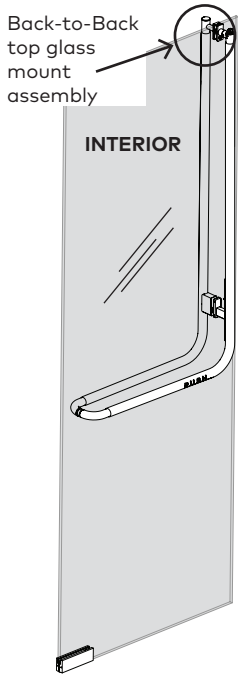


- 2.6.4 Push interior pull forward onto actuator post until it stops.
- 2.6.5 Release roller latch.
- 2.6.6 Ensure actuator is centered horizontally.
- 2.6.7 Ensure there is a 1/16" [2] gap between top of actuator and cover plate.

2.7 Mount interior pull components - top standoff

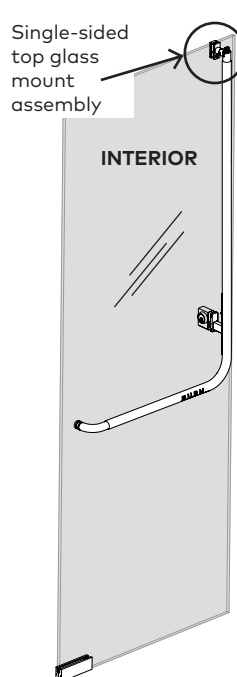
Fig 8

Back-to-back mount

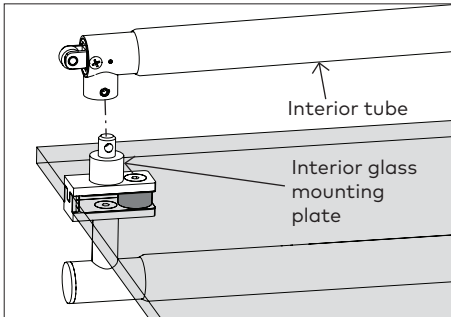


Pull Options	
Door side	Pull type
Interior	D
Exterior	D (shown)

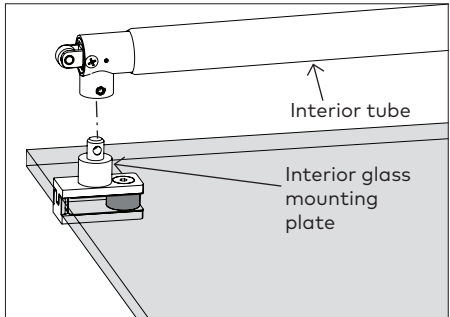
Single-sided mount



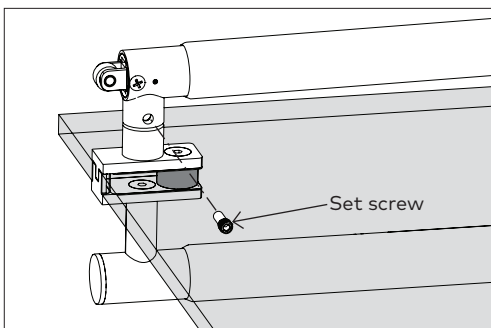
Pull Options	
Door side	Pull type
Interior	D
Exterior	Z (none)



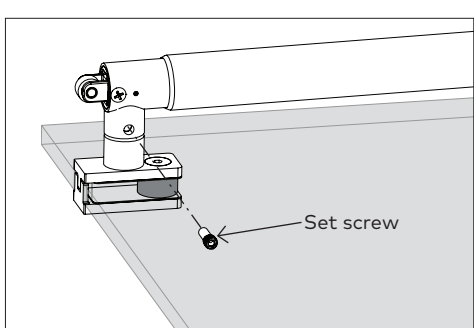
2.7.1 Slide interior tube onto interior glass mounting plate.



2.7.1 Slide interior tube onto interior glass mounting plate.



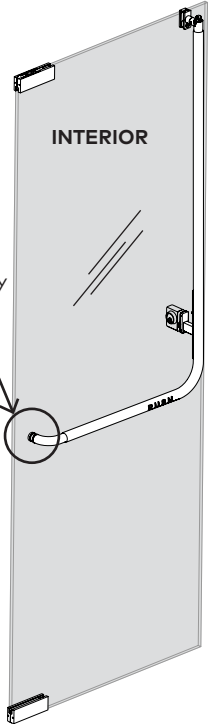
2.7.2 Secure to interior glass mounting plate via set screw.



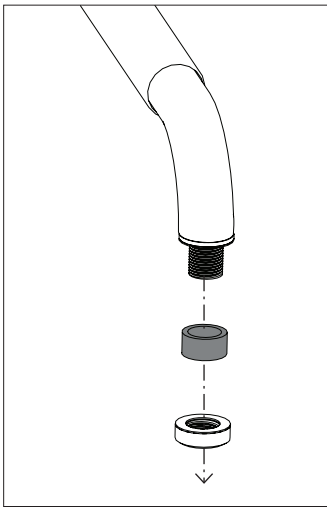
2.7.2 Secure to interior glass mounting plate via set screw.

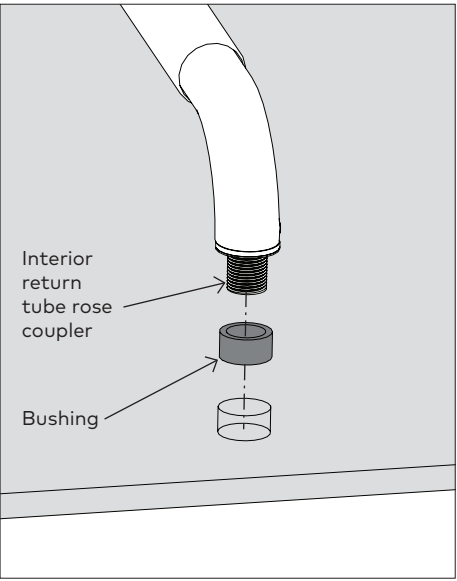
2.8 Mount interior pull components - return tube (single-sided)

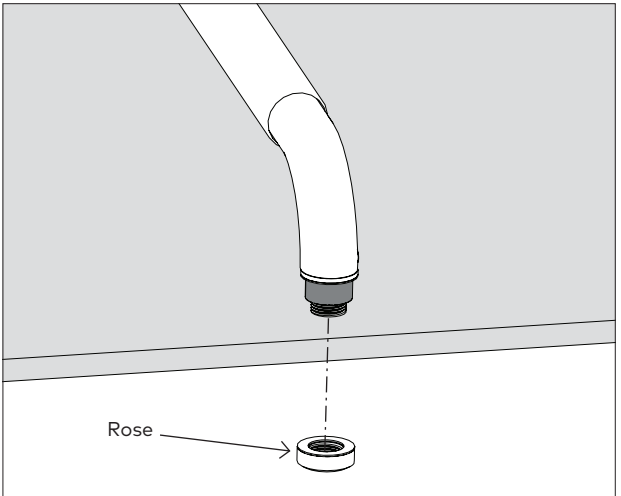
Fig 9



Pull Options	
Door side	Pull type
Interior	D
Exterior	none (Z) (shown)







2.8.1 Disassemble rose and bushing from interior return tube.

2.8.2 Insert bushing onto interior return tube rose coupler.

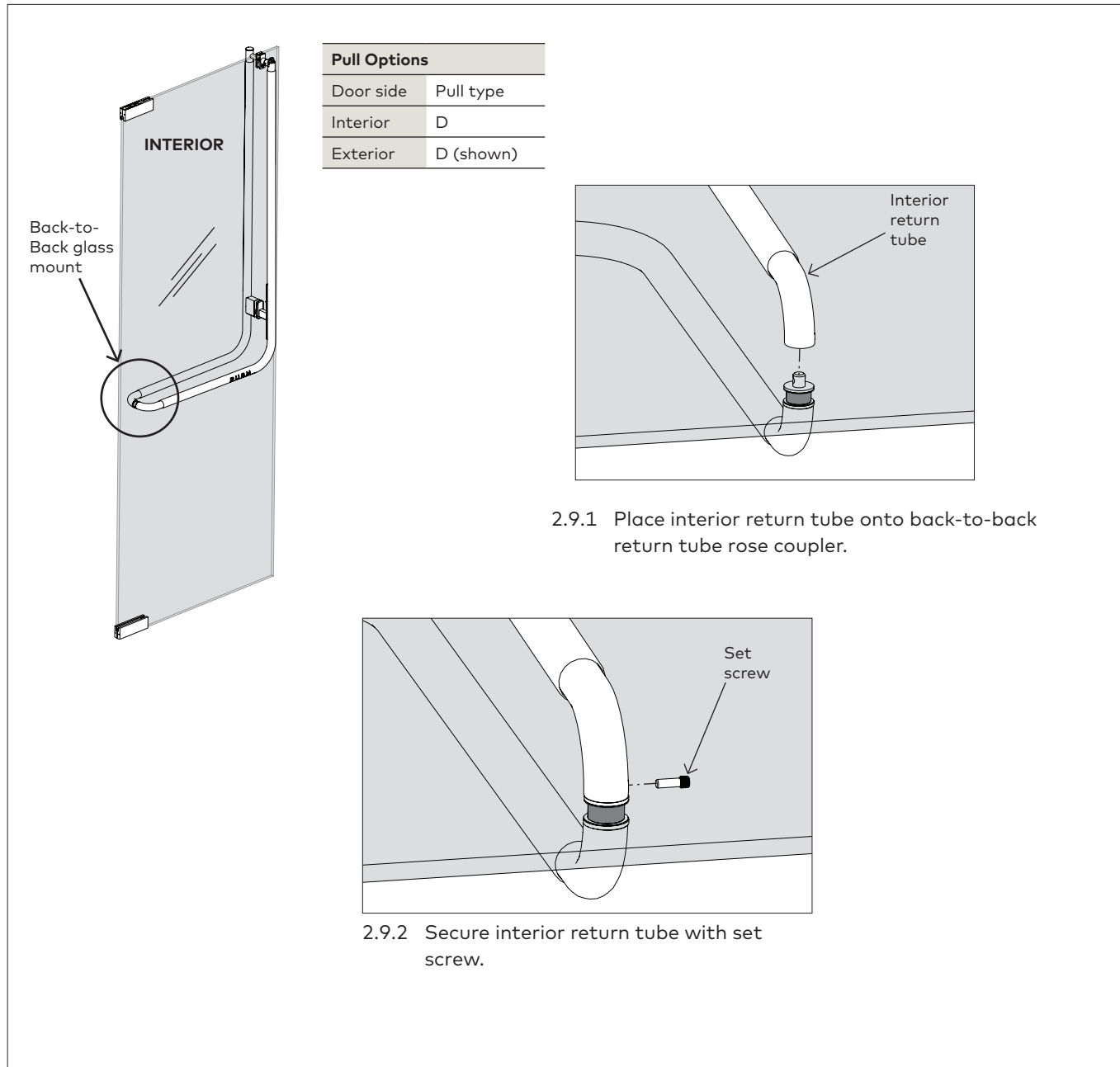
2.8.3 Insert interior return tube into hole in glass.

2.8.4 Thread rose onto interior return tube rose coupler.

NOTE: ADD LOCTITE® THREADLOCKER BLUE 242® DIRECTLY AFTER INSTALLATION OF THIS PART.

2.9 Mount interior pull components - return tube (back-to-back)

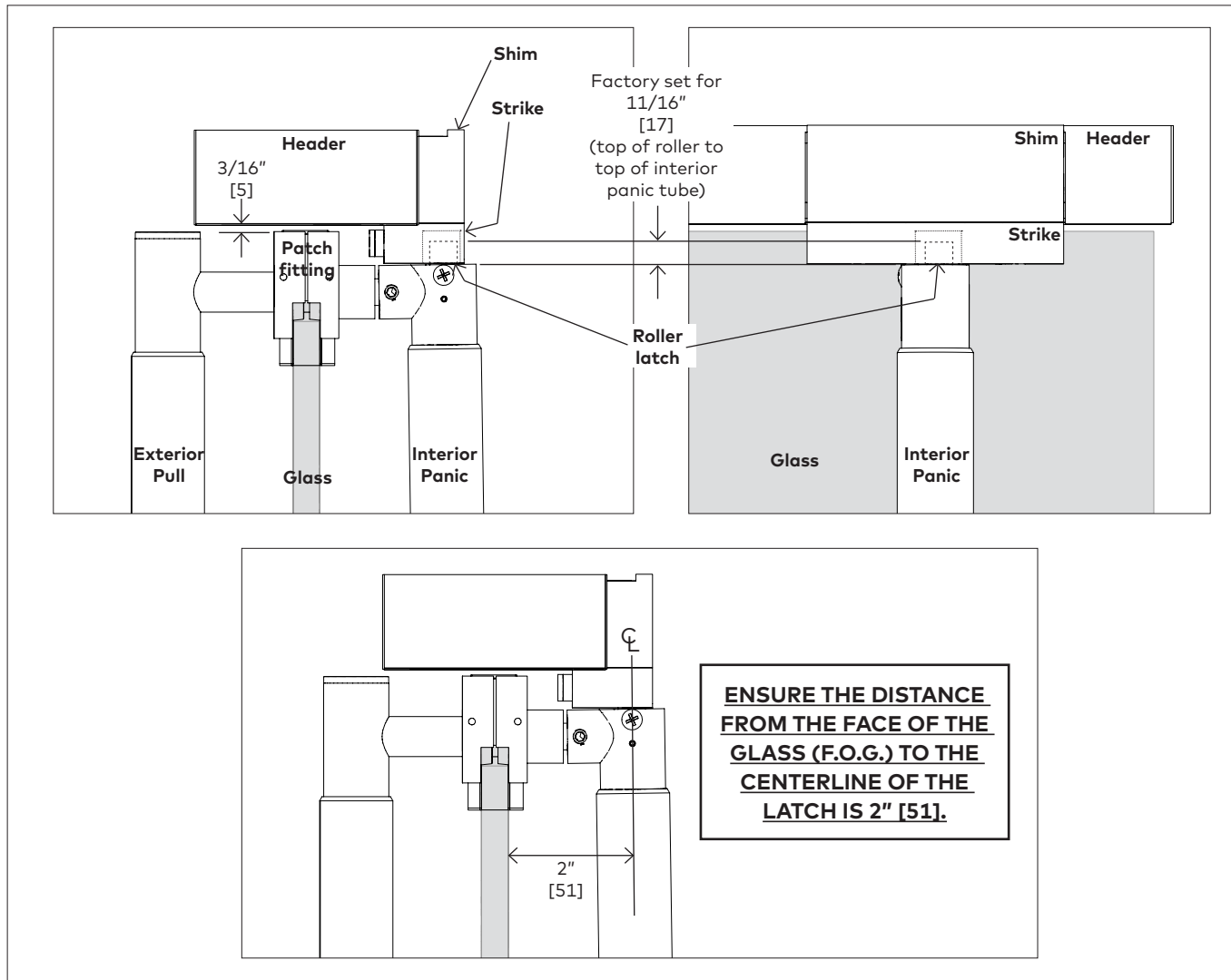
Fig 10



3 Adjustments

3.1 Clearances

Fig 11



3.1.1 Once the door is properly installed, ensure roller latch engages properly with strike.

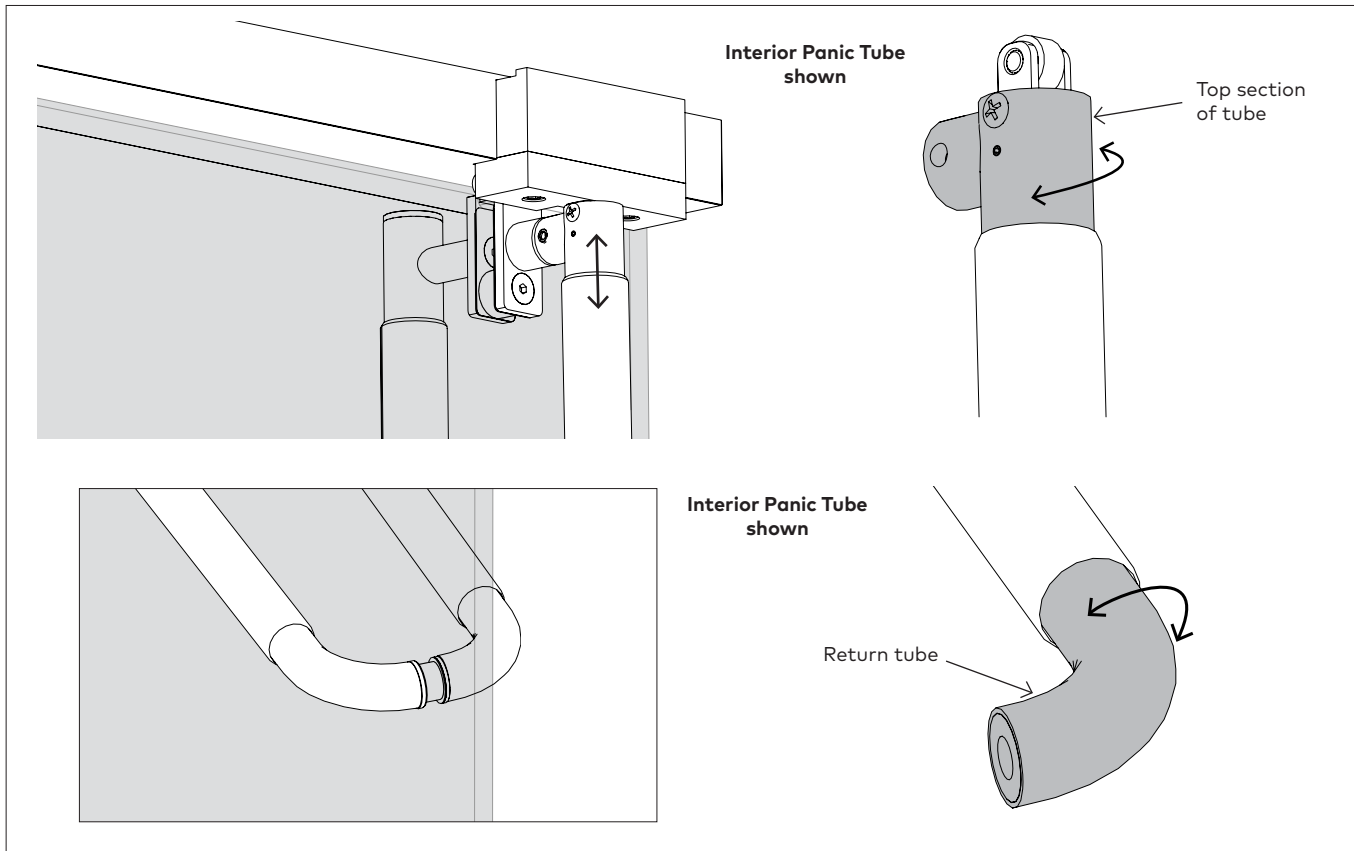
3.1.2 See step 3.2 for tube height or length adjustment.

3.1.3 Centerline of roller at top of roller latch should engage strike:

- minimum of 5/8" [16]
- maximum of 3/4" [19] (measure from top of the handle tubing to the top of the bolt that retains the roller.)

3.2 Final adjustments (tube height or length)

Fig 12



3.2.1 Ensure interior and exterior tubes are at the proper height and length.

3.2.2 To adjust height up or down:

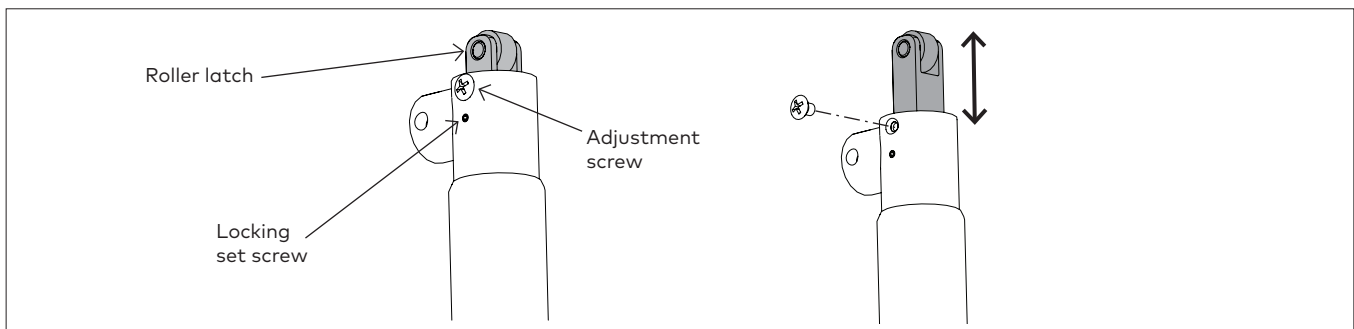
- Twist top/bottom sections of tube clockwise or counter clockwise until desired height is met.

3.2.3 To adjust length of tube:

- Twist return clockwise or counter clockwise until desired length is met.

3.3 Adjust roller latch

Fig 13



3.3.1 Ensure roller latch is at the proper height.

3.3.2 To adjust height up or down:

- Remove adjustment screw
- Loosen locking set screw (DO NOT REMOVE)
- Slide roller latch up or down until proper height is met.

3.3.3 Set latch height:

- Reinsert adjustment screw
- Tighten locking set screw

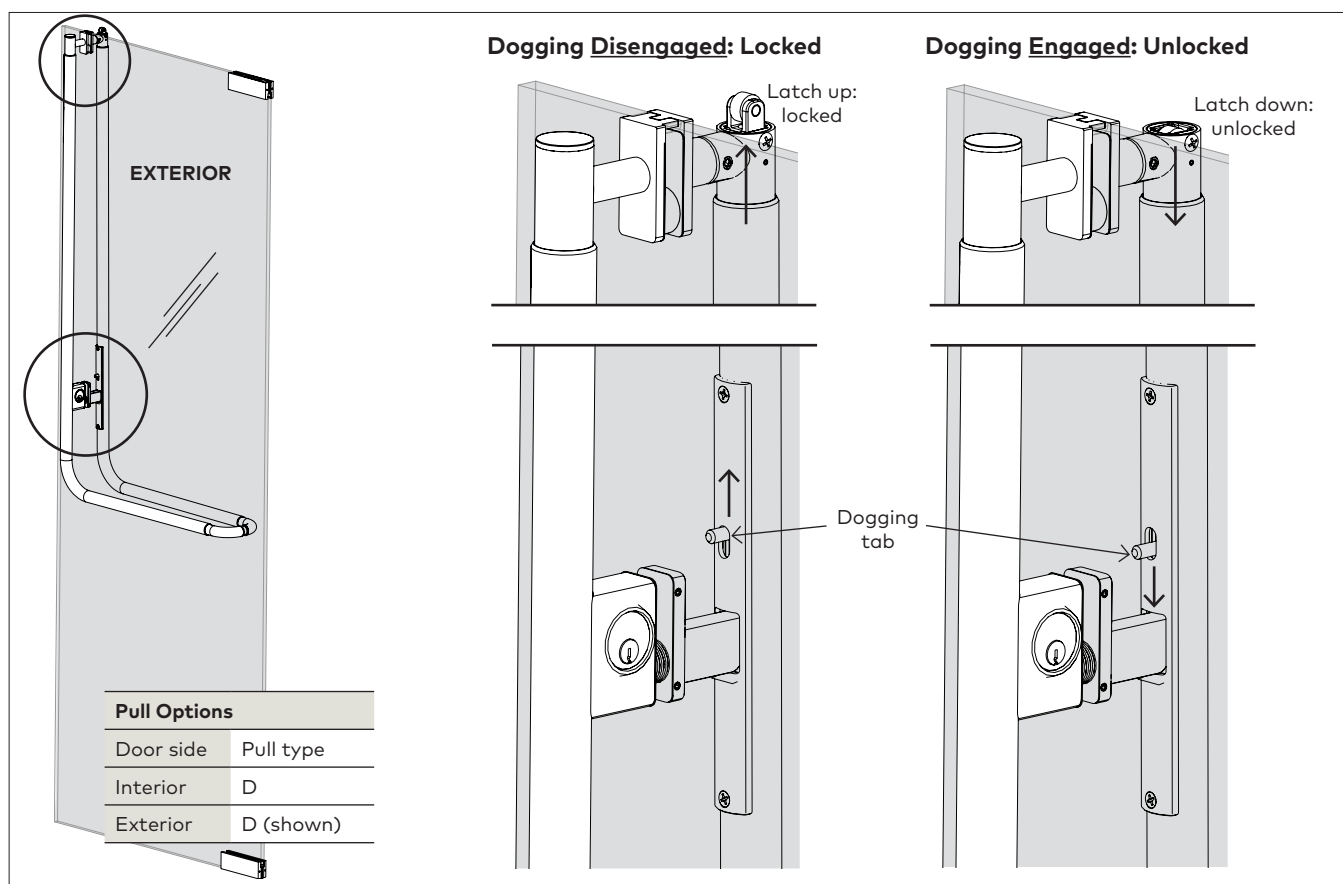
3.4 Loctite part list

GPII part	Referenced step
Actuator set screws *	Step 2.2
Interior glass mounting plate set screw *	Step 2.7.2
Interior return tube rose	Step 2.8.4
Interior return tube set screw *	Step 2.9.2
* To be completed after final adjustments (Step 3.2)	

4 Function

4.1 Locking the panic (dogging)

Fig 14



NOTE: The panic is always LOCKED unless the dogging feature is engaged on the interior of the door.

- 4.1.1 **Dogging Disengaged:** To keep door LOCKED from both exterior and interior sides - move dogging tab UP.
- 4.2.2 **Dogging Engaged:** To keep door UNLOCKED from both exterior and interior side:
 - press panic bar in and hold in place
 - move dogging tab DOWN SIMULTANEOUSLY

