

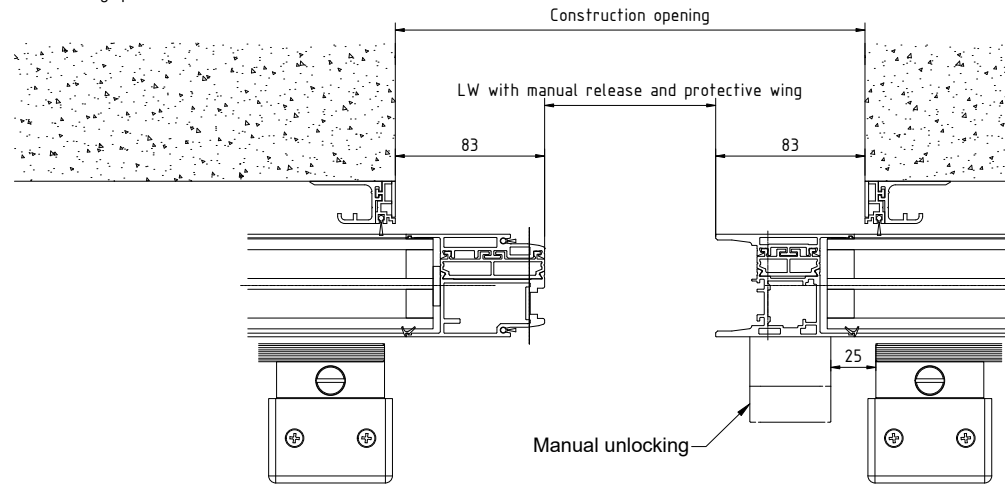
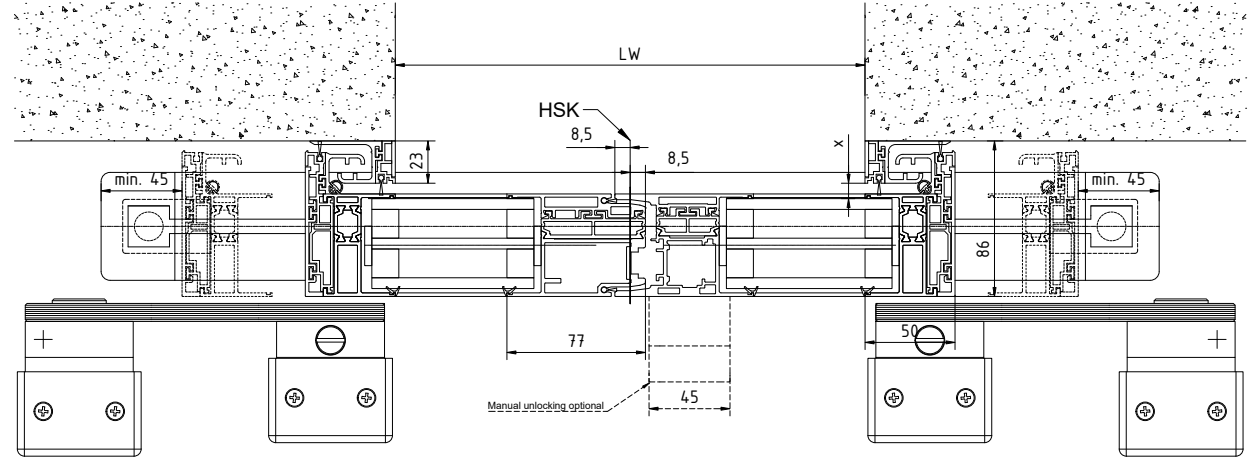
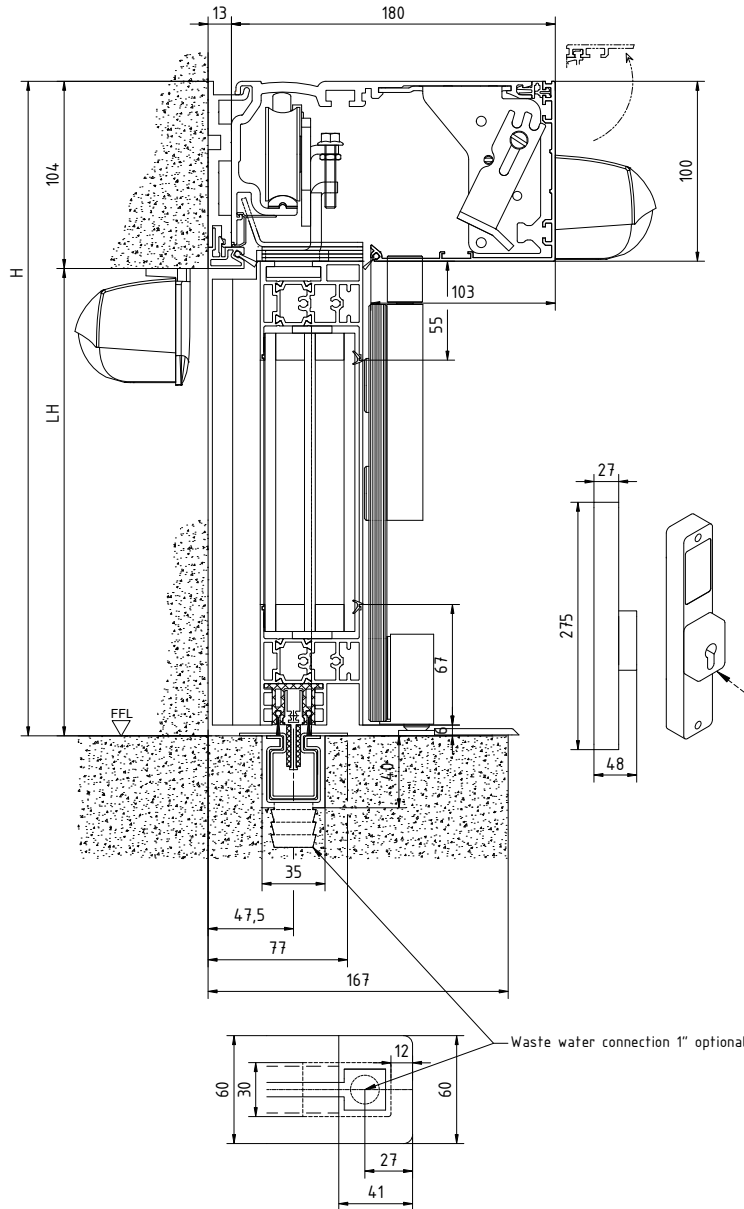
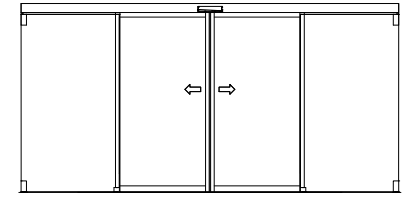
FFL	Finished floor level	Pro Green ES 400 PRO	Weight
LW	Passage width	1-leaf	1-leaf
LH	Clearance height	LW 800-3000	ES 400 PRO 1 x 250 kg
H	Installation height	B min. = 2 x LW + 227 (without fixed part / with post width 115mm)	
X	Noticed	2-leaf LW 1000 - 3000	2-leaf ES 400 PRO 2 x 200 kg
	According to EN 16005 / DIN 18650 Construction and testing principles for automatic: For doors, this dimension may only be 4 - 8 mm.	B min. = 2 x LW + 207 (without fixed part / without post width)	

Attention !  
the safety equipment of the automatic door must correspond to the risk analysis according to DIN 18650

Make sure the screws are secure!  
In the masonry with the in specified in the documentation anchors work.

Manual unlocking				
Usable European profile cylinder (European profile cylinder 17 mm) 35 x 70mm according to DIN 18252 P2BZ (Half cylinder European profile 17 mm) 35 x 10 according to DIN 18252 For operation from the inside KAB&A star Round cylinder D=22, Typ 1515, 32,5 x 72,5mm, Execution AW2 according to EN 1303 Half round cylinder: 32,5/10 (CH) For operation from the inside				
Date: _____ Name: _____ Position: _____ Project: _____ Revision: _____		Scale: 1:1 Drawing No: 257830-00-6-60 Date: 00		ES PROLINE Bringing you the Green R&D / R&D Insulating glass - without fixed part - increased floor net

FFL	Finished floor level	Pro Green ES 400 PRO	Weight
LW	Passage width	1-leaf	1-leaf
LH	Clearance height	LW 800-3000	ES 400 PRO 1 x 250 kg
H	Installation height	B min. = 2 x LW + 227 (without fixed part / with post width 115mm)	
X	Noticed		
According to EN 16005 / DIN 18650 Construction and testing principles for automatic. For doors, this dimension may only be 4 - 8 mm.			
		2-leaf LW 1000 - 3000 B min. = 2 x LW + 207 (without fixed part / without post width)	2-leaf ES 400 PRO 2 x 200 kg



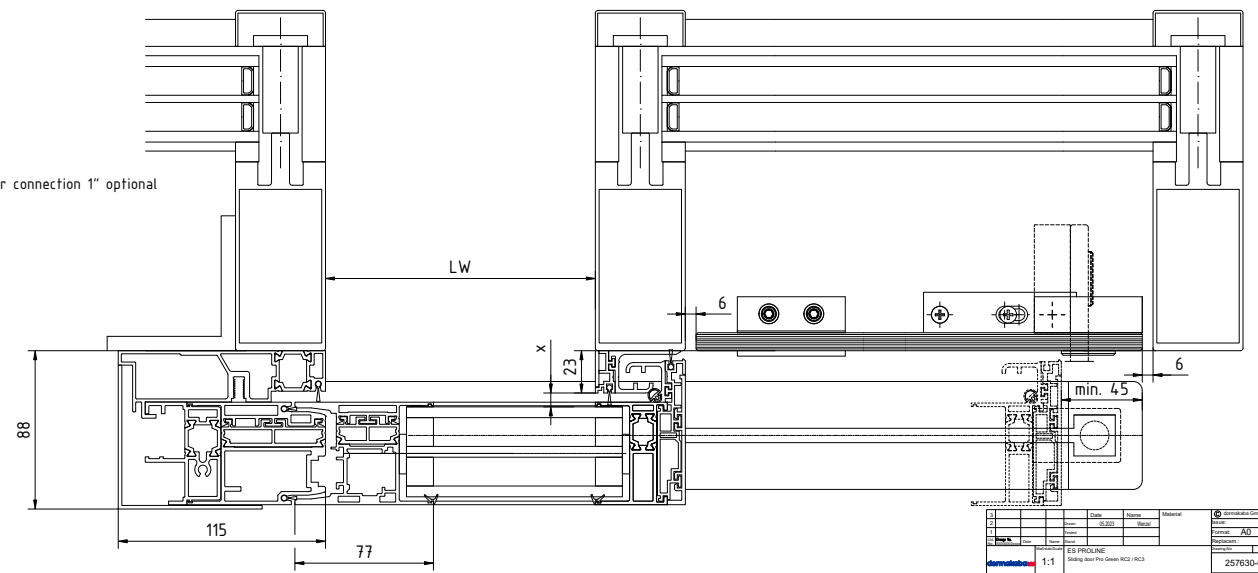
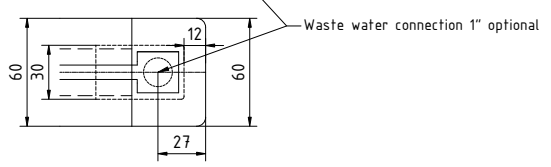
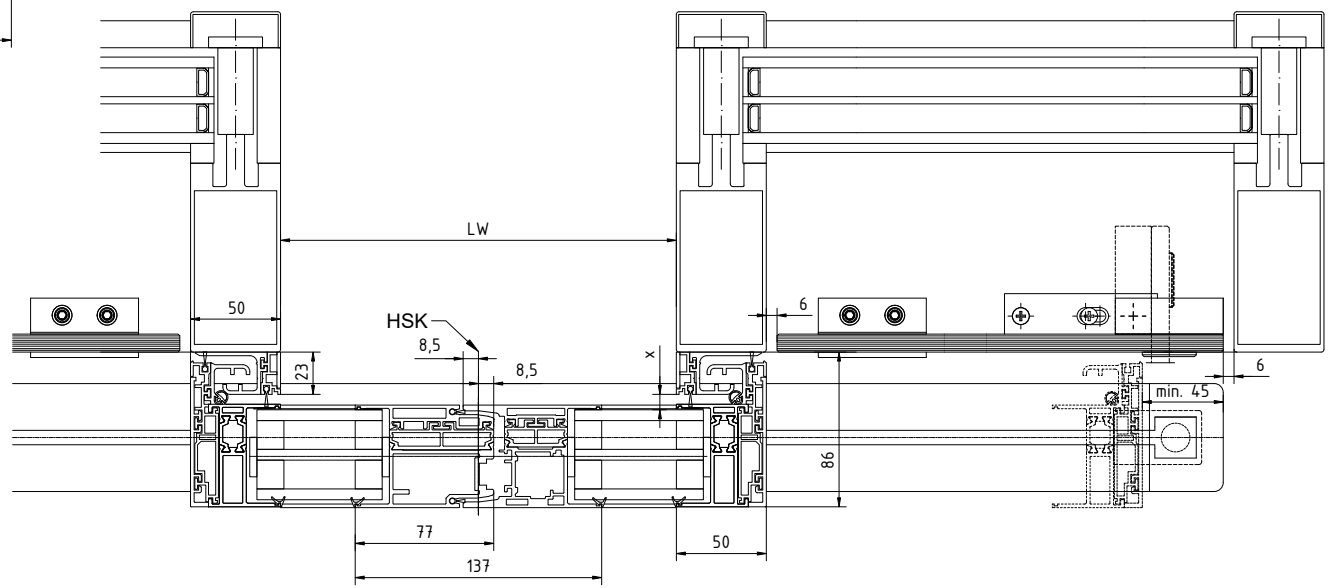
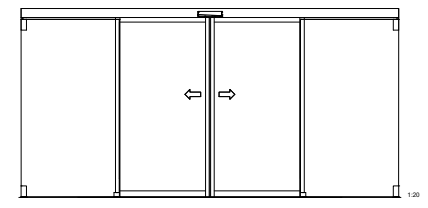
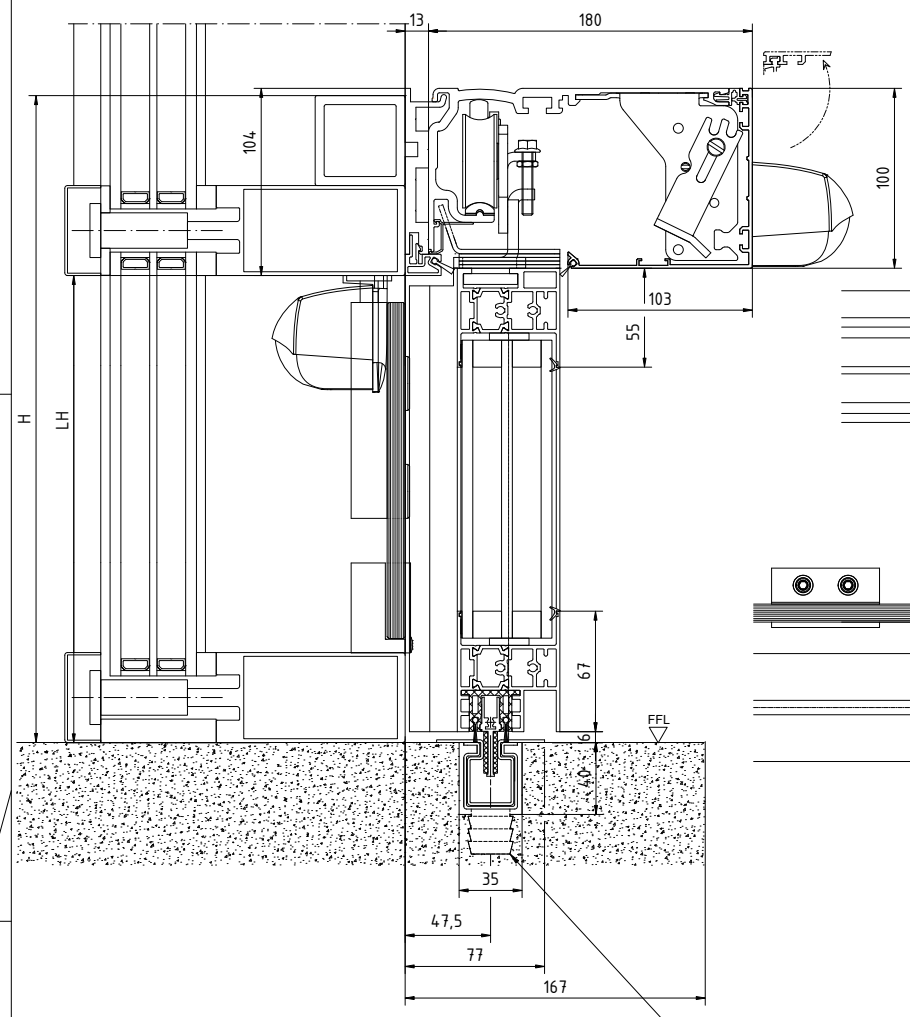
Make sure the screws are secure!  
In the masonry with the in-  
specified in the documentation  
anchors work.

Attention!  
the safety equipment of the automatic door must  
correspond to the risk analysis according to DIN 18650

Manual unlocking  
Usable European profile cylinder  
(European profile cylinder 17 mm) 35 x 70mm according to DIN 18252 P2BZ  
(Half cylinder European profile 17 mm) 35 x 10 according to DIN 18252  
For operation from the inside  
KABA star Round cylinder D=22, Typ 1515, 32,5 x 72,5mm,  
Execution AW2 according to EN 1303  
Half round cylinder: 32,5x10 (CH)  
For operation from the inside

1	ES PROLINE	257830-00-6-60	1
1:1		257830-00-6-60	1

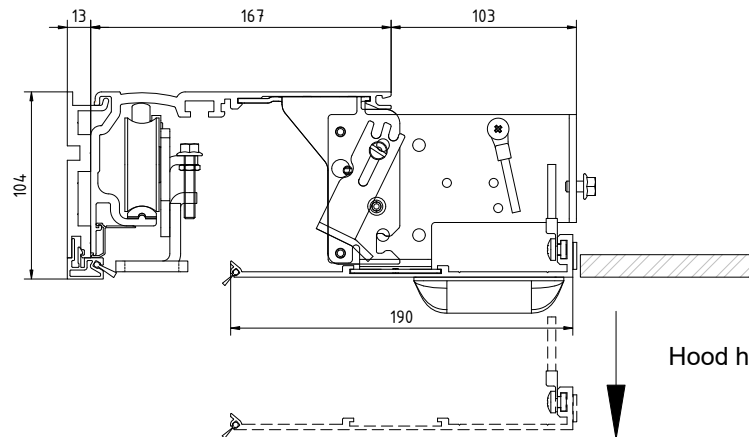
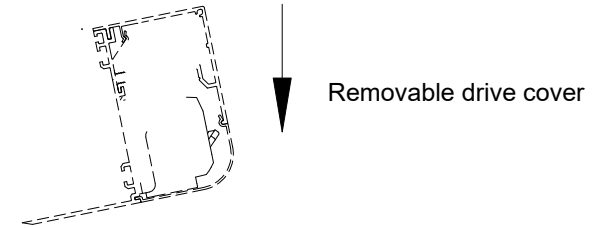
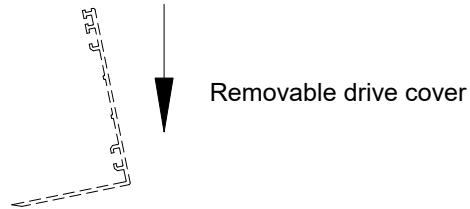
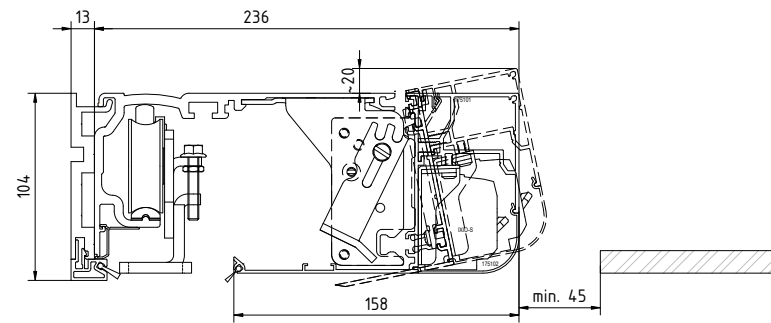
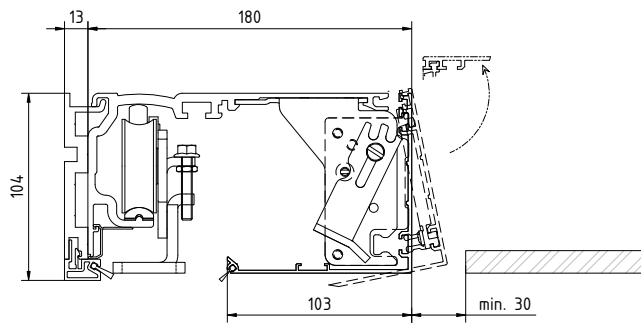
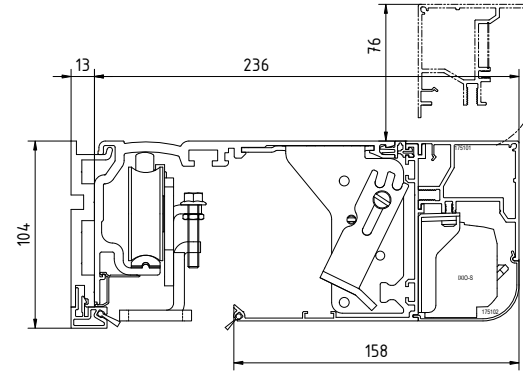
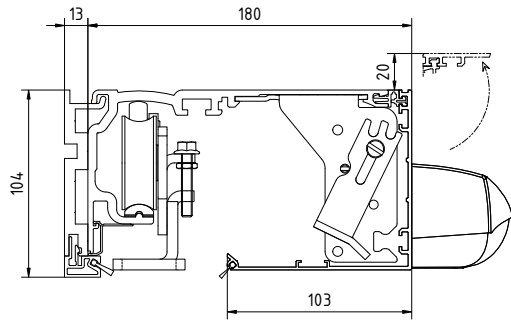
FFL	Finished floor level	Pro Green ES 400 PRO	Weight
LW	Passage width	1-leaf	1-leaf
LH	Clearance height	LW 800-3000	ES 400 PRO 1 x 250 kg
H	Installation height	B min. = 2 x LW + 227 (without fixed part / with post width 115mm)	
X	Noticed		
According to EN 16005 / DIN 18650 Construction and testing principles for automatic. For doors, this dimension may only be 4 - 8 mm.			
		2-leaf LW 1000 - 3000	2-leaf
		B min. = 2 x LW + 207 (without fixed part / without post width)	ES 400 PRO 2 x 200 kg



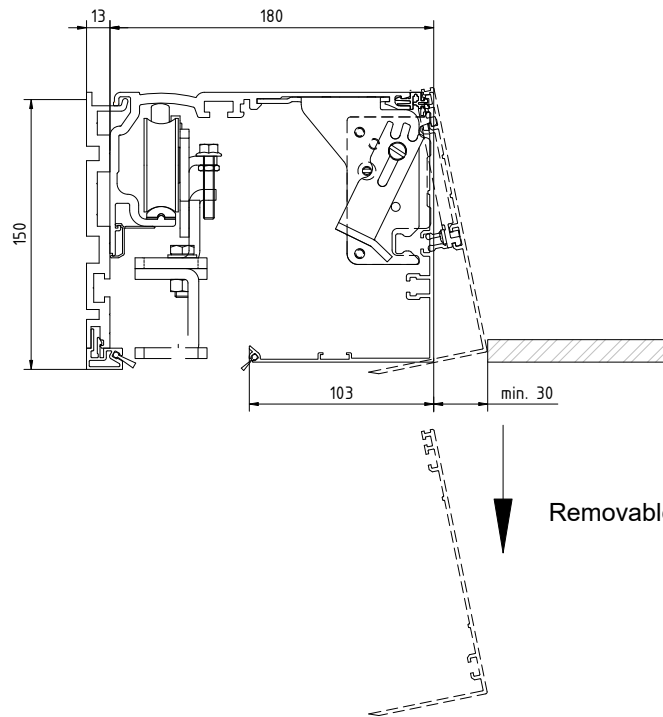
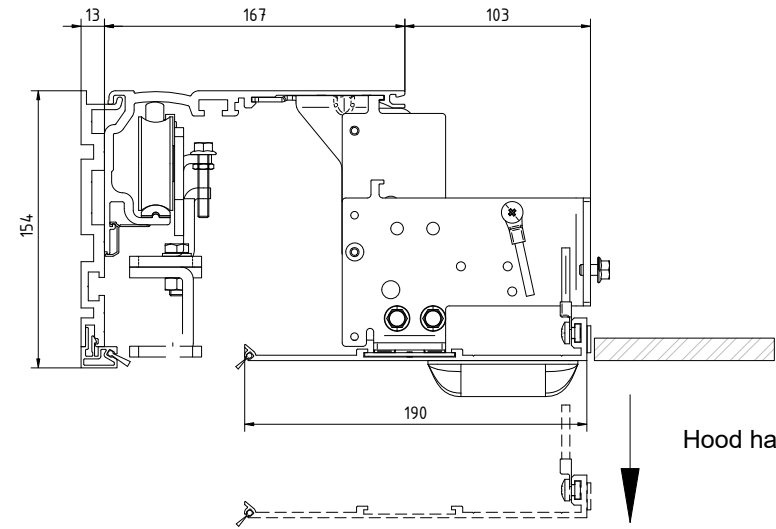
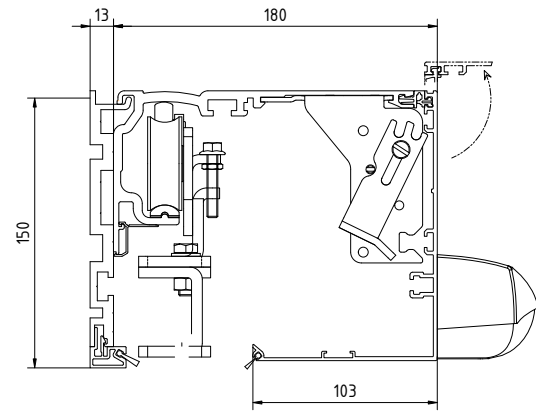
Attention!  
the safety equipment of the automatic door must correspond to the risk analysis according to DIN 18650

Make sure the screws are secure!  
In the masonry with the in specified in the documentation anchors work.

ES PROLINE	257830-00-6-60	1
ES PROLINE	257830-00-6-60	1
ES PROLINE	257830-00-6-60	1



Hood hatch



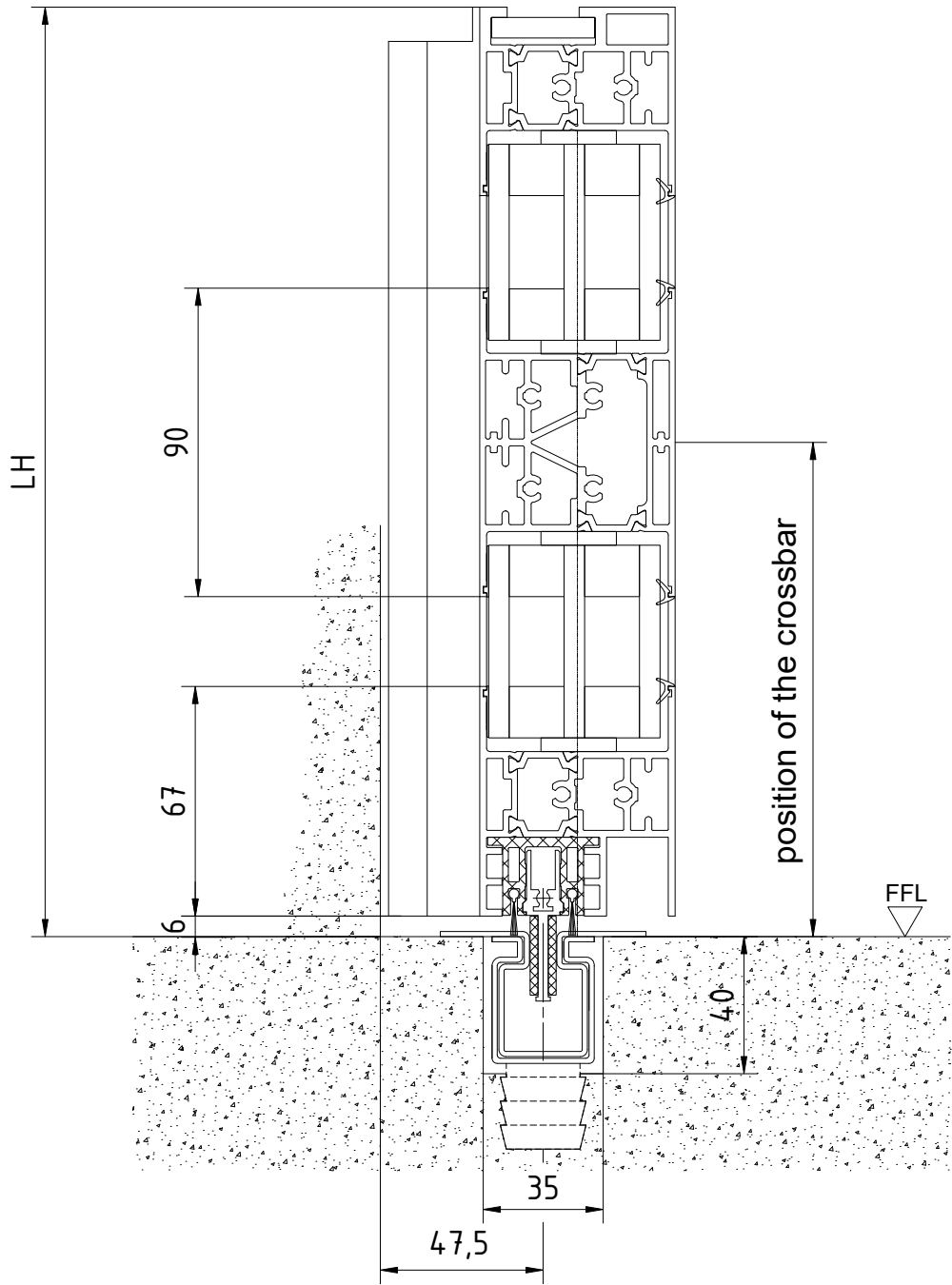
Hood hatch

Removable drive cover

Rev.	Desc.	Date	Name	Version
1	Issue	02.2011	AD	
2	Change			
3	Change			

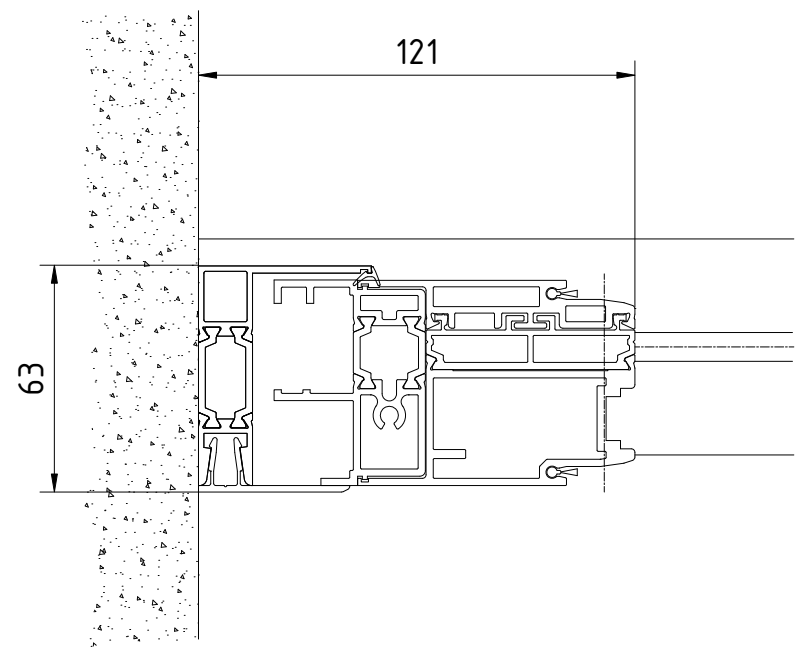
	<b>ES PROLINE</b> <small>Werkzeug für Gasen R12 / R13</small>	<small>257830-00-6-60</small>
<small>1:1</small>		<small>MECHANICAL DRAWING</small>



Distribution and reproduction of this document,  
 Use and communication of these contents is not permitted,  
 design for any other purpose. All rights reserved. In the case  
 of changes, the granting of patents or registration of other models.

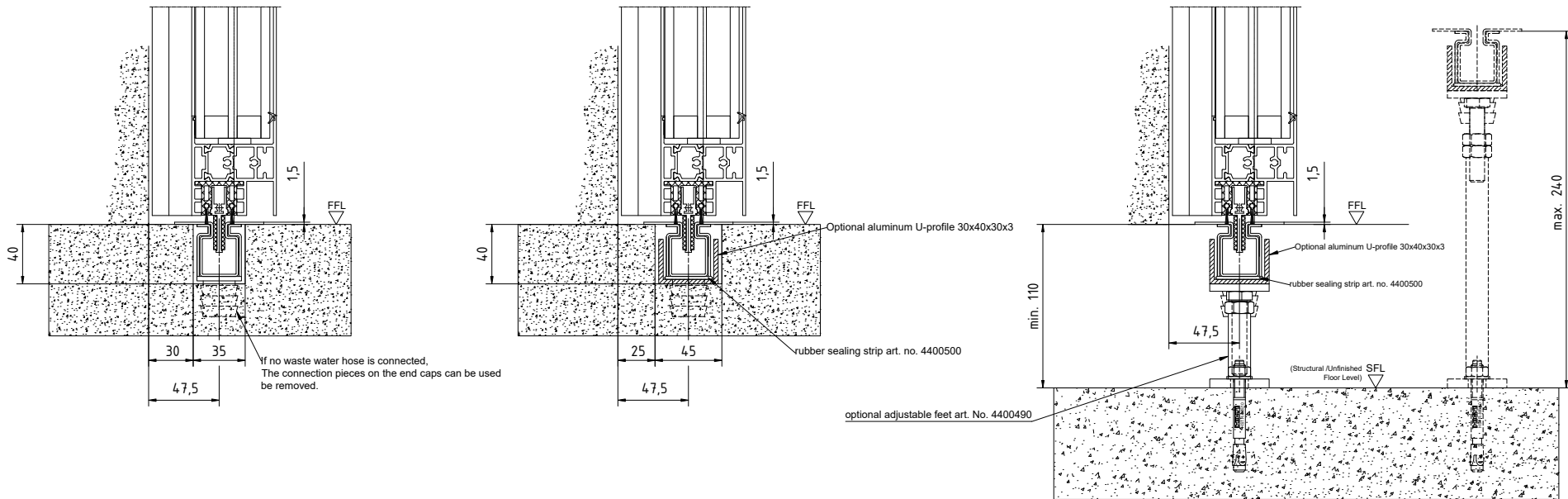
3				Date	Name	Material	© dormakaba GmbH+Co.KG (DE) Ennepetal				
2			Drawn	05.2023	Wenzel		Issue:				
1			Tested				Format:	A2			
Lid No.	Change No.	Date	Name	Stand.			Replacem.:				
							Drawing-No	Var.	Typ	Cond	Sheet
		Maßstab/Scale <b>1:1</b>		<b>ES PROLINE</b> sliding door Pro Green RC2 / RC3			<b>257630-00-6-60</b>			ven. Bl.	
crossbar - insulating glass - without fixed part - recessed floor rail							Var.:				

Distribution and reproduction of this document,  
 Use and communication of their content is not permitted,  
 design for any other purpose. All rights reserved. In the case  
 of subject to the granting of patents or registration of other models.



3				Date	Name	Material	© dormakaba GmbH+Co.KG (DE) Ennepetal				
2			Drawn	05.2023	Wenzel		Issue:				
1			Tested				Format:	A2			
Change No. (XXXXXX) Date Name Stand. Replacem.:							Drawing-No. Var. Typ Cond Sheet 257630-00-6-60 1 ven. Bl.				
		Maßstab/Scale 1:1		ES PROLINE Sliding door Pro Green RC2 / RC3 receiving post - insulating glass - without fixed part - recessed floor rail			Var.: 00				

Solutions for various construction situations. Each real situation is a particular case which must be clarified on site and may differ from these versions. The data can be found in the assembly instructions.



Vertical text on the left margin.

	Date	Name	Version
1	02/2017	AS	01

<b>ES PROLINE</b>		
Drinking water - Recycled (R2) / R23		
1:1	257830-00-6-60	1