



# Sensor Barriers

We make access in  
life smart and secure.

dormakaba 

# dormakaba Sensor Barriers

Contactless solutions for access control.



## Contents

04	<b>Half-height Sensor Barriers HSB</b>
	<b>Sensor Barrier HSB advantages</b>
	<b>Economical</b>
06	<b>HSB-E10 / HSB-E11</b>
	<b>Moderate</b>
07	<b>HSB-M01 / HSB-E07</b>
08	<b>HSB-E02 / HSB-E04</b>
	<b>Premium</b>
09	<b>HSB-E08</b>
10	<b>HSB-E12 / HSB-S05</b>
11	<b>Options</b>
12	<b>Optional components</b>
	<b>Installation options</b>
13	<b>Installation diagrams</b>
14	<b>Architectural and design consultation</b>
15	<b>Service and installation</b>

dormakaba's security Sensor Barriers offer ease of use in a contactless access control solution that is simple and effective — seamlessly handling large traffic flows quickly and efficiently.

# Entrance solutions by dormakaba

## Security. Sustainability. Reliability.

dormakaba stands for security, sustainability and reliability. Our mission is to make the lives of our customers smart and secure. Holding true to our mission, we invest in innovation to develop entrance solutions that exceed your demands and expectations.

The commitment to develop innovative yet practical products is what differentiates dormakaba. Our Sensor Barriers are powerful examples of our dedication to providing premium physical access systems that perform as designed throughout the life of your building.

**"The commitment to develop innovative yet practical solutions is what differentiates dormakaba."**

To ensure our entrance solutions perform at the highest level, we provide the most comprehensive offering of services in the industry. You can trust dormakaba for exceptional product support, including installation, retrofit, replacement and maintenance.

We will continue to deliver systems that define security and convenience. Together with first class service, on-going training and aftermarket sales support, our priority will always be adding value for our customers and esteem to our brands.



# Half-height Sensor Barriers HSB

## Slender, secure and convenient.

### Contactless passage

The dormakaba HSB product portfolio consists of sensor-controlled passage units with automatic door elements in various versions. The modular combination of personal safety, throughput rate and design enables entrances to be customized as required to provide convenient contactless passage, even with luggage.

Tried-and-tested HSB Sensor Barriers are equipped with door leaves, can be individually customized, and are offered in a wide variety of materials and finishes. You can choose between a stainless steel housing or transparent side walls to coordinate with the design of the entrance area. Moreover, the Sensor Barriers are available in three different lengths—depending on the sensor system used and the level of security desired.

### Sensor Barrier HSB advantages

- 36" (915 mm) width available—compliant with ADA standards.
- Integrates with any access control system.
- Comfortable passage, even with luggage.
- No contact with the door leaves.
- High throughput rate along with high level of personal safety.
- Different security levels for anti-tailgating requirements.
- Versatile transparent designs.
- Modular system.
- Door wings always open in direction of passage.
- Audio and visual alarm on unauthorized passage.
- Fire alarm integration.

Throughput rate	=	up to 30 per minute
Security level	=	●●●○○
Comfort	=	●●●●●
Staff supervision	=	yes

### Sensor Barrier HSB categories

- **Economical** units offer a minimal installation length and a simple sensor system monitors the passage area by offering single passage in both directions.
- **Moderate** units offer tailgating monitoring at 10" in both directions.
- **Premium** units offer tailgating monitoring at 4.5" in both directions. This enhanced sensor system includes luggage and child detection.



The modular combination of personal safety, throughput rate, and design enables entrances to be customized as required.



The slender profile in various configurations harmonizes with contemporary interior design.



Sensor Barriers stylishly integrate into timeless interiors, allowing convenient and secure passage.



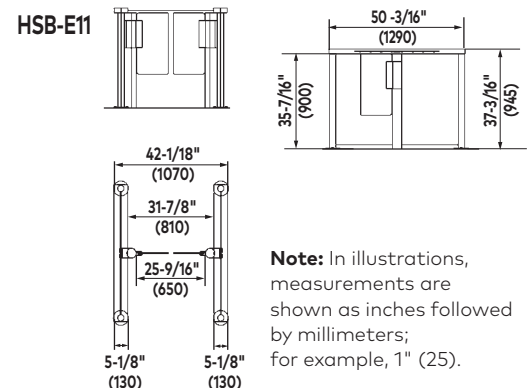
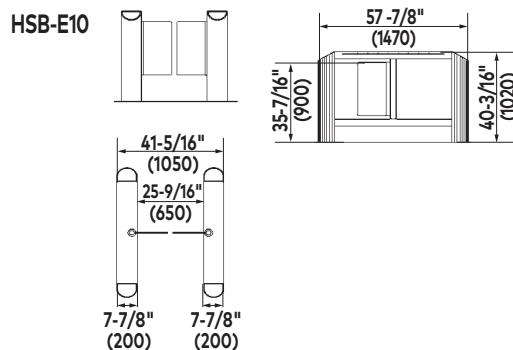
Sensor Barriers can be customized with extension units and other options depending on the unit specified.

# HSB-E10 / HSB-E11

## Economical



Standard units	HSB-E10	HSB-E11
Note	Description of single unit	Description of single unit
Interlock height	40-3/16" (1020 mm)	37-3/16" (945 mm)
Interlock length	57-7/8" (1470 mm)	50-13/16" (1290 mm)
Passage width	25-9/16" (650 mm)	25-9/16" (650 mm)
Total width	41-5/16" (1050 mm)	42-1/8" (1070 mm)
Housing, base columns, guiding elements	AISI 304 stainless steel with satin finish.	AISI 304 Ø2-3/8" (Ø60 mm) stainless steel tube with 3/8" (10 mm) toughened safety glass panel and AISI 304 stainless steel handrail with integrated sensor system..
Barrier elements	Two door leaves made of transparent polycarbonate; upper edge 35-7/16" (900 mm).	Two door leaves made of transparent polycarbonate, upper edge 3-7/16" (900 mm).
	Swinging area monitored by separation sensors.	Swinging area monitored by separation sensors.
Finish	Stainless steel semi-gloss smooth finish.	Stainless steel semi-gloss smooth finish.
Function	Type 2—power assisted motion; two servo-positioning drives/electrically controlled in both directions.	Type 2—power assisted motion; two servo-positioning drives/electrically controlled in both directions.
Drives	Integrated in the swing tube.	Integrated in the swing tube.
Operating modes	Closed—basic position closed "night operation": the door leaves open automatically in the direction of passage and then close again if authorization is granted.	Closed—basic position closed "night operation": the door leaves open automatically in the direction of passage and then close again if authorization is granted.
Electrical equipment	Control system and power supply integrated in the unit.	Control system and power supply integrated in the unit.
Power supply	110 – 230 VAC, 50/60 Hz. 368 VA	110 – 230 VAC, 50/60 Hz. 368 VA
Standby power consumption	17 VA	17 VA
Standard adjustment in case of power failure	Door leaves move freely.	Door leaves move freely.
Installation	Dowelled on finished floor level, FFL.	Dowelled on finished floor level, FFL.
	Not suitable for outdoor installation.	Not suitable for outdoor installation.
Protection classes	Housing IP43, components conducting supply voltage IP43.	Housing IP32, components conducting supply voltage IP42.

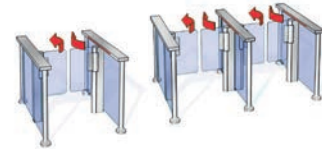


**Note:** In illustrations, measurements are shown as inches followed by millimeters; for example, 1" (25).

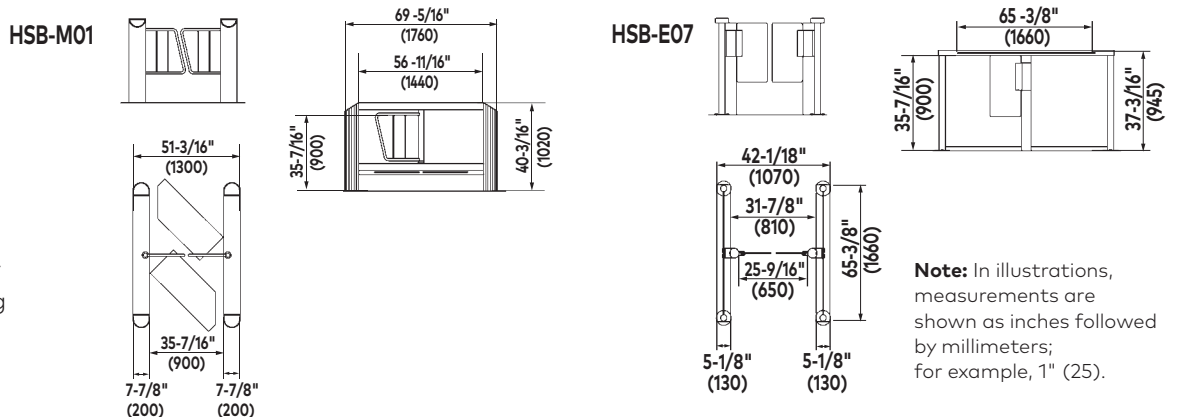
**Economical** units offer a minimal installation length and a simple sensor system monitors the passage area by offering single passage in both directions.

# HSB-M01 / HSB-E07

## Moderate



Standard units	HSB-M01	HSB-E07
Note	Description of single unit	Description of single unit
Interlock height	40-3/16" (1020 mm)	37-3/16" (945 mm)
Interlock length	69-5/16" (1760 mm)	65-3/8" (1660 mm)
Passage width	35-7/16" (900 mm)	25-9/16" (650 mm)
Total width	51-3/16" (1300 mm)	42-1/8" (1070 mm)
Housing, base columns, guiding elements	AISI 304 stainless steel with satin finish.	AISI 304 Ø2-3/8" (Ø60 mm) stainless steel tube with 3/8" (10 mm) toughened safety glass panel and AISI 304 stainless steel handrail with integrated sensor system.
Barrier elements	Two door leaves made of curved AISI 304 Ø 1-1/16" (26.9 mm) stainless steel tubes with Ø 3/8" (10 mm) vertical struts, upper edge 35-7/16" (900 mm).	Two door leaves made of transparent polycarbonate, upper edge 35-7/16" (900 mm)
	Swinging area monitored by a light grid.	Swinging area monitored by separation sensors.
Finish	Stainless steel semi-gloss smooth finish.	Stainless steel semi-gloss smooth finish.
Function	Type 2-power assisted motion; two servo-positioning drives/electrically controlled in both directions.	Type 2-power assisted motion; two servo-positioning drives/electrically controlled in both directions.
Drives	Integrated in the swing tube.	Integrated in the swing tube.
Operating modes	Closed-basic position closed "night operation": the door leaves open automatically in the direction of passage and then close again if authorization is granted.	Open-basic position open "day-operation": the door leaves are closed automatically if authorization is not granted for passage. Closed-basic position closed "night operation": the door leaves open automatically in the direction of passage and then close again if authorization is granted.
Electrical equipment	Control system and power supply integrated in the unit.	Control system and power supply integrated in the unit.
Power supply	110 – 230 VAC, 50/60 Hz. 368 VA	110 – 230 VAC, 50/60 Hz. 368 VA
Standby power consumption	17 VA	17 VA
Standard adjustment in case of power failure	Door leaves move freely.	Door leaves move freely.
Installation	Dowelled on finished floor level FFL.	Dowelled on finished floor level, FFL.
	Suitable for outdoor installation.	Not suitable for outdoor installation.
Protection classes	Housing IP54, components conducting supply voltage IP54.	Housing IP32, components conducting supply voltage IP42.



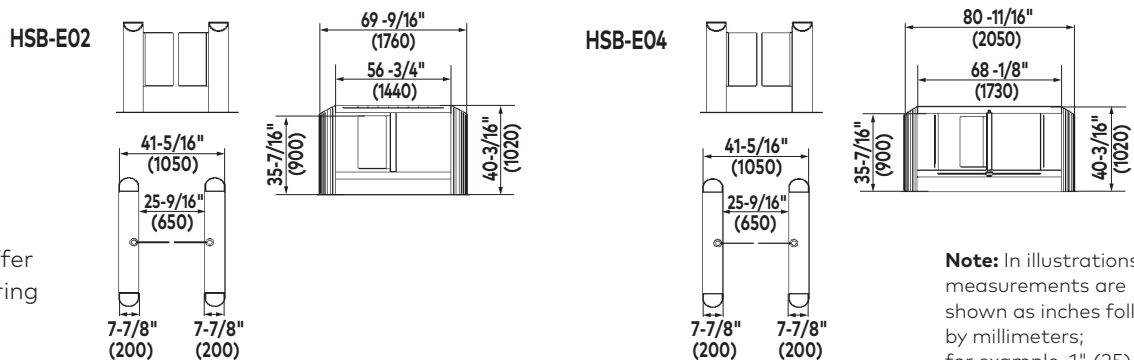
Moderate units offer tailgating monitoring at 10" in both directions.

# HSB-E02 / HSB-E04

## Moderate



Standard units	HSB-E02	HSB-E04
Note	Description of single unit	Description of single unit
Interlock height	40-3/16" (1020 mm)	40-3/16" (1020 mm)
Interlock length	69-5/16" (1760 mm)	80-11/16" (2050 mm)
Passage width	25-9/16" (650 mm)	25-9/16" (650 mm)
Total width	41-5/16" (1050 mm)	41-5/16" (1050 mm)
Housing, base columns, guiding elements	AISI 304 stainless steel with satin finish.	AISI 304 stainless steel with satin finish.
Barrier elements	Two door leaves made of transparent polycarbonate; upper edge 35-7/16" (900 mm). Swinging area monitored by separation sensors.	Two door leaves made of transparent polycarbonate, upper edge 35-7/16" (900 mm). Swinging area monitored by separation sensors.
Finish	Stainless steel semi-gloss smooth finish.	Stainless steel semi-gloss smooth finish.
Function	Type 2-power assisted motion; two servo-positioning drives/electrically controlled in both directions.	Type 2- power assisted motion; two servo-positioning drives/electrically controlled in both directions.
Drives	Integrated in the swing tube.	Integrated in the swing tube.
Operating modes	Open–basic position open "day-operation": the door leaves are closed automatically if authorization is not granted for passage.  Closed–basic position closed "night operation": the door leaves open automatically in the direction of passage and then close again if authorization is granted.	Open–basic position open "day-operation": the door leaves are closed automatically if authorization is not granted for passage.  Closed–basic position closed "night operation": the door leaves open automatically in the direction of passage and then close again if authorization is granted.
Electrical equipment	Control system and power supply integrated in the unit.	Control system and power supply integrated in the unit.
Power supply	110 – 230 VAC, 50/60 Hz. 368 VA	110 – 230 VAC, 50/60 Hz. 368 VA
Standby power consumption	17 VA	17 VA
Standard adjustment in case of power failure	Door leaves move freely.	Door leaves move freely.
Installation	Dowelled on finished floor level, FFL. Not suitable for outdoor installation.	Dowelled on finished floor level, FFL. Not suitable for outdoor installation.
Protection classes	Housing IP43, components conducting supply voltage IP43.	Housing IP43, components conducting supply voltage IP43.



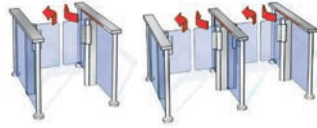
**Moderate** units offer tailgating monitoring at 10" in both directions.

**Note:** In illustrations, measurements are shown as inches followed by millimeters; for example, 1" (25).



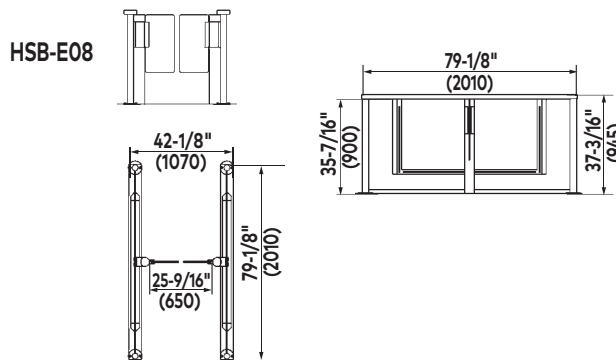
# HSB-E08

## Premium



Standard units	HSB-E08
Note	Description of single unit
Interlock height	37-3/16" (945 mm)
Interlock length	79-1/8" (2010 mm)
Passage width	2-9/16" (650 mm)
Total width	42-1/8" (1070 mm)
Housing, base columns, guiding elements	AISI 304 Ø2-3/8" (Ø60 mm) stainless steel tube with 3/8" (10 mm) toughened safety glass panel and AISI 304 stainless steel handrail as well as horizontal and vertical sensors mounted on the guiding elements.
Barrier elements	Two door leaves made of transparent polycarbonate, upper edge 35 7/16" (900 mm).  Swinging area monitored by separation sensors.
Finish	Stainless steel semi-gloss smooth finish.
Function	Type 2–power assisted motion; two servo-positioning drives/ electrically controlled in both directions.
Drives	Integrated in the swing tube.
Operating modes	Open–basic position open "day-operation": the door leaves are closed automatically if authorization is not granted for passage.  Closed–basic position closed "night operation": the door leaves open automatically in the direction of passage and then close again if authorization is granted.
Electrical equipment	Control system and power supply integrated in the unit.
Power supply	110 – 230 VAC, 50/60 Hz. 368 VA
Standby power consumption	17 VA
Standard adjustment in case of power failure	Door leaves move freely.
Installation	Dowelled on finished floor level, FFL.  Not suitable for outdoor installation.
Protection classes	Housing IP32, components conducting supply voltage IP42.

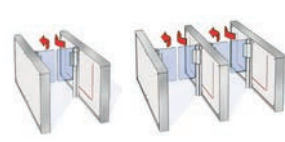
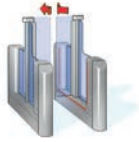
**Premium** units offer tailgating monitoring at 4.5" in both directions. This enhanced sensor system includes luggage and child detection.



**Note:** In illustrations, measurements are shown as inches followed by millimeters; for example, 1" (25).

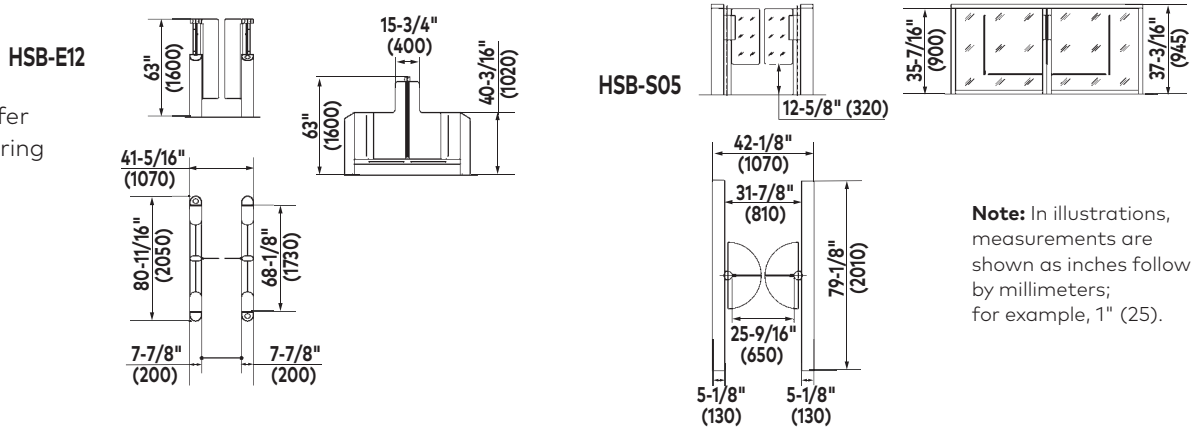
# HSB-E12 / HSB-S05

## Premium



Standard units	HSB-E12	HSB-S05
Note	Description of single unit	Description of single unit
Interlock height	63" (1600 mm)	37-3/16" (945 mm)
Interlock length	80-11/16" (2050 mm)	79-1/8" (2010 mm)
Passage width	25-9/16" (650 mm)	25-9/16" (650 mm)
Total width	41-5/16" (1050 mm)	42-1/8" (1070 mm)
Housing, base columns, guiding elements	AISI 304 stainless steel with satin finish.	Rectangular AISI 304 stainless steel posts with 5/16" (8 mm) satin-finished toughened safety glass panel and AISI 304 stainless steel handrail as well as horizontal and vertical sensors integrated in the guiding elements.
Barrier elements	Two door leaves made of transparent polycarbonate, upper edge 35-7/16" (900 mm). Swinging area monitored by separation sensors.	Two door leaves made of transparent polycarbonate, upper edge 35-7/16" (900 mm). Swinging area monitored by separation sensors.
Finish	Stainless steel semi-gloss smooth finish.	Stainless steel semi-gloss smooth finish.
Function	Type 2–power assisted motion; two servo-positioning drives/electrically controlled in both directions.	Type 2– power assisted motion; two servo-positioning drives/electrically controlled in both directions.
Drives	Integrated in the swing tube.	Integrated in the swing tube.
Operating modes	Open–basic position open "day-operation": the door leaves are closed automatically if authorization is not granted for passage. Closed–basic position closed "night operation": the door leaves open automatically in the direction of passage and then close again if authorization is granted.	Open–basic position open "day-operation": the door leaves are closed automatically if authorization is not granted for passage. Closed–basic position closed "night operation": the door leaves open automatically in the direction of passage and then close again if authorization is granted.
Electrical equipment	Control system and power supply integrated in the unit.	Control system and power supply integrated in the unit.
Power supply	110 – 230 VAC, 50/60 Hz. 368 VA	110 – 230 VAC, 50/60 Hz. 368 VA
Standby power consumption	17 VA	17 VA
Standard adjustment in case of power failure	Door leaves move freely.	Door leaves move freely.
Installation	Dowelled on finished floor level, FFL. Not suitable for outdoor installation.	Dowelled on finished floor level, FFL. Not suitable for outdoor installation.
Protection classes	Housing IP43, components conducting supply voltage IP43.	Housing IP32, components conducting supply voltage IP42.

**Premium** units offer tailgating monitoring at 4.5" in both directions. This enhanced sensor system includes luggage and child detection.



**Note:** In illustrations, measurements are shown as inches followed by millimeters; for example, 1" (25).

# Options

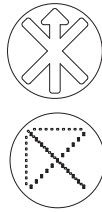
	Economical		Moderate				Premium		
	HSB-E10	HSB-E11	HSB-M01	HSB-E07	HSB-E02	HSB-E04	HSB-E08	HSB-E12	HSB-S05
Cover plate made of wood.	-	-	-	-	-	o	o	-	-
Passage width increased to 35-7/16" (900 mm) for disabled users and transit of goods.	o	o	-	o	o	o	o	o	o
Angular base columns.	-	o	-	o	-	-	o	-	-
AISI 304 back wall.	o	-	o	-	o	o	-	-	-
AISI 304 closed base.	o	-	-	-	o	o	-	-	o
Door leaf extends to a height of 47-1/4" (1200 mm) instead of 35-7/16" (900 mm).	-	-	-	-	-	-	o	-	o
Door leaf extends to a height of 70-7/8" (1800 mm) instead of 63" (1600 mm).	-	-	-	-	-	-	-	o	-
<b>Function</b>									
Induction loops embedded in concrete stones.	-	-	o	-	-	-	-	-	-
Emergency and escape route modules with emergency push button, additional emergency push button available.	o	o	o	o	o	o	o	o	o
<b>Electrical equipment</b>									
Installation preparation on flat surface for on-site components or using mounting plate for surface installation.	o	o	o	o	o	o	o	o	-
Plastic cover plates instead of stainless steel plate for installation of antennas provided by customer.	o	-	o	-	o	o	-	o	o
Push button for manual single release.	o	o	o	o	o	o	o	o	o
Operating panel and frame or surface mount housing.	o	o	o	o	o	o	o	o	o
Additional boards to expand the existing inputs and outputs.	o	o	o	o	o	o	o	o	o
Various signal devices..	o	o	o	o	o	o	o	o	o
<b>Installation</b>									
Pallet with stainless steel ramp and non-slip rubber covering, height approx. 1-1/4" (32 mm).	o	o	o	o	o	o	o	o	o
On adjustable mounting plate X = 3-1/8" – 7-1/16" (80–180 mm) for sub floor level..	o	o	o	o	o	o	o	o	o
With cast-in clamping elements and cover rosettes for sub floor level.	-	o	-	o	-	-	o	-	-

o optional    - not available

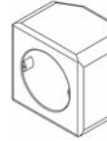
# Optional components



OPL 05 operating panel

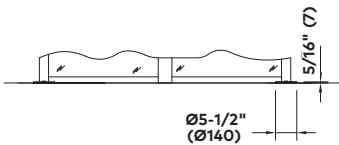


Signal device LED arrow-cross (installed in the housing or in the cover plate on both sides)

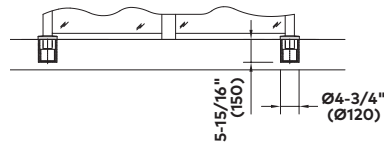


Console 1 with plastic adapter in RAL 9006, W,H,D 3-11/16", 3-11-16", 2-9/16" (94/94/65 mm) with Ø2-9/16" (Ø65 mm) cut-out, fixed to lateral barrier.

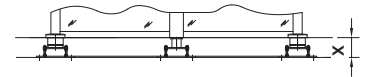
# Installation options



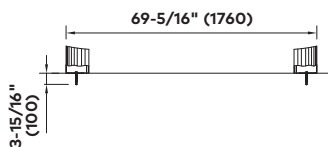
Installation HSB-E07, -E08, -E11 doweled on finished floor level FFL



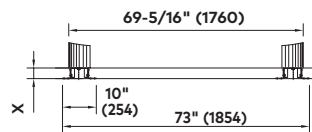
Cast-in with clamping elements



On sub floor level SFL with mounting plates



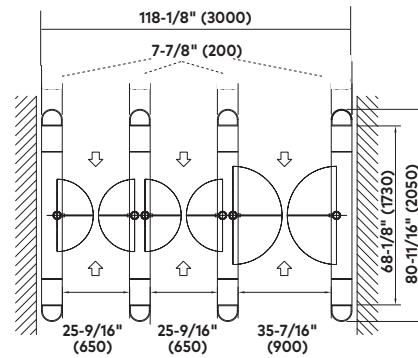
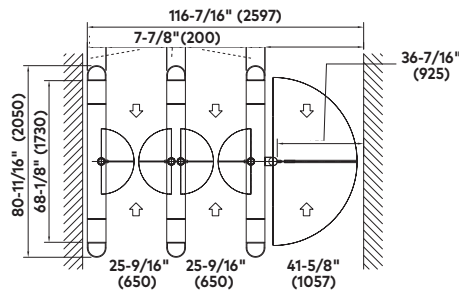
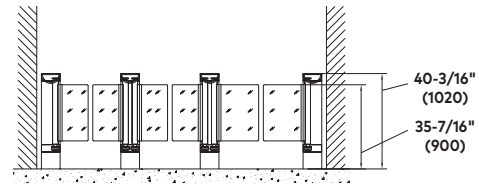
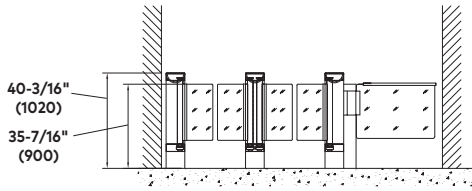
Installation HSB-E02, -E04, -E10, -M01 doweled on finished floor level FFL



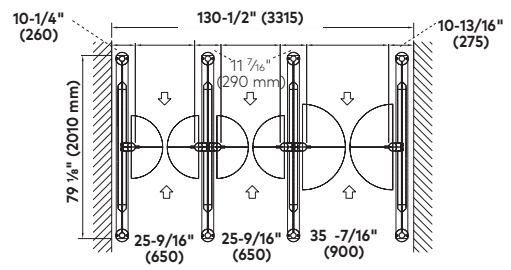
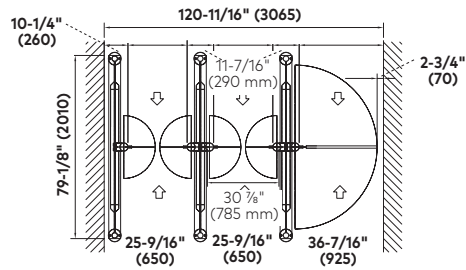
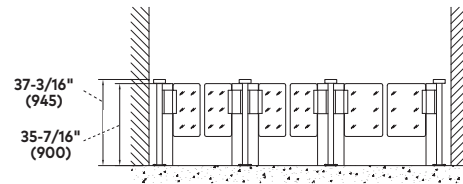
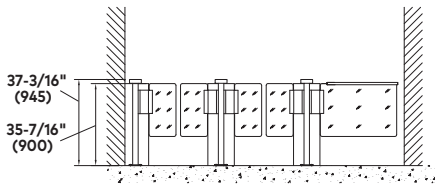
On sub floor level SFL with mounting plates level FFL

# Installation diagrams

## HSB-E04 examples



## HSB-E08 examples



# Architectural and design consultation

## Project support at every phase.



We provide the most comprehensive project support services in the industry. From specification and new installation to dependable maintenance, our goal is your satisfaction.

For comprehensive project support, call dormakaba at **844-SPECNOW (844-773-2669)**

We provide unparalleled support at every phase of your project—from design consultation and specifications to installation and maintenance.

Our in-house consultants are here to assist you from the start of your project with design and writing non-proprietary specifications and schedules. Next, you can rely on our customer service team to provide exceptional product support, while our nationwide network of service professionals can help with the final phases of installation and proper maintenance.

Our comprehensive specification writing services include consultation on our complete range of entrance solutions:

- Automatic door systems (sliding, swinging, and revolving doors)
- Glass systems and hardware
- Architectural hardware
- Operable walls

#### Consulting services include:

- Developing code-compliant access solution specifications and schedules.
- Developing detailed specifications for all other product groups.
- Meeting with the design professional and/or owner to discuss project requirements and security coordination.
- Assisting with development of a professional key system.
- Preparing budgets.
- Reviewing substitution requests.
- Reviewing submittals.
- Responding to RFIs, owner's comments, and comments from other entities.
- Assisting with punch list development and administration.

# Service and installation

## A commitment to excellence.

Our nationwide network of service professionals is certified by the American Association of Automatic Door Manufacturers.

With an emphasis on service excellence, dormakaba is committed to delivering, installing and servicing automatic, revolving, and manual doors and hardware for commercial applications.

dormakaba's nationwide network of service professionals provides responsive and comprehensive sales, technical, project management, and maintenance support. Dedicated to the highest level of expertise, all our service technicians are certified by the American Association of Automatic Door Manufacturers (AAADM).

With more than 28 offices throughout North America, our certified professionals are ready to respond to your service needs.

Visit [go.dormakaba.com/ServiceAMER](https://go.dormakaba.com/ServiceAMER) to learn more about dormakaba Service and Installation.





[www.dormakaba.com](http://www.dormakaba.com)

DORMA USA, Inc.  
Dorma Drive,  
Drawer AC  
Reamstown, PA 17567  
844-SPECNOW

KAA1361 0217 1.5M CT