

Patch Fittings

Interior Glass Systems





dormakaba's Patch Fittings offer superior technical performance and striking visual results, perfect for impressive tempered glass assemblies.

Complimentary hardware scheduling service to bring your vision to life.

Table of contents

4. Patch Fittings

15. Top Pivots

17. Offset Patch Fittings

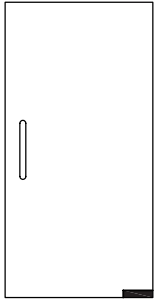
19. Glossary

PT10 - Bottom Patch Fittings

Universal and Universal Light 51mm x 164mm bottom Patch Fittings with covers. Suitable for dormakaba BTS floor springs or free pivots.

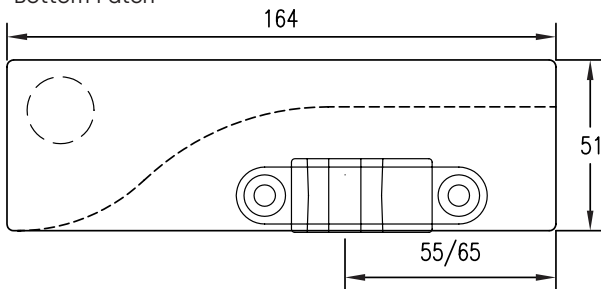
- Pivot point can be set at 55mm or 65mm.
- Finishes available PSS, SAA, & SSS. Special finishes on application.
- Specify glass thickness 10mm, 12mm or 15mm (Universal) & 10mm or 12mm (Universal Light).

Dimensions & Glass Preparation

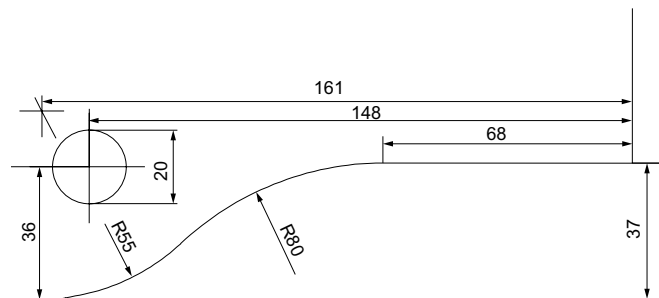


Capacity	PT10
Max. door weight (Universal)	110kg
Max. door weight (Light Universal)	100kg
Max. door width	1100mm

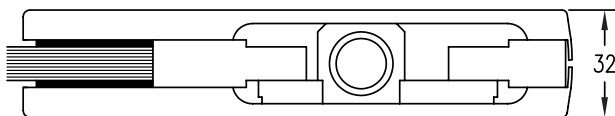
PT10
Bottom Patch



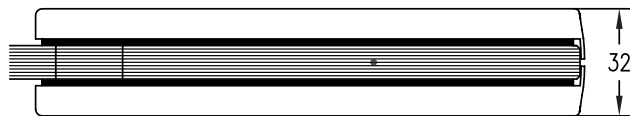
Elevation



PT 10/20 Glass Preparation



Plan



Plan

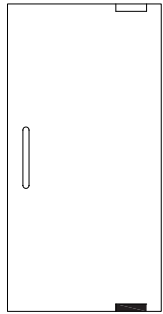
Article Number	Previous Number	Description
940000007363	PT10.PSS	U.PT10 BOTTOM PATCH FITTING PSS
940000007364	PT10.SAA	U.PT10 BOTTOM PATCH FITTING SAA
940000007365	PT10.SSS	U.PT10 BOTTOM PATCH FITTING SSS
9400000012241	PT10.SF	U.PT10 BOTTOM PATCH FITTING SF
80350270099	UL.PT10.SSS	UL,PT10,SATIN STAINLESS STEEL,VARIANT 03
80350270199	UL.PT10.PSS	UL,PT10,POLISHED STAINLESS STEEL,VAR.03
9400000012260	80350270099 SF	UL.PT10 V3 BOTTOM PATCH FITTING SF

PT10 - Bottom Centre Fix (C/F) Patch Fittings

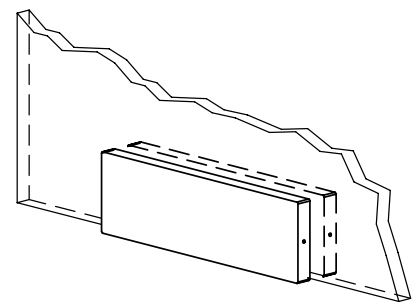
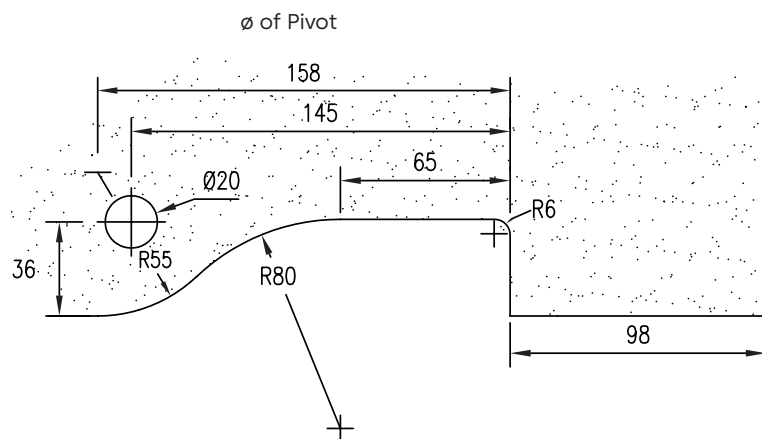
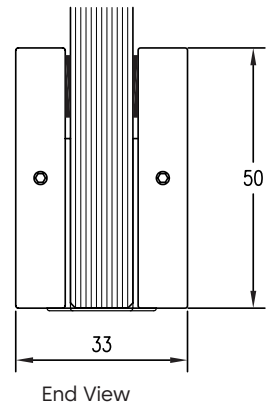
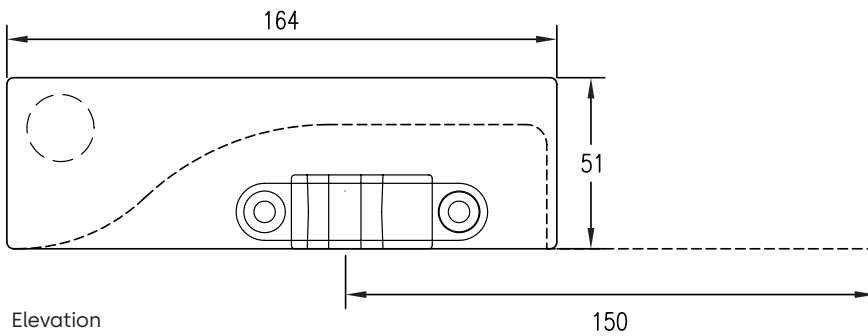
Universal 51mm x 164mm bottom Patch Fittings with covers. Suitable for dormakaba BTS floor springs or free pivots. Patch is modified to be centre fixed on glass providing pivot point of 150mm or greater.

- Pivot point can be set at 55mm or 65mm.
- Finishes available PSS, SAA, & SSS. Special finishes on application.
- Specify glass thickness 10mm, 12mm or 15mm.

Dimensions & Glass Preparation



Capacity	PT10 C/F
Max. door weight (Universal)	110kg
Max. door width	1100mm



Glass Preparation
suit 150mm Pivot Point

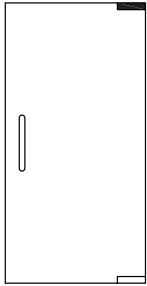
Article Number	Previous Number	Description
940000007367	PT10C/F.PSS	U.PT10 CENTRE FIX BOTTOM PATCH FITTING PSS
940000007368	PT10C/F.SAA	U.PT10 CENTRE FIX BOTTOM PATCH FITTING SAA
940000003003	PT10C/F.SSS	U.PT10 CENTRE FIX BOTTOM PATCH FITTING SSS
940000012242	PT10C/F.SF	U.PT10 C/FIX BOTTOM PATCH FITTING SF

PT20 - Top Patch Fittings

Universal and Universal Light 51mm x 164mm top Patch Fittings with covers.
Suitable for dormakaba free pivots.

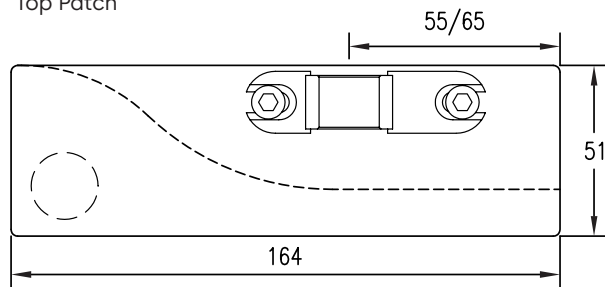
- Pivot point can be set at 55mm or 65mm.
- Finishes available PSS, SAA, & SSS. Special finishes on application.
- Specify glass thickness 10mm, 12mm or 15mm (Universal) & 10mm or 12mm (Universal Light).

Dimensions & Glass Preparation

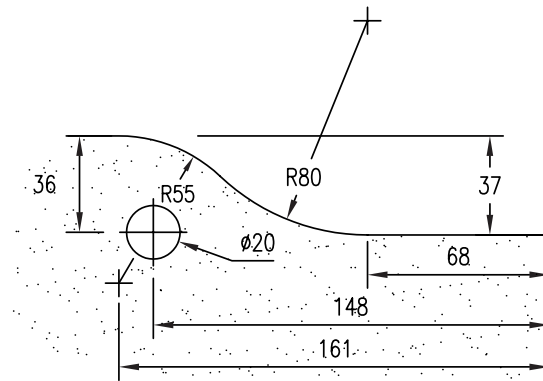


Capacity	PT20
Max. door weight (Universal)	110kg
Max. door weight (Light Universal)	100kg
Max. door width	1100mm

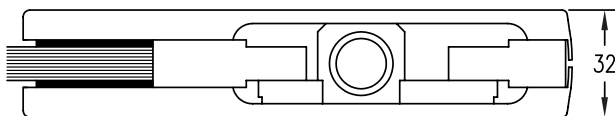
PT20
Top Patch



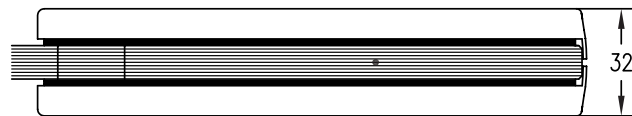
Elevation



PT 10/20 Glass Preparation



Plan



Plan

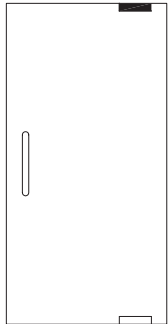
Article Number	Previous Number	Description
940000006008	PT20.PSS	U.PT20 TOP PATCH FITTING PSS
940000007373	PT20.SAA	U.PT20 TOP PATCH FITTING SAA
940000003008	PT20.SSS	U.PT20 TOP PATCH FITTING SSS
940000012236	PT20.SF	U.PT20 TOP PATCH FITTING SF
80351270099	UL.PT20.SSS	UL,PT20,SATIN STAINLESS STEEL,VARIANT 03
80351270199	UL.PT20.PSS	UL,PT20,POLISHED STAINLESS STEEL,VAR.03
940000012261	80351270099 SF	UL.PT20 V3 TOP PATCH FITTING SF

PT20 - Top Centre Fix (C/F) Patch Fittings

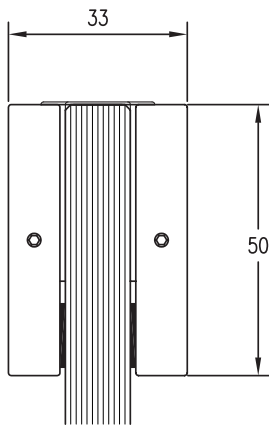
Universal 51mm x 164mm top Patch Fittings with covers. Suitable for dormakaba 15mm diameter top pivots. Patch is modified to be centre fixed on glass providing pivot point of 150mm or greater.

- Pivot point can be set at 55mm or 65mm.
- Finishes available PSS, SAA, & SSS. Special finishes on application.
- Specify glass thickness 10mm, 12mm or 15mm (Universal) & 10mm or 12mm (Universal Light).

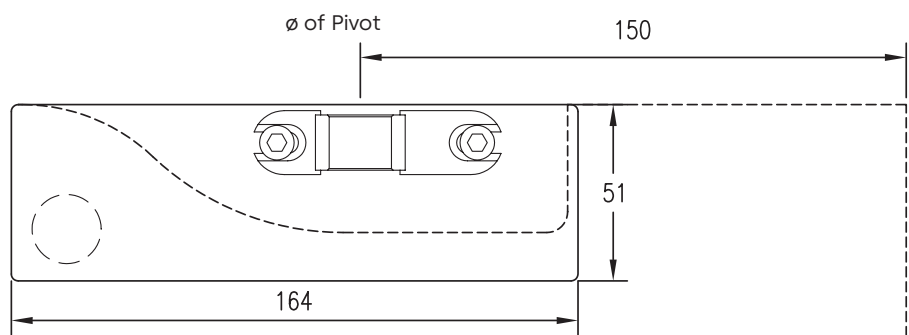
Dimensions & Glass Preparation



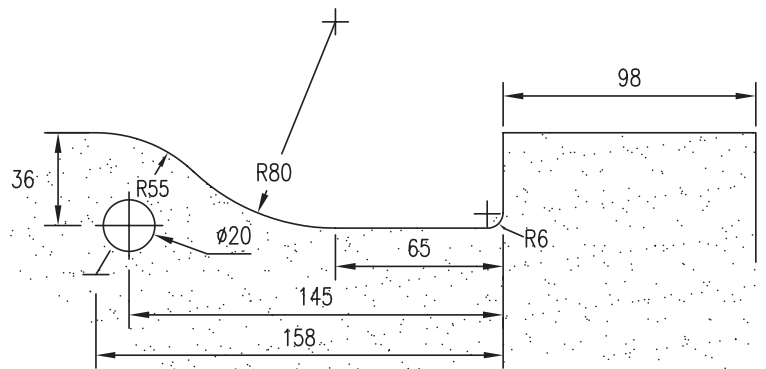
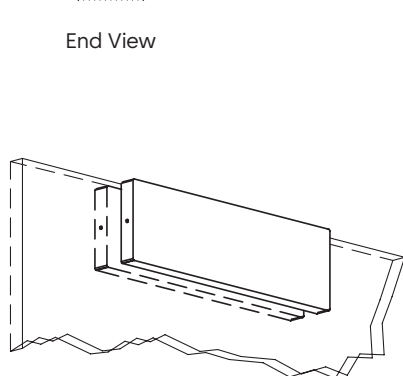
Capacity	PT20 C/F
Max. door weight (Universal)	110kg
Max. door width	1100mm



End View



Elevation



Glass Preparation suit 150mm Pivot Point

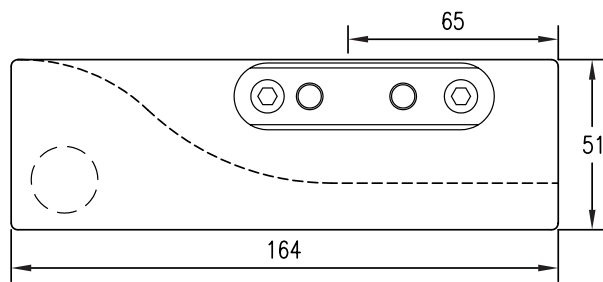
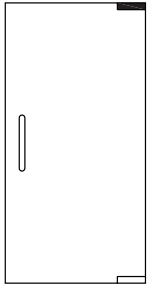
Article Number	Previous Number	Description
940000007375	PT20C/F.PSS	U.PT20 C/FIX TOP PATCH FITTING PSS
940000007376	PT20C/F.SAA	U.PT20 C/FIX TOP PATCH FITTING SAA
940000003009	PT20C/F.SSS	U.PT20 C/FIX TOP PATCH FITTING SSS
940000012237	PT20C/F.SF	U.PT20 C/FIX TOP PATCH FITTING SF

PT22 - Top RTS Patch Fittings

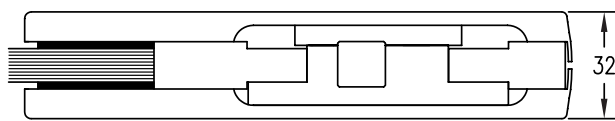
Universal and Universal Light 51mm x 164mm top Patch Fittings with covers. Suitable for dormakaba RTS 85 Transom Closers.

- Pivot point can be set at 65mm.
- Finishes available PSS, SAA, & SSS. Special finishes on application.
- Specify glass thickness 10mm, 12mm or 15mm (Universal) & 10mm or 12mm (Universal Light).
- Max. weight capacity depends on the load-bearing capacity of the RTS. Consult with your dormakaba sales representative.

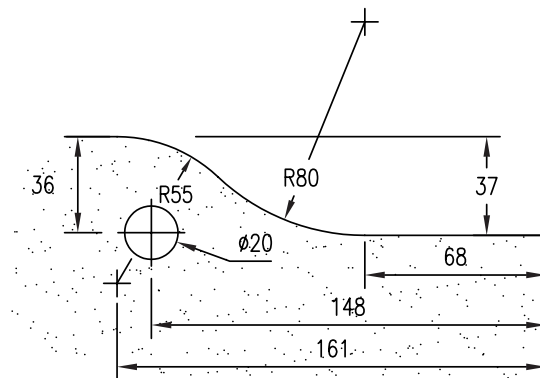
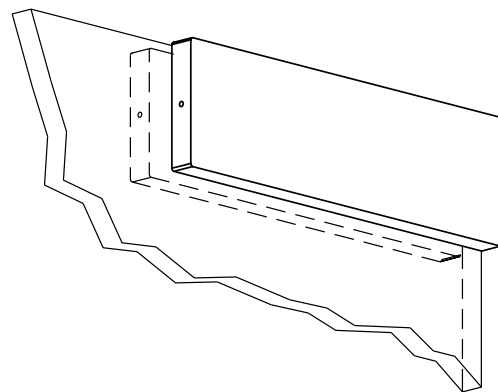
Dimensions & Glass Preparation



Elevation



Plan



Glass Preparation

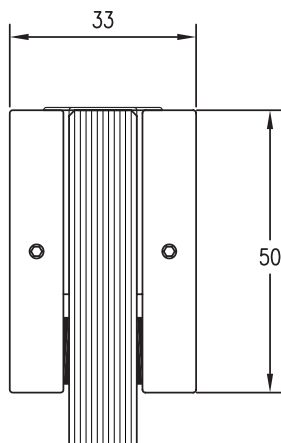
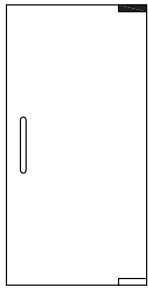
Article Number	Previous Number	Description
940000007381	PT22.PSS	U.PT22 RTS TOP PATCH FITTING PSS
940000007382	PT22.SAA	U.PT22 RTS TOP PATCH FITTING SAA
940000006013	PT22.SSS	U.PT22 RTS TOP PATCH FITTING SSS
9400000011557	PT22.SF	U.PT22 RTS TOP PATCH FITTING SF
940000007387	PT22L.SSS	UL.PT22 RTS TOP PATCH FITTING SSS
940000007386	PT22L.PSS	UL.PT22 RTS TOP PATCH FITTING PSS

PT22 - Top RTS Centre Fix (C/F) Patch Fittings

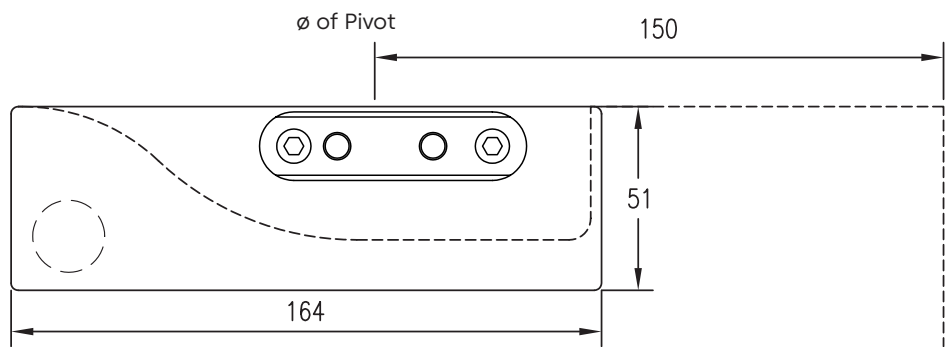
Universal 51mm x 164mm top Patch Fittings with covers. Suitable for dormakaba RTS 85 Transom Closers. Patch is modified to be centre fixed on glass providing pivot point of 150mm or greater.

- Pivot point can be set at 65mm.
- Finishes available PSS, SAA, & SSS. Special finishes on application.
- Specify glass thickness 10mm, 12mm or 15mm.
- Max. weight capacity depends on the load-bearing capacity of the RTS. Consult with your dormakaba sales representative.

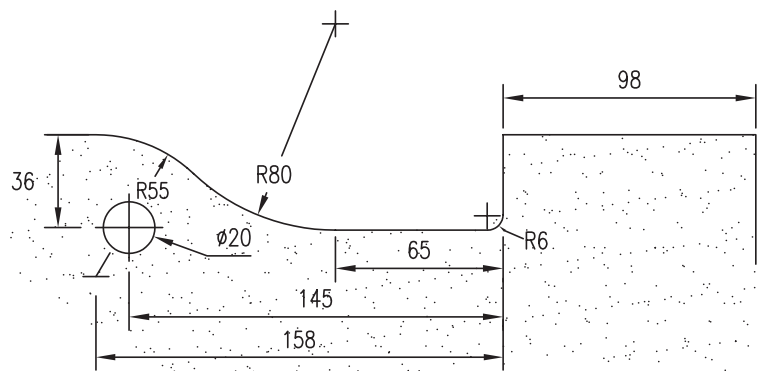
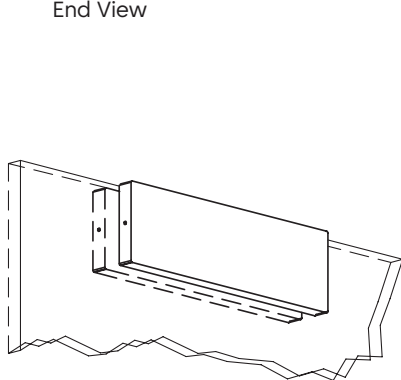
Dimensions & Glass Preparation



End View



Elevation



Glass Preparation suit
150mm Pivot Point

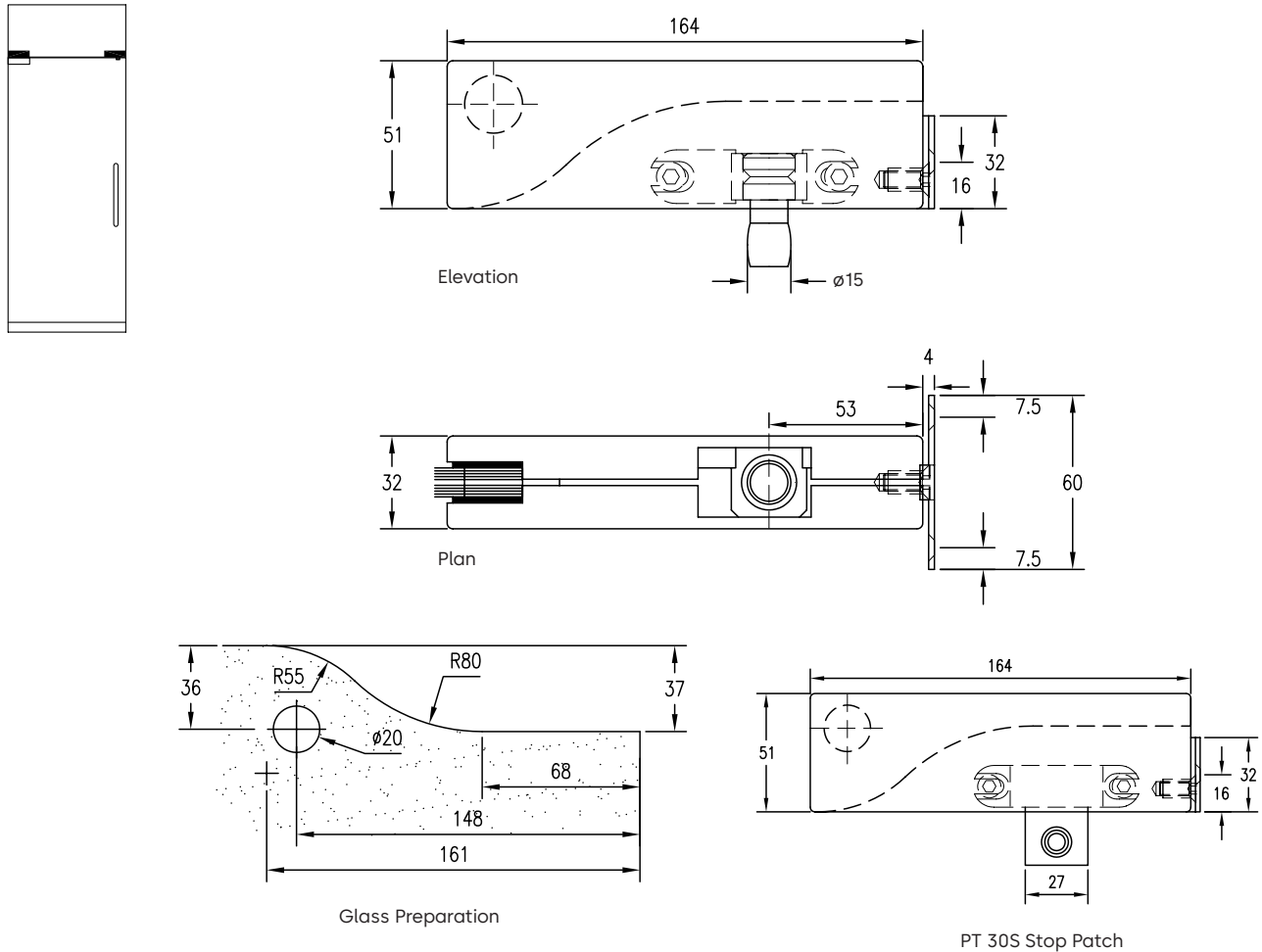
Article Number	Previous Number	Description
940000007384	PT22C/F.PSS	U.PT22 RTS C/FIX TOP PATCH FITTING PSS
940000007385	PT22C/F.SAA	U.PT22 RTS C/FIX TOP PATCH FITTING SAA
940000003012	PT22C/F.SSS	U.PT22 RTS C/FIX TOP PATCH FITTING SSS
940000012258	PT22C/F.SF	U.PT22 RTS C/FIX TOP PATCH FITTING SF

PT30 & PT30S - Over Panel Patch Fittings

Universal and Universal Light 51mm x 164mm PT30 over panel Patch Fittings backing plate and pivot. Suitable for dormakaba PT20 upper Patch Fittings and PT30S over panel Patch Fittings with backing plate and stop insert.

- Pivot point can be set at 55mm or 65mm.
- Finishes available PSS, SAA, & SSS. Special finishes on application.
- Specify glass thickness 10mm, 12mm or 15mm (Universal) & 10mm or 12mm (Universal Light).

Dimensions & Glass Preparation



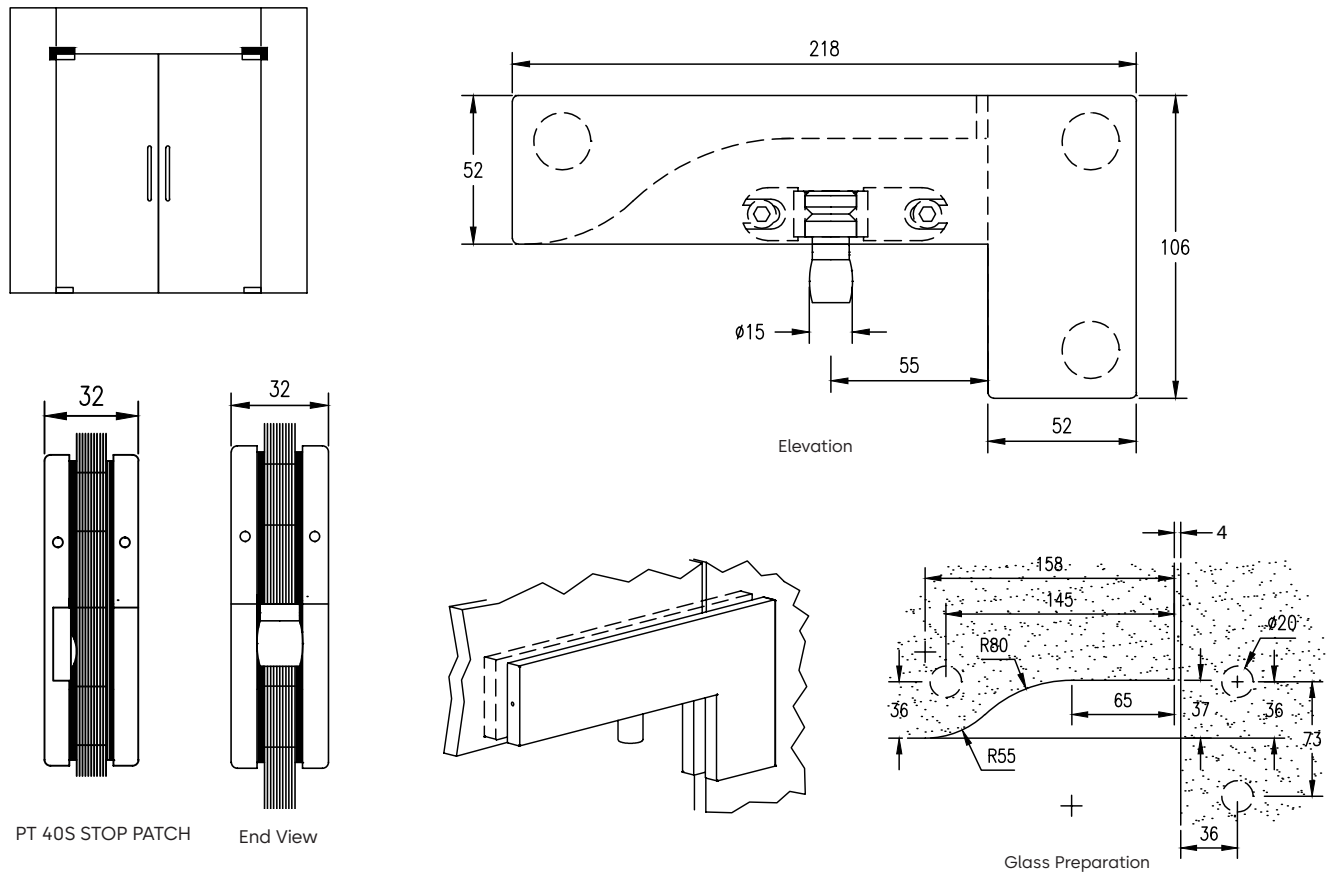
Material	Previous material	Material description
9400000006017	PT30.PSS	U.PT30 TRANSOM PIVOT PATCH FITTING PSS
9400000007393	PT30.SAA	U.PT30 TRANSOM PIVOT PATCH FITTING SAA
9400000007394	PT30.SSS	U.PT30 TRANSOM PIVOT PATCH FITTING SSS
9400000012245	PT30.SF	U. PT30 TRANSOM PIVOT PATCH FITTING SF
9400000007402	PT30S.PSS	U.PT30 TRANSOM STOP PATCH FITTING PSS
9400000007403	PT30S.SAA	U.PT30 TRANSOM STOP PATCH FITTING SAA
9400000007404	PT30S.SSS	U.PT30 TRANSOM STOP PATCH FITTING SSS
9400000012249	PT30S.SF	U. PT30 TRANSOM STOP PATCH FITTING SF
80352270099	UL.PT30.V3.SSS	UL,PT30,SATIN STAINLESS STEEL,VARIANT 03 (No back plate)
80352270199	UL.PT30.V3.PSS	UL,PT30,POLISHED STAINLESS STEEL, VAR.03 (No back plate)
9400000012262	80352270099 SF	UL.PT30 VARIANT 03 (NO BACK PLATE) SF

PT40 & PT40S - Highlight to Sidelight Patch Fittings

Universal and Universal Light 218mm x 106mm. PT40 highlight to sidelight corner link Patch with pivot, and PT40S highlight to sidelight corner link Patch with stop insert.

- Pivot point can be set at 55mm or 65mm.
- Finishes available PSS, SAA, & SSS. Special finishes on application.
- Specify glass thickness 10mm, 12mm or 15mm (Universal) & 10mm or 12mm (Universal Light).
- Specify PT40 highlight to sidelight corner pivot Patch. Specify PT40S highlight to sidelight corner stop Patch.

Dimensions & Glass Preparation



Article Number	Previous Number	Description
9400000007409	PT40.PSS	U.PT40 CNR PIVOT PATCH FITTING PSS
9400000007410	PT40.SAA	U.PT40 CNR PIVOT PATCH FITTING SAA
9400000007411	PT40.SSS	U.PT40 CNR PIVOT PATCH FITTING SSS
9400000012254	PT40.SF	U.PT40 CNR PIVOT PATCH FITTING SF
9400000007417	PT40S.PSS	U.PT40 CNR PATCH FITTING WITH STOP PSS
9400000007418	PT40S.SAA	U.PT40 CNR PATCH FITTING WITH STOP SAA
9400000007419	PT40S.SSS	U.PT40 CNR PATCH FITTING WITH STOP SSS
9400000012256	PT40S.SF	U. PT40 CNR PATCH FITTING WITH STOP SF
80354270099	UL.PT40.V3.SSS	UL,PT40,SATIN STAINLESS STEEL,variant 03 UL
80354270199	UL.PT40.V3.PSS	UL,PT40,POLISHED STAINLESS STEEL,var.03
9400000012263	80354270099 SF	UL.PT40 V7 CNR PIVOT PATCH FITTING SF

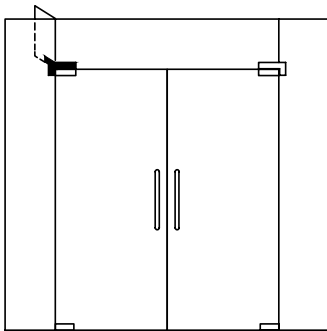
Note: Please consult with your dormakaba sales representative for greater bearing on the product's capabilities.

PT41 - Highlight to Sidelight Patch Fittings

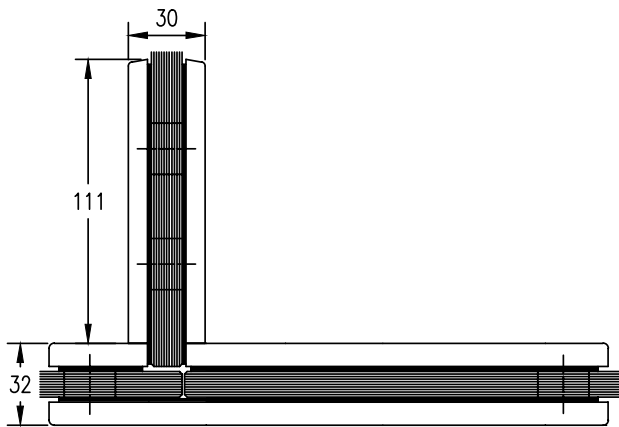
Universal 218mm x 106mm PT41 highlight to sidelight corner link Patch with fin portion and pivot.

- Pivot point can be set at 55mm.
- Finishes available SSS.
- Specify glass thickness 10mm, 12mm or 15mm, and fin glass thickness 12mm or 15mm.
- Specify left hand or right hand.

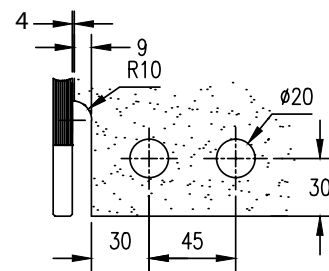
Dimensions & Glass Preparation



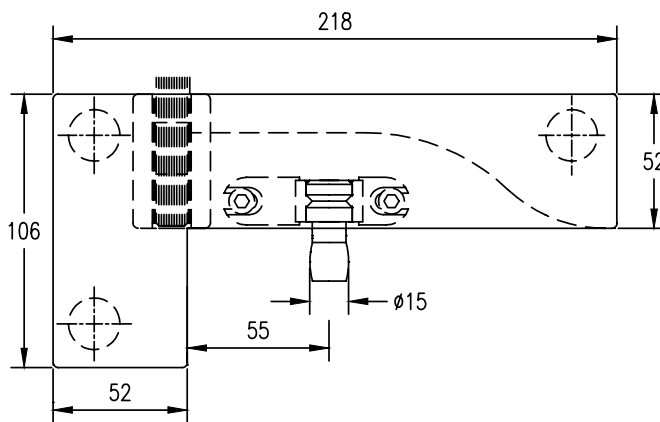
Right Hand Drawn



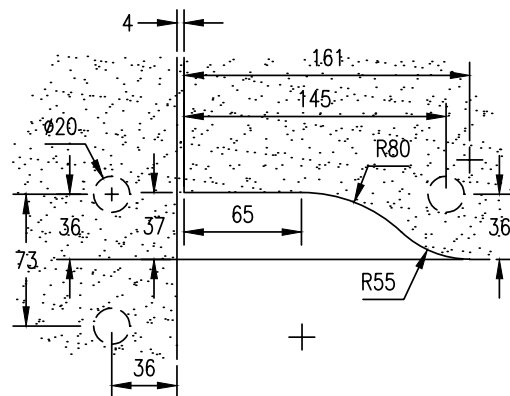
Plan



Fin Glass Preparation



Elevation



Glass Preparation

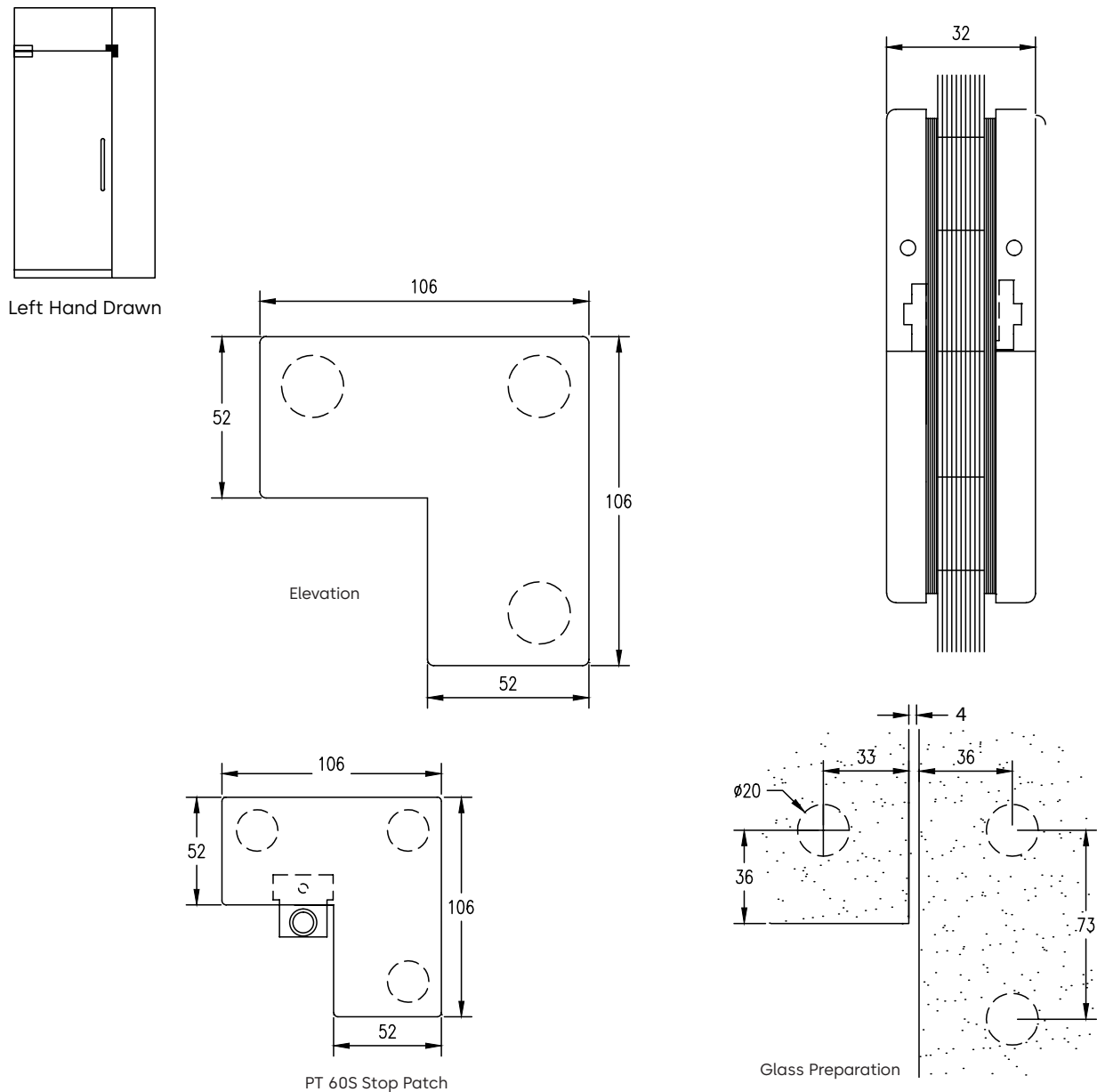
Article Number	Previous Number	Description
80316370099	U.PT41.RH.SSS	Over-sidepan.Patch w. fin, R/H, F700
80316270099	U.PT41.LH.SSS	Over-sidepan.Patch w. fin, L/H, F700

PT60 - Highlight to Sidelight Patch Fittings

Universal 106mm x 106mm PT 60 highlight to sidelight corner link Patch.

- Finishes available PSS, SAA, & SSS. Special finishes on application.
- Specify glass thickness 10mm, 12mm or 15mm.
- Specify PT60 highlight to sidelight corner link Patch.

Dimensions & Glass Preparation



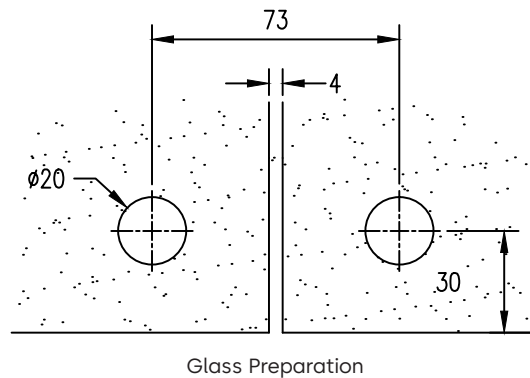
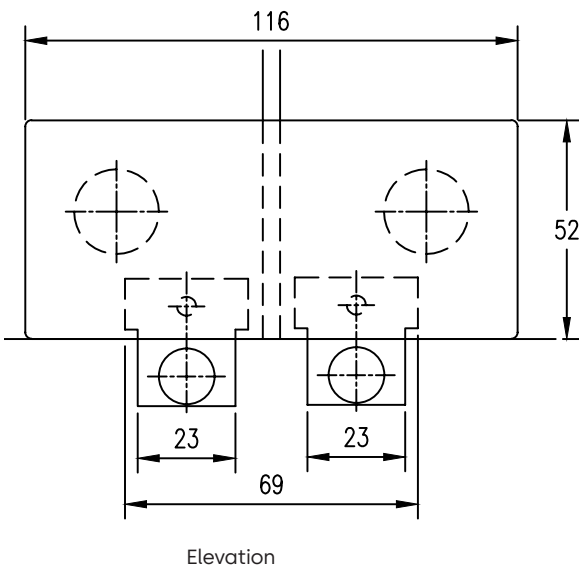
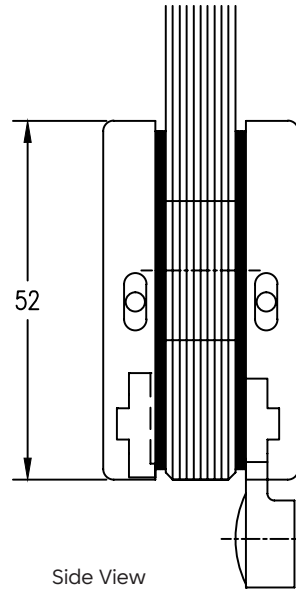
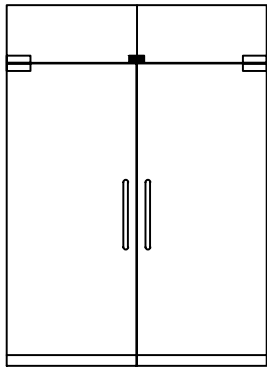
Article Number	Previous Number	Description
940000007424	PT60.PSS	U.PT60 PATCH SIDELIGHT O/P STOP 10-12G PSS
940000007425	PT60.SAA	U.PT60 PATCH SIDELIGHT O/P STOP 10-12G SAA
940000003014	PT60.SSS	U.PT60 PATCH SIDELIGHT O/P STOP 10-12G SSS
940000013010	PT60 SF	U. PT60 PATCH SIDELIGHT O/P STOP 10-12G SF

PT70 - Over Panel Patch Fittings

Universal 116mm x 52mm PT70 over panel connecting Patch for connecting 2 panels of glass.

- Finishes available PSS, SAA, & SSS. Special finishes on application.
- Specify glass thickness 10mm, 12mm or 15mm.

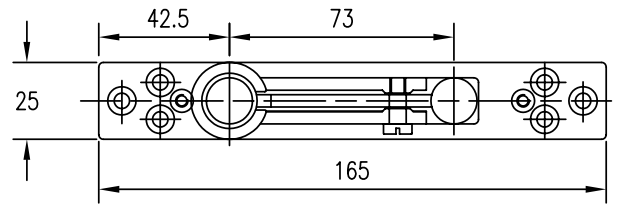
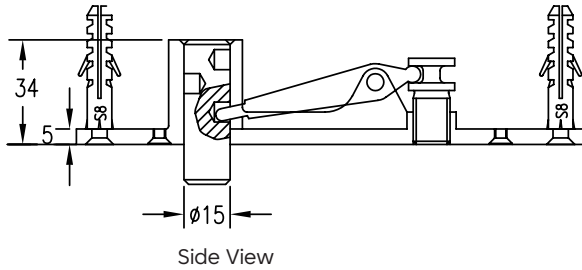
Dimensions & Glass Preparation



Article Number	Previous Number	Description
80115010199	U.PT70.SAA	OVERPAN.PATCH, C/W STOP/BLANK, F101
80115070099	U.PT70.SSS	OVERPAN.PATCH, C/W STOP/BLANK, F700
80115070199	U.PT70.PSS	OVERPAN.PATCH, C/W STOP/BLANK, F701

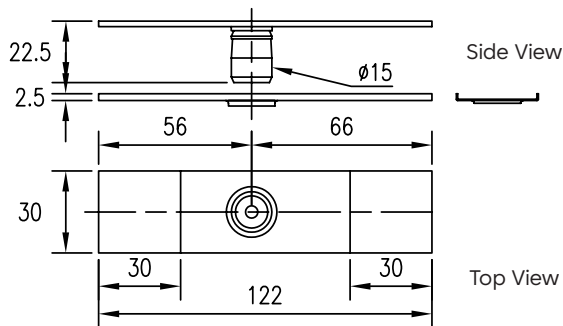
Top Pivots

8066U



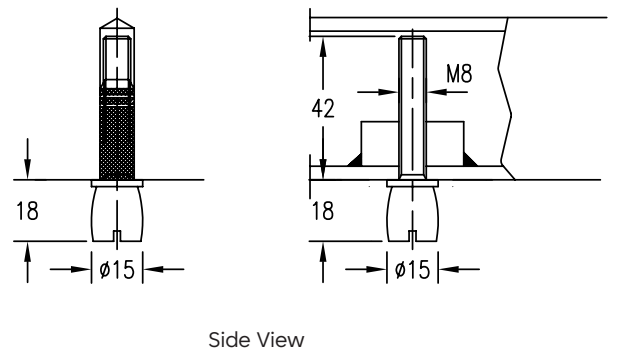
Article number	Description
46020036	WIND DOWN 15MM UPPER PIVOT ASSEMBLY

CD58



Article Number	Previous material	Description
9400000001709	CD58.SSS	15MM UPPER PIVOT ASSEMBLY WITH COVER

PT25



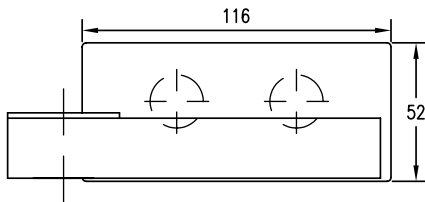
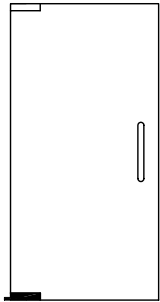
Article Number	Previous material	Description
9400000007388	PT25	M8 THREADED 15MM UPPER PIVOT

Offset Patch Fittings

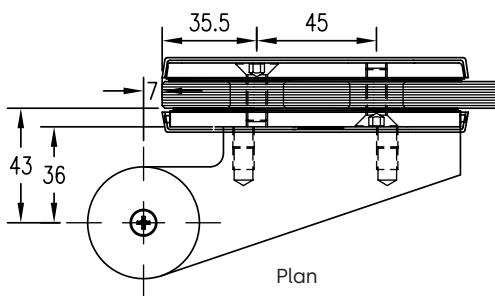
311.1

Lower offset Patch Fittings.

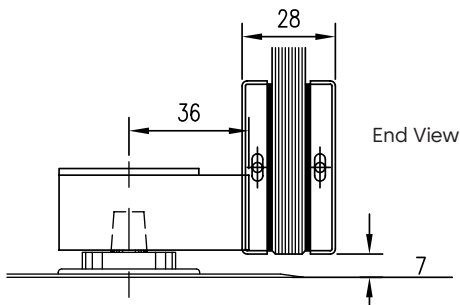
- Specify glass thickness 10 & 12mm.
- Max weight capacity 90kg.
- Max door width 1000mm.
- Specify left or right handing. Left hand drawn.



Elevation



Plan

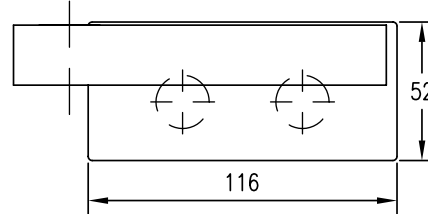
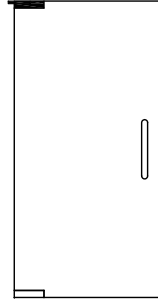


End View

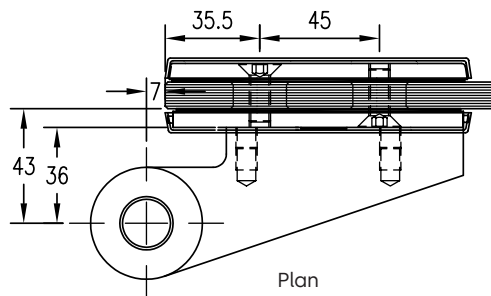
312.1

Upper offset Patch Fittings.

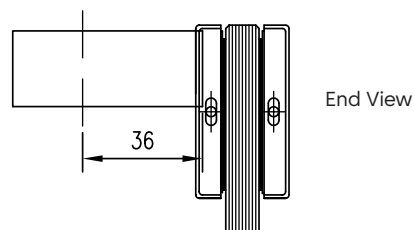
- Specify glass thickness 10 & 12mm.
- Max weight capacity 90kg.
- Max door width 1000mm.
- Specify left or right handing. Left hand drawn.



Elevation



Plan



End View

Material	Previous material	Description
940000000721	311.1.SSS.LH	EA OFFSET BOTTOM PATCH LH SSS
940000000722	311.1.SSS.RH	EA OFFSET BOTTOM PATCH RH SSS
9400000003904	311.1.SAA.LH	EA OFFSET BOTTOM PATCH LH SAA
9400000003905	311.1.SAA.RH	EA OFFSET BOTTOM PATCH RH SAA

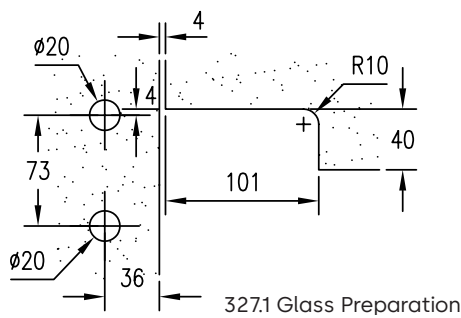
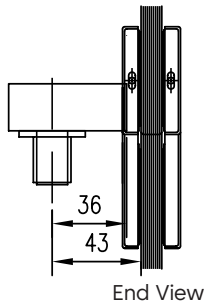
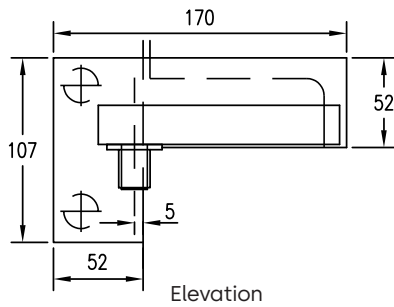
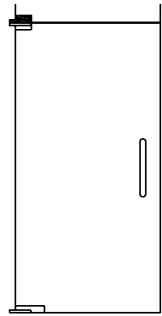
Material	Previous material	Description
9400000003910	312.1.SSS.LH	OFFSET TOP PATCH LH SSS
9400000003911	312.1.SSS.RH	OFFSET TOP PATCH RH SSS
9400000003908	312.1.SAA.LH	EA OFFSET TOP PATCH LH SAA
9400000003909	312.1.SAA.RH	EA OFFSET TOP PATCH RH SAA

Offset Patch Fittings

327.1

Overpanel offset Patch Fittings.

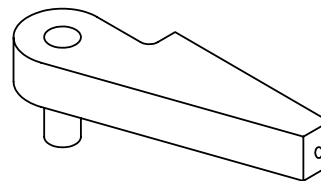
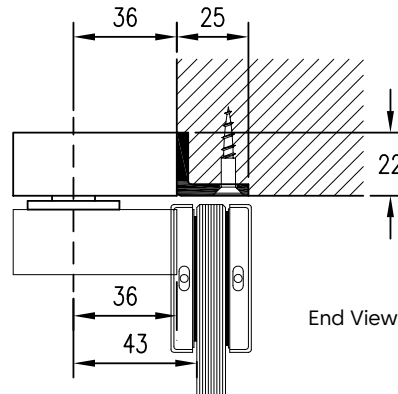
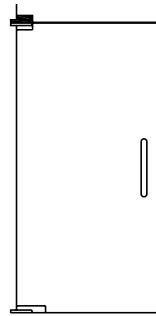
- Specify glass thickness 10 & 12mm.
- Max weight capacity 90kg.
- Max door width 1000mm.
- Specify left or right handing. Left hand drawn.



339.2

Overpanel/sidelight offset Patch Fittings.

- Specify glass thickness 10 & 12mm.
- Max weight capacity 90kg.
- Max door width 1000mm.
- Specify left or right handing. Left hand drawn.



Material	Previous material	Material description
940000000724	327.1.SAA.LH	EA H/L S/L OFFSET PATCH LH SAA
940000000725	327.1.SAA.RH	EA H/L S/L OFFSET PATCH RH SAA

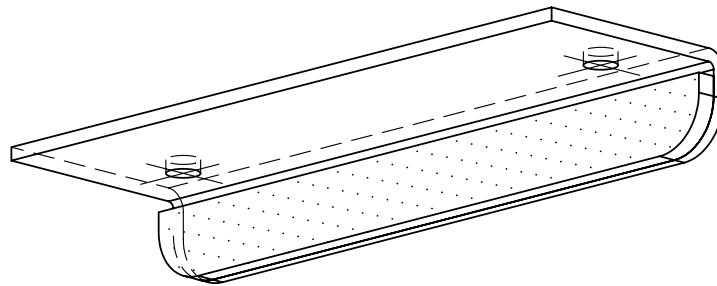
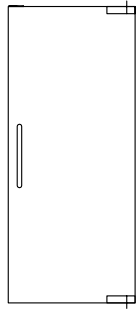
Material	Previous material	Description
9400000003914	339.2.SAA	EA TOP FRAME PORTION C/W ANGLE SAA

CD33 - Angle Door Stop

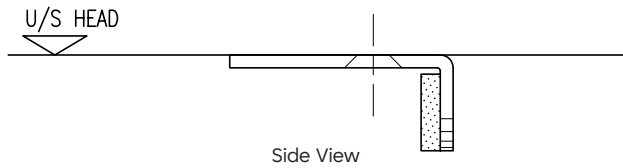
35mm x 15 mm x 110mm angle door stop with rubber buffer for head or side fixing.

- Specify glass thickness 8mm or 10mm.
- Max weight capacity 35kg.
- Finishes available SSS, SAA & PSS. Special finishes on application.
- Sold as a single door set.

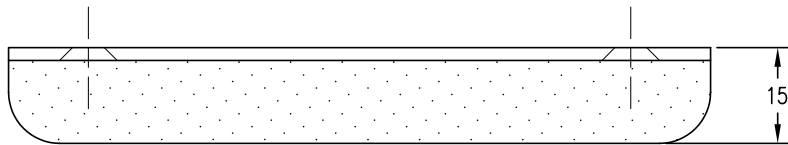
Dimensions & Glass Preparation



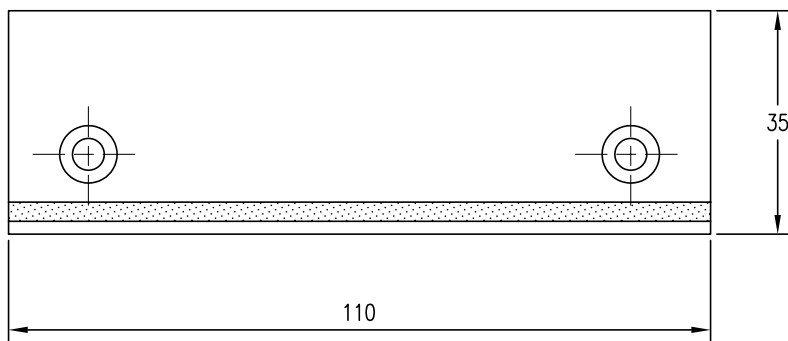
Door Head Stop



Side View



Elevation



Reflected Plan

Material	Previous material	Description
9400000001699	CD33.SSS	CD33 DOOR STOP ANGLE SSS
9400000004603	CD33.SAA	CD33 DOOR STOP ANGLE SAA
9400000004601	CD33.PSS	CD33 DOOR STOP ANGLE PSS
94000000011022	CD33.SF	CD33 DOOR STOP ANGLE SF

GLOSSARY

Term	Definition
10-12G	The letter G is a reference to glass thickness
BTS	Floor concealed Door Closer suitable
C/F or C/FIX	Centre Fix Patch Fittings
C/W	Comes with
CNR	Corner Patch Fittings
F101	Satin Anodized Aluminium
F700	Satin Stainless Steel
F701	Polished Stainless Steel
L/H	Left hand
PSS	Polished Stainless Steel finish
R/H	Right hand
RTS	Transom concealed Door Closer suitable
S	Stop Patch Fittings
SAA	Satin anodized aluminium finish
SF	Special finish
SSS	Satin stainless steel finish
U	Universal Patch Fittings
UL	Universal Light Patch Fittings



**Door
Hardware**



**Entrance
Systems**



**Electronic
Access & Data**



**Interior Glass
Systems**



**Lodging
Systems**



**Mechanical
Key Systems**



Safe Locks



Services

Our Sustainability Commitment

We are committed to fostering sustainable practices along our entire value chain in line with our economic, environmental and social responsibilities.

We seek an open, transparent dialogue with all stakeholders to define strategies and actions based on clear targets and continuous improvement, and we actively report on our progress.

000241 - Oct24

Subject to change without notice

dormakaba Australia

National Office
12-13 Dansu Court
Hallam VIC 3803
T 1800 675 411
info.au@dormakaba.com
www.dormakaba.com.au

dormakaba New Zealand

Building P 61-69 Patiki Road
1026 Avondale/Auckland
New Zealand
T: 0800 436 762
info.nz@dormakaba.com
www.dormakaba.com.au

Important information

This Technical Product Guide is intended to provide general information on the installation of dormakaba products and should not be used as a substitute for professional advice. There are many variables that can influence construction projects which affect whether a particular construction technique is appropriate. Before proceeding with any project, we recommend you obtain professional advice to ascertain the appropriate construction techniques to suit the circumstances of your project. We recommend you use qualified tradespersons to install these products. As of August 2024.

The printed colours indicating the surface finishes are not 100% accurate, but do provide a useful guide.

Statements made with regard to the nature or use of the products are for the purposes of descriptions. Assent with regard to the existence of particular properties or particular uses always requires special written agreement. Pictures may show special designs which are different to the standard scope of delivery.