

9000 SERIES "ELECTRIC" TRIM INSTRUCTIONS



Specifications REQUIRES DORMA ES-100 POWER SUPPLY (Use as large of wire as possible when wiring power supply and trim.) Power supply will handle two (2) pieces of electric trim. Supplies 4 amp in-rush.

NOTE: THIS PRODUCT REQUIRES 24VDC.

Continuous Duty .15 amp hold @ 24VDC

See back side for typical wiring diagram.

All electric trim is "09" function. Key removable only when locked.

LFSC - Electric Unlock Fail Secure

LFSF - Electric Lock Fail Safe

Use caution during installation so wires do not get pinched. (See details below.)

(Must be ordered per function from factory.)

NOTE: Ref. Template T-9021 for door prep.

Wire Gauge Chart (AWG) Distance in feet for 2 conductors from power source to the locking device

AMPS	25	50	75	100	150	200	250	300	400	500	1000
.25	18	18	18	18	18	18	18	18	18	16	16
.50	18	18	18	18	18	18	18	16	16	14	
.75	18	18	18	18	18	16	16	14	14		
1.00	18	18	18	18	16	16	14	14			
1.50	18	18	18	16	16	14					
2.00	18	18	16	16	14						
2.50	18	18	16	14							
3.00	18	16	14	14							
3.50	18	16	14								

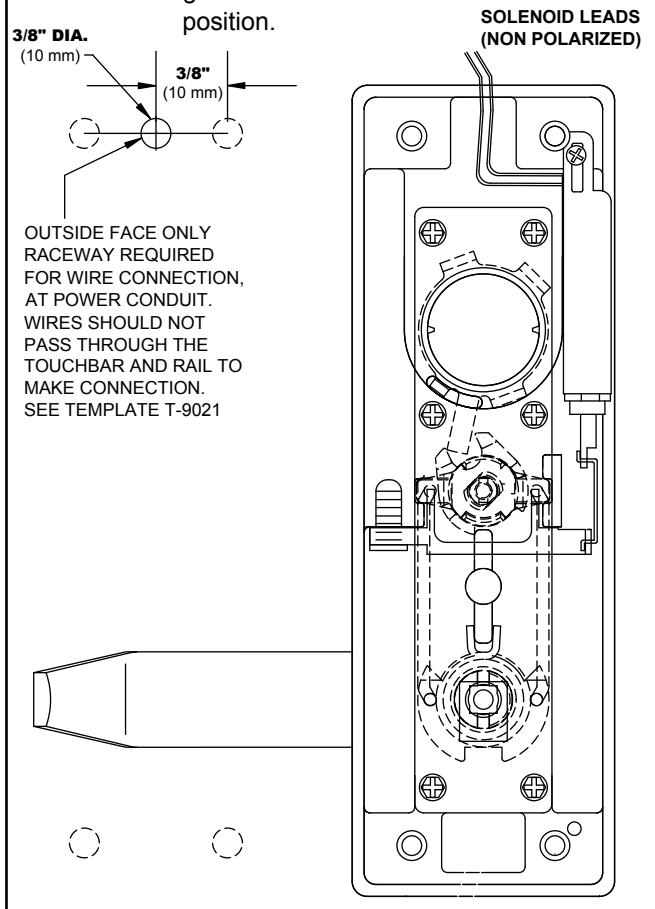
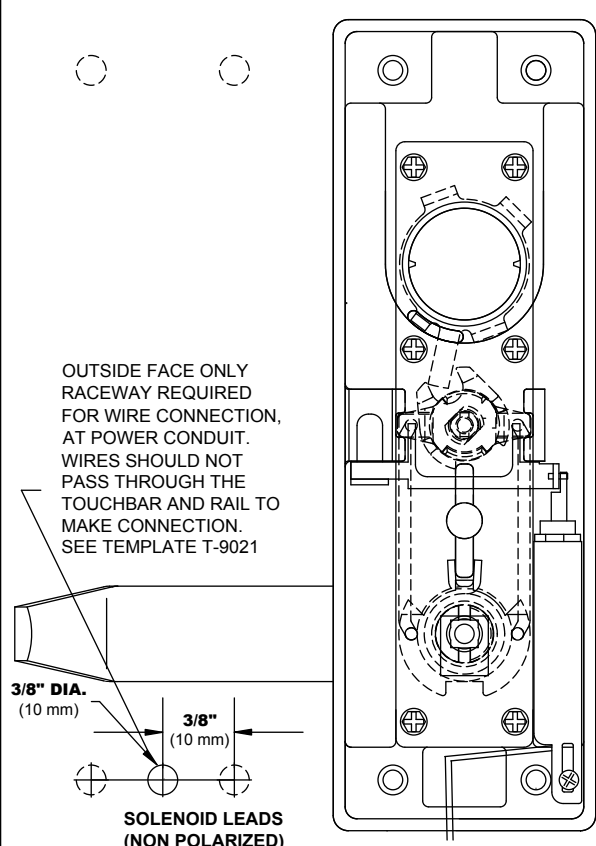
**Minimum Wire Gauge
for 24 V AC/DC**

LFSC

When solenoid is energized, trim remains in un-locked position. If power is interrupted, ie. fire alarm is activated, solenoid is de-energized and trim is set in locked position.

LFSF

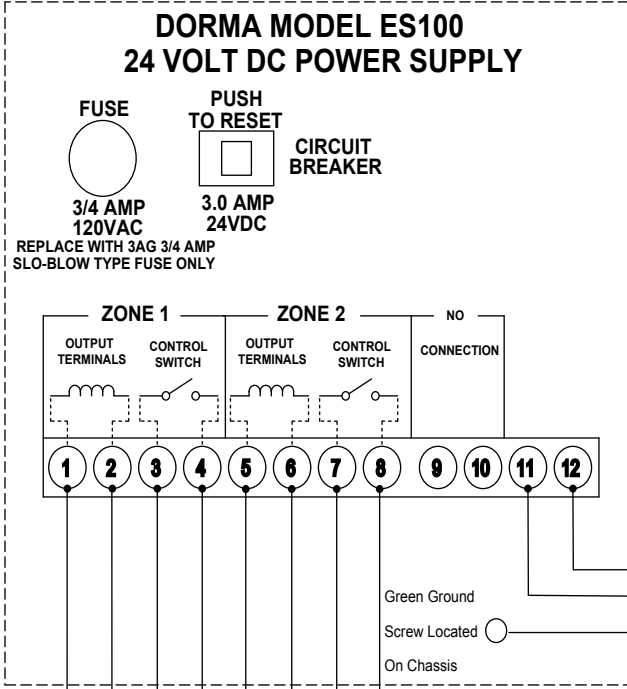
When solenoid is energized, trim remains in locked position. If power is interrupted, ie. fire alarm is activated, solenoid is de-energized and trim is set in un-locked position.





TYPICAL WIRING INSTRUCTIONS
9000 SERIES "ELECTRIC" TRIM

This is a basic wiring diagram, for additional wire diagrams or project specific diagrams contact the DORMA technical service department at 1-800-523-8483.



CAUTION:
 TURN OFF 120VAC POWER PRIOR TO MAKING ANY CONNECTIONS TO TERMINALS.

From UPS
Power Source
120 VAC
POWER LINE
 (1.0 AMP MAX.)

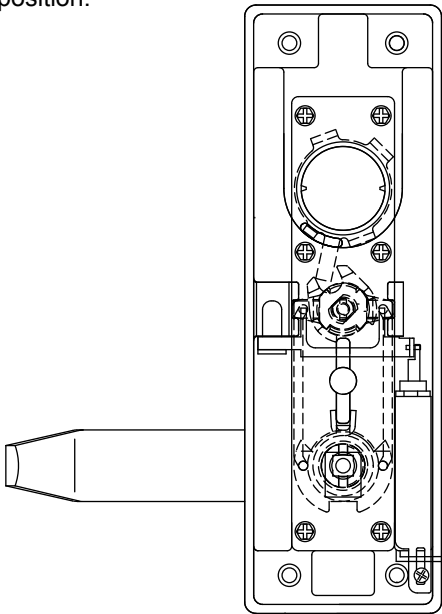
WHITE (NEUTRAL)
 BLACK (HOT)
 GREEN (GROUND)

TO N.C. CONTACTS IN FIRE ALARM CONTROL PANEL

TO N.C. CONTACTS IN FIRE ALARM CONTROL PANEL

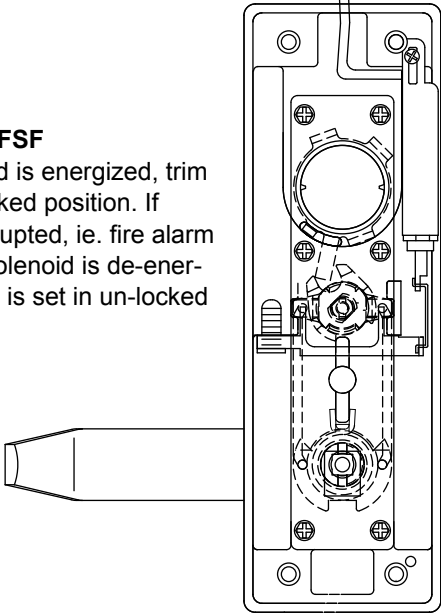
LFSC

When solenoid is energized, trim remains in un-locked position. If power is interrupted, ie. fire alarm is activated, solenoid is de-energized and trim is set in locked position.



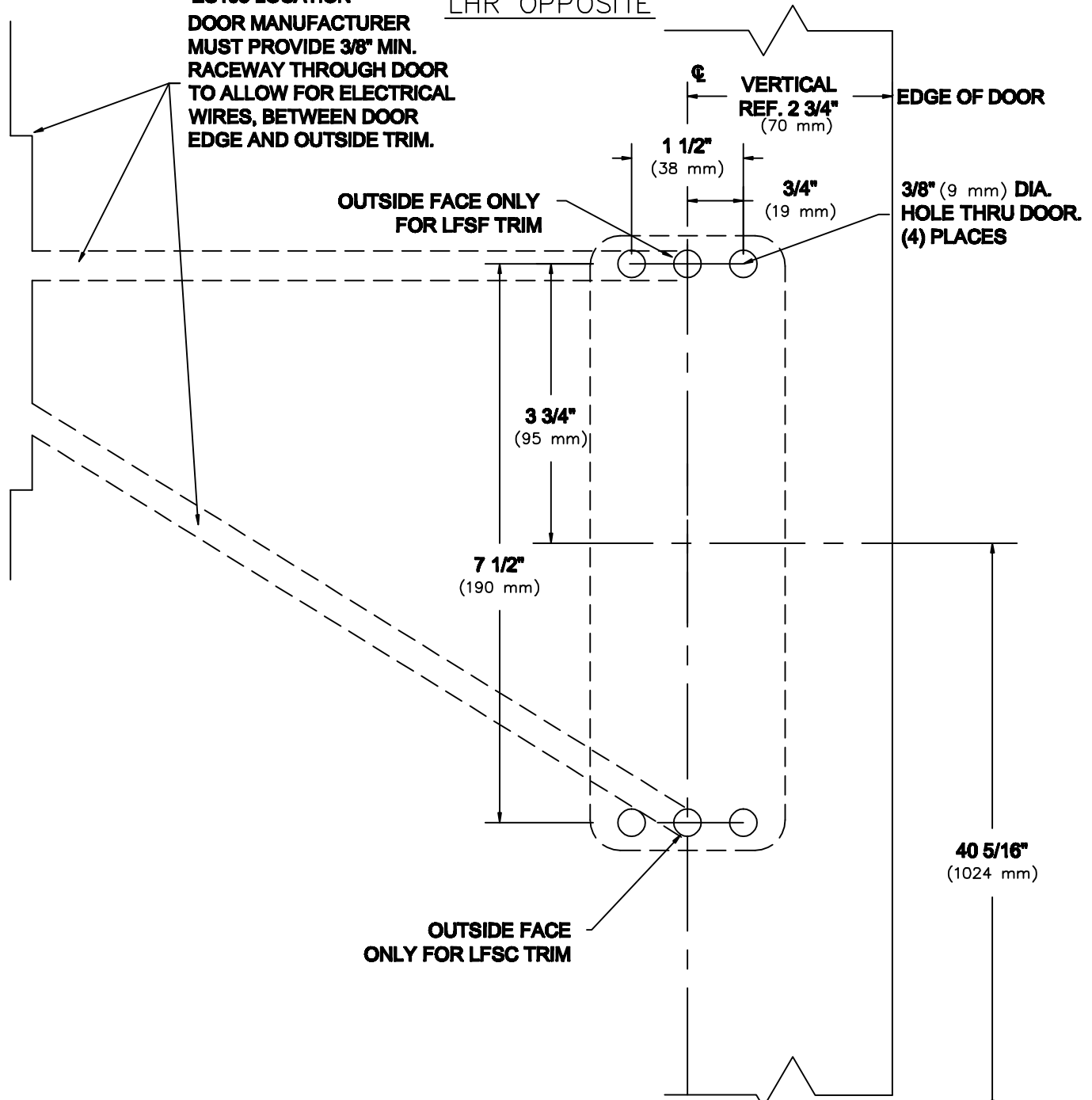
LFSF

When solenoid is energized, trim remains in locked position. If power is interrupted, ie. fire alarm is activated, solenoid is de-energized and trim is set in un-locked position.



RHR SHOWN
LHR OPPOSITE

ES105 LOCATION
DOOR MANUFACTURER
MUST PROVIDE 3/8" MIN.
RACEWAY THROUGH DOOR
TO ALLOW FOR ELECTRICAL
WIRES, BETWEEN DOOR
EDGE AND OUTSIDE TRIM.



OUTSIDE FACE ONLY
FOR LFSF TRIM

EDGE OF DOOR

3/8" (9 mm) DIA.
HOLE THRU DOOR.
(4) PLACES

3 3/4"
(95 mm)

7 1/2"
(190 mm)

40 5/16"
(1024 mm)

OUTSIDE FACE
ONLY FOR LFSC TRIM

NOTES:

FINISHED FLOOR LINE OR TOP OF THRESHOLD

1. SEE MASTER SHEET #T-0001 FOR SUGGESTED DOOR REINFORCEMENT.
2. SEE ADDITIONAL TRIM TEMPLATE WHEN REQUIRED.

REV. No. 1

REVISION:

DATE: 4-8-09



Y09 LFSC OR LFSF FUNCTION
ADDITIONAL RACEWAY PREP

TEMPLATE NUMBER
T-9021 ①