

GP1100

Glass panic device - down latching wood door mount
(use with exterior pull types: A, B, C, F, G, H, K, KS, L, LS, X, Z)

Installation instructions

974006 - 10-2020

| EN |

dormakaba 

Table of contents

1	Technical specifications	3
1.1	Overview	3
	1.1.1 General information	3
	1.1.2 Intended use	3
	1.1.3 Door requirements/fittings/mounting	3
	1.1.4 Safety instructions	3
	1.1.5 Symbols used - Safety/Installation	3
	1.1.6 Maintenance, care, repair	3
	1.1.7 Disposal	3
	1.1.8 Adhesive specifications	4
	1.1.9 Required dimension	4
2	Installation instructions - wood door mount	4
2.1	Overall	4
2.2	Mount exterior pull components - actuator housing	5
2.3	Mount exterior pull components - top standoff	6
2.4	Mount exterior pull components - bottom standoff	7
2.5	Mount exterior pull components - return tube (D-pull; back-to-back)	8
2.6	Mount interior pull components - actuator housing and int. pull	9
2.7	Mount interior pull components - bottom standoff	10
2.8	Mount interior pull components - return tube (single-sided)	11
2.9	Mount interior pull components - return tube (back-to-back)	12
3	Adjustments	13
3.1	Clearances	13
3.2	Final adjustments (tube height or length)	14
3.3	Adjust roller latch	14
3.4	Loctite part list	15
4	Function	15
4.1	Locking the panic (dogging)	15

1 Technical specifications

1.1 Overview

These instructions are for installation of GP1100 for the following mounting and style versions:

1. Down latching wood door mount

1.1.1 General information

- dormakaba glass hardware is not suitable for harsh environment; for example, applications where chemicals (e.g. chlorine) are used such as indoor swimming pools, saunas, or salt-water pools.
- Do not swing doors with excessive force. Ensure proper installation of limiting stop to prevent door from opening too far.

1.1.2 Intended use

- For swinging doors in dry indoor and covered areas only.
- For manual slow opening and closing only.

1.1.3 Door requirements/fittings/mounting

- The substructure/wall must be able to bear permanent loads, be level (max. tolerance: 1/16" [2] per 39" [1m]).
- Fasteners must be sufficiently dimensioned for the substructure/wall and weight of the door.
- When adjusting door components, always stick to the required clearance for the respective hardware.

1.1.4 Safety instructions

- Installation requires two people.
- Only properly qualified and specially trained staff are authorized to mount dormakaba glass hardware.

1.1.5 Symbols used - Safety/Installation



CAUTION

Mounting components must meet the requirements of substructure/wall and door weight. Please read the technical information for fittings.



TIPS AND RECOMMENDATIONS

Information note

1.1.6 Maintenance, care, repair

- Immediately replace damaged parts.
- Always use original dormakaba parts.
- Clean clamping area with alcohol-based standard commercial cleaning agent before mounting the glass hardware.
- Use a damp cloth for occasional cleaning.
- Always use silicone - and oil-free cleaners (e.g. acetone).
- Check door hardware at regular intervals for proper positioning, smooth operation and correct adjustment.
- High traffic door systems require inspection by properly qualified staff (specialized companies or installation firms.)
- Function of fittings is recommended to be inspected annually or every 100,000 movements by a specialist.

1.1.7 Disposal

Disposal in accordance with local, state and national regulations.

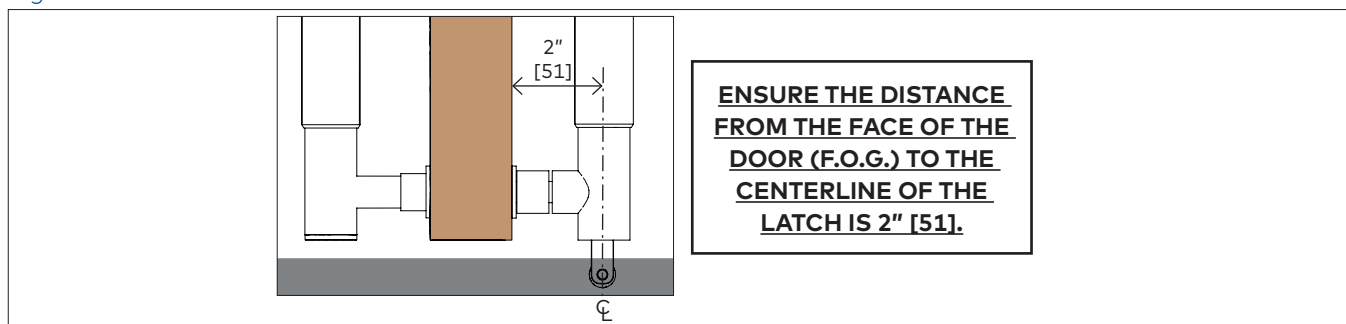
1.1.8 Adhesive specifications

Table 1

Adhesive required for GP1100 (not included)		
Loctite® Threadlocker Blue 242®	Handling description	Time
	Set time (<i>time between application and tightening of screw</i>)	10 minutes on active metals (steel) Longer for less active metals.
	Full cure time (<i>normal product usage not recommended until full cure time has been met</i>)	24 hours* *Cure time dependent upon temperature and type of metal being bonded.

1.1.9 Required dimension

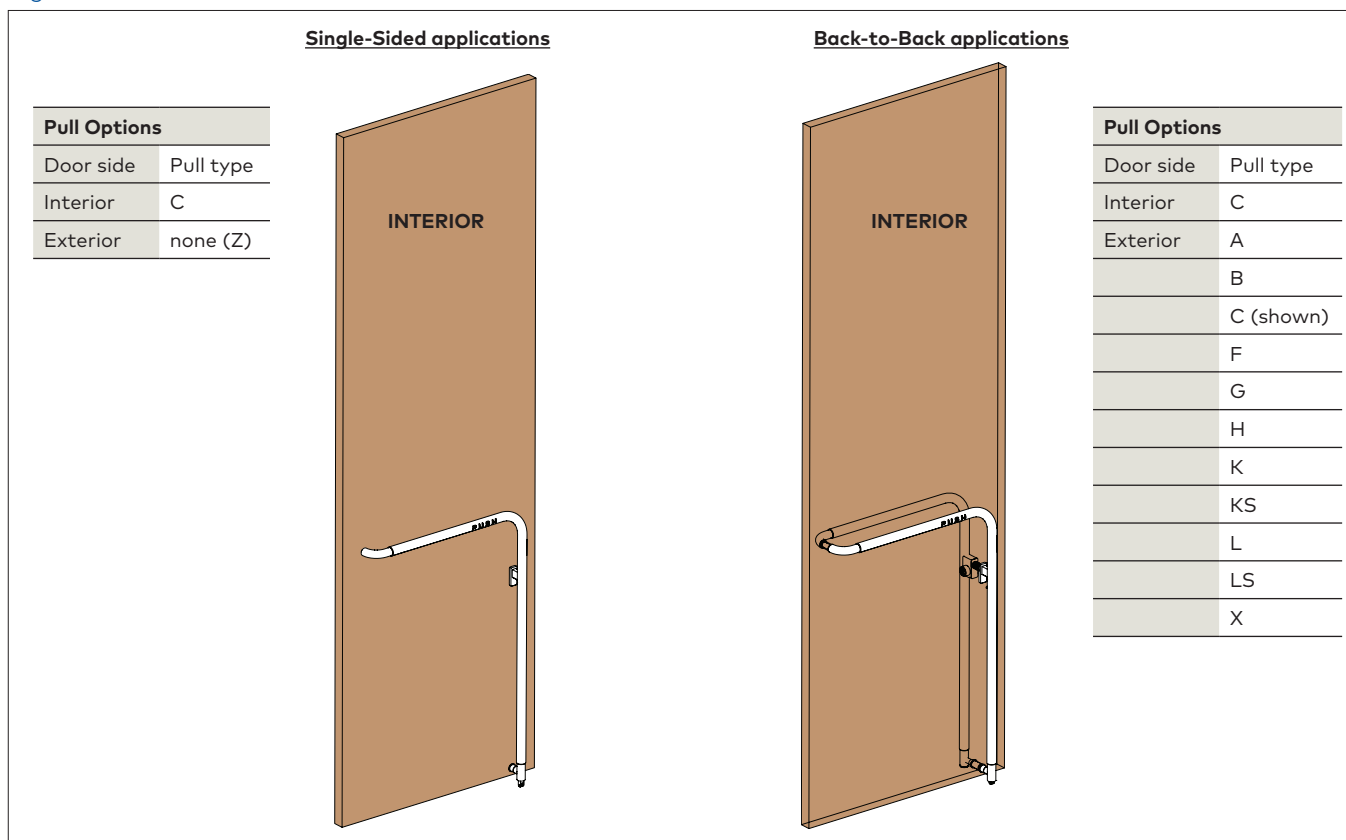
Fig 1



2 Installation instructions - wood door mount

2.1 Overall

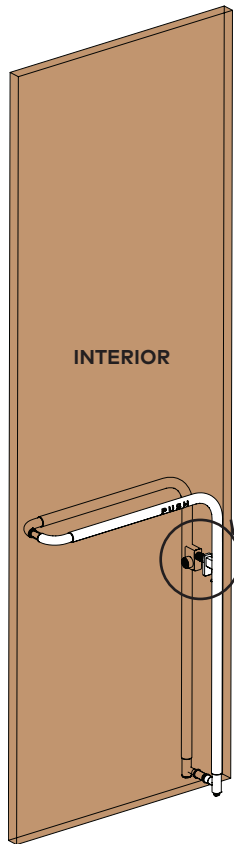
Fig 2



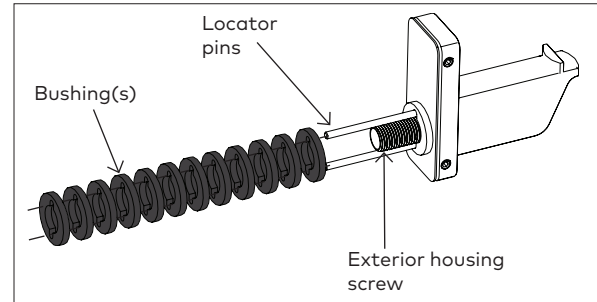
2.2 Mount exterior pull components - actuator housing

Fig 3

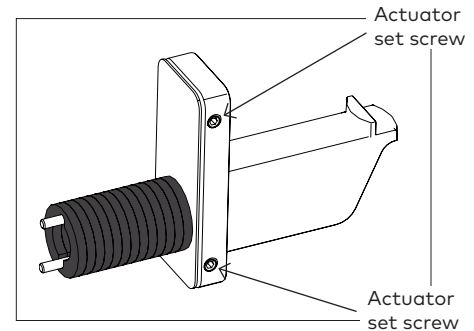
**NOTE: PANIC DEVICE SHOULD BE MOUNTED TO DOOR IN A HORIZONTAL POSITION.
LAY GLASS PANEL FLAT ON SAW HORSES AND MOUNT THE FOLLOWING
EXTERIOR PULL COMPONENTS FIRST. EXTERIOR SIDE SHOULD FACE UP.**



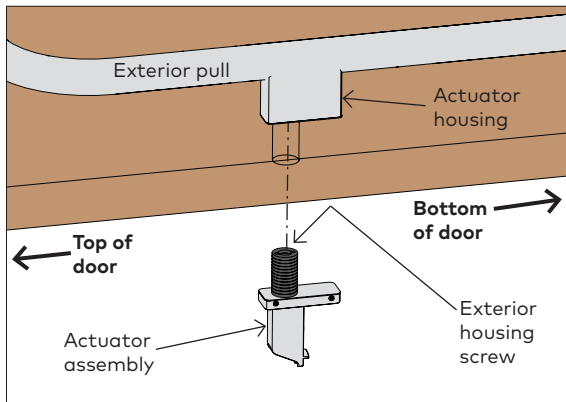
Pull Options	
Door side	Pull type
Interior	C
Exterior	C (shown)



2.2.1 Slide 13 actuator bushings onto the mounting plate locating pins.



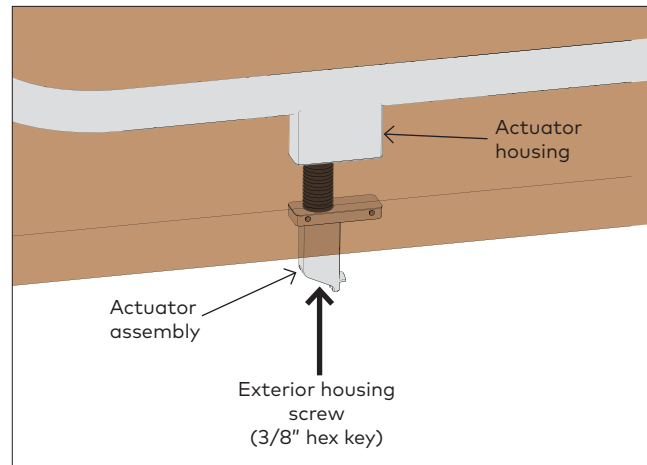
Tools required	
Exterior housing screw	3/8" hex key



2.2.2 Place exterior pull against wood door and align with hole in door.

2.2.3 Slide exterior housing screw through hole in actuator housing.

- Orient actuator assembly as shown above.

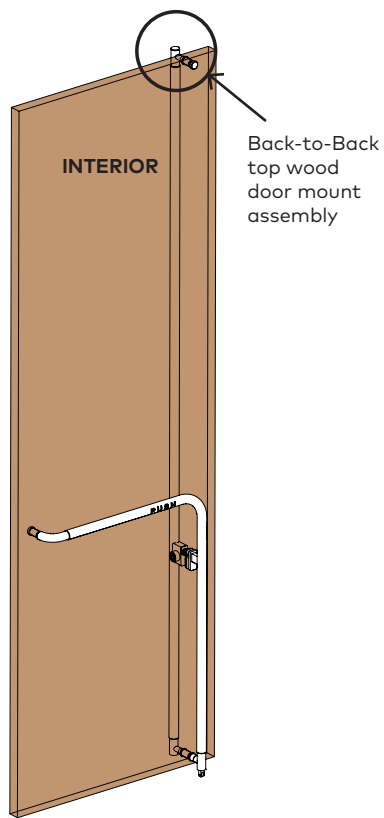


2.2.4 Secure actuator assembly (through door) to actuator housing by tightening exterior housing screw.

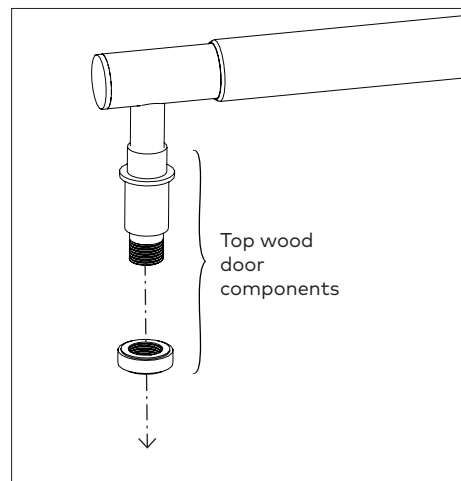
- Exterior housing screw can be accessed through end of actuator assembly.
- Use 3/8" hex key.

2.3 Mount exterior pull components - top standoff

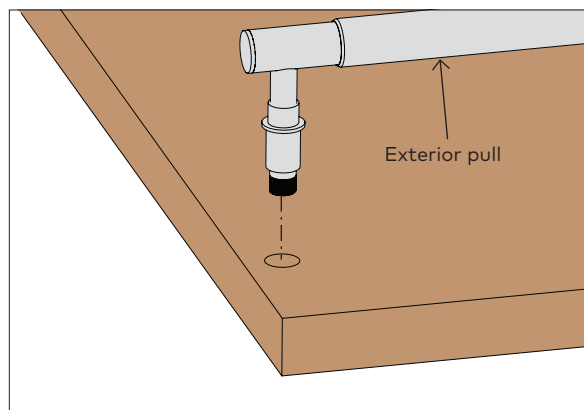
Fig 4



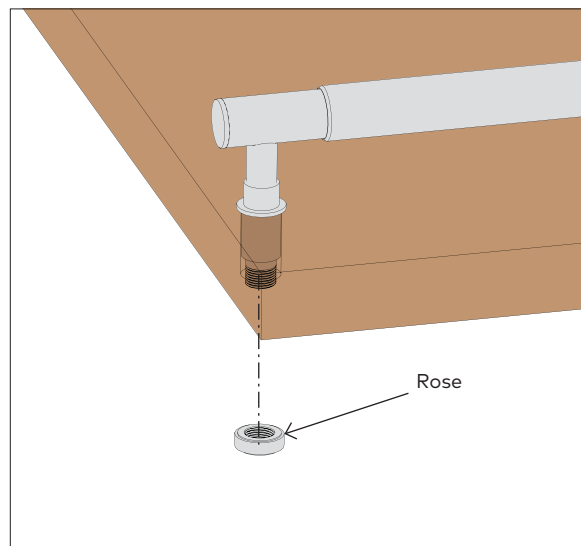
Pull Options	
Door side	Pull type
Interior	C
Exterior	F (shown)



2.3.1 Disassemble top wood door exterior pull components.



2.3.2 Place exterior pull through wood door.

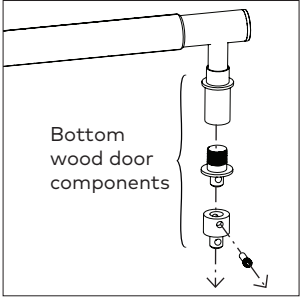


2.3.3 Thread rose onto coupler

2.4 Mount exterior pull components - bottom standoff

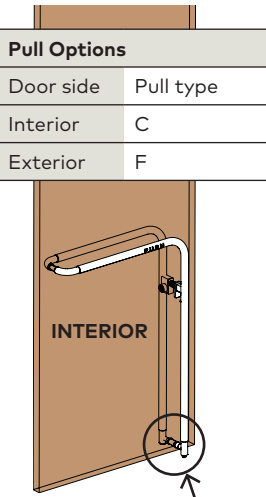
Fig 5

Back-to-back application



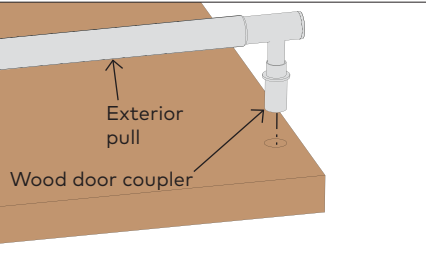
Bottom wood door components

Pull Options	
Door side	Pull type
Interior	C
Exterior	F



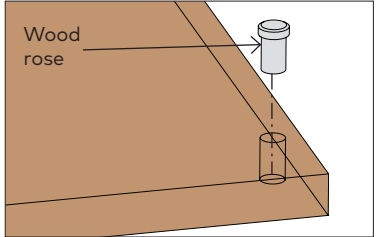
INTERIOR

2.4.1 Disassemble bottom wood door exterior pull components.



Exterior pull
Wood door coupler

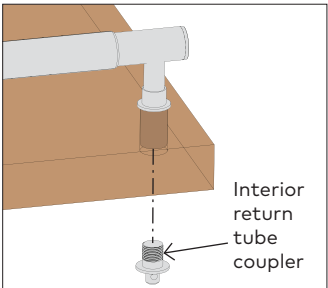
Back-to-Back bottom wood door mount assembly



Wood rose

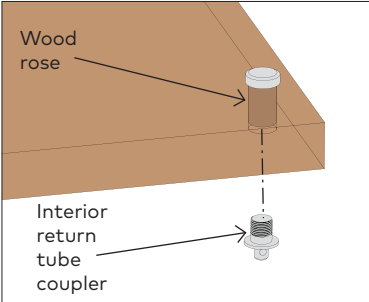
2.4.2 Place exterior pull through wood door.

2.4.3 Thread interior return tube coupler into wood door coupler.

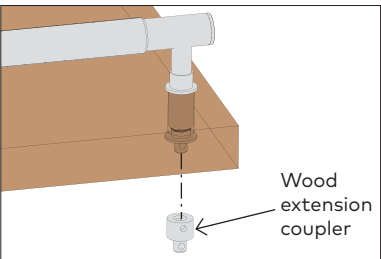


Interior return tube coupler

2.4.3 Thread interior return tube coupler into wood rose.



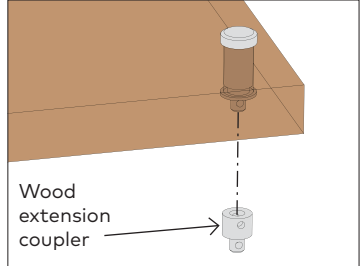
Wood rose
Interior return tube coupler



Wood extension coupler

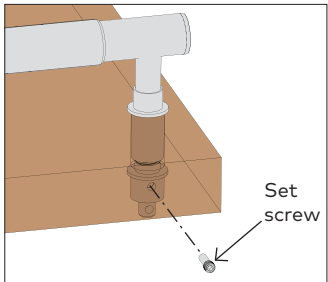
2.4.4 Slide wood extension coupler onto return tube coupler.

2.4.4 Slide wood extension coupler onto return tube coupler.



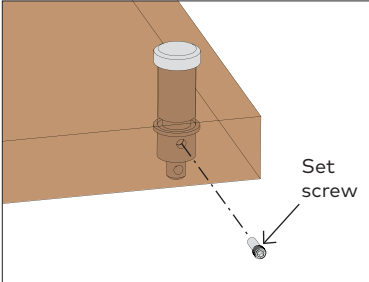
Wood extension coupler

2.4.5 Secure the two couplers together with the included set screw.



Set screw

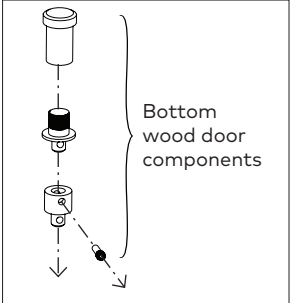
2.4.5 Secure the two couplers together with the included set screw.



Set screw

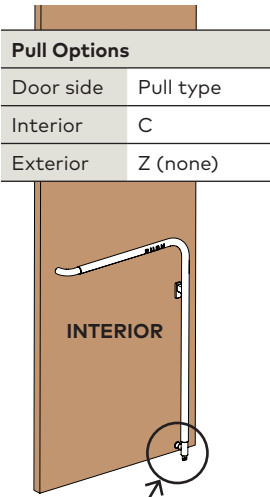
Single-sided application

Pull Options	
Door side	Pull type
Interior	C
Exterior	Z (none)

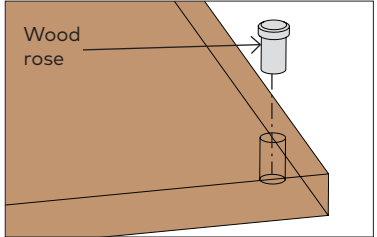


Bottom wood door components

2.4.1 Disassemble bottom wood door exterior pull components.



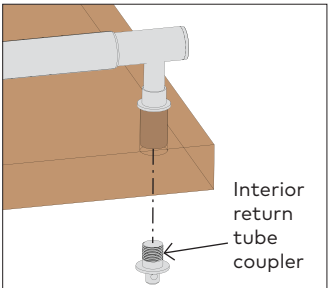
INTERIOR



Wood rose

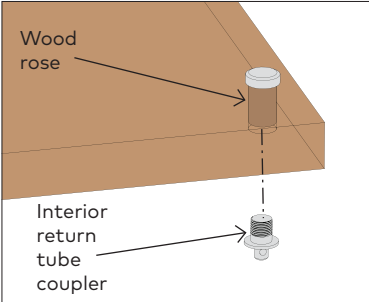
2.4.2 Place wood rose through door.

2.4.3 Thread interior return tube coupler into wood door coupler.



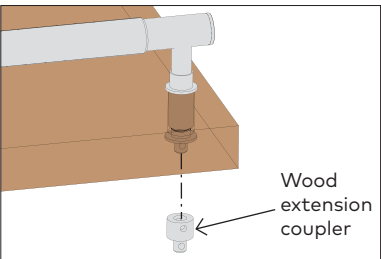
Interior return tube coupler

2.4.3 Thread interior return tube coupler into wood rose.



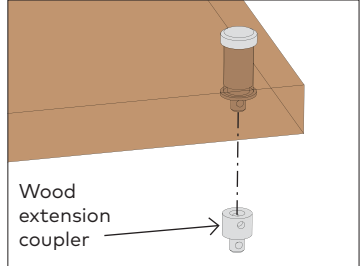
Wood rose
Interior return tube coupler

2.4.4 Slide wood extension coupler onto return tube coupler.



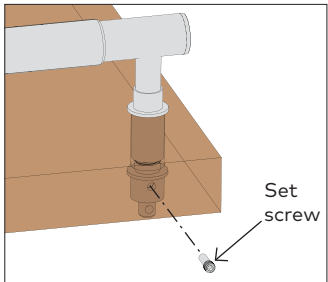
Wood extension coupler

2.4.4 Slide wood extension coupler onto return tube coupler.



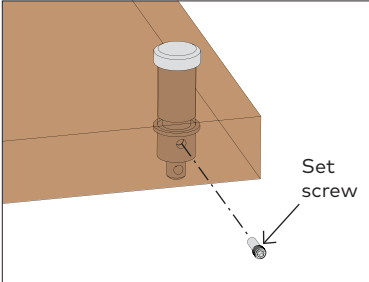
Wood extension coupler

2.4.5 Secure the two couplers together with the included set screw.



Set screw

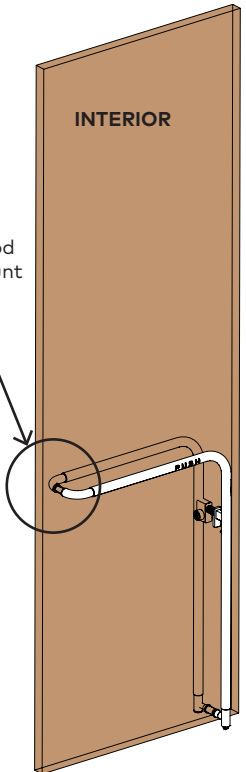
2.4.5 Secure the two couplers together with the included set screw.



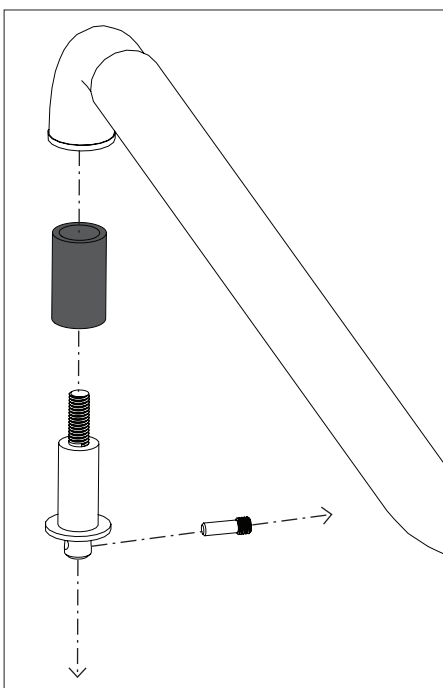
Set screw

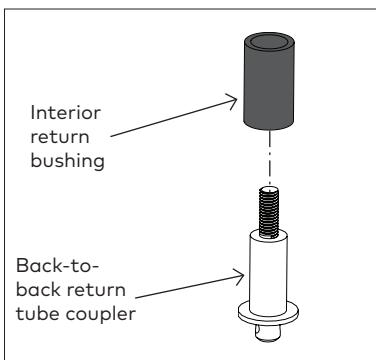
2.5 Mount exterior pull components - return tube (back-to-back)

Fig 6

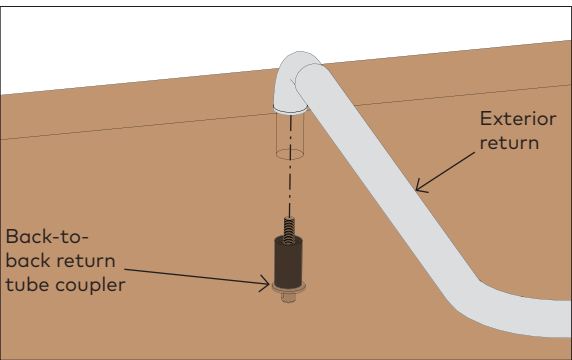


Pull Options	
Door side	Pull type
Interior	C
Exterior	C (shown)





2.5.2 Place bushing onto the back-to-back return tube coupler.



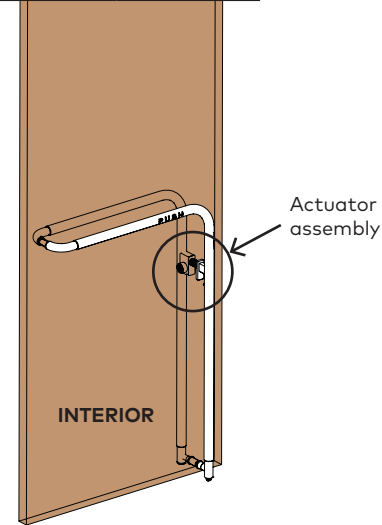
2.5.3 Place exterior return against wood door.
 2.5.4 Thread back-to-back return tube coupler into exterior return.

2.6 Mount interior pull components - actuator housing and int. pull

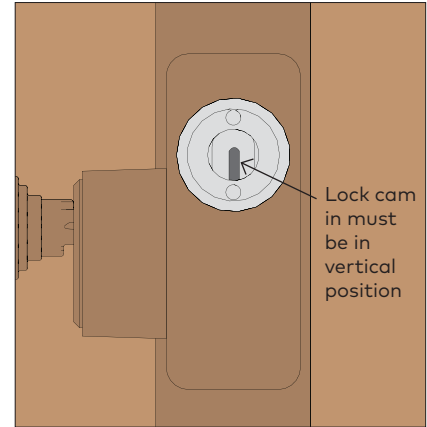
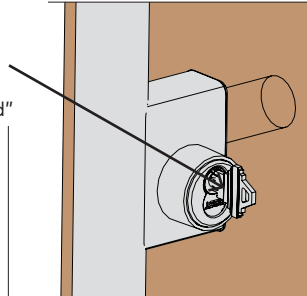
Fig 7

NOTE: FLIP DOOR OVER AND LAY FLAT ON SAW HORSES TO MOUNT THE INTERIOR SIDE COMPONENTS. INTERIOR SIDE SHOULD NOW FACE UP.

Pull Options	
Door side	Pull type
Interior	C
Exterior	C (shown)

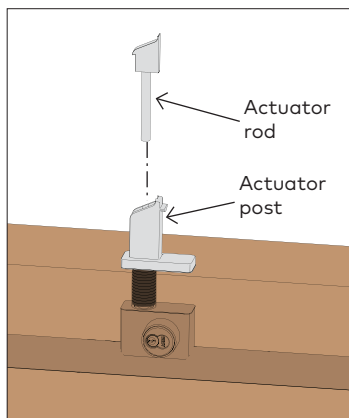


Key in vertical position - teeth facing "upward"

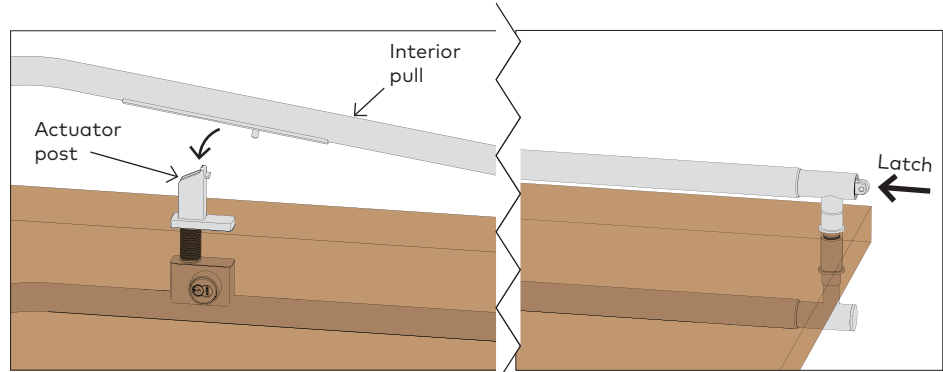


- 2.6.1 Check to ensure lock cam is in vertical position.
- Key should also be in vertical position.
 - Insert key with teeth facing "upward".

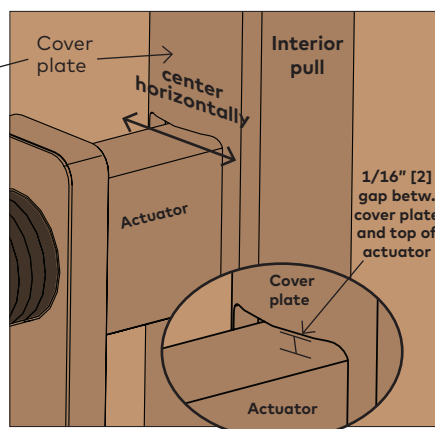
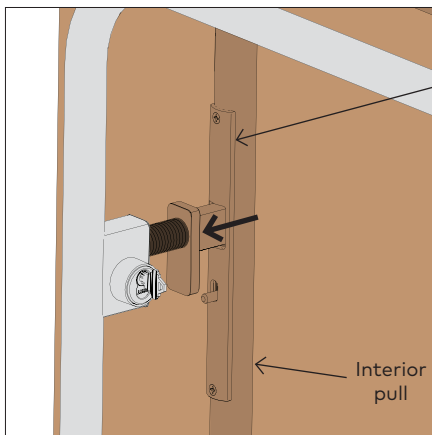
Note that cam is in vertical position.



- 2.6.2 Slide the actuator rod into the actuator post.



- 2.6.3 Engage roller latch by pushing it in while simultaneously sliding interior pull down onto actuator post at an angle.

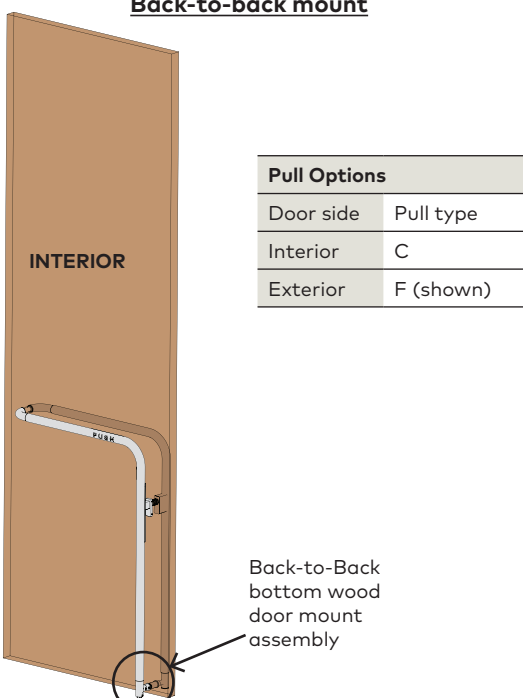


- 2.6.4 Push interior pull forward onto actuator post until it stops.
- 2.6.5 Release roller latch.
- 2.6.6 Ensure actuator is centered horizontally.
- 2.6.7 Ensure there is a 1/16" [2] gap between top of actuator and cover plate.

2.7 Mount interior pull components - bottom standoff

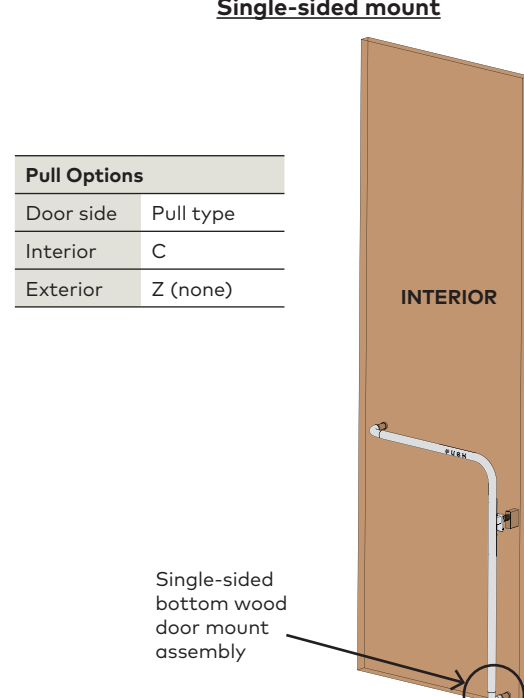
Fig 8

Back-to-back mount

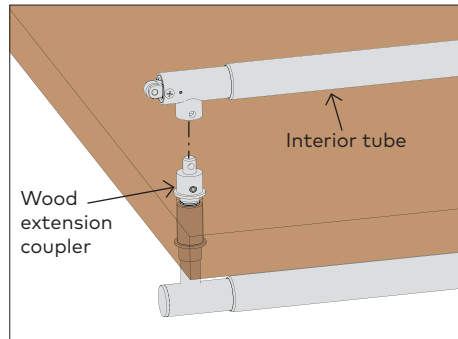


Pull Options	
Door side	Pull type
Interior	C
Exterior	F (shown)

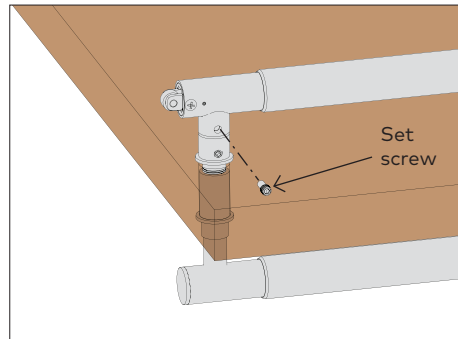
Single-sided mount



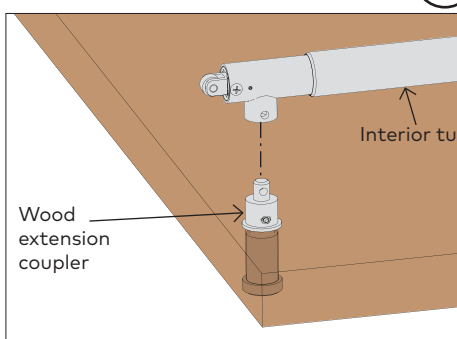
Pull Options	
Door side	Pull type
Interior	C
Exterior	Z (none)



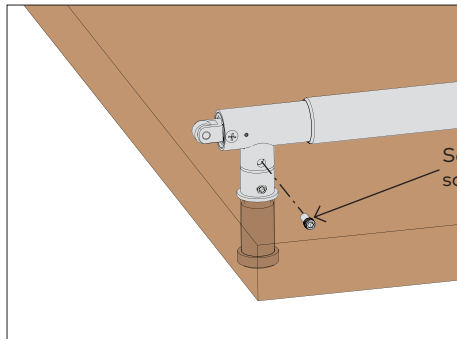
2.7.1 Slide interior tube onto wood extension coupler.



2.7.2 Secure to coupler with included set screw.



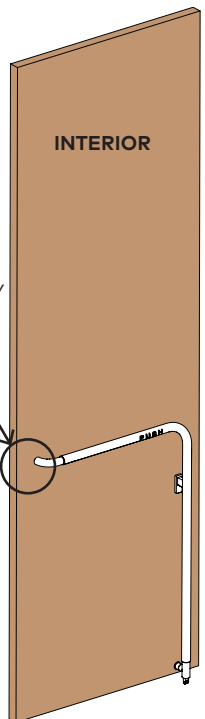
2.7.1 Slide interior tube onto wood extension coupler.



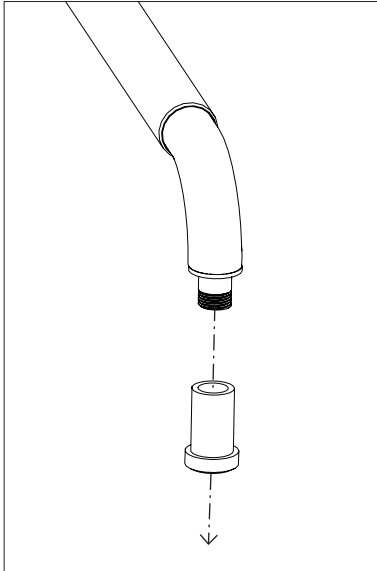
2.7.2 Secure to coupler with included set screw.

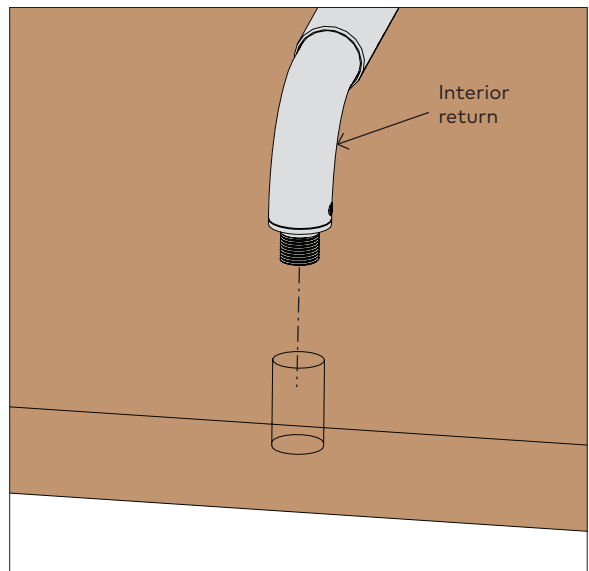
2.8 Mount interior pull components - return tube (single-sided)

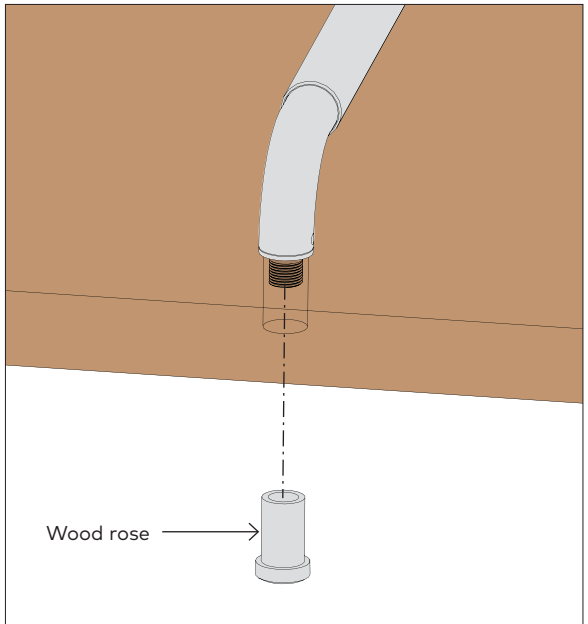
Fig 9



Pull Options	
Door side	Pull type
Interior	C
Exterior	none (Z) (shown)







2.8.1 Disassemble wood rose from interior return tube.

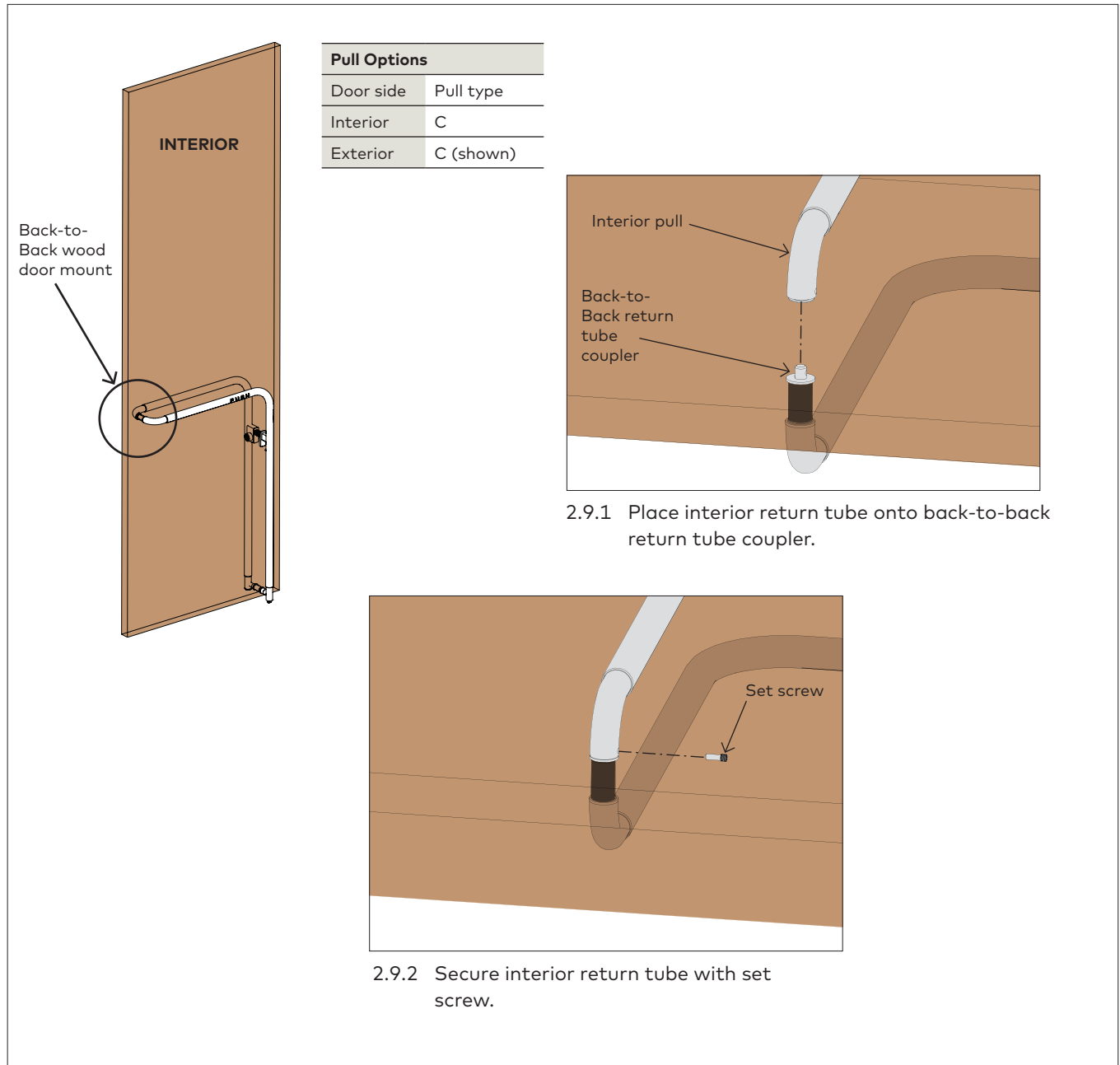
2.8.2 Insert interior return tube into hole in door.

2.8.3 Thread wood rose onto coupler.

NOTE: ADD LOCTITE® THREADLOCKER BLUE 242® DIRECTLY AFTER INSTALLATION OF THIS PART.

2.9 Mount interior pull components - return tube (back-to-back)

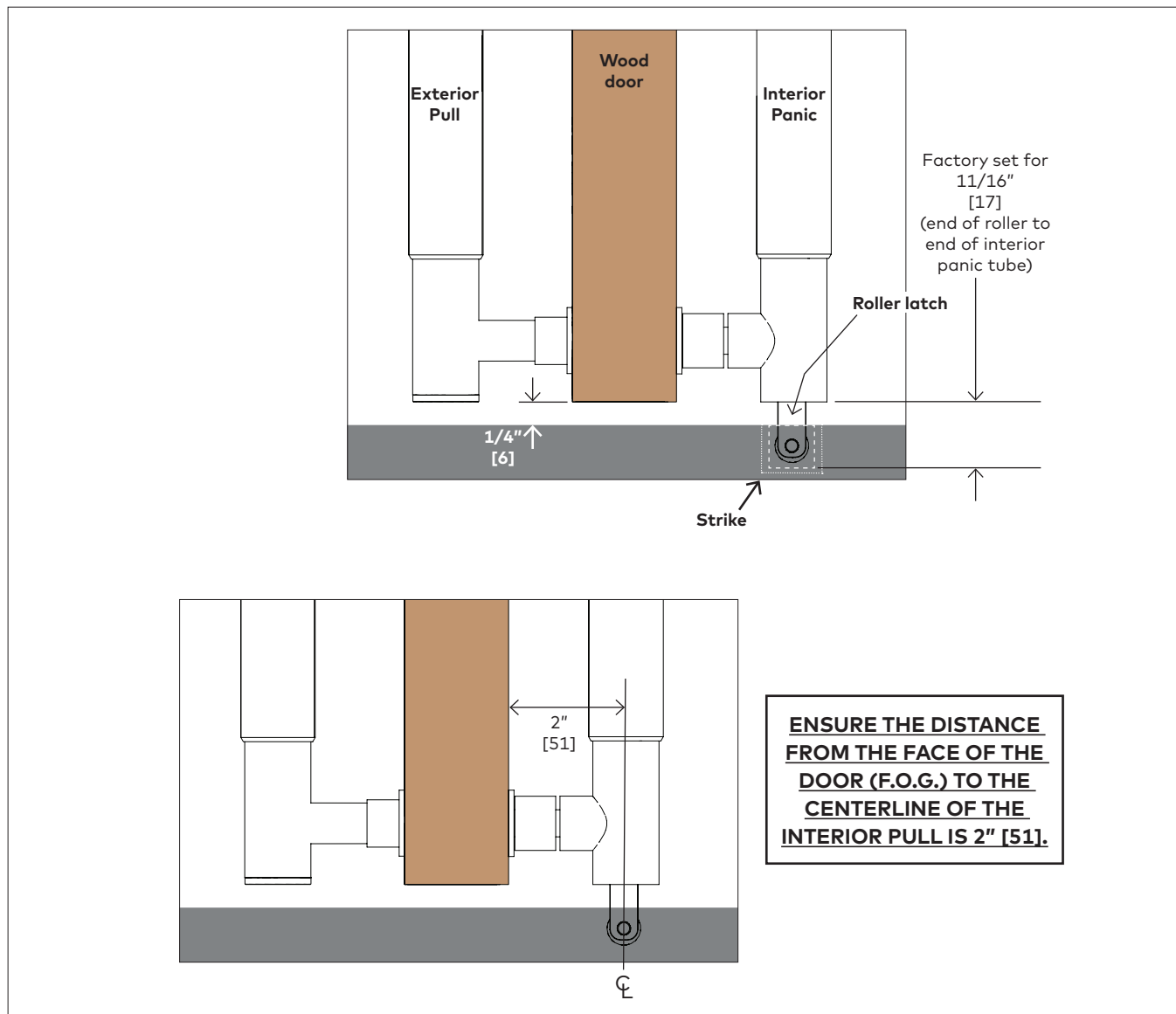
Fig 10



3 Adjustments

3.1 Clearances

Fig 11



3.1.1 Once the door is properly installed, ensure roller latch engages properly with strike.

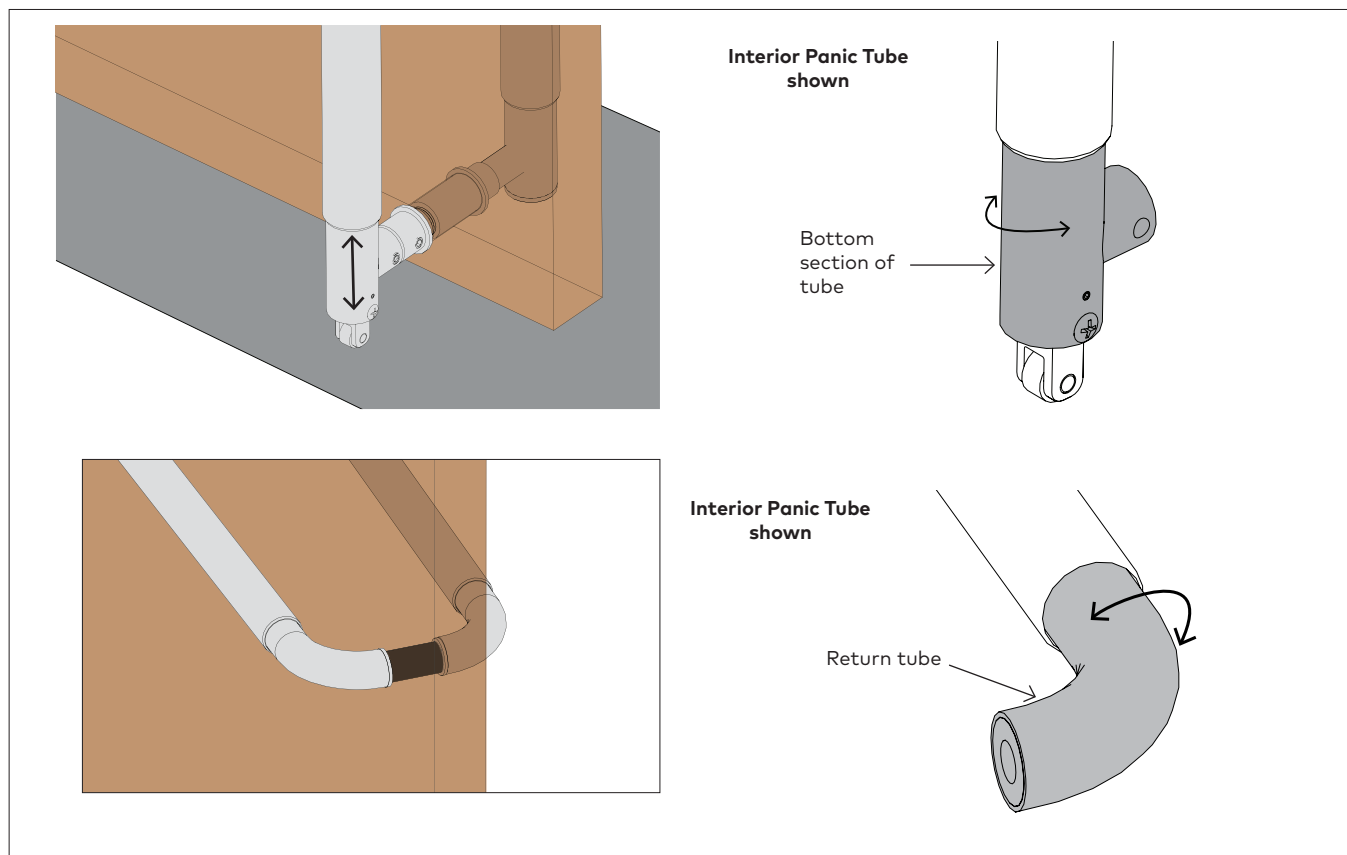
3.1.2 See step 3.2 for tube height or length adjustment.

3.1.3 Centerline of roller at bottom of roller latch should engage strike:

- minimum of 5/8" [16]
- maximum of 3/4" [19] (measure from bottom of the handle tubing to the bottom of the bolt that retains the roller.)

3.2 Final adjustments (tube height or length)

Fig 12



3.2.1 Ensure interior and exterior tubes are at the proper height and length.

3.2.2 To adjust height up or down:

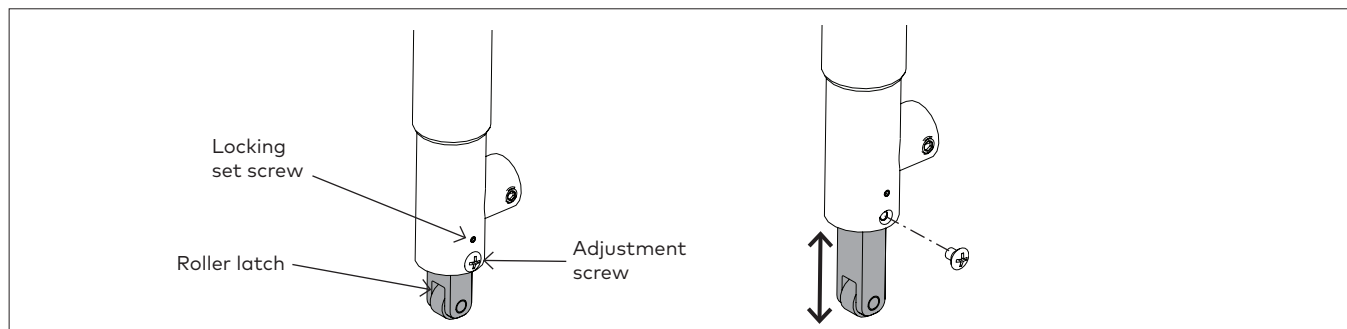
- Twist top/bottom sections of tube clockwise or counter clockwise until desired height is met.

3.2.3 To adjust length of tube:

- Twist return clockwise or counter clockwise until desired length is met.

3.3 Adjust roller latch

Fig 13



3.3.1 Ensure roller latch is at the proper height.

3.3.2 To adjust height up or down:

- Remove adjustment screw
- Loosen locking set screw (DO NOT REMOVE)
- Slide roller latch up or down until proper height is met.

3.3.3 Set latch height:

- Reinsert adjustment screw
- Tighten locking set screw

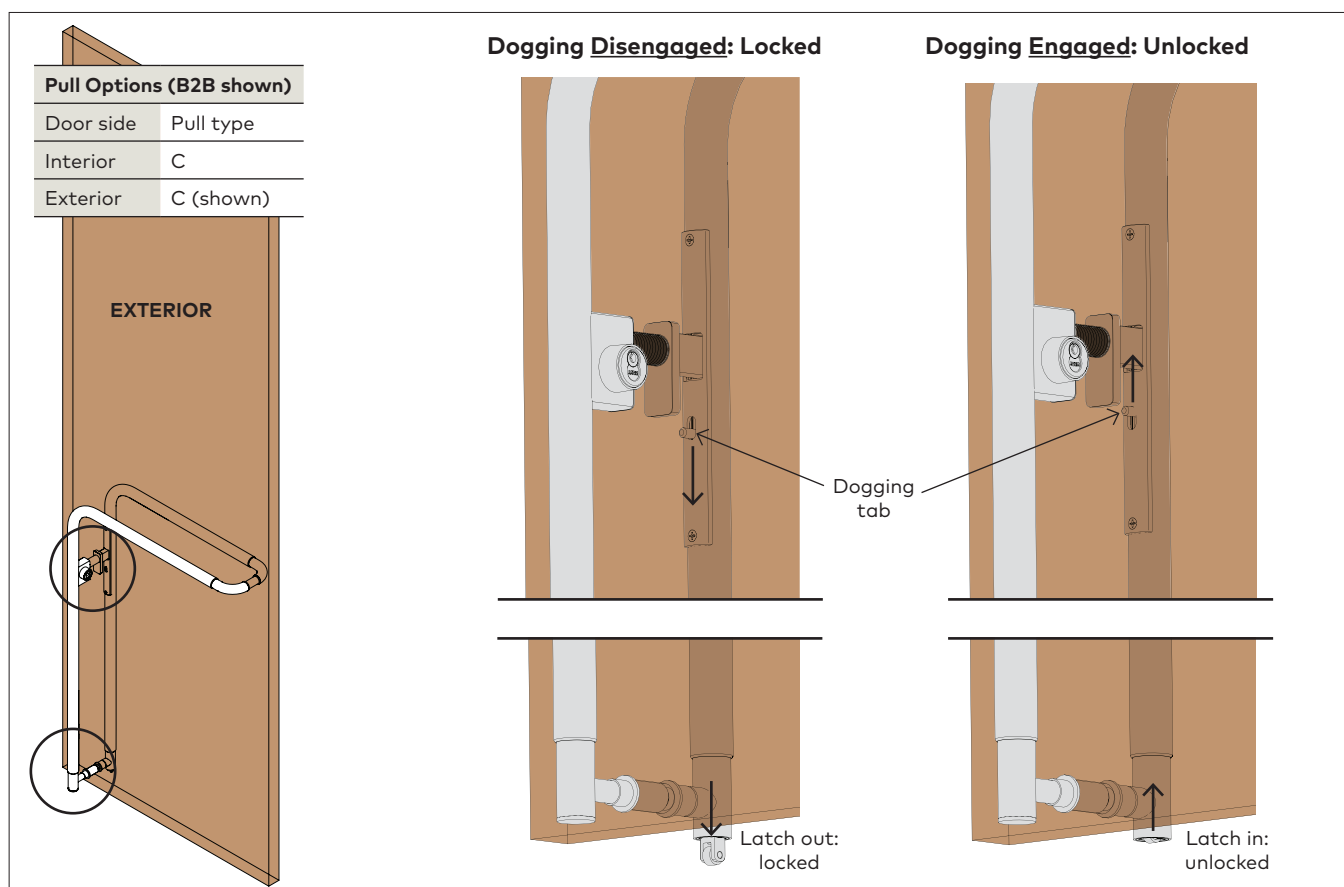
3.4 Loctite part list

GPII part	Referenced step
Actuator set screws *	Step 2.2
Interior coupler set screw *	Step 2.7.2
Interior return tube wood rose	Step 2.8.3
Interior return tube set screw *	Step 2.9.2
* To be completed after final adjustments (step 3.2)	

4 Function

4.1 Locking the panic (dogging)

Fig 14



NOTE: The panic is always **LOCKED** unless the dogging feature is engaged on the interior of the door.

4.1.1 **Dogging Disengaged:** To keep door **LOCKED** from both exterior and interior sides - move dogging tab **DOWN**.

4.2.2 **Dogging Engaged:** To keep door **UNLOCKED** from both exterior and interior side:

- press panic bar in and hold in place
- move dogging tab **UP SIMULTANEOUSLY**

