

ENCLOSURE WALL FULL SIZE

CONTRACTOR NOTE:
CONTRACTOR TO PROVIDE A 5 5/16" x 2" DEEP CUT OUT TO ACCEPT FLOOR MOUNTED PIVOT BEARING.

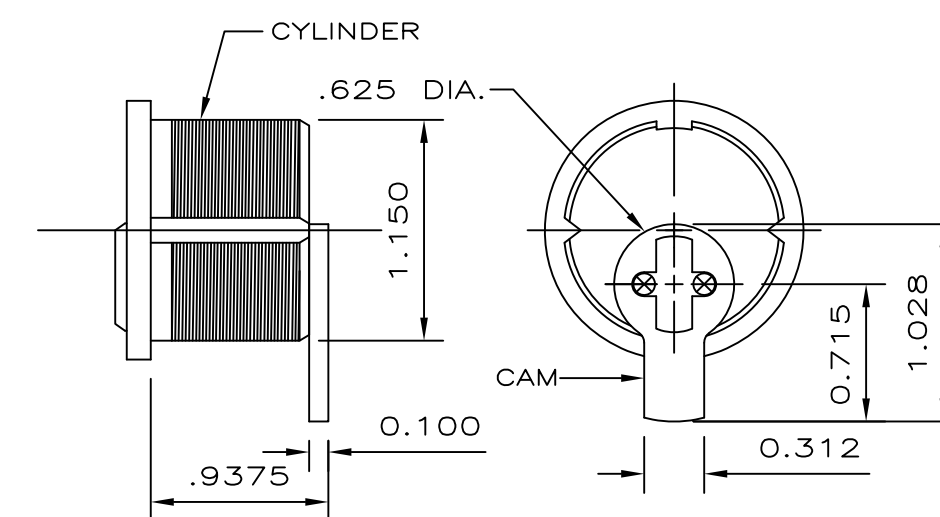
GENERAL NOTES

- CONTRACTOR SHOULD CHECK & TAKE NOTE OF ALL DIMENSIONS AS C.D.C. (CRANE DOOR CO.) ASSUMES NO RESPONSIBILITY BEYOND MANUFACTURING IN ACCORDANCE WITH THE DIMENSIONS SHOWN ON SHOP DRAWINGS.
- APPROVAL INDICATES THAT THIS SHOP DRAWING HAS BEEN CHECKED AND THAT YOU AUTHORIZE US TO FABRICATE MATERIALS AS SHOWN HERE-IN.
- REVOLVING DOOR PERIMETER CAULKING (INCLUDING BASE SECTION TO FLOOR) AND CANOPY COVER CAULKING NOT BY C.D.C. ALL HOLES IN FLOOR NOT BY C.D.C.
- MATERIAL TO BE:**
MINIMUM .060 THICKNESS STAINLESS STEEL TYPE 304 (UNLESS OTHERWISE SPECIFIED)
- FINISH TO BE:**
CRANE STANDARD #4 SATIN
- GLASS TO BE:**
1/4" TEMPERED FLOAT FOR WINGS
7/16" BENT LAMINATED FLOAT FOR ENCLOSURE
GLASS TO MEET ANSI Z97.1 AND 16 CFR 1201.
ALL TEMPERED GLASS TO HAVE SAFETY LOGOS.
IF ADDITIONAL LOGOS ARE REQUIRED PLEASE SPECIFY.

HARDWARE SCHEDULE

- OVERHEAD MANUAL SPEED CONTROL UNIT.
- FLOOR MOUNTED PIVOT BEARING ASSEMBLY.
- FULVIEW II PANIC PROOF BOOK-FOLD MECHANISM IN COMPLIANCE WITH ALL APPLICABLE REGULATIONS.
- LOCKS: SPECIAL REV. DOOR TYPE TWO (2) REQUIRED INSTALLED AT TOP RAILS OF TWO ADJACENT WINGS FOR INTERIOR LOCKING.
- CYLINDERS: STANDARD SIZE MORTISE TYPE, TWO (2) REQUIRED PER REV. DOOR UNIT, TO BE SUPPLIED BY OTHERS TO C.D.C. FOR SHOP INSTALLATION.
- PUSH BARS: 1" DIA. STAINLESS STEEL, FINISH TO MATCH DOOR.
- CEILING LIGHTS: TWO (2) SPECIAL FLUORESCENT REV. DOOR TYPE, COMPLETE WITH LENS & SNAP-IN TRIM RING. FC8T9 CIRCLINE LAMP & 110 V.A.C. WIRING NOT BY C.D.C.

INSTALLER NOTE:
BOOK-FOLD TENSION IS NOT PRESET; IT MUST BE ADJUSTED TO MEET BUILDING CONDITIONS.



TYPICAL CYLINDER AND "STRAIGHT ARM" TYPE CAM REQUIRED FULL SIZE
NOTE: ADAMS-RITE CAM MAY BE SUBSTITUTED

NOTE: PRIOR TO FABRICATION, SHOP DRAWINGS AND FINISH SAMPLES MUST BE FULLY APPROVED AND RETURNED TO C.D.C.

CRANE DORMA REVOLVING DOORS™	
PHONE: 847-295-2700	FAX: 847-295-5288
SCALE: AS SHOWN	JOB NAME: XXX
DRAWN BY: JNP	REVISIONS:
FAB. CHECK:	LOCATIONS: PLEASE ADVISE
CHECKED BY:	ARCHITECT: PLEASE ADVISE
ORD. NO.:	CONTRACTOR: PLEASE ADVISE
DATE: 2009	SUB. CONTRACTOR: PLEASE ADVISE
	MFG. REPRESENTATIVE: PLEASE ADVISE
	HOW. CHECK:
	NOTES: X
SHEET 1 OF 2	DRAWING NO.: SS 3000 L

