

## 8130 Straight Round Entrance Pull Handles

dormakaba's straight round entrance pull handles epitomize the high quality ambitions of the dormakaba brand – designed for excellence down to the very last detail and exuding fine craftsmanship. They offer genuine quality, characterised by clearly defined features – irrespective of shape or size.

Created in solid, premium 316 Marine Grade Stainless Steel offering superior corrosion resistance for internal and external use in high traffic buildings. The round section allows comfortable ease of use.

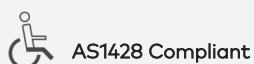
The 8130 entrance pull handles are an ideal choice for residential and commercial applications and are suitable for use on glass, timber and aluminium doors.

### Features at a glance:

- 316 Marine Grade Stainless Steel
- Designed with your project's needs in mind
- High durability with concealed fixings
- Standard finishes: SSS and PSS
- Powdercoat and custom finishes available on request

Please refer to ordering details for a range of optional accessories to suit:

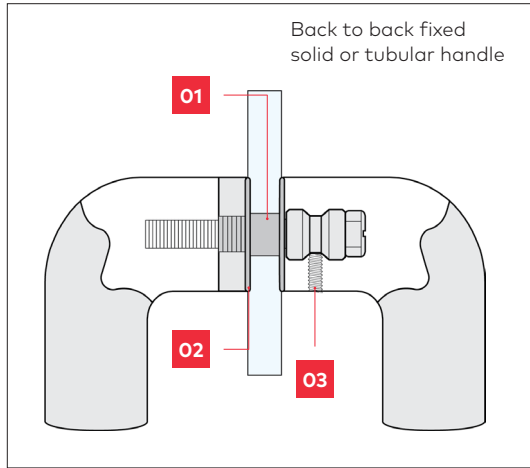
- Back to back extended fixing for timber doors
- Back to back fixing for glass doors
- Disc fixing for timber doors
- Disc fixing for glass doors



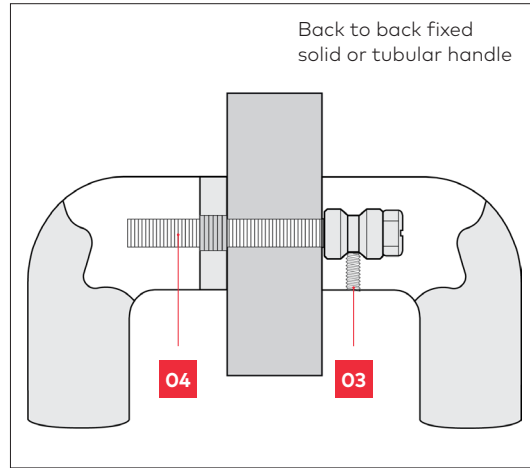
dormakaba Australia  
Head Office  
12-13 Dansu Court  
Hallam VIC 3803  
T: 1800 675 411  
info.au@dormakaba.com  
www.dormakaba.com.au

dormakaba New Zealand  
Head Office  
Building P, 61-69 Patiki Road  
Avondale, Auckland 1026  
T: 0800 436 762  
info.nz@dormakaba.com  
www.dormakaba.co.nz

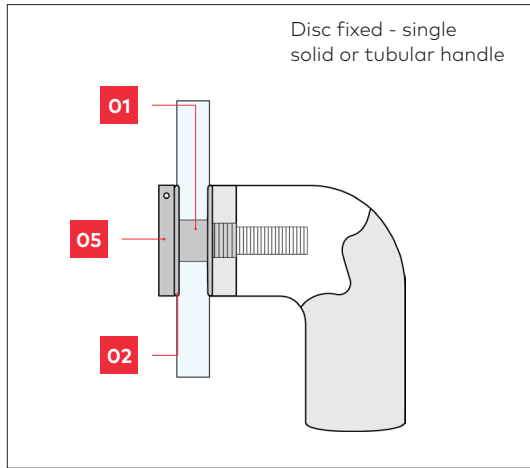
# Fixing options



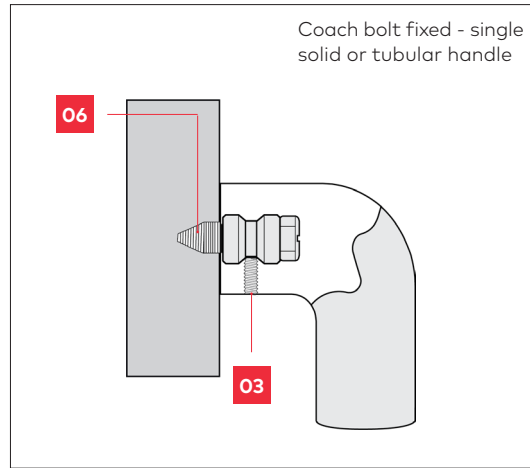
**GD FIX** - glass doors



**TM FIX** - timber or metal doors



**D FIX** - glass, metal or timber doors



**C FIX** - timber doors only

## Note

Nylon spacers and washers are included with handle for glass door fixing option.

## Legend

01 Spacer      03 Grub Screw      05 Disc  
02 Washer      04 Bolt      06 Coach Bolt

## TIMBER DOOR FIXING

Material Size	Bolt Size
14mm Ø	5mm
16mm Ø	5mm
19mm Ø	8mm
25mm Ø	8mm
32mm Ø	8mm

## METAL DOOR FIXING

Material Size	Bolt Size
14mm Ø	5mm
16mm Ø	5mm
19mm Ø	8mm
25mm Ø	8mm
32mm Ø	8mm

## GLASS DOOR FIXING

Material Size	Bolt Size
14mm Ø	12mm Ø
16mm Ø	12mm Ø
19mm Ø	12mm Ø
25mm Ø	12mm Ø
32mm Ø	12mm Ø

# Ordering details

Item	Article Number	Description	Diameter	Projection	Length	Fixing Centres
<b>BACK TO BACK FIXING</b>						
B8130/320/12/PSS	9458133080102	B8130/320/12 OA 400 CTC 320 PSS	12mm	55mm	400mm	320mm
B8130/320/12/SSS	9458133080101	B8130/320/12 OA 400 CTC 320 SSS	12mm	55mm	400mm	320mm
B8130/520/12/PSS	9458134430102	B8130/520/12 OA 600 CTC 520 PSS	12mm	55mm	600mm	520mm
B8130/520/12/SSS	9458134430101	B8130/520/12 OA 600 CTC 520 SSS	12mm	55mm	600mm	520mm
B8130/720/12/PSS	9458135390102	B8130/720/12 OA 800 CTC 720 PSS	12mm	55mm	800mm	720mm
B8130/720/12/SSS	9458135390101	B8130/720/12 OA 800 CTC 720 SSS	12mm	55mm	800mm	720mm
<b>ACCESSORIES - EXTENDED FIXINGS - sold as a pair</b>						
TM/M8/50	9459508058200	M8/50 FERULE HEAD BOLT TM FIX	<b>Note: When ordering extended fixings please use the below formula.</b> Door thickness + 20mm for the Ferule + 10mm in to the other handle = round up to the nearest size offered.			
TM/M8/75	9459758078200	M8/75 FERULE HEAD BOLT TM FIX				
TM/M8/90	9400000012887	M8/90 BOLT & 16MM FERULE TM FIX				
TM/M8/100	9400000012888	M8/100 BOLT & 16MM FERULE TM FIX				
TM/M8/110	9459118118200	M8/110 BOLT & 16MM FERULE TM FIX				
TM/M8/120	9459128128200	M8/120 BOLT & 16MM FERULE TM FIX				
TM/M8/130	9459138138200	M8/130 BOLT & 16MM FERULE TM FIX				
TM/M8/150	9459158158200	M8/150 BOLT & 16MM FERULE TM FIX				
<b>ACCESSORIES - GLASS FIXINGS - sold as a pair</b>						
GF50/M8/50 SQU	9400000014832	50X50 SQU GLASS FIXING PAIR				
<b>CONCEALED FIXING</b>						
C8130/320/12/PSS	9458133080202	C8130/320/12 OA 400 CTC 320 PSS	12mm	55mm	400mm	320mm
C8130/320/12/SSS	9458133080201	C8130/320/12 OA 400 CTC 320 SSS	12mm	55mm	400mm	320mm
C8130/520/12/PSS	9458134430202	C8130/520/12 OA 600 CTC 520 PSS	12mm	55mm	600mm	520mm
C8130/520/12/SSS	9458134430201	C8130/520/12 OA 600 CTC 520 SSS	12mm	55mm	600mm	520mm
C8130/720/12/PSS	9458135390202	C8130/720/12 OA 800 CTC 720 PSS	12mm	55mm	800mm	720mm
C8130/720/12/SSS	9458135390201	C8130/720/12 OA 800 CTC 720 SSS	12mm	55mm	800mm	720mm
<b>DISC FIXING</b>						
D8130/320/12/PSS	9458133080302	D8130/320/12 OA 400 CTC 320 PSS	12mm	55mm	400mm	320mm
D8130/320/12/SSS	9458133080301	D8130/320/12 OA 400 CTC 320 SSS	12mm	55mm	400mm	320mm
D8130/520/12/PSS	9458134430302	D8130/520/12 OA 600 CTC 520 PSS	12mm	55mm	600mm	520mm
D8130/520/12/SSS	9458134430301	D8130/520/12 OA 600 CTC 520 SSS	12mm	55mm	600mm	520mm
D8130/720/12/PSS	9458135390302	D8130/720/12 OA 800 CTC 720 PSS	12mm	55mm	800mm	720mm
D8130/720/12/SSS	9458135390301	D8130/720/12 OA 800 CTC 720 SSS	12mm	55mm	800mm	720mm
<b>ACCESSORIES - EXTENDED FIXINGS - sold as a pair</b>						
DF32/M8/75 PSS	9459753288102	32MM DISK FIX PAIR M8X75MM PSS				
DF32/M8/75 SSS	9400000014109	32MM DISK FIX PAIR M8X75MM SSS				
<b>ACCESSORIES - GLASS FIXINGS - sold as a pair</b>						
GDF32/M8/50 PSS	9459503288102	32MM GLASS DISK FIX PSS PAIR M8X50MM				
GDF32/M8/50 SSS	9459503288101	32MM GLASS DISK FIX SSS PAIR M8X50MM				