

Vestibule push plate stainless steel actuator

Automatic swinging doors



Features & benefits

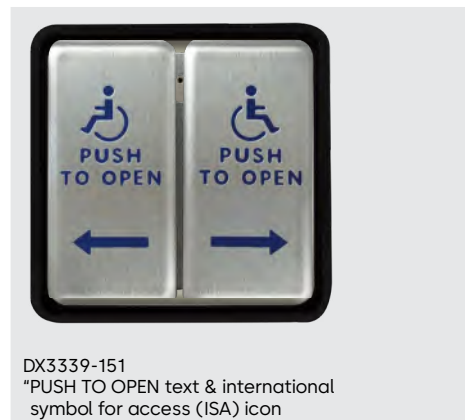
- 1/16" thick stainless steel for maximum durability.
- Concealed fasteners to minimize vandalism.
- Complete kits available including plates, mounting boxes, and optional wireless devices for ease of ordering.
- Compatible with both surface and flush mount boxes.

Description

dormakaba's vestibule push plate improves overall access and seamlessly integrates with automatic door operator activation.

These ADA compliant push plates combine two jamb-style plates that fit into one double gang mounting box for ease of installation. These vestibule push plates may be hard-wired to the door operator or connected to dormakaba wireless transmitters.

Vestibule push plate



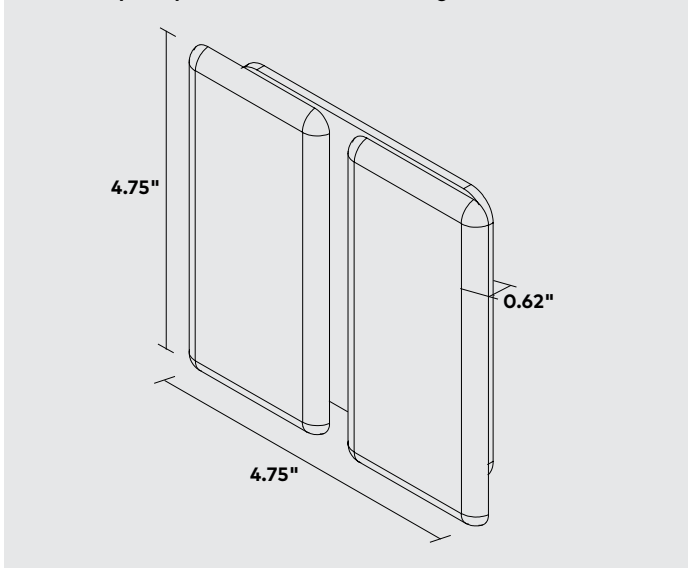
Applications



Technical specifications

Faceplate material	16 gauge, 304 2B Stainless Steel
Backplate material	1/8" thick, Aluminum
Mounting screws	Stainless Steel, 6-32 x 1" & 8-32 x 1" Allen head size: 5/64"
Cherry switch	Single-pole, 15 A, COM / NO / NC, UL Recognized
Compatible wireless frequencies	900, 433, or 300 MHz

Vestibule push plate dimensional drawing



© dormakaba 2024 Information on this sheet is intended for general use only. dormakaba reserves the right to alter designs and specifications without notice or obligation.

Any questions? We would be happy to advise you.

Contact us at: 1-800-265-6630