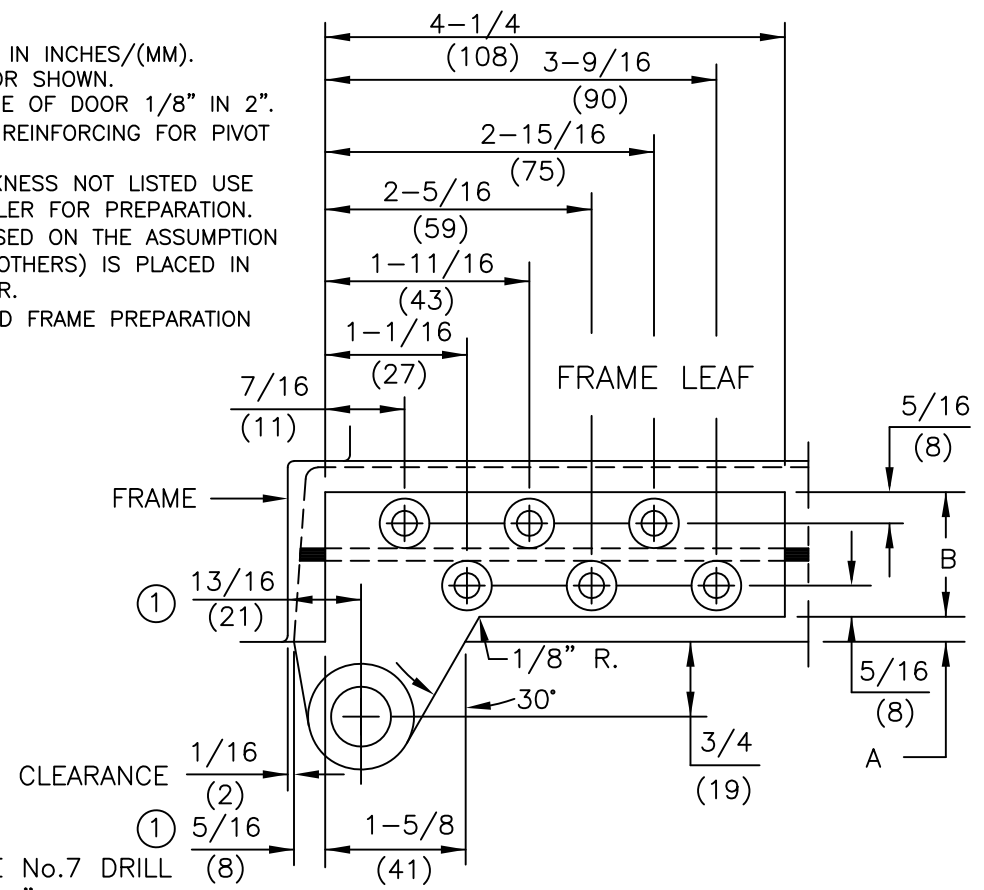


- NOTES
2. DIMENSIONS ARE IN INCHES/(MM).
 3. RIGHT HAND DOOR SHOWN.
 4. BEVEL HEEL EDGE OF DOOR 1/8" IN 2".
 5. ALL NECESSARY REINFORCING FOR PIVOT BY OTHERS.
 6. FOR DOOR THICKNESS NOT LISTED USE NEXT SIZE SMALLER FOR PREPARATION.
 7. TEMPLATE IS BASED ON THE ASSUMPTION THAT LEAD (BY OTHERS) IS PLACED IN CENTER OF DOOR.
 8. FLUSH DOOR AND FRAME PREPARATION SHOWN.



FOR 1/4-20 MACHINE SCREWS USE No.7 DRILL
 FOR No.14 WOOD SCREWS USE 5/32" DRILL
 SIX (6) HOLES PER LEAF

FOR FLUSH DOOR AND FRAME			
DOOR THICKNESS	DIM "A"	DIM "B"	DIM "C"
1-3/4"	1/4	1-1/4	1/4
2"	5/16	1-3/8	5/16
2-1/4"	3/8	1-1/2	3/8
2-1/2"	7/16	1-5/8	7/16
3"	1/2	2	1/2

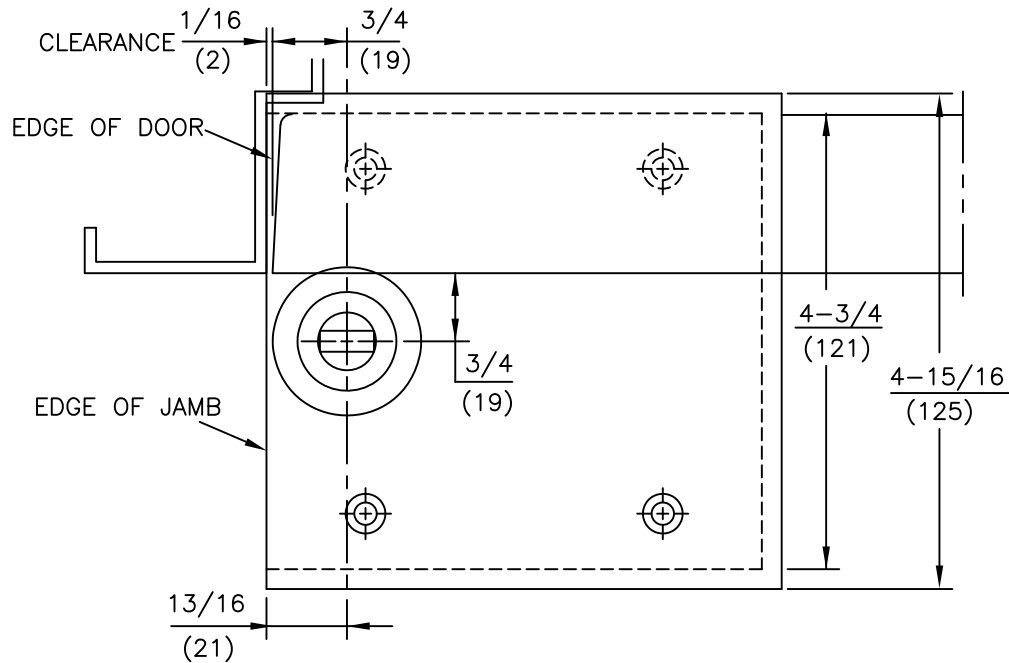
FOR 1/8" INSET DOOR			
DOOR THICKNESS	DIM "A"	DIM "B"	DIM "C"
1-3/4"	3/8	1-1/4	1/4
2"	7/16	1-3/8	5/16
2-1/4"	1/2	1-1/2	3/8
2-1/2"	9/16	1-5/8	7/16
3"	5/8	2	1/2

ALL SERIES: [75140, 75142, 75143 (DOOR FLUSH WITH FRAME) NON-HANDED],
 [75140 5/8, 75142 5/8, 75143 5/8 (DOOR INSET 1/8" FROM FRAME) HANDED]
 3/4" OFFSET FULL MORTISE TOP PIVOT
 FOR LEAD LINED OR EXTRA HEAVY DOORS

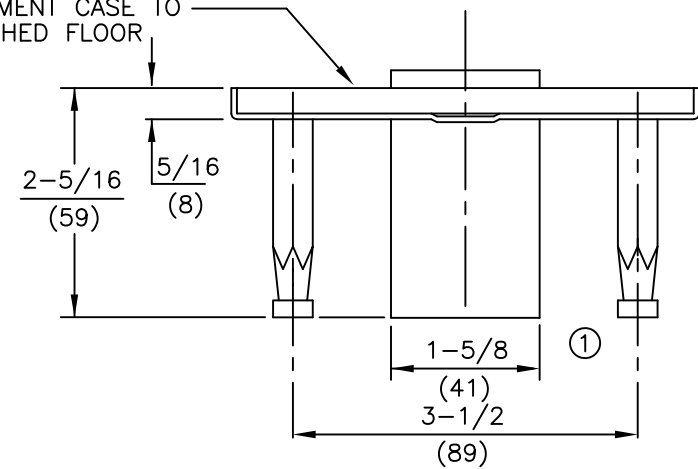


NOTES:

1. DO NOT SCALE DRAWING.
2. DIMENSIONS ARE IN INCHES\MM.
3. RIGHT HAND DOOR SHOWN.

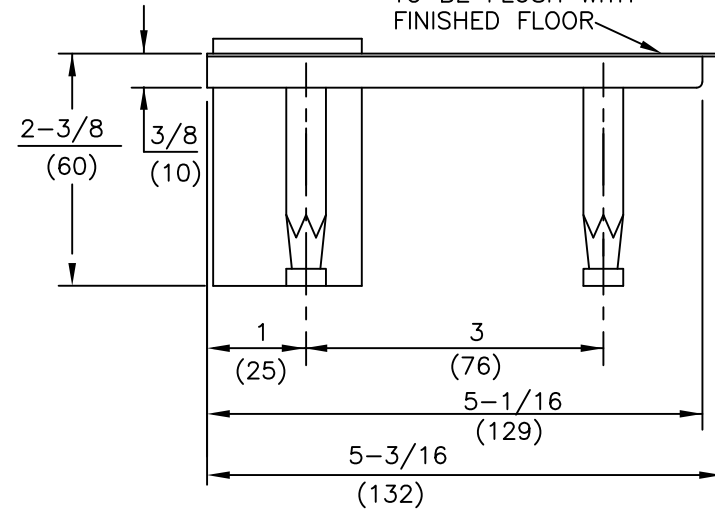


TOP SURFACE OF CEMENT CASE TO BE FLUSH WITH FINISHED FLOOR



WITH THRESHOLD

BASE COVER PLATE TO BE FLUSH WITH FINISHED FLOOR

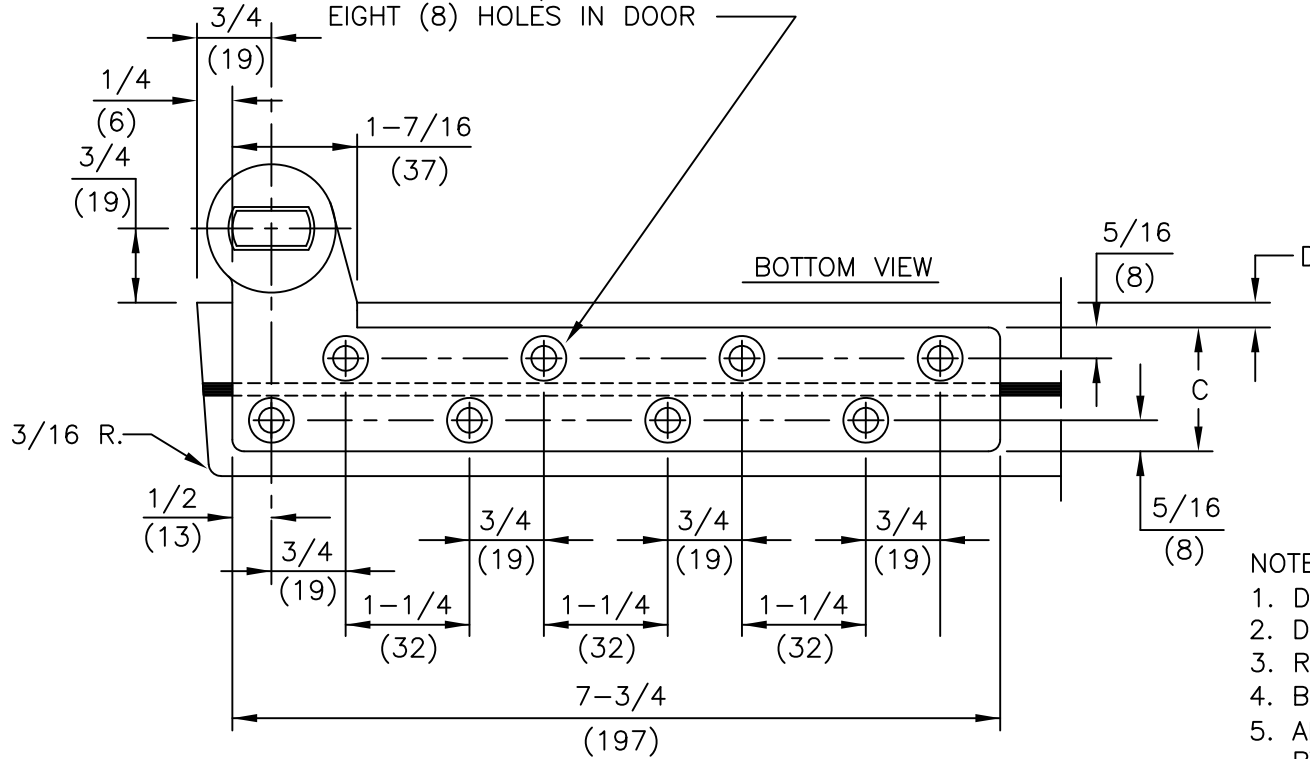


WITHOUT THRESHOLD

ITEM No. 7471HD FLOOR BEARING
 3/4" OFFSET HEAVY DUTY FLOOR BEARING INSTALLATION
 FOR USE WITH 75323 & 75343, 75343-2,
 75343-2-1/4, 75343-2-1/2, 75343-3 LEAD LINED BOTTOM ARMS



FOR 1/4-20 MACHINE SCREWS USE No.7 DRILL
 FOR No.14 WOOD SCREWS USE 5/32" DRILL
 EIGHT (8) HOLES IN DOOR

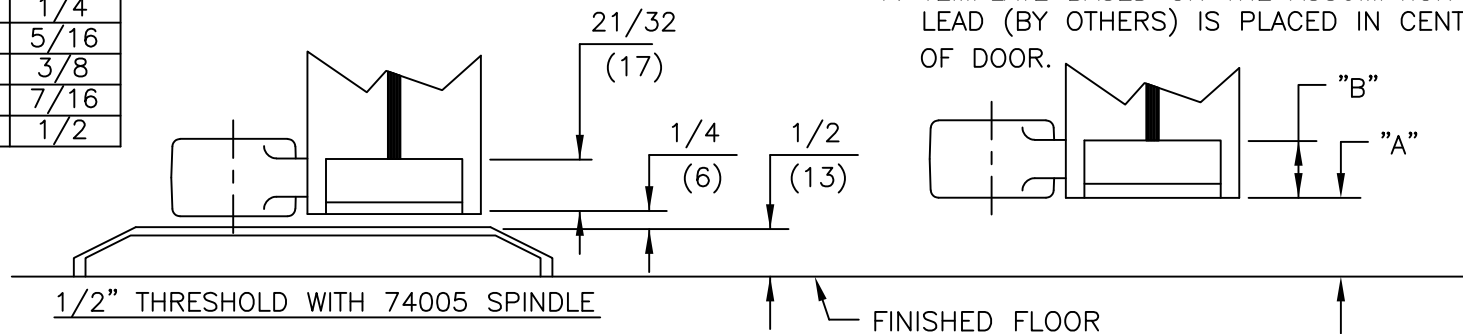


SPINDLE EXT.	"A" CLEARANCE	"B" MORTISE DEPTH
74003	3/8"	25/32"
74003	9/16"	19/32"
STD.74005	3/4"	19/32"
74007	7/8"	19/32"
74010	1"	19/32"
74012	1-1/16"	19/32"
74015	1-1/8"	19/32"
74020	1-3/8"	19/32"
74025	1-9/16"	19/32"
74030	1-3/4"	19/32"

NOTES

- DO NOT SCALE DRAWING.
- DIMENSIONS ARE IN INCHES/(MM).
- RIGHT HAND DOOR SHOWN.
- BEVEL HEEL EDGE OF DOOR 1/8" IN 2".
- ALL NECESSARY REINFORCEMENT FOR ARM BY OTHERS.
- FOR DOOR THICKNESS NOT LISTED USE NEXT SIZE NARROWER ARM.
- TEMPLATE BASED ON THE ASSUMPTION THAT LEAD (BY OTHERS) IS PLACED IN CENTER OF DOOR.

DOOR THICKNESS	DIM "C"	DIM "D"
1-3/4"	1-1/4"	1/4"
2"	1-3/8"	5/16"
2-1/4"	1-1/2"	3/8"
2-1/2"	1-5/8"	7/16"
3"	2"	1/2"

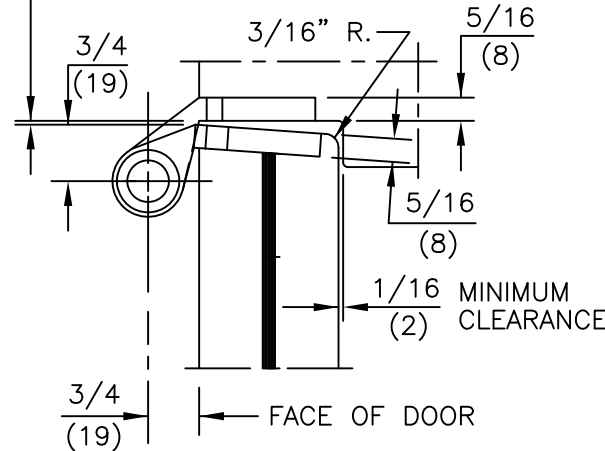


ITEM No. 75343, 75343-2, 75343-2 1/4, 75343-2 1/2, 75343-3
 3/4" OFFSET HEAVY DUTY BOTTOM ARM FOR LEAD LINED OR EXTRA HEAVY DOORS
 FOR NON-FIRE OR 3HR. RATED DOORS
 FOR USE WITH 7471HD FLOOR BEARING

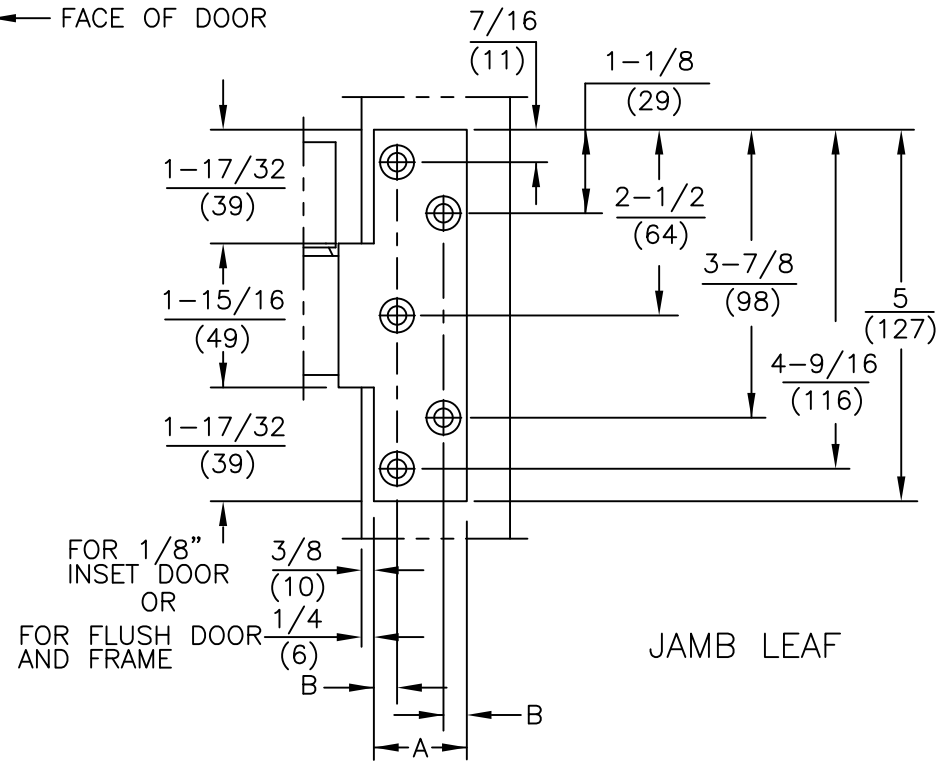
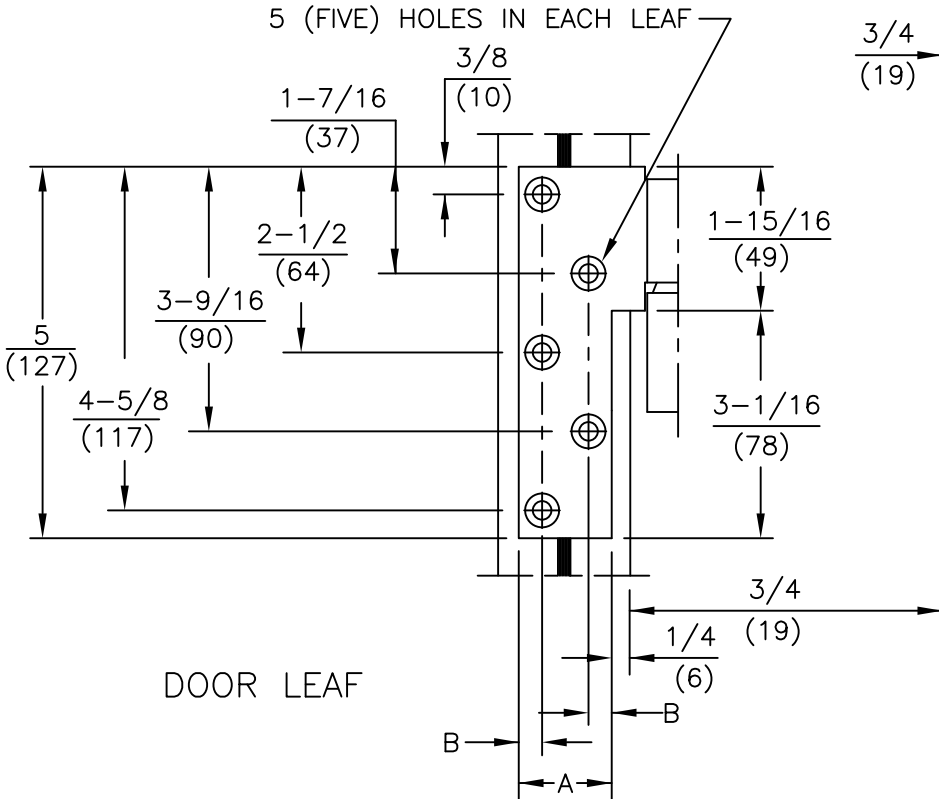
NOTES

1. DO NOT SCALE DRAWING.
 2. DIMENSIONS ARE IN INCHES/(MM).
 3. RIGHT HAND DOOR SHOWN.
 4. BEVEL HEEL EDGE OF DOOR 1/8" IN 2".
 5. ALL NECESSARY REINFORCEMENT FOR PIVOT BY OTHERS.
 6. FOR DOOR THICKNESS NOT LISTED USE NEXT SIZE SMALLER FOR PREPARATION.
 7. TEMPLATE IS BASED ON THE ASSUMPTION THAT LEAD (BY OTHERS) IS PLACED IN CENTER OF DOOR.
 8. FLUSH DOOR AND FRAME PREPARATION SHOWN.
- FOR 1/4-20 MACHINE SCREWS USE No.7 DRILL
 FOR No.14 WOOD SCREWS USE 5/32" DRILL

CLEARANCE $\frac{1}{16}$
 (2)



DOOR THICKNESS	DIM "A"	DIM "B"
1-3/4"	1-1/4	1/4
2"	1-1/2	5/16
2-1/4"	1-3/4	5/16
2-1/2"	2	5/16
3"	2-7/16	5/16



ALL SERIES: 75240, 75242, 75243
 3/4" OFFSET FULL MORTISE
 INTERMEDIATE PIVOT (HANDED)
 FOR LEAD LINED OR EXTRA HEAVY DOORS



dormakaba USA, INC.
 800 523 8483