

High Security Padlock

P4661 CEN 3

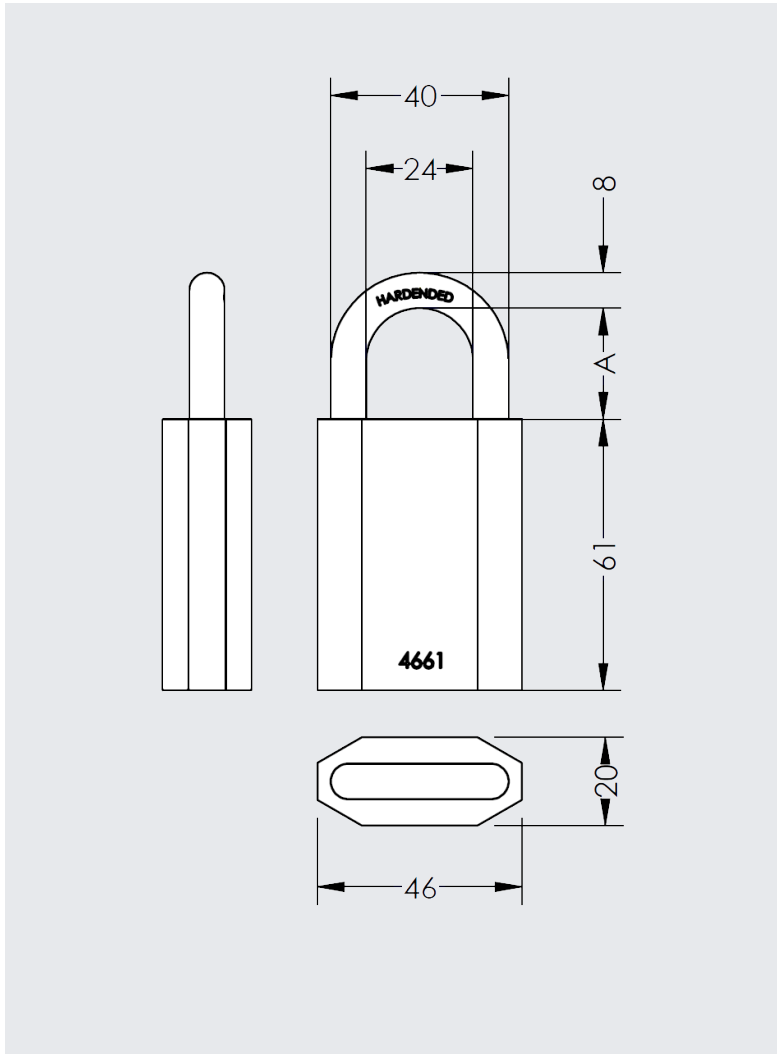


Description:

Suitable for universal indoor and outdoor use. High security applications including remote sites within the utility and infrastructure sectors, security and access control on control panels and enclosures.

Features:

- 46 mm brass bodied padlock with stainless steel shackle.
- Chrome plated
- 8 mm diameter open shackle.
- Spring-loaded, self-locking and manual locking available
- Shackles available with 25mm, 60mm or 110 mm clearance
- EN 12320 Grade: 3 (CEN 3)
- Double-locking hardened stainless steel ball bearing.
- Uses a snowman cylinder
- Padlock Retention chain available



Padlock Information

Dimension A

- 25mm
- 60mm
- 110mm

Available Patented Systems:

- quattro plus (K85)
- expert plus (K83)
- pextraQ (PXQ & PXQA)

Available Legacy Systems:

- quattro Plus (K58)
- expert (K56)
- pextra+ (PXP & PXPA)

PDS-018-03

Any questions? We would be happy to advise you.

Contact us on: **01884 256464**