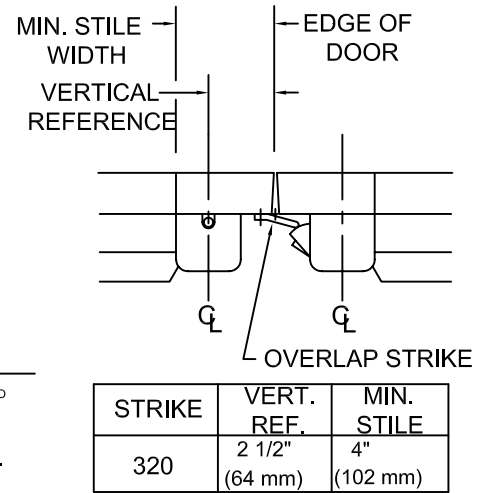
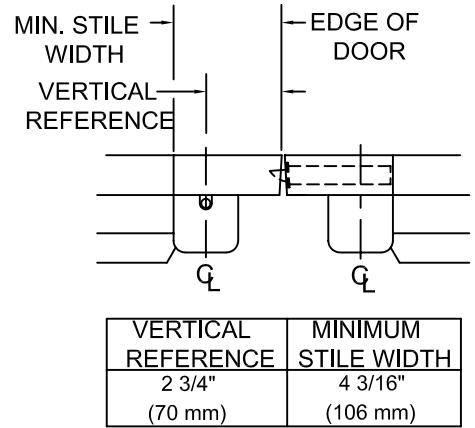
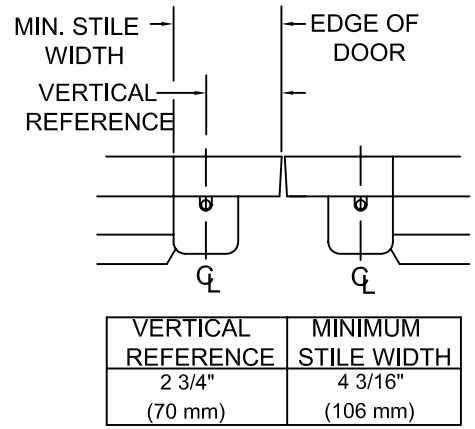
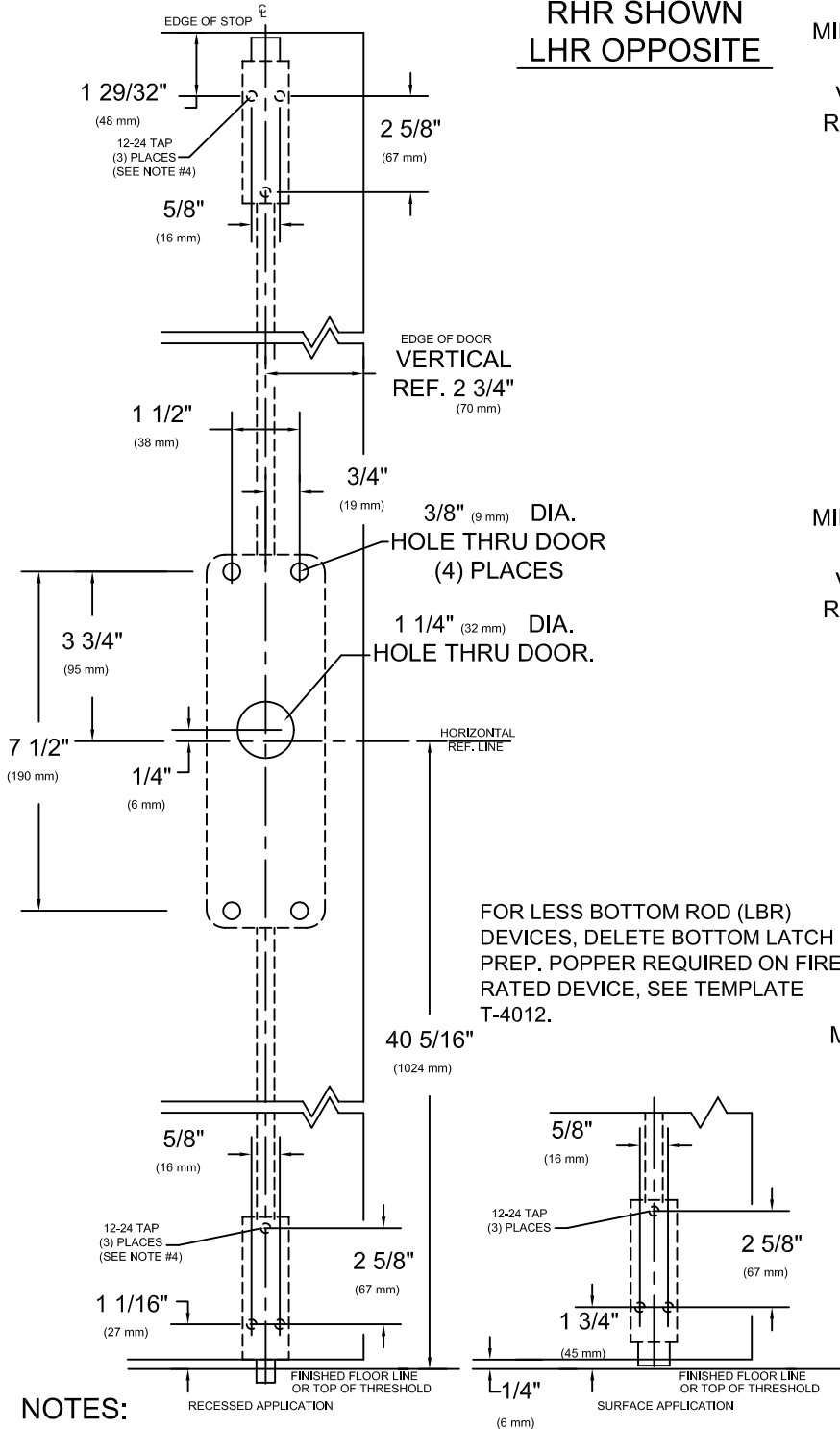



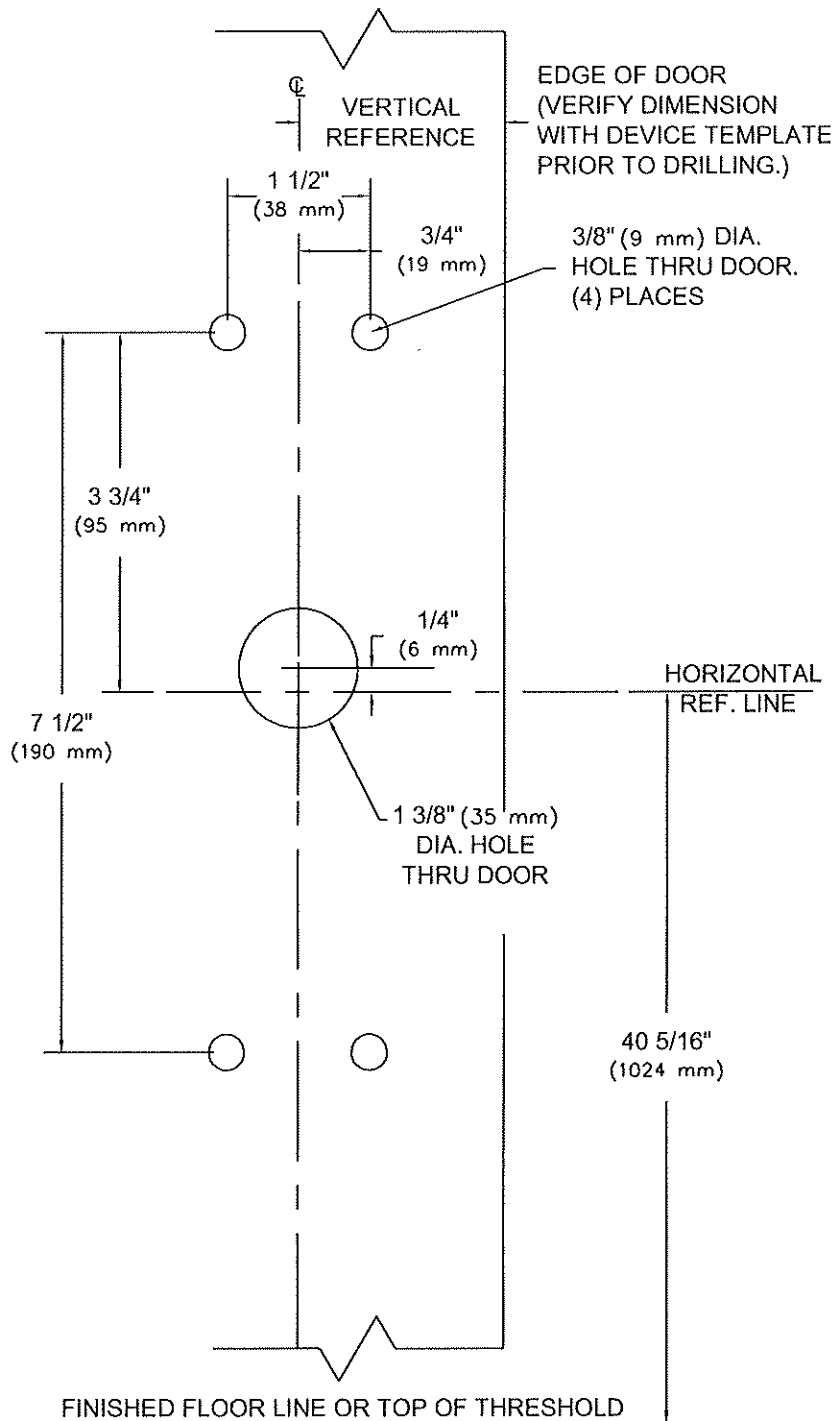
**RHR SHOWN  
LHR OPPOSITE**



- NOTES:**
1. SEE MASTER SHEET #T-0001 FOR SUGGESTED DOOR REINFORCEMENT.
  2. SEE ADDITIONAL TRIM TEMPLATE WHEN REQUIRED.
  3. DEVICE WILL COVER STANDARD SDI CUTOUT.
  4. FOR SEX NUTS USE 3/8" DRILL.

REV. No. 2	REVISION: ADD NOTE	DATE: 10-20-00
	9400 & F9400 x YK03R, YC03R, YT03R, or YR03R VERTICAL ROD EXIT DEVICE	TEMPLATE NUMBER <b>T-9404</b> ②

RHR SHOWN  
LHR OPPOSITE



NOTES:

1. SEE MASTER SHEET #T-0001 FOR SUGGESTED DOOR REINFORCEMENT.
2. SEE ADDITIONAL DEVICE TEMPLATE WHEN REQUIRED.
3. TRIM WILL COVER STANDARD SDI CUTOUT.

REV. No. 5

REVISION: Correct dim.

DATE: 1-31-13



Y003, YK03R, YC03R, YT03R, YR03R, YP03  
TRIM

TEMPLATE NUMBER  
T-9003 ⑤