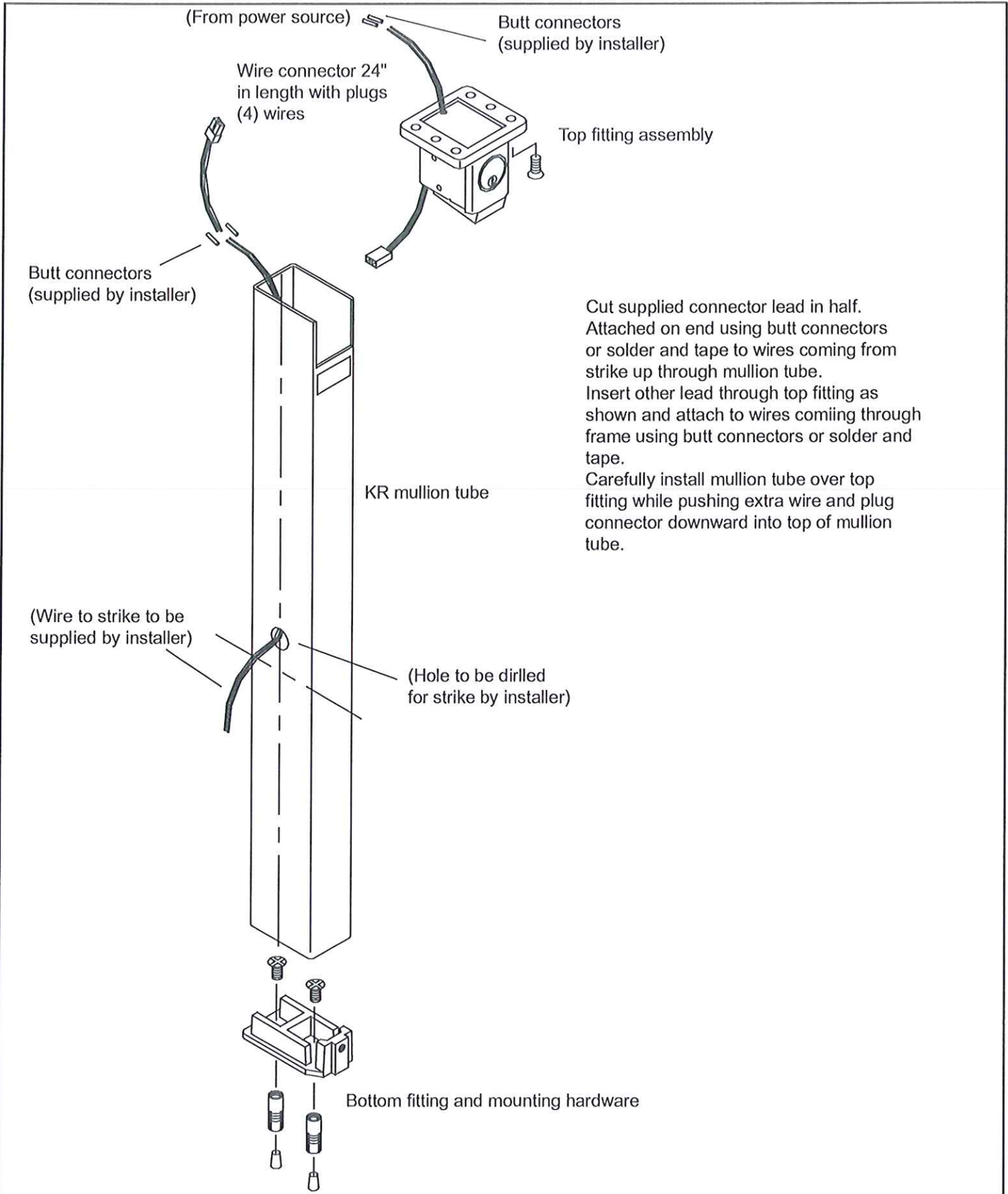




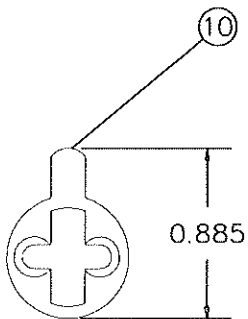
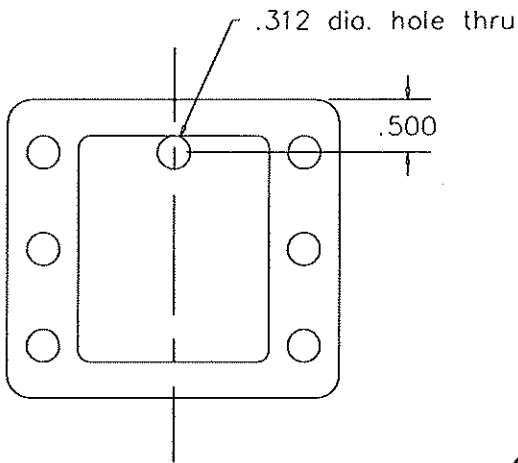
# 1340KR-EL KEY REMOVABLE MULLION-EL



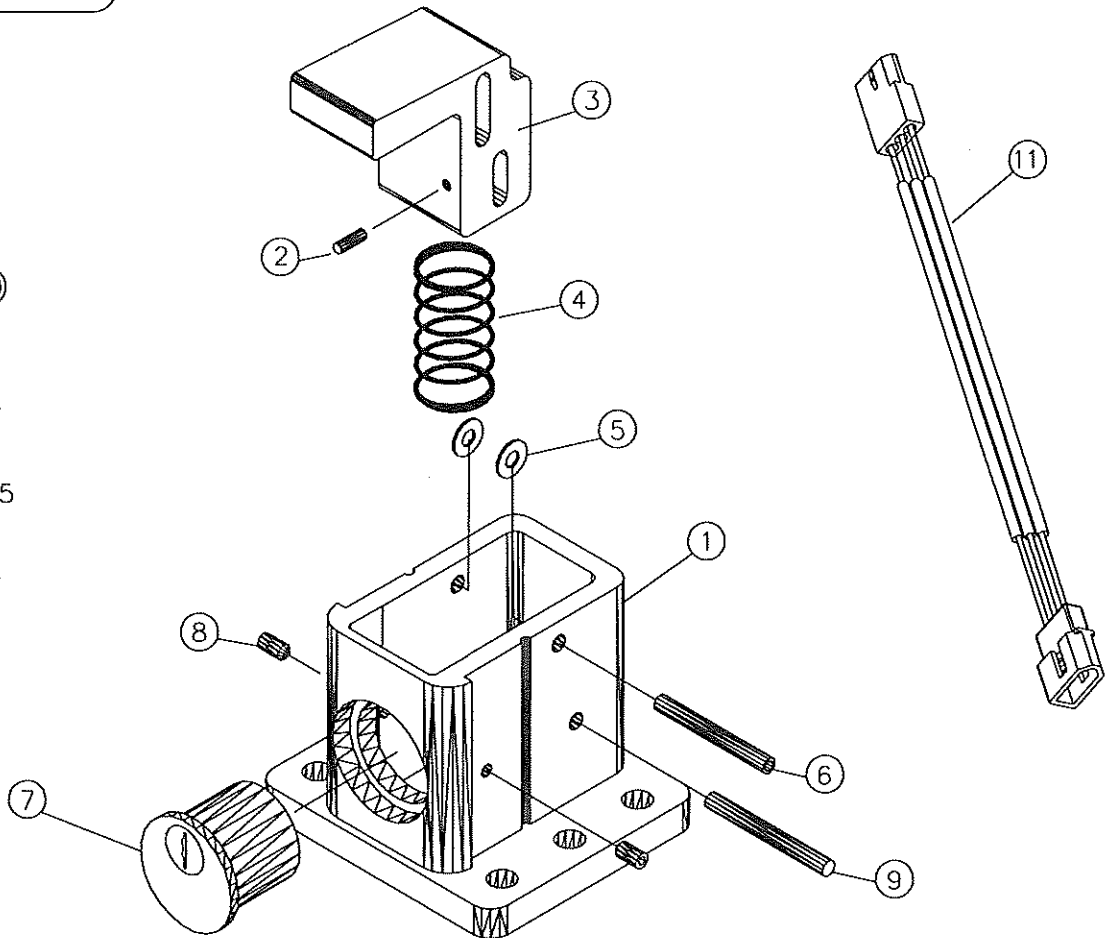
Cut supplied connector lead in half. Attached on end using butt connectors or solder and tape to wires coming from strike up through mullion tube. Insert other lead through top fitting as shown and attach to wires coming through frame using butt connectors or solder and tape. Carefully install mullion tube over top fitting while pushing extra wire and plug connector downward into top of mullion tube.

**BILL OF MATERIAL**

ITEM	DESCRIPTION	PART NUMBER	QTY.
1	FITTING - TOP - KR	1300-030-401	1
2	1/8" x 3/8" Spring Pin	331-114	1
3	LOCK BLOCK	1300-035-401	1
4	SPRING	469-561	1
5	WASHER - NYLON	351-112	2
6	SPRING PIN	331-113	1
7	CYLINDER - MORTISE	76008080	1
8	SET SCREW	457-109	2
9	FUSIBLE PIN-NYLON	1300-037-600	1
10	Cam AR01	76002533	1
11	Cable Assembly	469-555	1



**76002533**  
**#1 Cam**  
**To Mount On**  
**Back Of Cylinder**  
**Scale 1:1**



NOTE: On IC Core use  
 1/4" blocking ring.

DENOTES CRITICAL DIMENSION

DESCRIPTION: KR MULLION FITTING ASSEMBLY-EL

MATERIAL: Make from 1300-036-001

COIL WIDTH:

PROGRESSION:

WEIGHT:

FINISH:

TOLERANCES  
 UNLESS NOTED OTHERWISE  
 DECIMALS .XXX-----±.010  
 DECIMALS .XX-----±.015  
 FRACTIONS-----±1/32  
 ANGLES-----±2'



**DORMA DOOR CONTROLS INC**  
 1003 W. BROADWAY  
 STEELEVILLE, ILLINOIS 62288

Revise cable assy.	1	TA	6-17-13
REVISIONS	NO.	BY	DATE

SCALE: HALF

DRAWN BY: TA

DATE: 3-25-10

CHKD BY: SM

DATE: 6-17-13

DWG. NO.

**1300-036-002**