

# C301 DUMMY LEVERSET

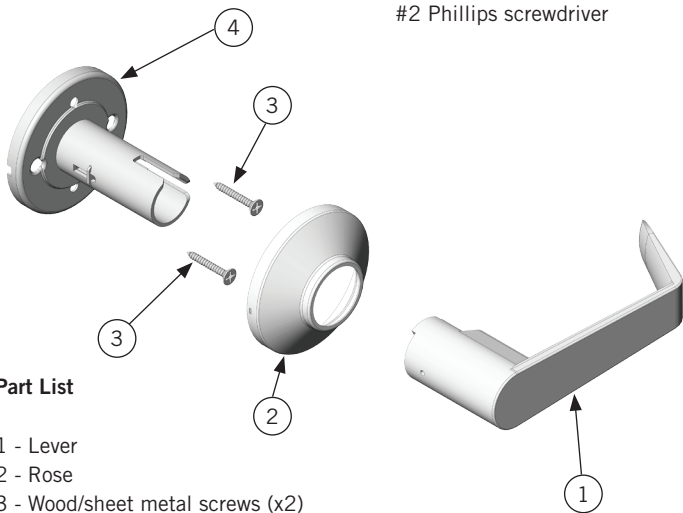


## Installation Instructions

### Overall Exploded View

### Tools required for installation

#2 Phillips screwdriver




### Part List

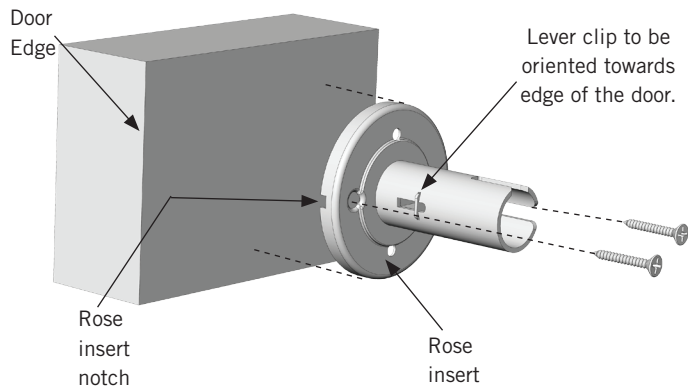
- 1 - Lever
- 2 - Rose
- 3 - Wood/sheet metal screws (x2)
- 4 - Rose insert assembly

### 1. Mount rose insert

Use the included template to properly prepare the door face for the lever assembly.

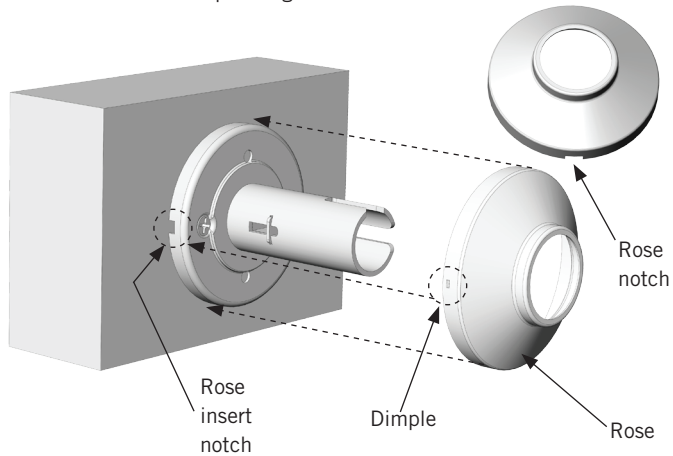
 Orient the rose insert such that open notches are on the sides of the insert.

1.1 Secure to the door with two wood/sheet metal screws.



## 2. Install rose

- 2.1** Place the rose onto the rose insert oriented such that the dimples line up with the insert notches, and the notch is towards the bottom of the rose. (See figure)
- 2.2** Push the rose into place against the face of the door.



## 3. Install lever

- 3.1** Push the lever onto the spindle until it clicks into place.

