

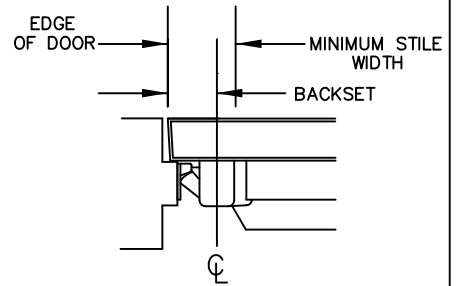
**NOTES:**

1. Pairs of Doors using Mullions may not be prepped with ANAI 161.1 Door Prep.

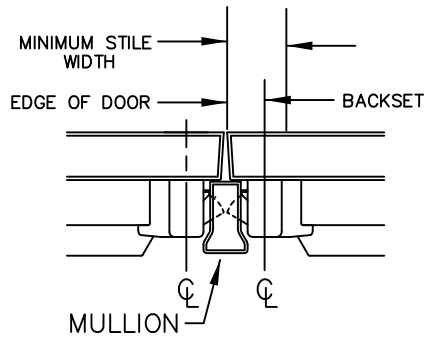
NOT TO SCALE

**NOTES:**

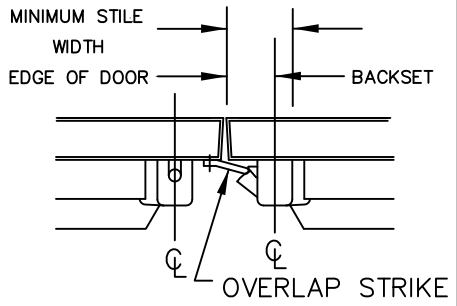
1. SEE MASTER SHEET #T-0001 FOR SUGGESTED DOOR REINFORCEMENT.
2. SEE ADDITIONAL TRIM TEMPLATE WHEN REQUIRED.




STOP	STRIKE	BACKSET	MINIMUM STILE
5/8" (16 mm) STOP	443	1 1/2" (38 mm)	4 1/16" (103 mm)
	430	2" (51 mm)	4 7/16" (113 mm)
	486, 463	2 1/8" (54 mm)	4 5/8" (117 mm)

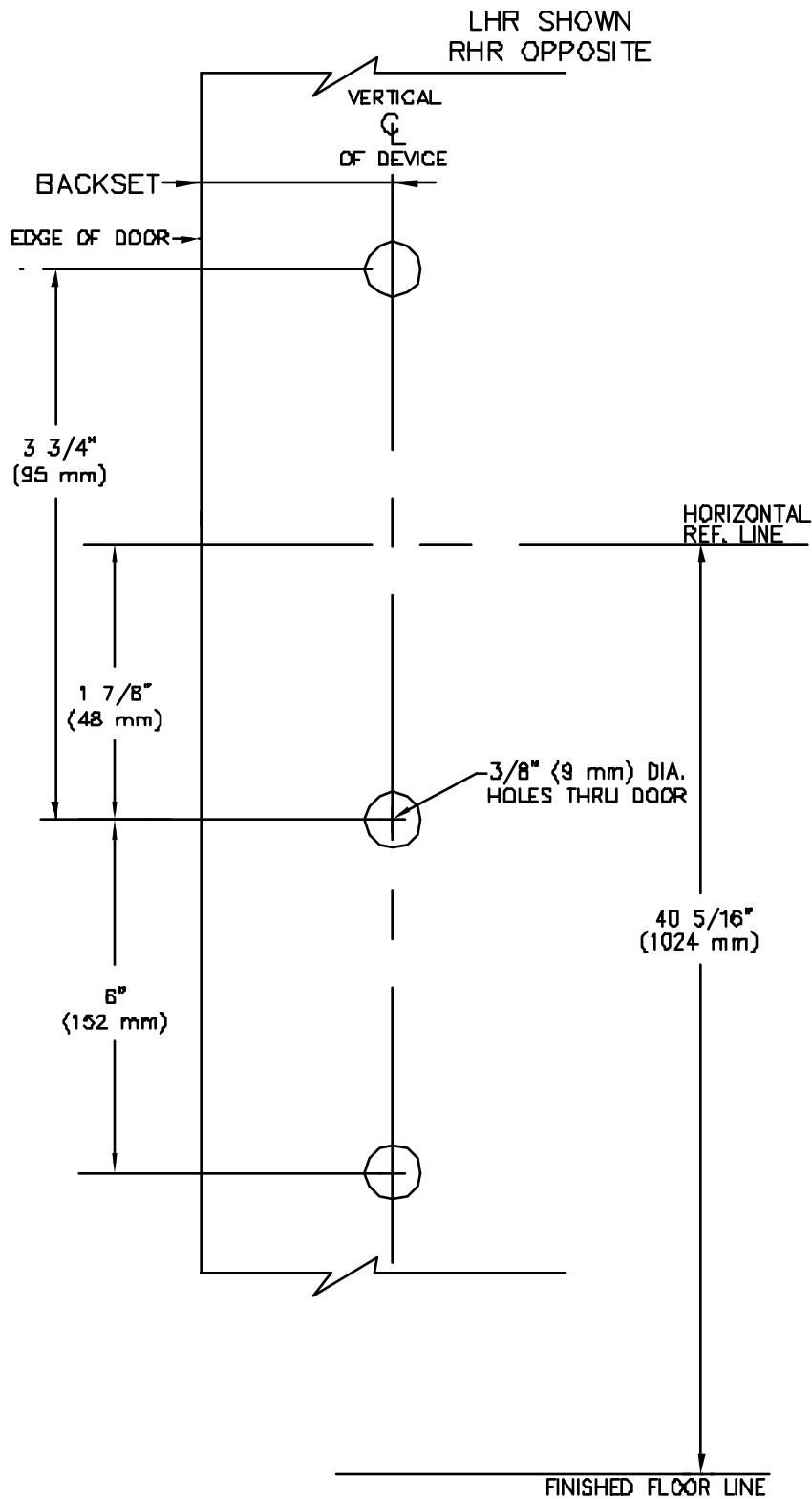


MULLION	STRIKE	BACKSET	MINIMUM STILE
1310	443	1 1/2" (38 mm)	4" (102 mm)
	430	N/A	N/A
	486, 463	2 1/8" (54 mm)	4 9/16" (116 mm)
1330	430	2 1/4" (56 mm)	4 5/8" (117 mm)
	486, 463	2 7/16" (62 mm)	4 3/4" (121 mm)
F1300	430	2 1/2" (63 mm)	4 13/16" (122 mm)
1340KR	486, 463	2 11/16" (68 mm)	5" (127 mm)
F1340KR			



STRIKE	BACKSET	MINIMUM STILE
319/320	1 5/8" (41 mm)	4 1/16" (103 mm)

REV. No. 4	REVISION: ANSI 161.1 DOOR PREP NOTE	DATE: 1-29-2014
	8300 & F8300 x 80DTP 8300 & F8300 x 8003P RIM TYPE EXIT DEVICE	TEMPLATE NUMBER T-1024 ④



NOT TO SCALE

NOTES:

1. SEE MASTER SHEET #T-0001 FOR SUGGESTED DOOR REINFORCEMENT.

REV. No. 1	REVISION: ADD NEW BORDER	DATE: 4-25-00
------------	--------------------------	---------------



80DTP TRIM

TEMPLATE NUMBER

T-2064①