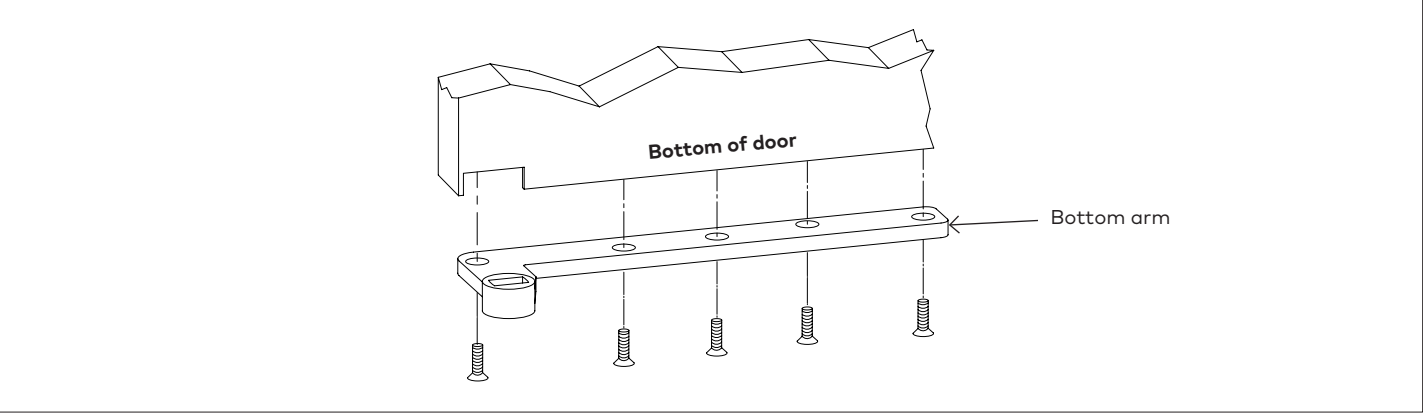


Installation Instructions

15323HD 1-1/2" Offset Bottom Arm (HD)

1.1 Install pivot

Fig. 1



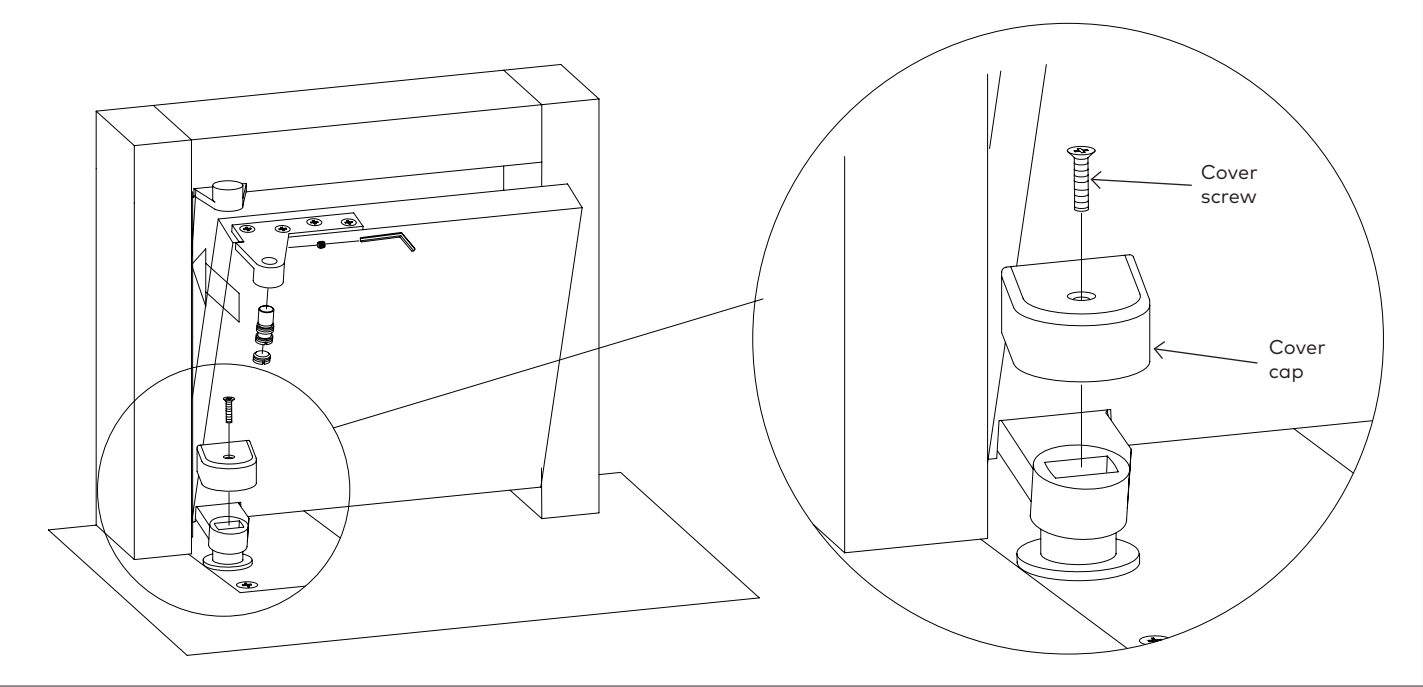
1.1.1 Prepare door and frame according to template.

1.1.2 Install bottom arm.

1.1.3 Fasten arm to door.

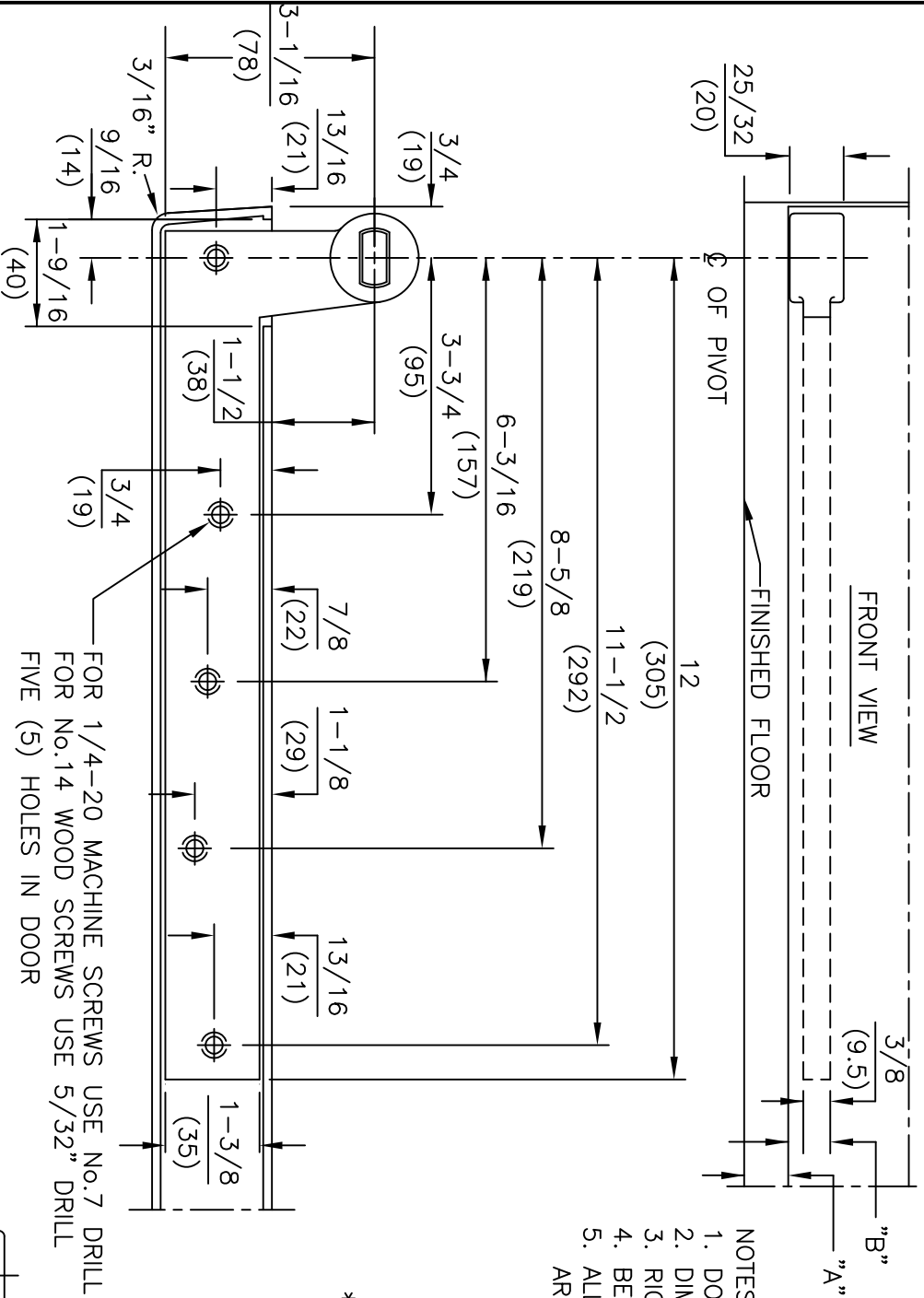
1.2 Install door

Fig. 2



1.2.1 Install door.

1.2.2 Attach cover cap with screw provided.



FRONT VIEW

FINISHED FLOOR

D OF PIVOT

A

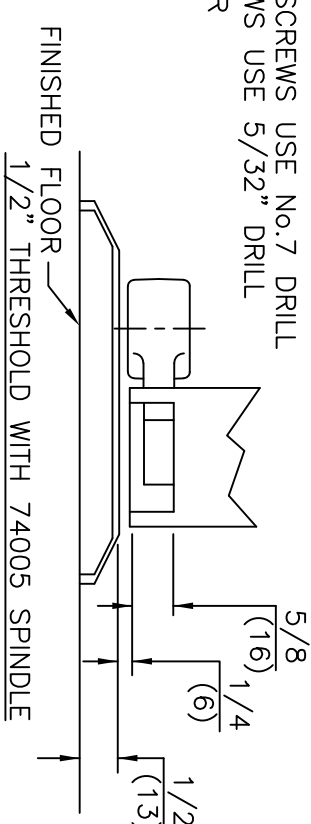
B

FOR 1/4-20 MACHINE SCREWS USE No.7 DRILL

FOR No.14 WOOD SCREWS USE 5/32" DRILL

FIVE (5) HOLES IN DOOR

BOTTOM VIEW



FINISHED FLOOR

1/2" THRESHOLD WITH 74005 SPINDLE

- NOTES
1. DO NOT SCALE DRAWING.
 2. DIMENSIONS ARE IN INCHES/(MM).
 3. RIGHT HAND DOOR SHOWN.
 4. BEVEL HEEL EDGE OF DOOR 1/8" IN 2".
 5. ALL NECESSARY REINFORCEMENT FOR ARM BY OTHERS.

SPINDLE EXT.	"A" CLEARANCE	"B" MORTISE DEPTH
74003	3/8"	3/4"
74003	9/16"	9/16"
STD.74005	3/4"	9/16"
74007	7/8"	9/16"
74010	1"	9/16"
74012	1-1/16"	9/16"
74015	1-1/8"	9/16"
74020	1-3/8"	9/16"
74025	1-9/16"	9/16"
74030	1-3/4"	9/16"

ITEM No. 15323
 1-1/2" OFFSET BOTTOM ARM
 FOR NON-FIRE OR 3 HR. RATED DOORS
 FOR USE WITH 7471HD FLOOR BEARING

