

Moving Details.

# TECHNICAL BROCHURE

## Manual Sliding Door Systems

Issue 2022

**dg** DORMA  
GLAS®

### **IMPORTANT NOTICE:**

DORMA-Glas GmbH is part of the Aliante group, a global industrial group with presences in Europe, Middle East and North America and is therefore not part of the dormakaba group since 31 October 2021. dormakaba has agreed to permit employees of DORMA-Glas GmbH use of their dormakaba email addresses and referring to DORMA-Glas GmbH's product offering on the dormakaba website for a short period of time solely for the purpose of uninterrupted business conduct. DORMA-Glas GmbH can no longer make legally binding declarations for the dormakaba Group, but only for DORMA-Glas GmbH.



### **Our Sustainability Commitment**

We are committed to foster a sustainable development along our entire value chain in line with our economic, environmental and social responsibilities toward current and future generations.

Sustainability at product level is an important, future-oriented approach in the field of construction. In order to give quantified disclosures of a product's environmental impacts through its entire life cycle, dormakaba provides Environmental Product Declarations (EPDs), in which the results of the life cycle assessment (LCA) are presented.



# Content



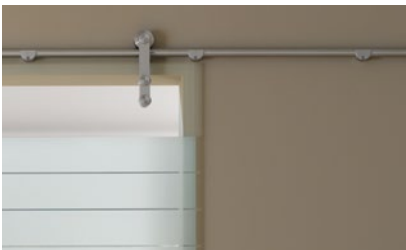
**06** **MUTO**  
Manual sliding door system with track system integrated functional elements



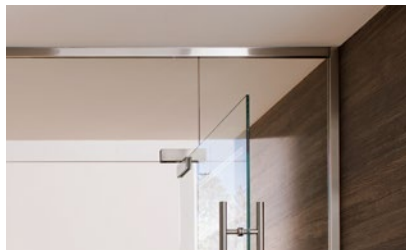
**134** **RS 120**  
Manual sliding door system with clamp fittings and cover profile



**144** **MANET**  
Single-point fitting system, stainless steel, for manual sliding doors



**154** **MANET**  
Sliding Door Systems, accessories and connection systems



**170** **Wall connection profile**  
Bearing wall connecting profile system



**176** **Accessories**



**190** **Safety-related information**

# Design your rooms the way you want them

Whether for living or office areas, wherever elegant transitions from one room to another need to be provided, toughened glass assemblies offer the architectural elegance of open, transparent, inviting access.

Sliding doors also add a certain lightness and a more generous appearance to small rooms. Easy-to-install solutions mean that your space-defining idea in glass can be readily made reality.

## MUTO

The manual sliding door system for timber panels. Compact, flexible and with a wide range of options. Simple installation and adjustability from the front. Convenience "Comfort"

Applications and features	MUTO M 60	MUTO L 80	MUTO Premium XL 80/150
Suspended sliding door	●	●	●
Integrated / concealed carrier	●	●	●
1 panelled sliding door	●	●	●
2 panelled bi-parting sliding door		●	●
Integrated locking device		●	●
Status indicator		●	●
Suspended ceilings		●	●
Self-Closing			
Synchro version		●	●
Telescopic function (panel moves in sync)			
End-position engage cushioning	●	●	●
Installation at wall	●	●	●
Installation at wall; version with large glass-to-wall clearance for bridging existing frames + direct track fixing to wall	●	●	●
Installation at ceiling	●	●	●
Fixed at glass		●	●
Mounting in ceiling slot		●	
Mounting in wall pocket		●	
Safe use of laminated safety glass elements	●	●	●
System integration of fixed side panels	●	●	●
Timber sliding door possible	●	●	●
Curved systems			
Panel attachment with no glass preparation <sup>1)</sup>	●	●	●
Max. sliding panel weight	60 kg	80 kg	80 / 150 kg
Min. sliding panel width (mm)	600 <sup>3) 5)</sup>	660 <sup>3)</sup>	660 <sup>3)</sup>
Max. sliding panel width (mm)	1,300	2,000 <sup>6)</sup>	2,500 <sup>6)</sup>
Max. sliding panel height (mm)	2,500	3,000	3,000
Glass thicknesses (mm) sliding panel	8 – 12	8 – 13.5	8 – 13.5
Glass type	TSG / LSG <sup>4)</sup>	TSG / LSG <sup>4)</sup>	TSG / LSG <sup>4)</sup>
Wood thickness (mm) sliding panel	28 – 50	28 – 50	28 – 50
Glass thicknesses (mm) integrated sidelights	8 – 13.5	8 – 13.5	8 – 13.5
<b>Page</b>	<b>22</b>	<b>32</b>	<b>68</b>

1) Glass machining only necessary for individual thumbturn or other handle types.

2) 120 kg for glass or timber panels with two carriers. 150 kg for glass panels with three carriers.

3) To ensure optimal operation, we recommend an aspect ratio of 1:2 or 1:3

4) LSG (consisting of 2 x TSG) with accessory set LSG

5) After consultation: without DORMOTION min. 400 mm possible, with DORMOTION min. 550 mm possible

options such automatic closing function and integrated battery-operated lock eliminating the need for an external power supply MUTO is also available as telescopic variant.

**RS 120**

Robust clamp-type carriers designed for glass or timber panels up to 120 kg. The visible system surface and finish is achieved on the basis of clip-on cover profiles.

**MANET**

The basic module is the single-point fixing inserted in counter-sunk holes to ensure that it is flushed with the glass surface – just one of its visual highlights.

MUTO Premium Self-Closing 120	MUTO Premium Telescopic 80	RS 120	MANET
●	●	●	●
●	●	●	
●	● (2 panels, move in sync)	●	●
●	● (2x2 panels, move in sync)	●	●
●	●		
●	●		
●	●		
●			
		●	
	●		
●	●		
●	●	●	●
●	●		●
●	●	●	
●	●		●
●	●		●
●	●	●	●
●	●	●	
●	●	●	
120 kg	2 x 80 kg	120 / 150 kg	100 kg / 120 kg*
660 <sup>3)</sup>	600	500 <sup>3)</sup>	500 <sup>3)</sup>
850 <sup>3)</sup>			
1,500 <sup>7)</sup>	from page 110 onwards	1,500 <sup>6)</sup>	1,200 <sup>6)</sup>
3,000	3,000	3,000	2,500
8 – 13.5	8 – 13.5	8, 10, 12	8, 10, 13.5
TSG / LSG <sup>4)</sup>	TSG / LSG <sup>4)</sup>	TSG	TSG / LSG
28 – 50	28 – 50	26 – 38	
8 – 13.5	8 – 13.5		10, 12
<b>88</b>	<b>106</b>	<b>134</b>	<b>144</b>

6) From 1,500 mm glass panel width, we recommend using the MUTO floor profile guide with brushes (Art. No. 36.562) The glass dimensions may differ due to the following factors: type of installation, glass tolerances, general usage considerations. The use of clamp fittings on structured glass surfaces (except for satinised glass) or glasses with large variations in glass thickness is only permitted with the application of a levelling layer.

7) Max. travel 1,450 mm

● Standard  
○ Optional

\*120 kg for drilled track only

# Content

## MUTO

08

### General information

- Features / Benefits
- Laminated safety glass
- Program overview
- Feasible panel width

22

### MUTO Comfort M 60

- Type illustrations
- Fitting modules
- Component parts

32

### MUTO Comfort L 80

- Type illustrations
- Fitting modules
- Component parts



68

### MUTO Premium XL 80/150

- Type illustrations
- Fitting modules
- Component parts

88

### MUTO Premium Self-Closing 120

- Type illustrations
- Fitting modules
- Component parts

106

### MUTO Premium Telescopic 80

- General information
- Type illustrations
- Component parts

176

### Accessories

190

### Safety-related information





**MUTO**

# General information

## MUTO

The systems are based on a thoroughly modular construction principle, enabling them to be adapted to different requirements.

### Weight classes

- 60 kg
- 80 kg
- 150 kg
- Self-Closing, max. 120 kg
- Telescopic, max. 2 x 80 kg

### Activity rate, longevity

- ≥ 50,000 cycles at 60 kg variant
- ≥ 100,000 cycles at 80 kg variant
- ≥ 200,000 cycles at 80/150 kg variant

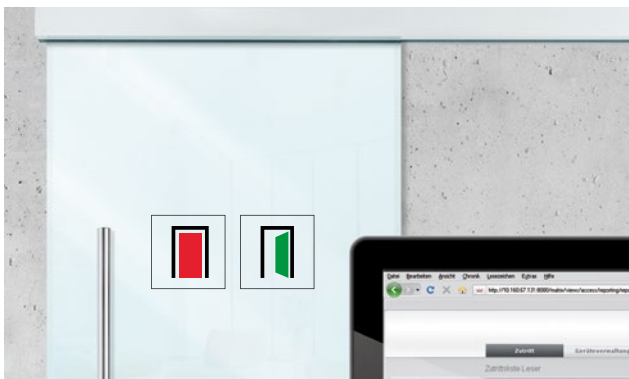
## DORMOTION – the elegant damping mechanism



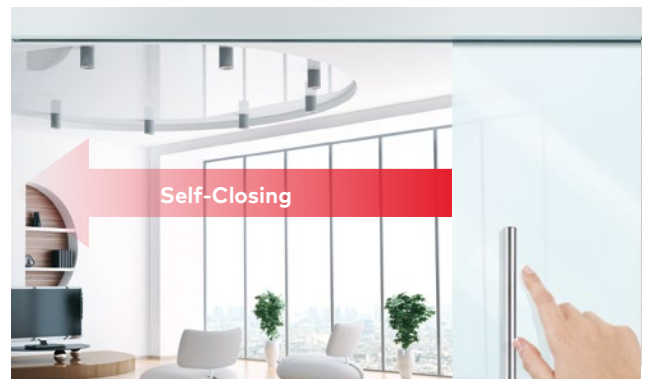
## Integrated electromechanical lock – discretion assured



## Status indicator – everything under control



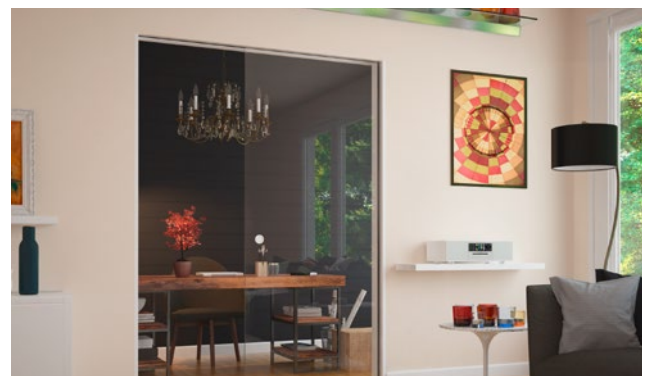
## Self-Closing – hassle-free



## Large openings with small footprint



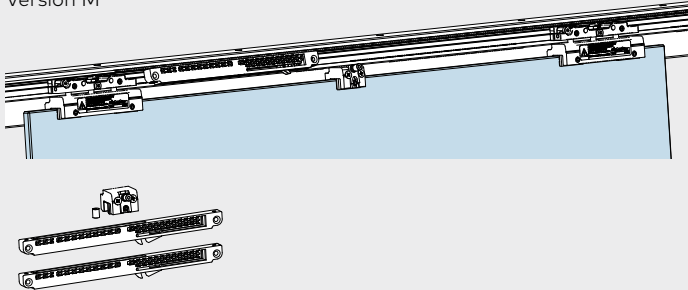
## Wall pocket and / or ceiling slot solution



# Retrofittable and safe

## Product description

Version M

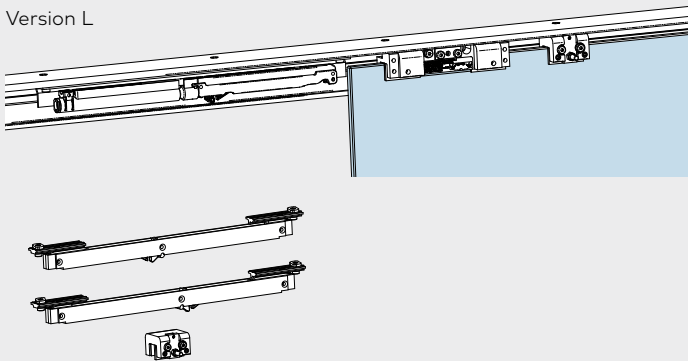


### DORMOTION Comfort M, L, Premium XL (damping mechanism)

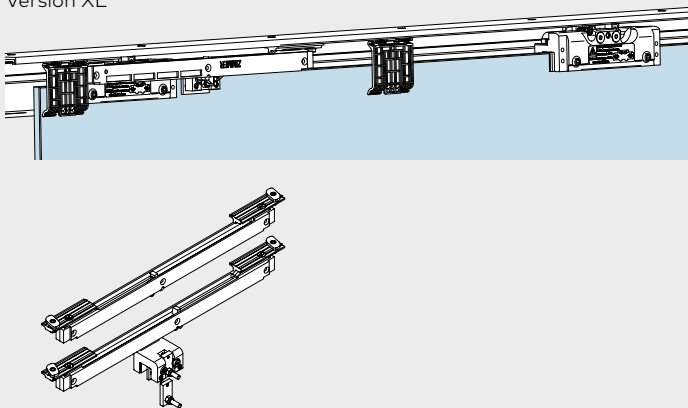
- Retrofittable in existing systems (without the need for disassembly)

When using a DORMOTION damping unit, we recommend installation of a pull handle.

Version L

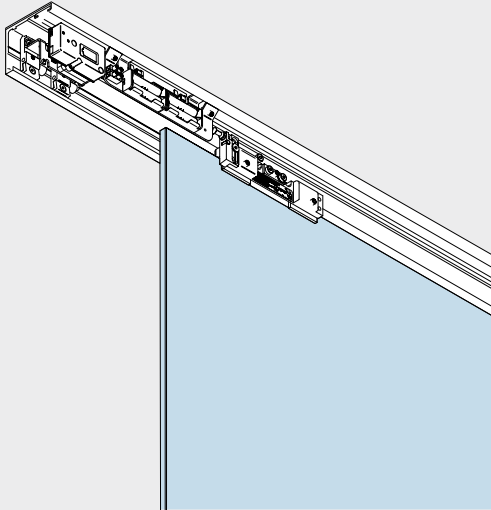


Version XL



### Product description

#### Integrated lock



#### Integrated lock and status indicator

Integrated lock (only in conjunction with the DORMOTION damping mechanism)

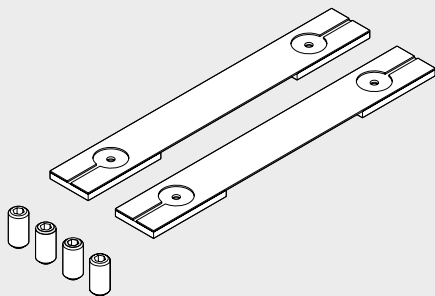
- Retrofittable (ensure compliance with profile dimensions)
- Battery-operated, alternatively also available as transformer version
- Not suitable as a security barrier
- Not suitable for outdoor facilities
- Applies to the following systems:
  - MUTO Comfort L
  - MUTO Premium XL
  - MUTO Premium XL Telescopic
  - MUTO Premium Self-Closing

not illustr.

Status indicator (only in conjunction with the DORMOTION damping mechanism)

- Cable entry required
- Not suitable for outdoor facilities
- Applies to the following systems:
  - MUTO Comfort L
  - MUTO Premium XL
  - MUTO Premium XL Telescopic
  - MUTO Premium Self-Closing

not illustr.



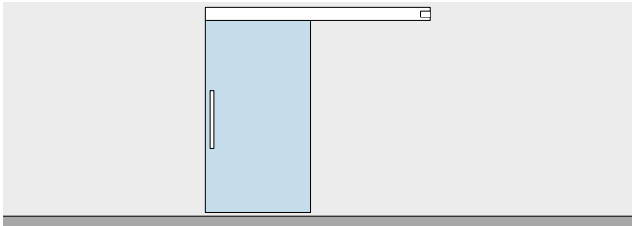
#### Secure hold for laminated safety glass without any mechanical glass preparation thanks to Clamp&Glue technology

- Easy retrofitting of the carriers with LSG accessory set
- No unwanted LSG phenomena:
  - No bubble formation
  - No laminate slippage
  - No glass fracture as a result of excessive clamping forces
  - No negative influence of temperature change (foil disappears)
- Applies to the following systems:
  - MUTO Comfort M
  - MUTO Comfort L
  - MUTO Premium XL
  - MUTO Premium XL Telescopic
  - MUTO Premium Self-Closing

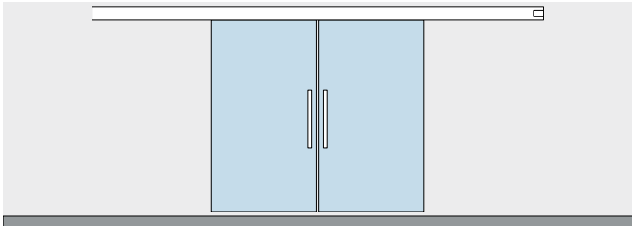


# Installations

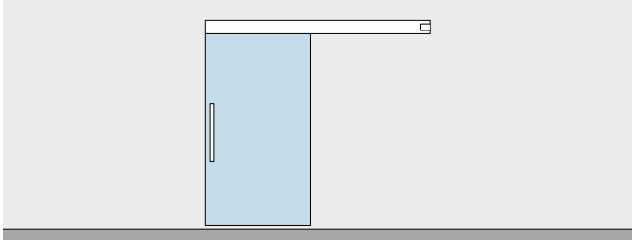
With one sliding panel



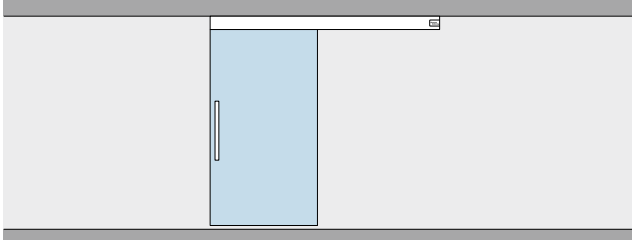
With two sliding panels



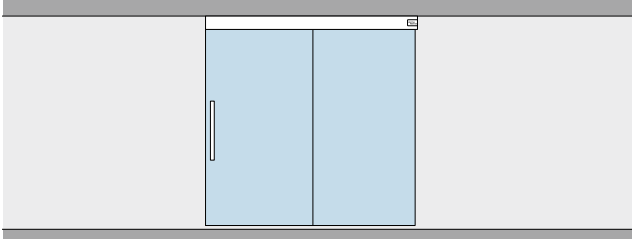
Fixed at wall



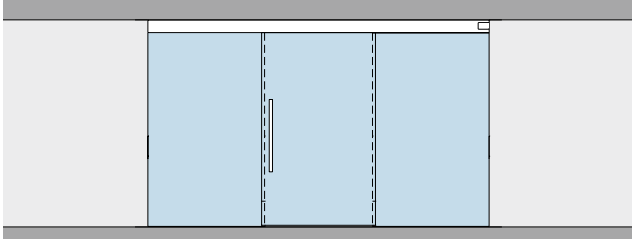
Fixed at ceiling



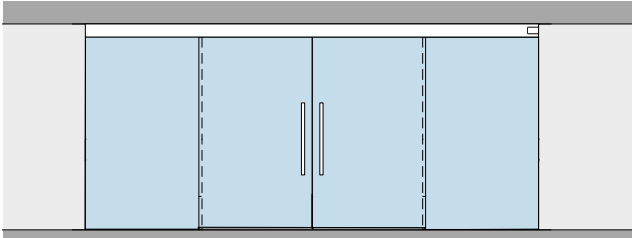
Fixed at transom with sidelight



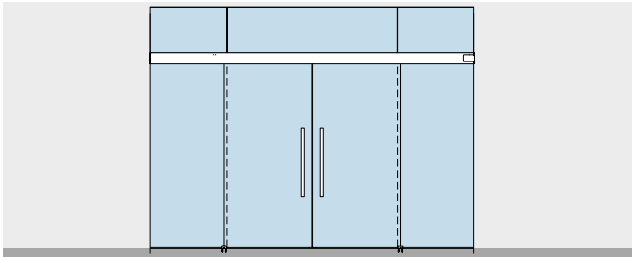
Fixed at transom with sidelight



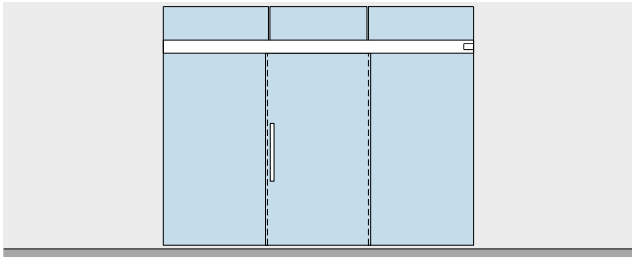
Fixed at ceiling with sidelights



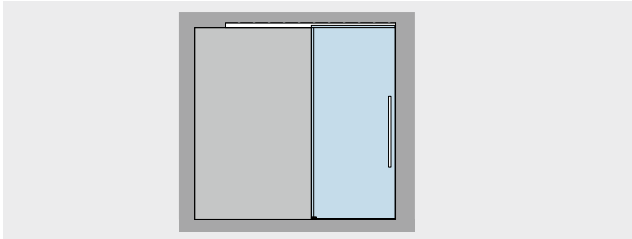
Fixed at glass – with glass fanlight and glass sidelights



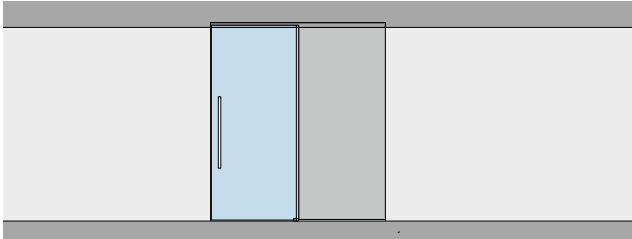
Fixed at glass – with glass fanlight and glass sidelights



Glass in wall pocket\*



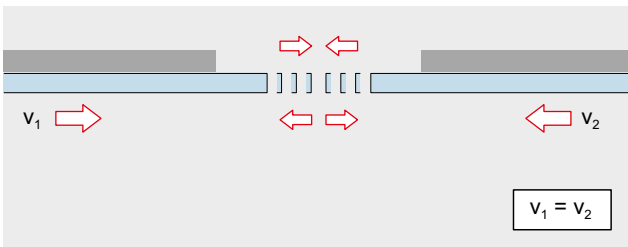
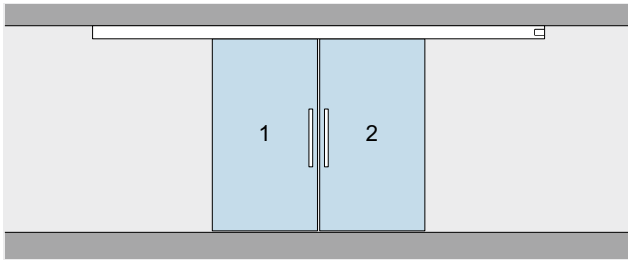
Glass in ceiling slot\*



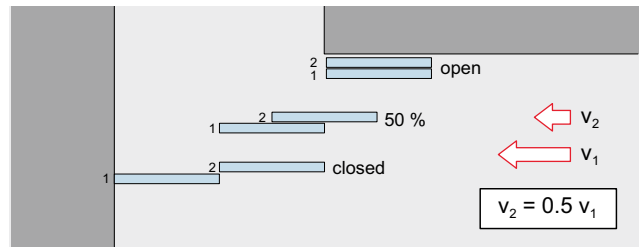
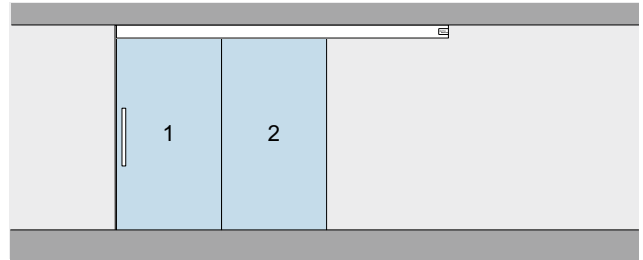
\*Can only be realised with L80. Double-panel version possible.

# Functionalities

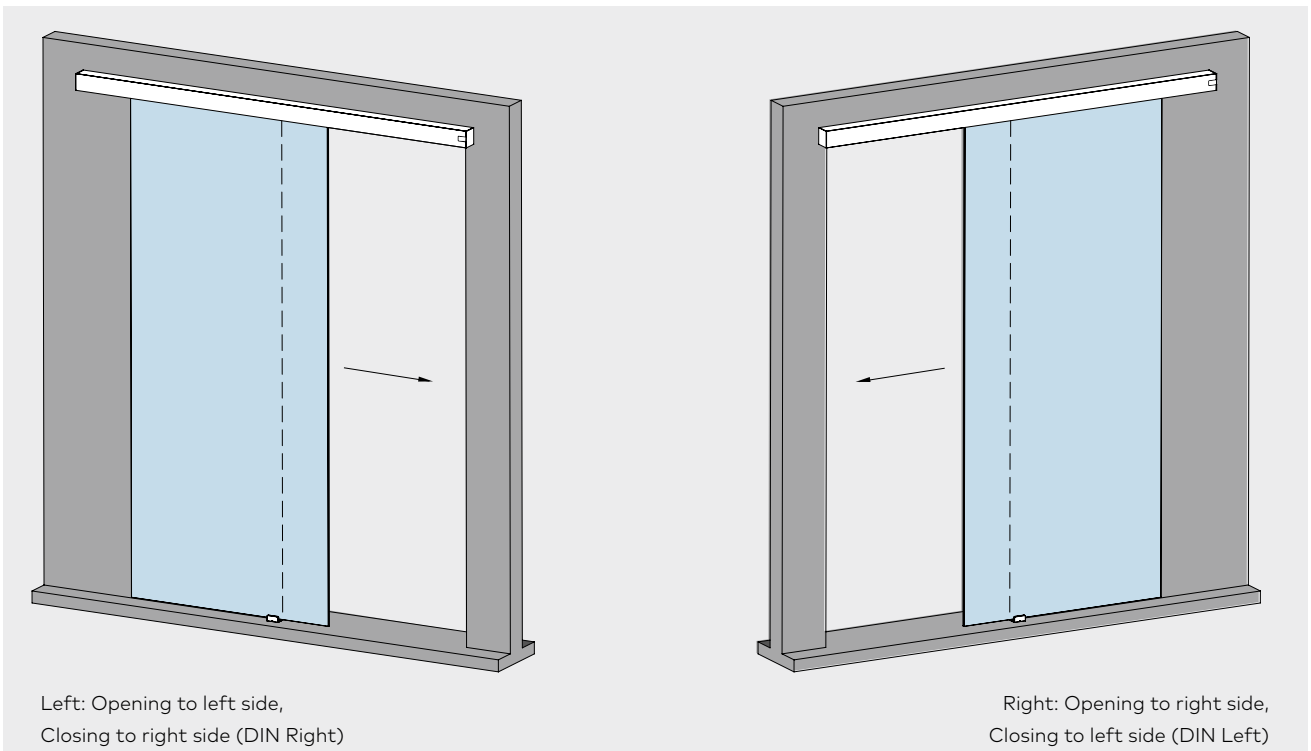
## Synchro



## Telescopic



## Self-Closing/Telescopic



# DIN requirements and test reports

The MUTO fittings are tested by the Prüfinstitut Schlösser und Beschläge (PIV) by the building authority recognised and accredited according to DIN ISO 17025. It is confirmed that the MUTO fittings comply with the corresponding DIN requirements and have thus been classified. We would be pleased to provide you with the test reports of the respective MUTO systems via our sales department as PDF documents.

PIV Prüfinstitut Schlösser und Beschläge Velbert Wallstraße 41 D-42551 Velbert Fon +49(0)2051/9506-5 Fax +49(0)2051/9506-69 info@piv-velbert.de www.piv-velbert.de



## PRÜFZEUGNIS TEST CERTIFICATE

DIN EN 1527:2020-04 Nr./ No. 62-2/20

Der Firma DORMA-Glas GmbH  
We confirm, that the company Max-Planck-Straße 33 D-32107 Bad Salzufe

wird bescheinigt, dass sie am 23. September 2020  
at the date of

PIV Prüfinstitut Schlösser und Beschläge Velbert Wallstraße 41 D-42551 Velbert Fon +49(0)2051/9506-5 Fax +49(0)2051/9506-69 info@piv-velbert.de www.piv-velbert.de



## PRÜFZEUGNIS TEST CERTIFICATE

DIN EN 1527:2020-04 Nr./ No. 62-3/20

Der Firma DORMA-Glas GmbH  
We confirm, that the company Max-Planck-Straße 33-45 D-32107 Bad Salzuffen

wird bescheinigt, dass sie am 23. September 2020  
at the date of

PIV Prüfinstitut Schlösser und Beschläge Velbert Wallstraße 41 D-42551 Velbert Fon +49(0)2051/9506-5 Fax +49(0)2051/9506-69 info@piv-velbert.de www.piv-velbert.de



## PRÜFZEUGNIS TEST CERTIFICATE

DIN EN 1527:2020-04 Nr./ No. 62-1/20

Der Firma DORMA-Glas GmbH  
We confirm, that the company Max-Planck-Straße 33-45 D-32107 Bad Salzuffen

wird bescheinigt, dass sie am 23. September 2020  
at the date of

die Anforderungen der DIN EN 1527 has met the requirements of DIN EN 1527

für das Produkt MUTO Comfort L 80 DORMOTION  
for the product

in der Ausführung Schiebebeschlag/ Sliding hardware  
in the version

entsprechend dem folgenden Klassifikationsschlüssel erfüllt hat:  
that complies with the following classification key

Tür-/ Tor- kategorie Door/ gate category	Tür-/ Tor- masse Door/ gate mass	Größe der verwendeten Prüflügel Size of the test sashes used	Korrosions- beständigkeit Corrosion resistance	Beständigkeit gegen Zuschlagen Resistance to slashing	Beständigkeit bei horizon- taler statischer Beanspruchungs- prüfung Resistance to horizontal static load test	Beständigkeit bei statischer Beanspruchungs- prüfung Resistance during static stress test	Zuverlässiger Höchstwert der Anfangs- reibung- Permissible maximum value of initial friction	Dauer- funktions- fähigkeit Durability test
1	2	2	3	3	3	1	3	6

Diesem Prüfzeugnis liegt der Prüfbericht Nr. 62-1/20 des PIV als Beurteilungsgrundlage zugrunde. Die Gültigkeit des Prüfzeugnisses bleibt so lange erhalten, wie sich die Prüfgrundlage und / oder das geprüfte Produkt nicht ändern.  
Das Prüfzeugnis hat insgesamt 1 Seite.  
This certificate is based on the evaluation of test report no. 62-1/20 by PIV.  
The validity of the test certificate will persist as long as the testing-base and the products are not changed.  
This test certificate has a total of 1 page.

D-42551 Velbert, 30. September 2020

A. Horsthemke (B.Eng.)  
Institutsleiterin/ Director of Institute



S. Holz, Staatl. gepr. Techniker/  
State-certified technical engineer  
Prüfer/ Verifier

Dies ist eine Urkundenseite.  
Teilweise Veröffentlichung oder veränderte Wiedergabe ist untersagt. Missachtung bedeutet Urkundenfälschung.  
This is a document page. Partly publications or changes are forbidden. Disregard means document forgery.

Akkreditierte Prüfstelle nach DIN EN ISO/IEC 17025  
Akkreditierte Zertifizierungsstelle nach DIN EN ISO/IEC 17065  
Prüf-, Überwachungs- und Zertifizierungsstelle nach der EU-BauPVO  
Überwachungs- und Zertifizierungsstelle nach Landesbauordnung (LEO)  
RAL-Prüfstelle für Schlösser und Beschläge - DIN CERTCO anerkannte Prüfstelle

Institutleitung:  
Andrea Horsthemke (B.Eng.)  
Es gelten unsere  
Geschäftsbedingungen



Deutsche  
Akkreditierungsstelle  
D-PL-11024-01-00

PIV Prüfinstitut Schlösser und Beschläge Velbert Wallstraße 41 D-42551 Velbert Fon +49(0)2051/9506-5 Fax +49(0)2051/9506-69 info@piv-velbert.de www.piv-velbert.de



## PRÜFZEUGNIS TEST CERTIFICATE

DIN EN 1527:2020-04 Nr./ No. 62-3/20

Der Firma DORMA-Glas GmbH  
We confirm, that the company Max-Planck-Straße 33-45 D-32107 Bad Salzuffen

wird bescheinigt, dass sie am 23. September 2020  
at the date of

er DIN EN 1527 EN 1527

MUTO Premium XL 80/150 DORMOTION

Schiebebeschlag/ Sliding hardware

genden Klassifikationsschlüssel erfüllt hat:  
classification key

Größe der erwendeten Prüflügel Size of the test sashes used	Korrosions- beständigkeit Corrosion resistance	Beständigkeit gegen Zuschlagen Resistance to slashing	Beständigkeit bei horizon- taler statischer Beanspruchungs- prüfung Resistance to horizontal static load test	Beständigkeit bei statischer Beanspruchungs- prüfung Resistance during static stress test	Zuverlässiger Höchstwert der Anfangs- reibung- Permissible maximum value of initial friction	Dauer- funktions- fähigkeit Durability test
4	3	3	3	1	3	6

er Prüfbericht Nr. 62-3/20 des PIV als Beurteilungsgrundlage zugrunde. gnisses bleibt so lange erhalten, wie sich die Prüfgrundlage und / oder das fern.  
samt 1 Seite.  
suation of test report no. 62-3/20 by PIV.  
will persist as long as the testing-base and the products are not changed.  
1 page.

September 2020



S. Holz, Staatl. gepr. Techniker/  
State-certified technical engineer  
Prüfer/ Verifier

eränderte Wiedergabe ist untersagt. Missachtung bedeutet Urkundenfälschung.  
or changes are forbidden. Disregard means document forgery.

ISO/IEC 17025  
DIN EN ISO/IEC 17065  
ngsstelle nach der EU-BauPVO  
lle nach Landesbauordnung (LEO)  
liger - DIN CERTCO anerkannte Prüfstelle

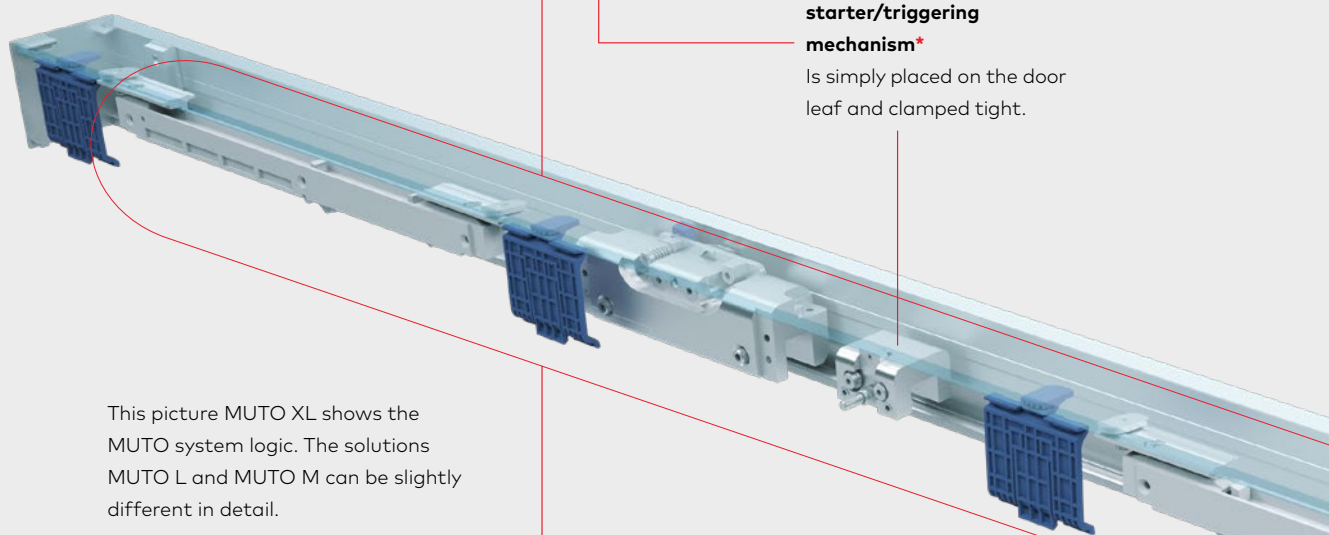
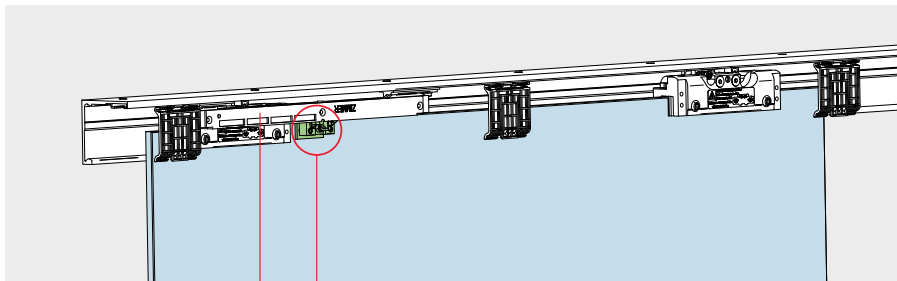
Institutleitung:  
Andrea Horsthemke (B.Eng.)  
Es gelten unsere  
Geschäftsbedingungen



Deutsche  
Akkreditierungsstelle  
D-PL-11024-01-00

# The manual sliding door system offering fast, effortless installation

**MUTO – easy installation and adjustability from the front.**



This picture MUTO XL shows the MUTO system logic. The solutions MUTO L and MUTO M can be slightly different in detail.

**DORMOTION starter/triggering mechanism\***

Is simply placed on the door leaf and clamped tight.

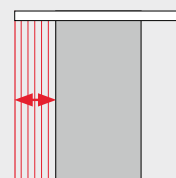
**DORMOTION\***

Is inserted into a separate channel in the track and fixed by means of a fixing screw. The damping unit is retrofittable and can also be installed on existing panels in situ. When using a DORMOTION damping unit, we recommend installation of a pull handle.

**LSG certified.**

**Transparent safety.**

Laminated safety glass can be installed as part of the MUTO system. The certification confirms its high-grade quality.



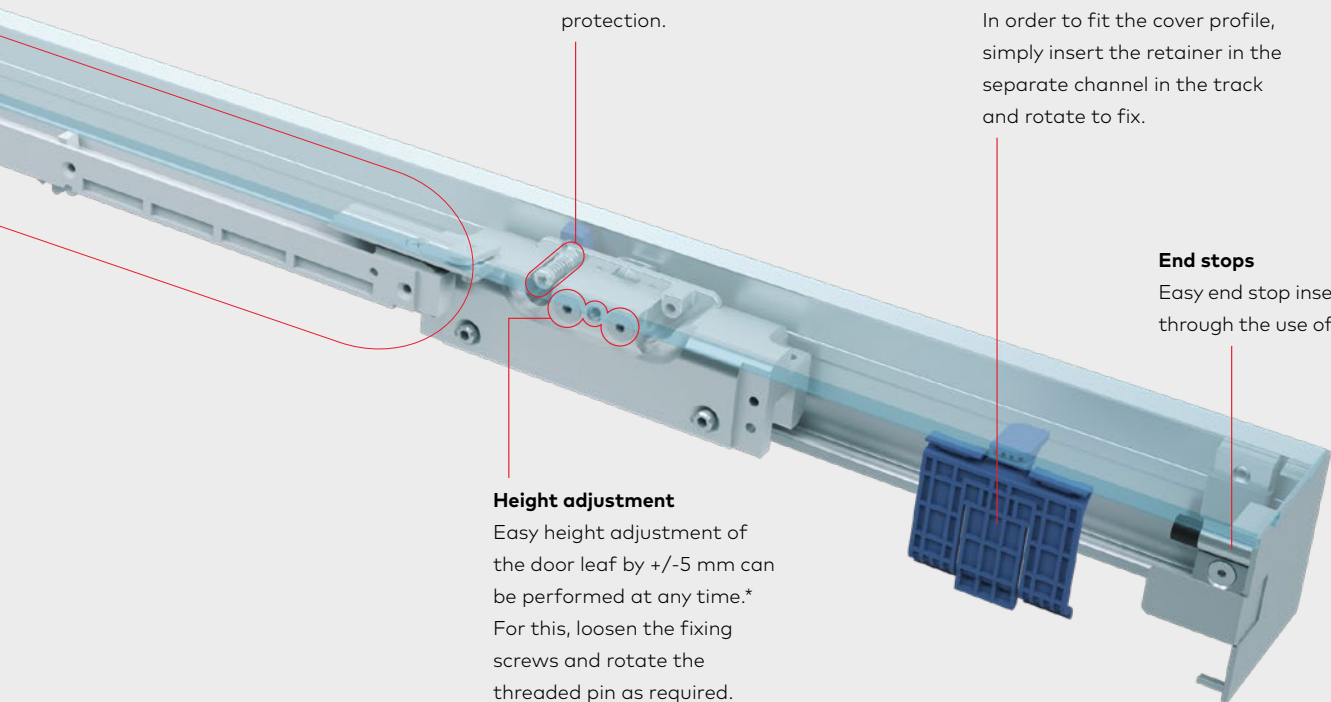


**MUTO – Installation M, L, XL, SC, Telescopic**

**Benefits at a glance**

- All adjustments can be quickly and easily performed from the front
- Certified use of laminated safety glass
- Suitable for glass and timber panels

**\*Note:** The highlighted area on the left does not yet correspond to the current development status. The design and position of the DORMOTION unit have been changed - for even easier installation and adjustment! Please refer to the illustration above or feel free to contact us.



**Anti-jump (anti-thrust) protection**

Easy activation of the anti-jump (anti-thrust) protection.

**Mounting the cover profile (retaining insert)**

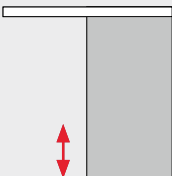
In order to fit the cover profile, simply insert the retainer in the separate channel in the track and rotate to fix.

**End stops**

Easy end stop insertion through the use of clamps.

**Height adjustment**

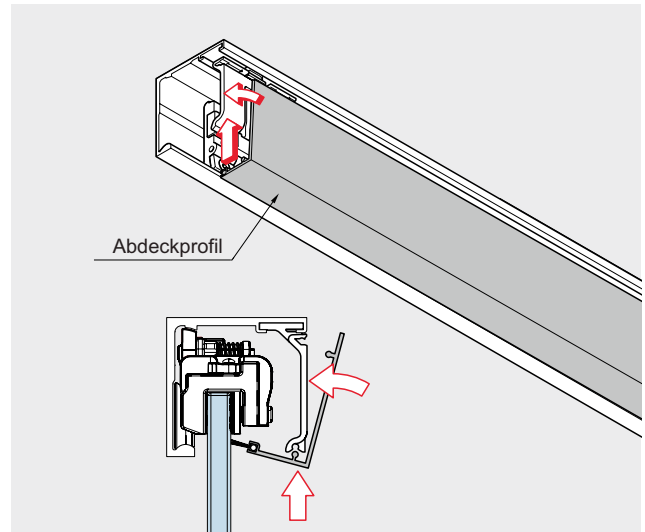
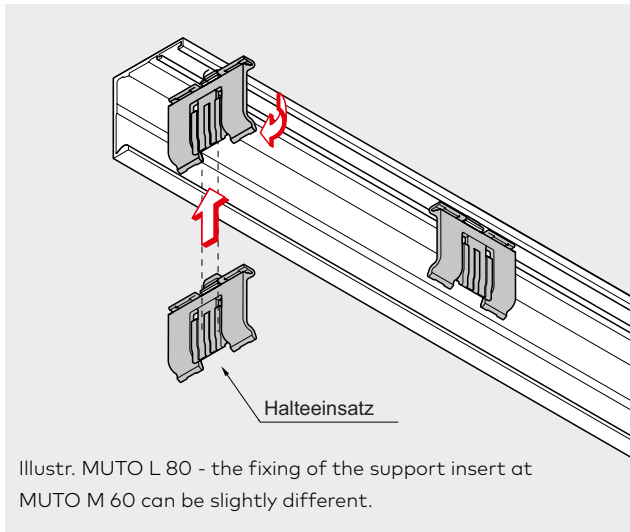
Easy height adjustment of the door leaf by +/-5 mm can be performed at any time.\* For this, loosen the fixing screws and rotate the threaded pin as required.



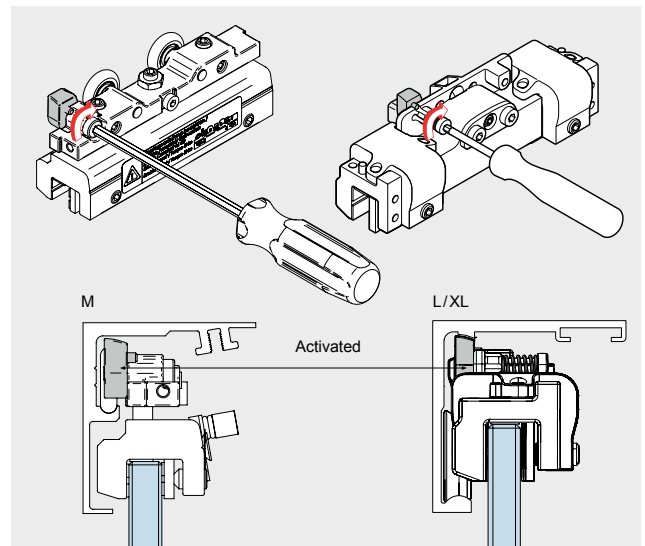
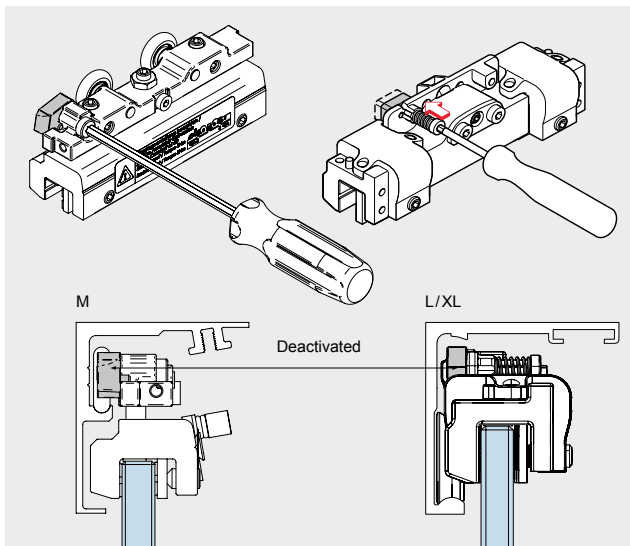
\*Depending on system

# Advantages at installation

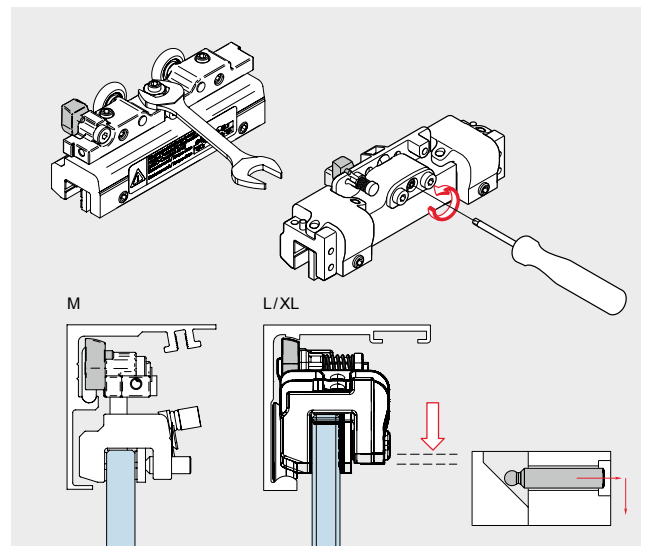
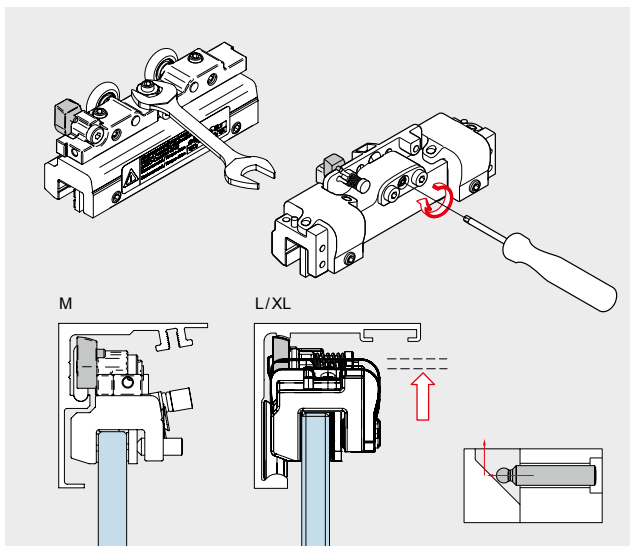
## Cover profile



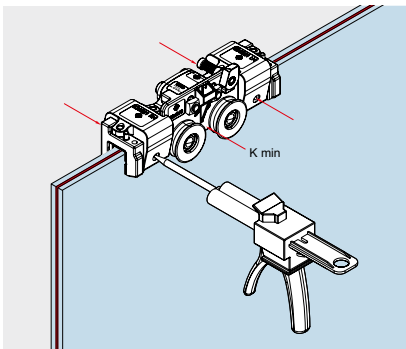
## Anti-jump device – carriers: MUTO Comfort M, L, Premium XL, Self-Closing and Telescopic



## Height adjustment – carriers: MUTO Comfort M, L, Premium XL, Self-Closing and Telescopic



# Clamp&Glue technology



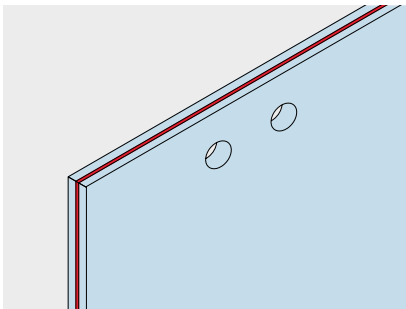
DORMA-GLAS Clamp&Glue technology provides the possibility to keep the advantages and – at the same time – to eliminate the potential issues of laminated safety glass.

The solution for secure hold of the glass panel only needs a minimum of clamping force at the fittings, without any glass preparation.

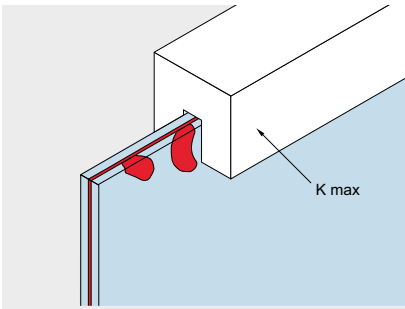
- Carrier sets readily convertible to LSG – make sure you specifically order LSG accessory sets
- High level of safety
- Easy installation
- Improved smoothness of operation
- Integration of sound protection laminate
- Decorative laminates
- Residual load-bearing capacity

## MUTO: the following negative phenomena are eliminated with LSG

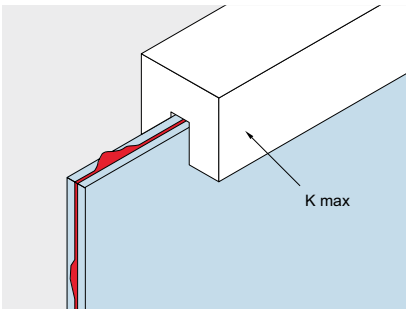
**Glass preparation**



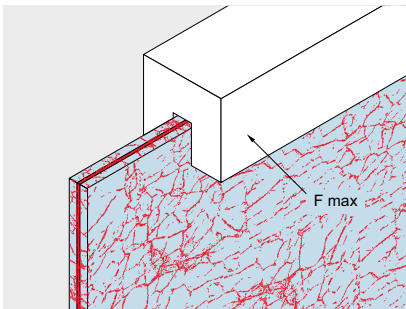
**Blister**



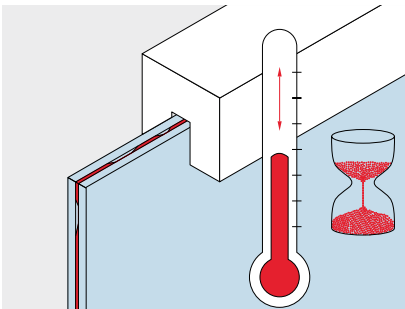
**Extrusion of interlayer**



**Glass crack**



**Shrinkage of interlayer (due to temperature and pressure variation in long-term usage)**


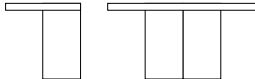



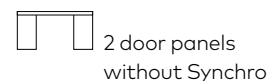
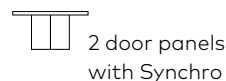
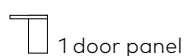
# MUTO

Ideal for glass panels –  
also optional for timber panels

### Much Comfort:

- Self-Closing (self-closing)
- Integrated locking
- DORMOTION (damping mechanism)

	 <b>MUTO Comfort M 60</b>	 <b>MUTO Comfort L 80</b>	 <b>MUTO Premium XL 80</b>
<b>Comfort</b>			
Profile dimensions: Track	W ≤ 55 mm H ≤ 58 mm	W ≤ 71 mm H ≤ 58 mm	W ≤ 72 mm H ≤ 69 mm
Track dimensions: Track incl. Side panel	W = 74 mm	W = 90 mm	W = 91 mm
Track dimensions: Track + Cover profile	W ≤ 55 mm H ≤ 58 mm	W ≤ 71 mm H ≤ 58 mm	W ≤ 72 mm H ≤ 69 mm
<b>Basic description</b>			
Max. gap to wall (glass door)	14 mm	17 mm	20 mm
Max. gap to wall (timber door, thickness ≤ 30mm)	7 mm	7 mm	7 mm
Glass thickness	8 – 12 mm	8 – 13.5 mm	8 – 13.5 mm
Installations	Wall, ceiling	Wall, ceiling, glass	Wall, ceiling, glass
Max. door height	≤ 2,500 mm	≤ 3,000 mm	≤ 3,000 mm
Max. door width	1,300 mm	1,500 mm (max. 2,000 mm)**	1,500 mm (max. 2,500 mm)**
Door height adjustment	+ 4 mm / – 2 mm	+ 5 mm / – 3 mm	+ / – 5 mm
Corrosion EN 1670	Class 2	Class 4	Class 4
Door cycles	≤ 50,000	≥ 100,000	≥ 200,000
DIN EN 1527	●	●	●
Max. door weight/single door	60 kg	80 kg	80 kg
Max. door weight/double door	–	2 x 80 kg	2 x 80 kg
Prepared for timber	●	●	●
Glass type	TSG / LSG*	TSG / LSG*	TSG / LSG*
<b>Functionalities</b>			
Adjustable from the front	●	●	●
DORMOTION	No glass preparation	No glass preparation	No glass preparation
Synchro version	–	○	○
Status indicator	–	○	○
Concealed EM locking	–	○ <sup>2)</sup>	○ <sup>2)</sup>
Self-Closing	–	–	–



● yes – no ○ optional

\* LSG from 2 x TSG (min. 2 x 5 mm).

\*\* For panel widths from 1,500 mm we recommend the use of an underfloor floor guide profile.

The glass dimensions may vary due to the method of fixing and installation, glass tolerances or general usage.  
The use of clamp fittings on structured glass surfaces (with the exception of satinised glass) or glass with large variations in glass thickness is only permitted with the application of a levelling layer.

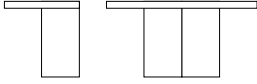
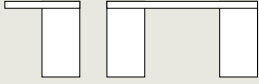
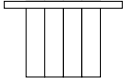
1) Max. travel 1,450 mm

2) In combination with Synchro not possible



### Variants

- Self-Closing
  - Telescopic – wide openings with small panels
  - Synchro – moving both panels of a double door synchronously either toward each other (closing) or from each other (opening) when just one panel is moved by hand.
- Wall, glass and ceiling installations possible
  - For panels  $\leq 60$  kg up to 150 kg

 <b>MUTO Premium XL 150</b>	 <b>MUTO Premium Self-Closing 120</b>	 <b>MUTO Premium Telescopic 80</b>
W $\leq$ 72 mm H $\leq$ 69 mm	W $\leq$ 100 mm H $\leq$ 69 mm	W $\leq$ 124 mm H $\leq$ 69 mm
W = 91 mm	W = 119 mm	W = 146 mm
W $\leq$ 72 mm H $\leq$ 69 mm	W $\leq$ 100 mm H $\leq$ 69 mm	W $\leq$ 127 mm H $\leq$ 69 mm
20 mm	20 mm	17 mm / 52 mm
7 mm	7 mm	7 mm
8 – 13.5 mm	8 – 13.5 mm	8 – 13.5 mm
Wall, ceiling, glass	Wall, ceiling, glass	Wall, ceiling, glass
$\leq$ 3,000 mm	$\leq$ 3,000 mm	$\leq$ 3,000 mm
1,500 mm (max. 2,500 mm)	1,600 mm	see from page 92
+ / - 5 mm	+ / - 5 mm	+ 5 mm / - 3 mm
Class 4	Class 4	Class 4
$\geq$ 200,000	$\geq$ 200,000	$\geq$ 200,000
●	●	●
150 kg	120 kg	2 x 80 kg
2 x 150 kg	2 x 120 kg	4 x 80 kg
●	●	●
TSG / LSG*	TSG / LSG*	TSG / LSG*
●	●	●
No glass preparation	No glass preparation	No glass preparation
-	-	-
○	○	○
○	○	○
-	●	-

 2 door panels, Teleskopik

Further information on MUTO Premium Telescopic 80 can be found in the Compendium.

[www.dorma-glas.com](http://www.dorma-glas.com)

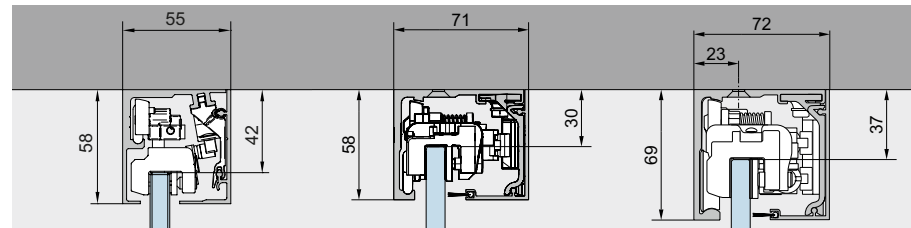
# MUTO

Explanation of product names

**Profile dimensions**  
M = 55 x 58 mm  
**Max. door weight**  
60 kg

**Profile dimensions**  
L = 71 x 58 mm  
**Max. door weight**  
80 kg

**Profile dimensions**  
XL = 72 x 69 mm  
**Max. door weight**  
80 kg



	<b>MUTO M 60</b>	<b>MUTO L 80</b>	<b>MUTO Pocket</b>	<b>MUTO Premium XL 80</b>
DORMOTION	Optional	Optional	Optional	Yes
max. Sliding panel weight	60 kg	80 kg	80 kg	80 kg
Movement cycles	≥ 50,000	≥ 100,000	≥ 100,000	≥ 200,000
Glass thickness sliding panel	8 – 12 mm	8 – 13.5 mm	8 – 13.5 mm	8 – 13.5 mm
Height adjustment	+ 4 mm / - 2 mm	+ 5 mm / - 3 mm	- 3 mm / + 5 mm	+/- 5 mm
Material thickness (Timber)	28 – 50 mm	28 – 50 mm	28 – 40 mm	28 – 50 mm
max. Sliding panel height [GH][TH]	2,500 mm	3,000 mm	3,000 mm	3,000 mm
Mounting type	Wall, ceiling	Wall, ceiling, glass	Wall, ceiling	Wall, ceiling, glass
<b>Single panel</b>				
Clear opening width [LW] min. – max.	540 – 1,240 mm	600 – 1,440 mm	600 – 1,440 mm	600 – 2,440 mm
Panel width [A]	LW + 60 mm	LW + 60 mm	LW + 60 mm	LW + 60 mm
Panel width [A] min. – max. (incl. DORMOTION / with retrofittable lock/status indicator)	600 – 1,300 mm* no lock/ status indicator	660 – 1,500 mm (max. 2,000 mm*)	660 – 1,500 mm	660 <sup>1)</sup> – 1,500 mm (max. 2.500 mm*)
Length of track wall/ceiling	2 x A	2 x A	2xA	2 x A
Length of track [B] at glass	–	2 x A + 67 mm	–	2 x A + 67 mm
<b>Double panel</b>				
Clear width [LW] min. – max.	–	1,266 – 2,446 mm	1,200 – 2,446 mm	1,566 – 2,890 mm
Panel width [A]	–	LW / 2 + 27 mm	LW/2 + 27 mm	LW / 2 + 27 mm
Panel width [A] min. – max.	–	660 – 1,250 mm	627 – 1,250 mm	810 – 1,470 mm
Length of track [B] wall/ceiling	–	4 x A – 44 mm	4 x A + 10 mm	4 x A – 44 mm
Length of track [B] at glass	–	4 x A + 12 mm	–	4 x A + 12 mm

<sup>1)</sup> After consultation of our Application Engineering Department: lower panel dimensions incl. DORMOTION are possible. More under "Tips and Tricks" on page 189

**Profile dimensions**

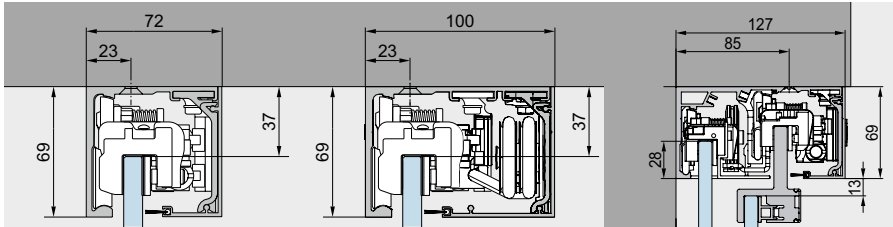
XL = 72 x 69 mm  
**Max. door weight**  
 150 kg

**Profile dimensions**

Self-Closing = 100 x 69 mm  
**Max. door weight**  
 120 kg

**Profile dimensions**

M = 127 x 69  
**Max. door weight**  
 2 x 80 Kg



MUTO Premium XL 150	MUTO Premium Self-Closing 120	MUTO Premium Telescopic 80
Yes	Yes	Optional
150 kg	120 kg	2 x 80 kg
≥ 200,000	≥ 200,000	≥ 200,000
8 – 13.5 mm	8 – 13.5 mm	8 – 13.5 mm
+/- 5 mm	+/- 5 mm	+ 5 mm / - 3 mm
28 – 50 mm	28 – 50 mm	28 – 50 mm
3,000 mm	3,000 mm	3,000 mm
Wall, ceiling, glass	Wall, ceiling, glass	Wall, ceiling, glass
600 – 2,440 mm	790 – 1,440 mm	see page 106
LW + 60 mm	LW + 60 mm	see from page 110 onwards
660 <sup>1)</sup> – 1,500 mm (max. 2,500 mm*)	-	see page 106
2 x A	2 x A	see from page 110 onwards
2 x A + 67 mm	2 x A + 67 mm	see from page 110 onwards
1,986 – 2,890 mm	1,606 – 2,890 mm	see page 110
LW / 2 + 27 mm	LW / 2 + 27 mm	see from page 110 onwards
1,020 – 1,470 mm	830 – 1,470 mm	see page 110
4 x A – 44 mm	4 x A – 44 mm	see from page 112 onwards
4 x A + 12 mm	4 x A + 12 mm	see from page 115 onwards

\* For panel widths of 1,500 mm and more, we recommend the use of an underfloor floor guide profile (Art.-Nr.: 36.561 / 36.562, see page 63). The glass dimensions may vary due to the following features: type of installation, glass tolerances, general use. More under "Tips and Tricks" on page 189

**Art. No.** 8.36. xxx **xxx** .99

AL silver anodized  
(Silver N 600 ST)  
(compatible with  
finish 114) **150**

AL niro anodized  
(Niro N 700) **157**

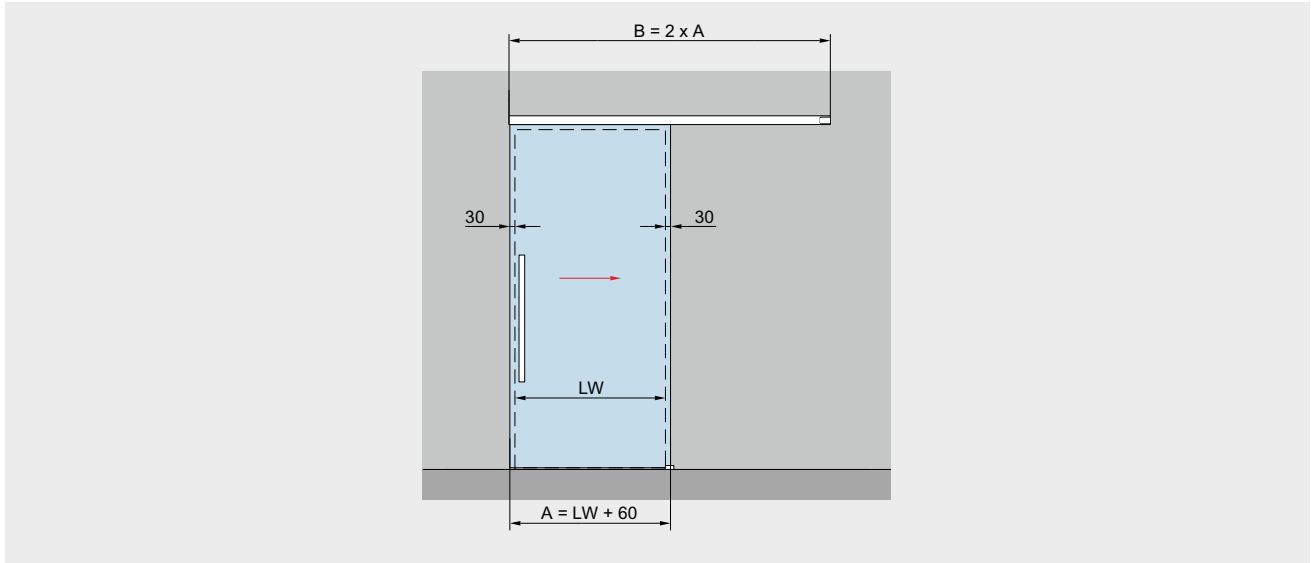
AL white powder  
coated  
(White P 100 SG)  
(sim. RAL 9016) **350**

AL special color  
anodized **199**

AL special color  
powder coated  
(Standard powder  
according to RAL) **399**

AL black powder  
coated  
(Black P 190 SG)  
(sim. RAL 9005) **304**

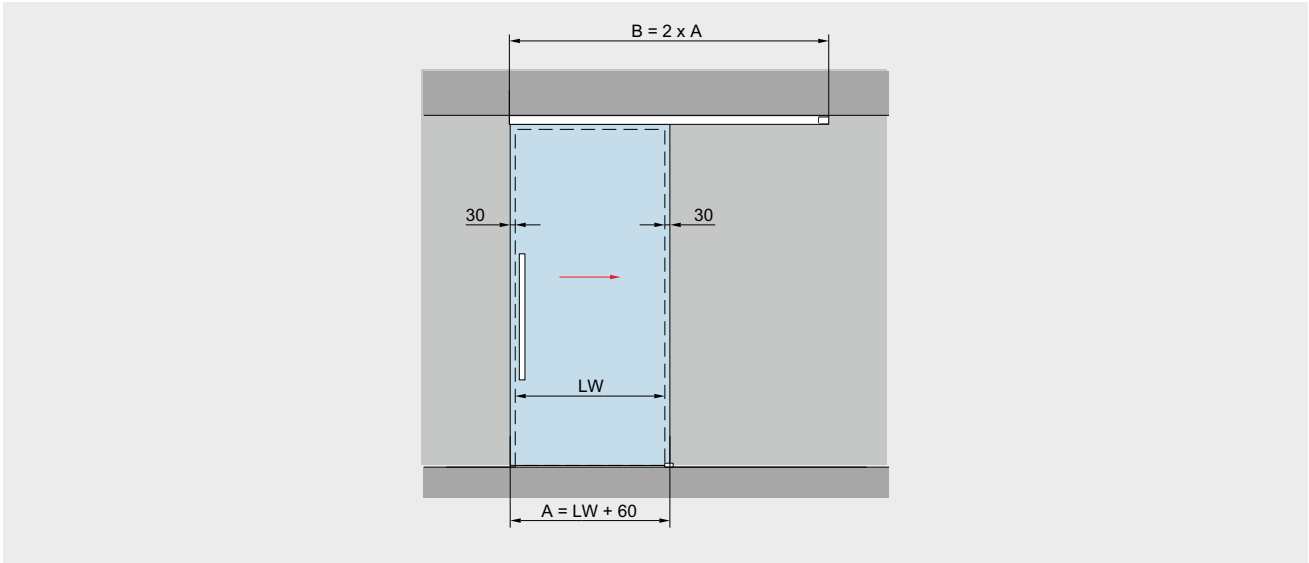
# Type illustrations wall installation



Fixed at wall	Product description	Glass thickness
	<p>For installation with one door panel</p> <p><b>Max. weight of door panels</b> 60 kg</p> <p><b>Calculation of glass height</b>  <math>GH1 = LH + X + 6 \text{ mm}</math>                      max. 2,500 mm</p> <p><b>Calculation of glass width</b>  <math>A = LW + 60 \text{ mm}</math>                      min. 600 mm                      (after consultation: min. 400 mm possible)                      max. 1,300 mm                      min. 600 mm with DORMOTION                      (after consultation: min. 550 mm possible)                      max. 1,300 mm</p>	<p>8 – 12 mm</p>

- A = Glass width
- B = Length of track
- GH1 = Glass height sliding door
- LH = Clear opening height
- LW = Clear opening width
- t1 = Glass thickness sliding door
- Y = 55 mm - (14 mm + t1)
- X = Freely selectable protrusion (depending on structural conditions)

# Type illustrations ceiling installation

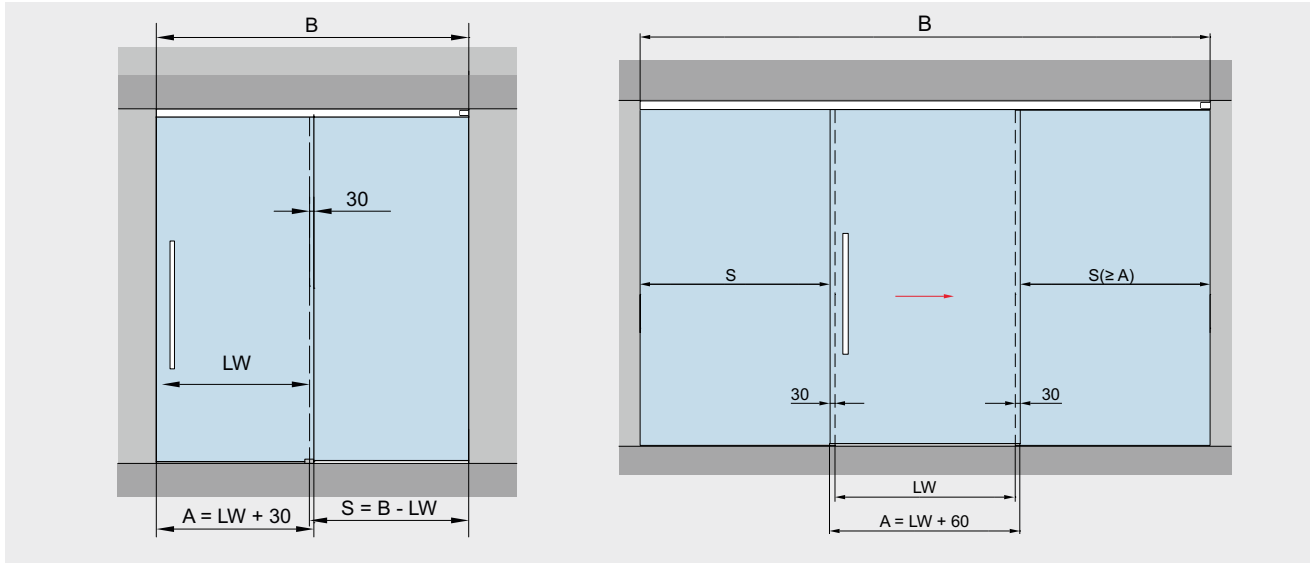


Fixed at ceiling	Product description	Glass thickness
	<p>For installation with one door panel</p> <p><b>Max. weight of door panels</b> 60 kg</p> <p><b>Calculation of glass height</b> GH1 = H - 52 mm max. 2,500 mm</p> <p><b>Calculation of glass width</b> A = LW + 60 mm min. 600 mm (after consultation: min. 400 mm possible) max. 1,300 mm min. 600 mm with DORMOTION (after consultation: min. 550 mm possible) max. 1,300 mm with DORMOTION</p>	<p>8 – 12 mm</p>

- A = Glass width
- B = Length of track
- GH1 = Glass height sliding door
- LH = Clear opening height

- LW = Clear opening width
- t1 = Glass thickness sliding door
- Y = 55 mm - (14 mm + t1)

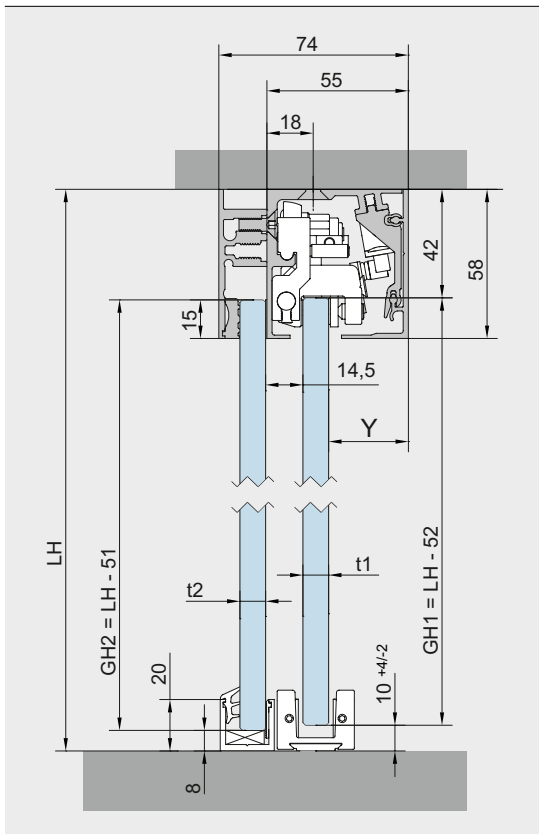
# Type illustrations with side panel



**Fixed at ceiling**

**Product description**

**Glass thickness**



For installation with one door panel

8 – 12 mm

**Max. weight of door panels**

60 kg

**Calculation of glass height**

$GH1 = LH - 52$

$GH2 = LH - 51$

max. 2,500 mm

**Calculation of glass width**

$A = LW + 30$  mm

min. 600 mm

(after consultation: min. 400 mm possible)

max. 1,300 mm

min. 600 mm with DORMOTION

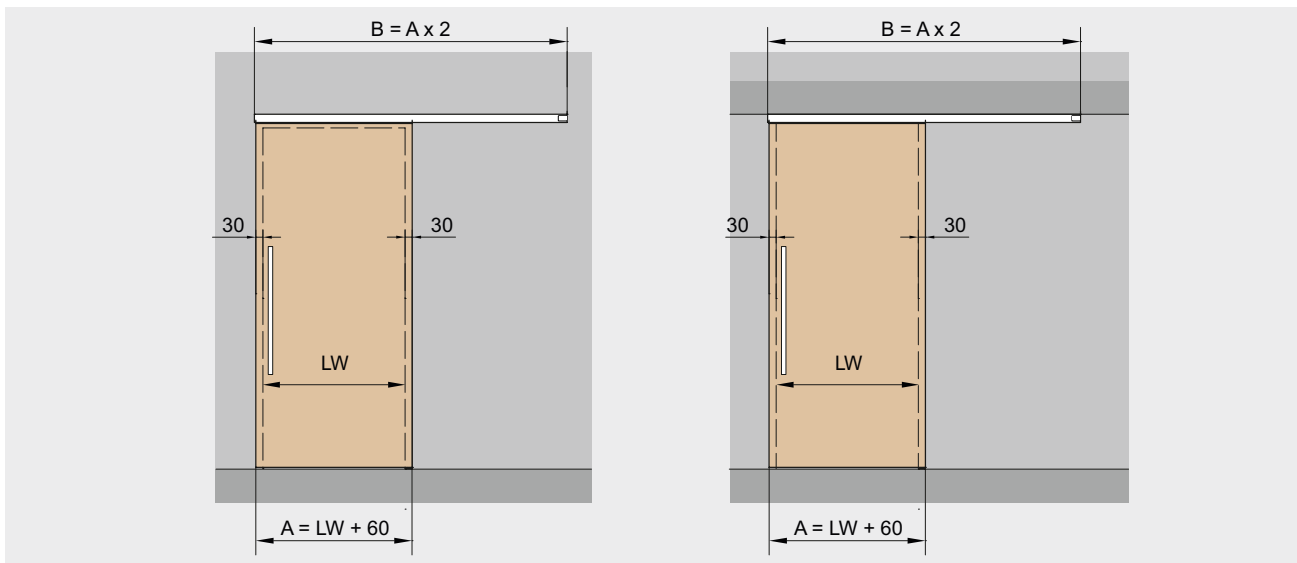
(after consultation: min. 550 mm possible)

max. 1,300 mm

- A = Glass width
- B = Length of track
- GH1 = Glass height sliding door
- GH2 = Glass height sidelight
- LH = Clear opening height
- LW = Clear opening width

- S = Glass width sidelight
- t1 = Glass thickness sliding door
- t2 = Glass thickness sidelight
- Y = 55 mm - (14 mm + t1)

# Type illustrations for timber door applications



Fixed at wall	Fixed at ceiling	Product description	Wood thickness
		<p>For installation with one door panel</p> <p><b>Max. weight of door panels</b> 60 kg</p> <p><b>Calculation of door height fixed at wall</b>  <math>TH = LH + X - 17</math>                      max. 2,500 mm</p> <p><b>Calculation of door height fixed at ceiling</b>  <math>TH = LH - 75</math>                      max. 2,500 mm</p> <p><b>Calculation of door width</b>  <math>A = LW + 60</math> mm                      min. 600 mm                      (after consultation:                      min. 400 mm possible)                      max. 1,300 mm                      min. 600 mm with DORMOTION                      (after consultation:                      min. 550 mm possible)                      max. 1,300 mm</p>	<p>28 – 50 mm</p>
<p>* Timber door 100 mm solid wood for connection at timber adapter</p>			

- A = Timber door width
- B = Length of track
- LH = Clear opening height
- LW = Clear opening width

- TH = Door height
- U = Wood thickness
- X = Freely selectable protrusion (depending on structural conditions)

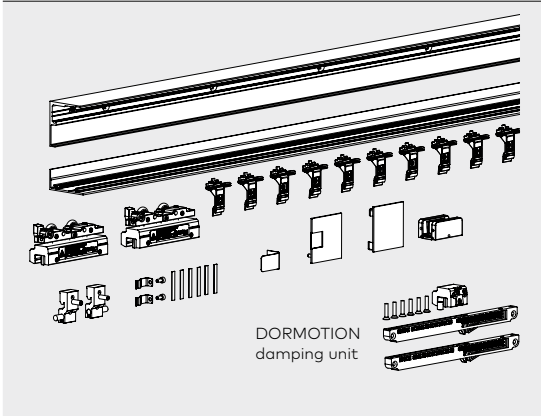
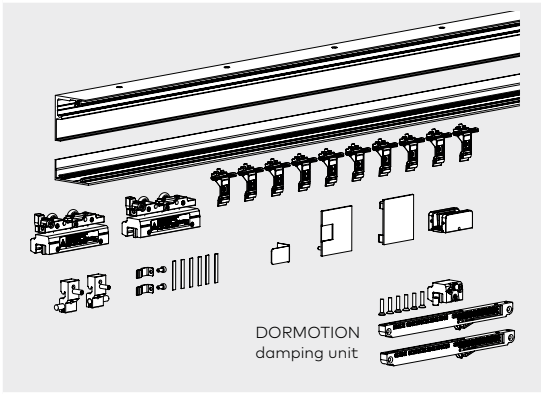
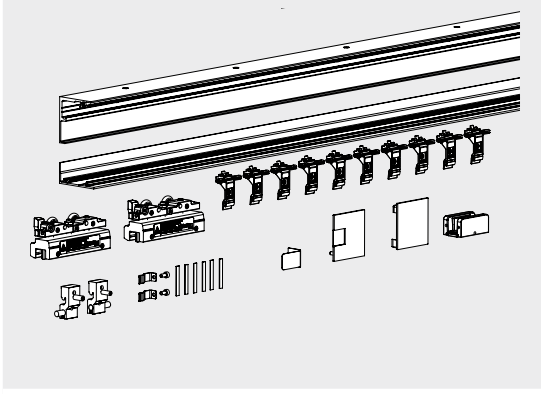
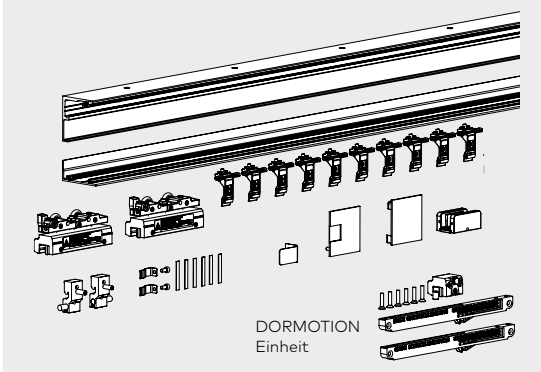


# Complete sets - defined lengths

	Product description	Panel width	Profile length	Glass thickness	Art. No.
	<b>MUTO Comfort M 60 Set prepared for DORMOTION wall installation</b> incl. track profile, cover profile, accessory set, end caps	950 1,200	1,900 2,400	8 – 12 mm 8 – 12 mm	<b>36.670</b> <b>36.671</b>
	<b>MUTO Comfort M 60 Set incl. DORMOTION*</b> wall installation incl. track profile, cover profile, accessory set, end caps	950 1,200	1,900 2,400	8 – 12 mm 8 – 12 mm	<b>36.676</b> <b>36.677</b>
	max. 60 kg DORMOTION damping unit				
	<b>MUTO Comfort M 60 Set prepared for DORMOTION ceiling installation</b> incl. track profile, cover profile, accessory set, end caps	950 1,200	1,900 2,400	8 – 12 mm 8 – 12 mm	<b>36.672</b> <b>36.673</b>
	<b>MUTO Comfort M 60 Set incl. DORMOTION*</b> ceiling installation incl. track profile, cover profile, accessory set, end caps	950 1,200	1,900 2,400	8 – 12 mm 8 – 12 mm	<b>36.678</b> <b>36.679</b>
	max. 60 kg DORMOTION damping unit				

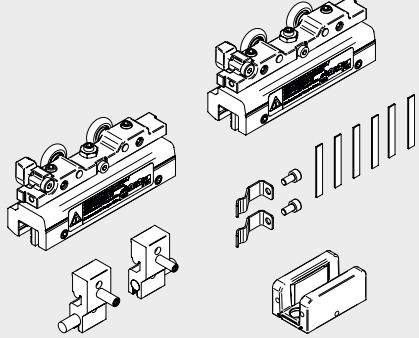
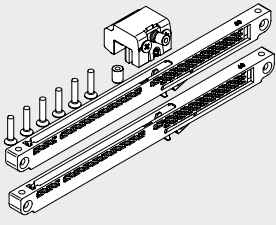
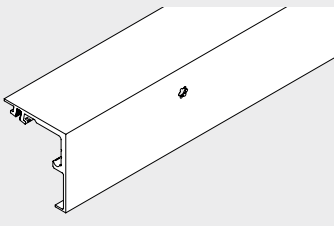
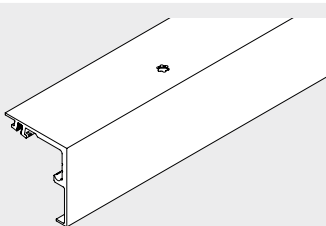
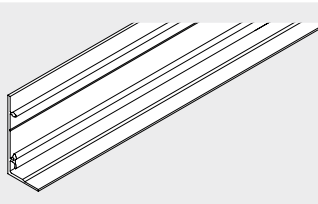
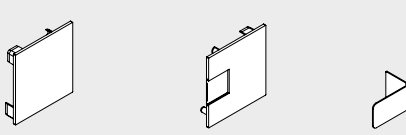
\*When using a DORMOTION damping unit, we recommend installation of a pull handle.

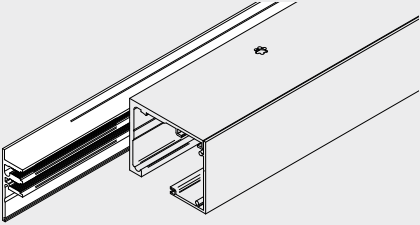
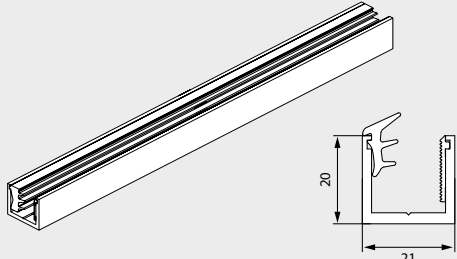
# Complete sets - individual lengths

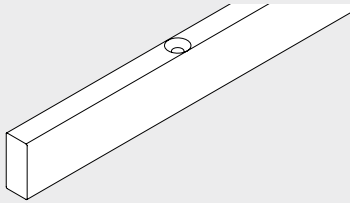
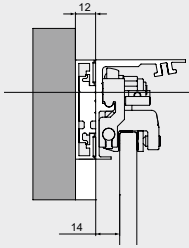
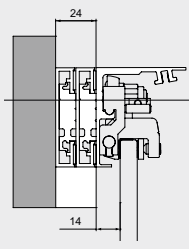
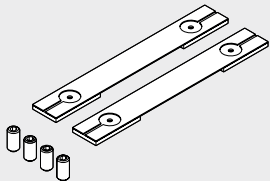
	Product description	Glass thickness	Art. No.
	<b>MUTO Comfort M 60 Set prepared for DORMOTION</b> wall installation <b>individual profile length</b> up to max. 5,940 mm incl. track profile, cover profile, accessory set, end cap	8 – 12 mm	<b>36.674</b>
	<b>MUTO Comfort M 60 Set incl. DORMOTION*</b> wall installation <b>individual profile length</b> up to max. 5,940 mm incl. track profile, cover profile, accessory set, end cap  max. 60 kg	8 – 12 mm	<b>36.680</b>
	<b>MUTO Comfort M 60 Set prepared for DORMOTION</b> ceiling installation <b>individual profile length</b> up to max. 5,940 mm incl. track profile, cover profile, accessory set, end cap	8 – 12 mm	<b>36.675</b>
	<b>MUTO Comfort M 60 Set incl. DORMOTION*</b> wall installation <b>individual profile length</b> up to max. 5,940 mm incl. track profile, cover profile, accessory set, end cap  max. 60 kg	8 – 12 mm	<b>36.681</b>
	<b>MUTO Comfort M 60 Set prepared for DORMOTION</b> ceiling installation with sidelight <b>individual profile length</b> up to max. 5,940 mm incl. track profile, cover and sidelight profile, filling profile, accessory set, end cap, view protection profile	8 – 12 mm	<b>36.682</b>
	<b>MUTO Comfort M 60 Set incl. DORMOTION*</b> ceiling installation with sidelight <b>individual profile length</b> up to max. 5,940 mm incl. track profile, cover and sidelight profile, filling profile, accessory set, end cap, view protection profile  max. 60 kg	8 – 12 mm	<b>36.683</b>
	<b>MUTO Comfort M 60 Set incl. DORMOTION*</b> ceiling installation with sidelight <b>individual profile length</b> up to max. 5,940 mm incl. track profile, cover and sidelight profile, filling profile, accessory set, end cap, view protection profile  max. 60 kg	8 – 12 mm	<b>36.683</b>

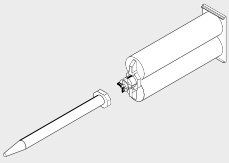
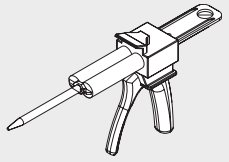
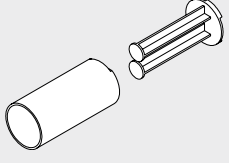
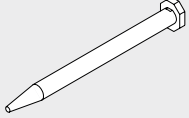
\*When using a DORMOTION damping unit, we recommend installation of a pull handle.

# Component parts

	Product description	Art. No.
	<p><b>Accessory set</b>  <b>Consisting of:</b>            2 Clamp carriers            2 Endstops            1 Floor guide</p>	<p><b>36.691</b></p>
	<p><b>DORMOTION unit</b>            Panel width min. 600 mm            (after consultation            min. 550 mm possible)            for max. 60 kg,            incl. starter</p> <p>When using a DORMOTION            damping unit, we recommend            installation of a pull handle.</p>	<p><b>36.693</b>  <b>Optional</b></p>
	<p><b>Track rail</b>  <i>wall installation</i></p> <p>stock length 6,000 mm            fixed length</p>	<p><b>36.684</b>  <b>36.687</b></p>
	<p><b>Track rail</b>  <i>ceiling installation</i></p> <p>stock length 6,000 mm            fixed length</p>	<p><b>36.685</b>  <b>36.688</b></p>
	<p><b>Cover profile</b></p> <p>stock length 6,000 mm            fixed length</p>	<p><b>36.686</b>  <b>36.696</b></p>
	<p><b>MUTO Comfort M 60</b>  <b>Set endcaps</b>  <i>for wall and ceiling installation</i></p>	<p><b>36.692</b></p>

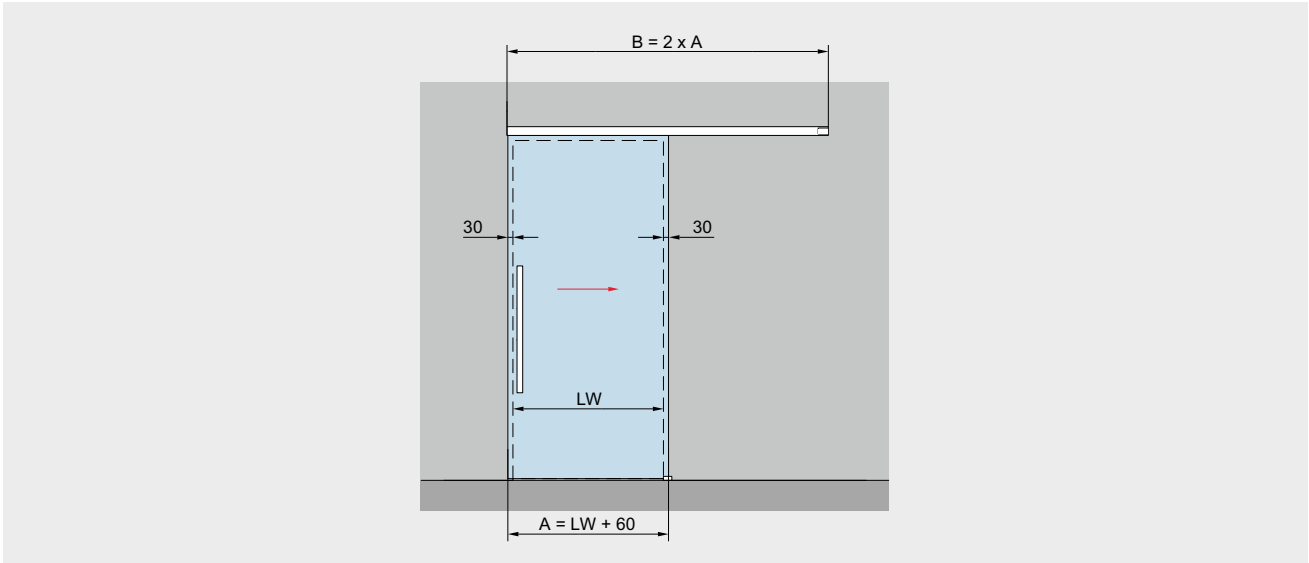
	Product description	Glass thickness	Art. No.
	<p><b>MUTO Comfort M 60 + L 80</b>  <b>Side light profile</b>                      58 mm height, with gaskets,                      for 8 – 13.5 mm glass                      When installing between two                      walls, please give particular atten-                      tion to the width of the end covers                      (each 2 mm).                      stock length 6,000 mm                      fixed length</p>		<p><b>36.271</b>  <b>36.274</b></p>
	<p><b>MUTO M 60</b>  <b>View protection profile</b>                      for track rail (e.g. when using a                      fixed part on handle / closing side)                      stock length 6,000 mm                      fixed length</p>		<p><b>36.694</b>  <b>36.695</b></p>
	<p><b>MUTO</b>  <b>Filling profile</b>                      for Comfort M, L, Premium XL and                      Self-Closing, for side light profile                      stock length 6,000 mm                      fixed length</p>		<p><b>36.802</b>  <b>36.803</b></p>
	<p><b>MUTO Comfort M 60 + L 80</b>  <b>End caps</b>                      for side light profile, 58 mm height                      each 2 mm width (When installing                      between two walls, please give                      particular attention to it.)</p>		<p><b>36.273</b></p>
	<p><b>MUTO</b>  <b>End caps (2 pieces)</b>                      for floor profile</p>		<p><b>36.812</b></p>
	<p><b>MUTO</b>  <b>Floor profile</b>                      for fixing side light, with gaskets,                      incl. end caps                       stock length 6,000 mm                      fixed length</p>	<p>8 – 13.5 mm</p>	<p><b>36.810</b>  <b>36.811</b></p>

	Product description	Art. No.
	<p><b>MUTO Comfort M 60 Timber adapter profile</b> 10 x 23 mm, incl. accessories (with timber floor guide) 1,310 mm fixed length</p> <p>Please indicate the wooden door leaf width when ordering!</p>	<p><b>36.941</b></p>
	<p><b>MUTO Comfort - balance profile set</b> incl. 2 end caps 12 mm, for installation over an existing door frame; compensates for the frame thickness; fixed length</p>	<p><b>36.872</b></p>
	<p><b>MUTO Comfort - balance profile set</b> incl. 4 end caps 24 mm, for installation over an existing door frame; compensates for the frame thickness; fixed length</p>	<p><b>36.873</b></p>
	<p><b>MUTO Comfort M 60 LSG set</b> Accessory set for use with LSG for one pair of clamp carrier</p> <p><b>Consisting of:</b> 2 Gaskets 4 Injector screw</p> <p>Please order the LSG glue 07.631 separately</p>	<p><b>36.939</b></p>

	<b>Product description</b>	<b>Art. No.</b>
	<p><b>Special adhesive for use with LSG</b> The contents of the cartridge are sufficient for 10 clamp carriers (varies if the nozzle contents have dried out!) If necessary, order additional spare nozzles (art. no. 07630).</p>	<b>07.631</b>
	<p><b>Automix gun for LSG</b> Use in combination with article 07.631</p>	<b>07.629</b>
	<p><b>Automix adapter for LSG</b> Use in combination with article 07.631 (for use with a commercially available silicone syringe)</p>	<b>07.628</b>
	<p><b>Spare nozzle for LSG</b> Use in combination with article 07.631</p>	<b>07.630</b>

Vertical brush seals can be found on page 186

# Type illustrations wall installation

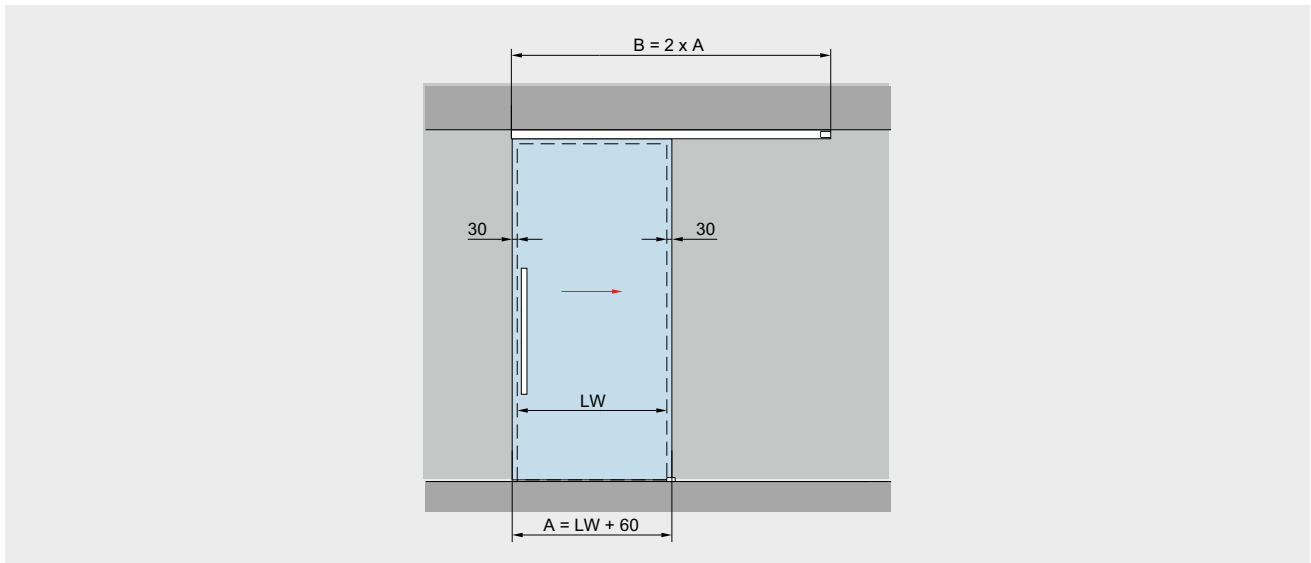


Fixed at wall	Product description	Glass thickness
	<p>For installation with one door panel</p> <p><b>Max. weight of door panels</b> 80 kg</p> <p><b>Calculation of glass height</b> GH = LH + 18 + X mm max. 3,000 mm</p> <p><b>Calculation of glass width</b> A = LW + 60 mm min. 660 mm max. 2,000 mm max. 2 x 1,250 mm</p>	8 – 13.5 mm

- A = Glass width
- B = Length of track
- GH1 = Glass height sliding door
- H = Total height
- LH = Clear opening height

- LW = Clear opening width
- t1 = Glass thickness sliding door
- Y = 71 mm – 17 mm – t
- X = Freely selectable protrusion (depending on structural conditions)

# Type illustrations ceiling installation



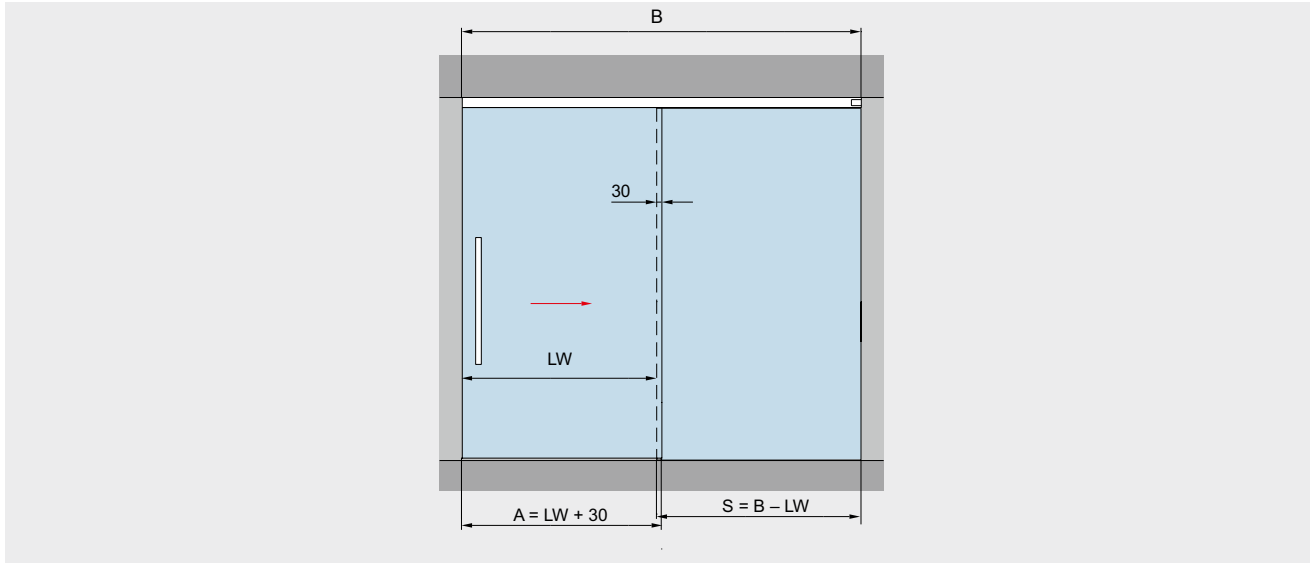
Fixed at ceiling	Product description	Glass thickness
	<p>For installation with one door panel</p> <p><b>Max. weight of door panels</b> 80 kg</p> <p><b>Calculation of glass height</b> GH1 = H - 40 mm max. 3,000 mm</p> <p><b>Calculation of glass width</b> A = LW + 60 mm min. 660 mm max. 2,000 mm max. 2 x 1,250 mm</p>	8 – 13.5 mm

A = Glass width  
 B = Length of track  
 GH1 = Glass height sliding door  
 H = Total height

LH = Clear opening height  
 LW = Clear opening width  
 t1 = Glass thickness sliding door  
 Y = 71 mm - 17 mm - t



# Type illustrations with side panel, on one side

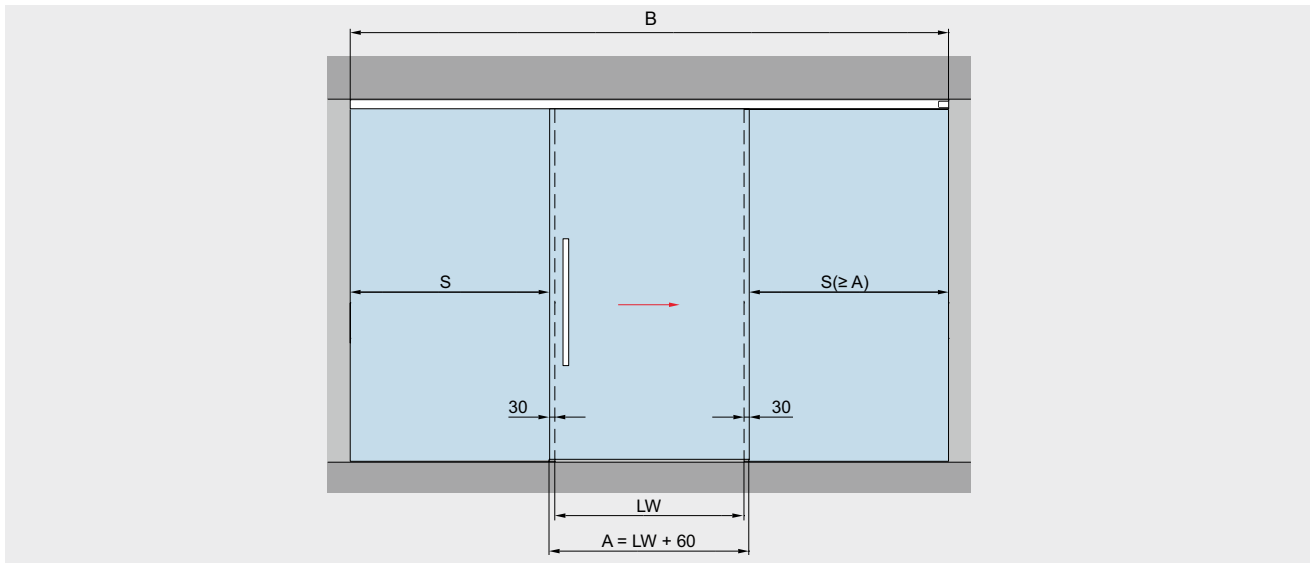


Fixed at ceiling	Product description	Glass thickness
	<p>For installation with one door panel</p> <p><b>Max. weight of door panels</b> 80 kg</p> <p><b>Calculation of glass height</b> GH1 = H - 40 mm GH2 = H - 51 mm max. 3,000 mm</p> <p><b>Calculation of glass width</b> A = LW + 30 mm min. 660 mm max. 2,000 mm</p>	<p>8 – 13.5 mm</p>

- A = Glass width
- B = Length of track
- GH1 = Glass height sliding door
- GH2 = Glass height sidelight
- H = Total height
- LH = Clear opening height

- LW = Clear opening width
- S = Glass width sidelight
- t1 = Glass thickness sliding door
- t2 = Glass thickness sidelight
- Y = 71 mm - 17 mm - t1

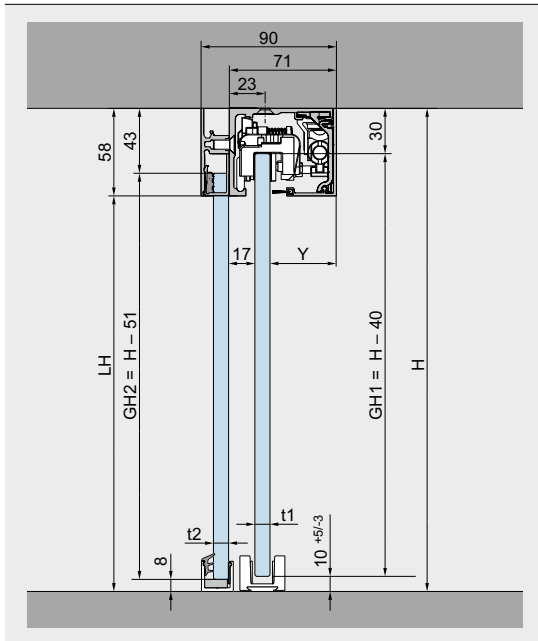
# Type illustrations with sidelight on both sides



## Fixed at ceiling

## Product description

## Glass thickness



For installation with one door panel

8 – 13.5 mm

### Max. weight of door panels

80 kg

### Calculation of glass height

$GH1 = H - 40$  mm

$GH2 = H - 51$  mm

max. 3,000 mm

### Calculation of glass width

$A = LW + 60$  mm

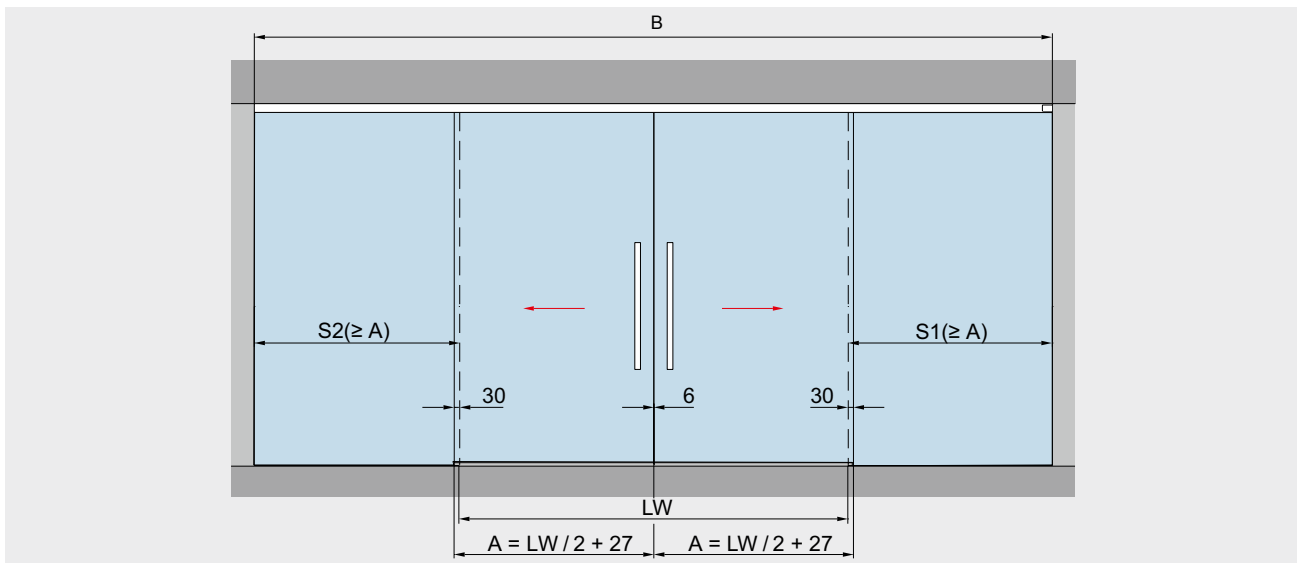
min. 660 mm

max. 2,000 mm

A = Glass width  
 B = Length of track  
 GH1 = Glass height sliding door  
 GH2 = Glass height sidelight  
 H = Total height  
 LH = Clear opening height

LW = Clear opening width  
 S = Glass width sidelight  
 t1 = Glass thickness sliding door  
 t2 = Glass thickness sidelight  
 Y = 71 mm - 17 mm - t1

# Type illustrations with two door panels with sidelights



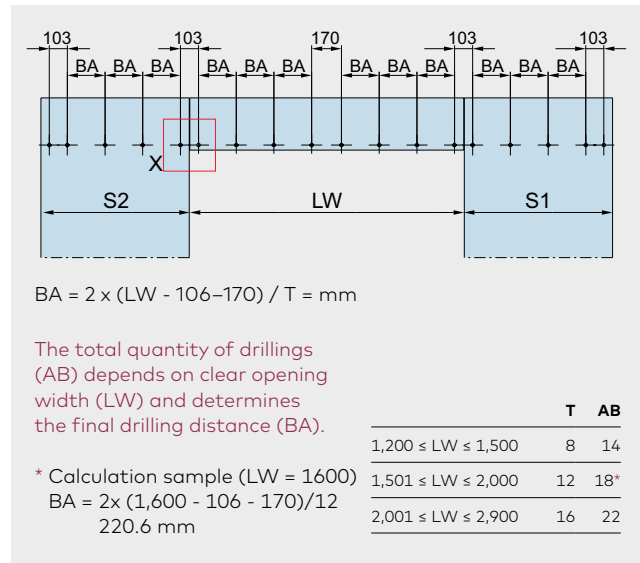
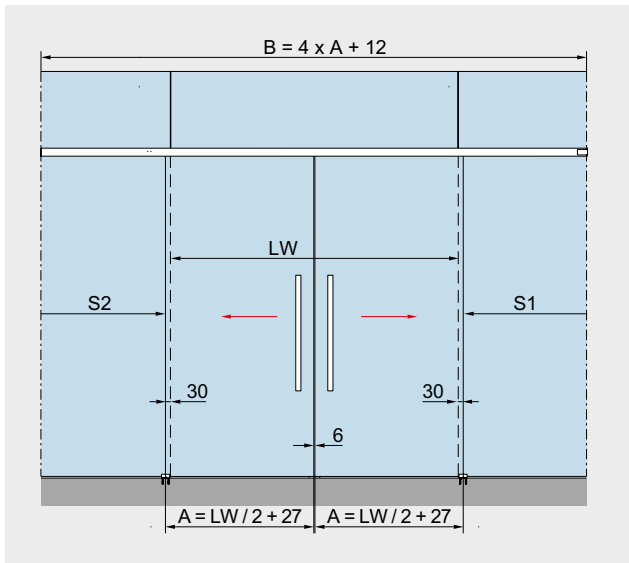
Fixed at ceiling	Product description	Glass thickness
	<p>For installation with two door panels</p> <p><b>Glass thickness</b> 8 – 13.5 mm</p> <p><b>Max. weight of door panels</b> 80 kg</p> <p><b>Calculation of glass height</b> GH1 = H – 40 mm GH2 = H – 51 mm max. 3,000 mm</p> <p><b>Calculation of glass width</b> A = LW / 2 + 27 mm min. 660 mm max. 2 x 1,250 mm</p>	

- A = Glass width
- B = Length of track
- GH1 = Glass height sliding door
- GH2 = Glass height silight
- H = Total height

- S1/S2 = Glass width silight
- LH = Clear opening height
- LW = Clear opening width
- t1 = Glass thickness sliding door
- t2 = Glass thickness silight
- Y = 71 mm – 17 mm – t1



# Type illustrations with two door panels fixed at glass



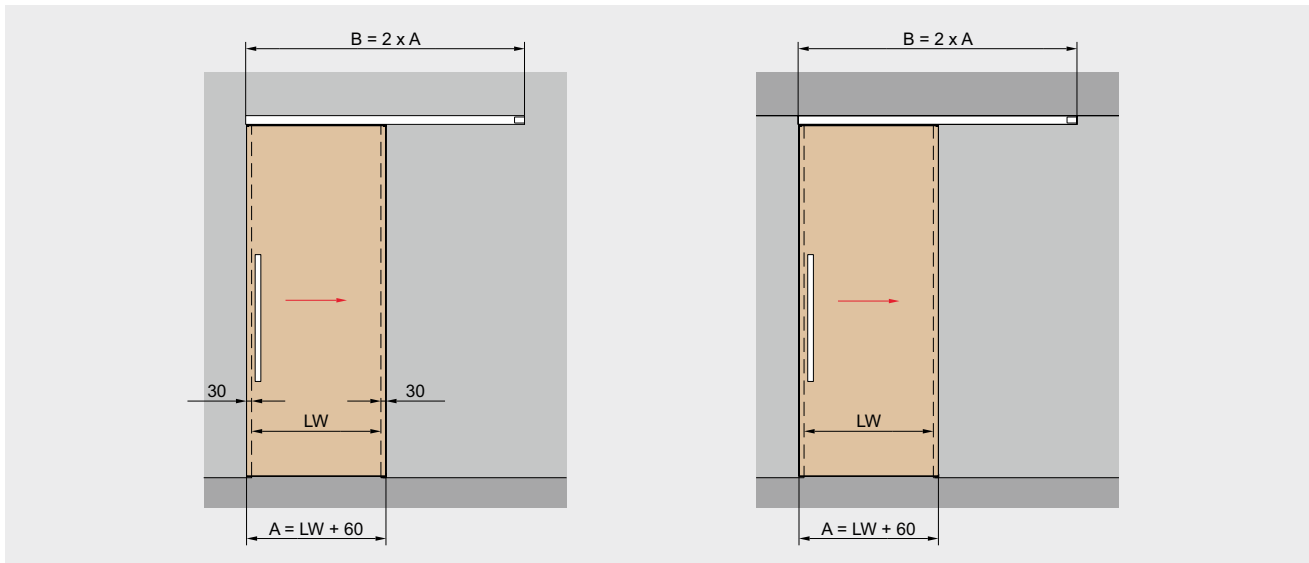
You will find a calculation tool for the glass preparation of the fixed parts MUTO on glass under the following link <https://glas-innovationen.com/glass-innovations/muto>

Glass preparation	Product description	Glass thickness
<p>Detail X</p>	For installation with two panels  <b>Max. weight of door panels</b> 80 kg  <b>Calculation of glass height</b> $GH1 = LH + 18 \text{ mm}$ max. 3,000 mm  <b>Calculation of glass width</b> $A = LW / 2 + 27 \text{ mm}$	8 – 13.5 mm

Fixed at glass	Product description	L 80								
	To ensure a correct and aligned mounting of the track rail, a fully supporting fixed panel must be installed.	<table border="1"> <tbody> <tr> <td>min. glass width without DORMOTION</td> <td>660 mm</td> </tr> <tr> <td>min. clear opening width without DORMOTION</td> <td>1,270 mm</td> </tr> <tr> <td>max. Glass width</td> <td>1,250 mm</td> </tr> <tr> <td>max. Clear opening width</td> <td>2,450 mm</td> </tr> </tbody> </table>	min. glass width without DORMOTION	660 mm	min. clear opening width without DORMOTION	1,270 mm	max. Glass width	1,250 mm	max. Clear opening width	2,450 mm
min. glass width without DORMOTION	660 mm									
min. clear opening width without DORMOTION	1,270 mm									
max. Glass width	1,250 mm									
max. Clear opening width	2,450 mm									

- A = Glass width
- AB = Quantity of drillings
- B = Length of track
- BA = Drilling distance
- H = Total height
- LH = Clear opening height
- LW = Clear opening width
- GH1 = Glass height sliding door
- T = Quantity of drillings distance signed with BA
- t1 = Glass thickness sliding door (8 – 13.5 mm)
- t2 = Glass thickness fixed panel (10 – 19 mm)
- Y = 71 mm – 17 mm – t1

# Type illustrations for timber door applications



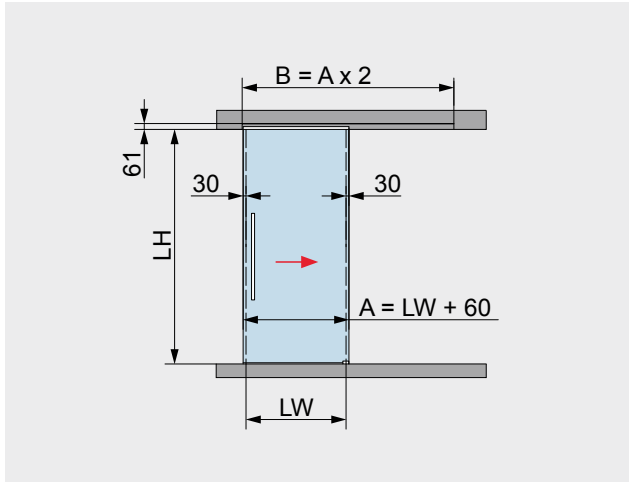
Fixed at wall	Fixed at ceiling	Product description	Wood thickness
		<p>For installation with one door panel</p> <p><b>Max. weight of door panels</b> 80 kg</p> <p><b>Calculation of door height fixed at wall</b> <math>TH = LH - 18 + X</math> mm max. 3,000 mm</p> <p><b>Calculation of door height fixed at ceiling</b> <math>TH = H - 76</math> mm max. 3,000 mm</p> <p><b>Calculation of door width</b> <math>A = LW + 60</math> mm min. 660 mm max. 2,000 mm</p>	28–50 mm
<p>* Timber door 100 mm, solid wood, for attachment to timber adapter.</p>			

A = Timber door width  
 B = Length of track  
 H = Total height  
 LH = Clear opening height

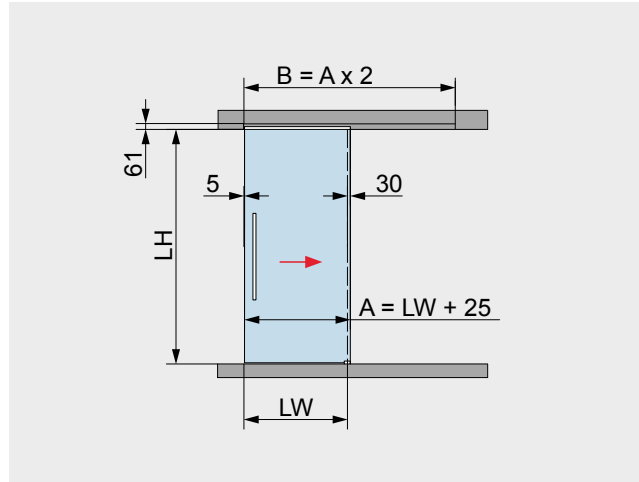
LW = Clear opening width  
 TH = Door height  
 U = Wood thickness  
 X = Freely selectable protrusion (depending on structural conditions)

# Type illustration ceiling slot variant, single panel / double panel

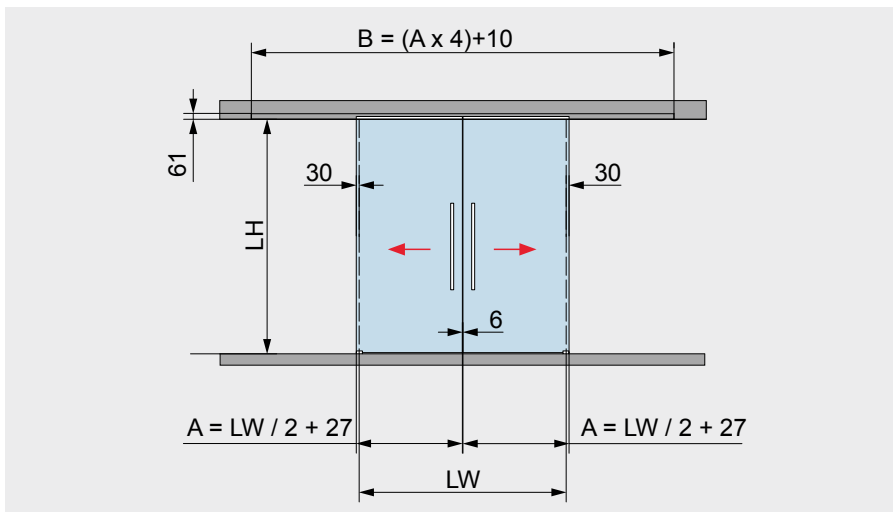
Single panel in ceiling, overlapping



Single panel in ceiling, running in front of wall



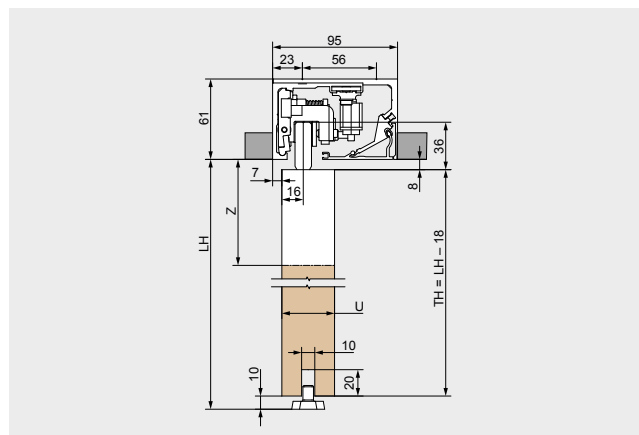
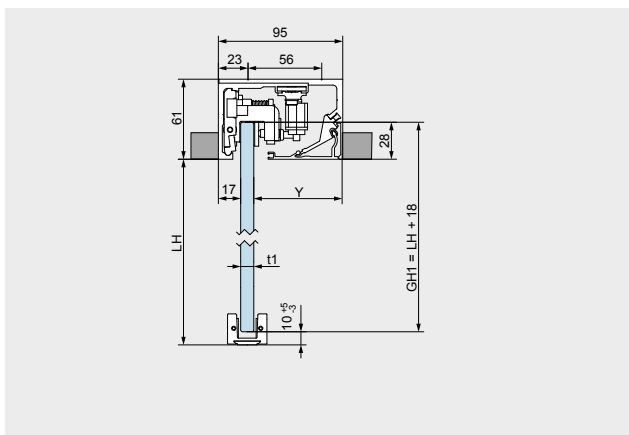
Two door panels in ceiling



**Max. weight of door panels**  
80 kg

**Calculation of glass height**  
GH1 = LH + 18 mm  
max. 3,000 mm

**Calculation of glass width**  
A = LW + 60 mm bzw.  
A = LW + 25 mm (glass in front of running the wall)  
min. 660 mm  
max. 2,000 mm  
max. 2 x 1,250 mm



Door panel also possible in wood.

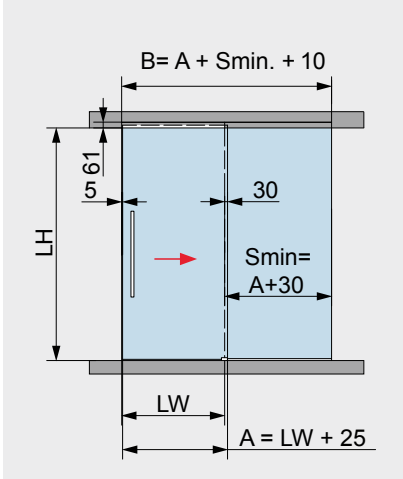
- A = Glass width
- B = Length of track, pocket- and cover profile
- GH1 = Glass height panel
- LH = Total height
- LW = Clear opening width

- t1 = Glass thickness panel (8 – 13.5 mm)
- Y = 95 mm – (17 mm + t1)
- U = Timber door thickness (28 – 50 mm)
- Z = 100 mm Solid wood (wooden adapter)

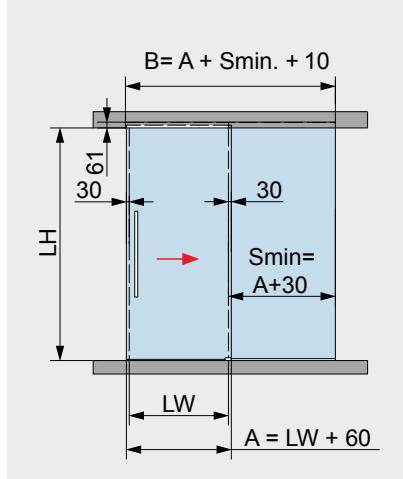


# Type illustration ceiling slot variant with sidelights, single panel / double panel

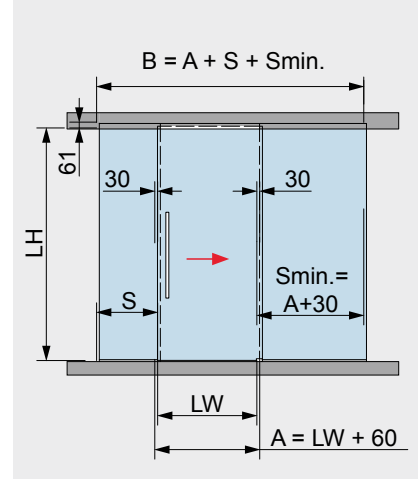
Single panel with sidelight, running in front of wall



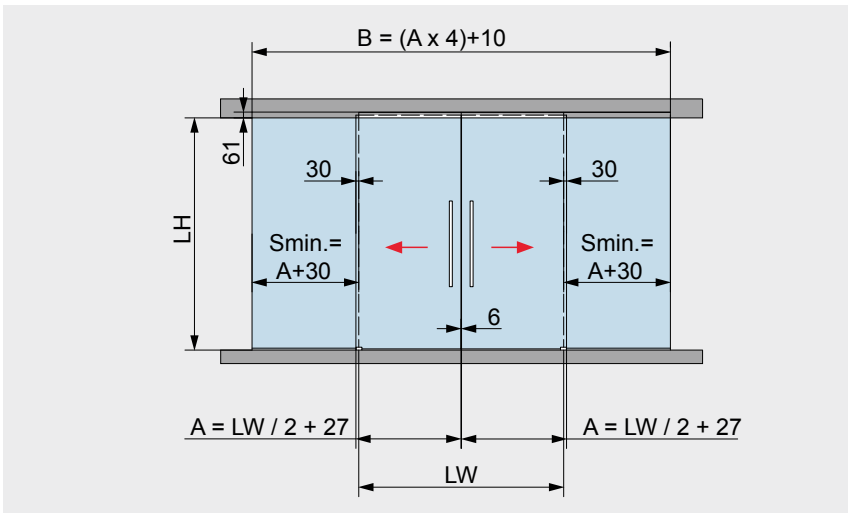
Single panel with sidelight, overlapping



Single panel in ceiling, with two sidelights



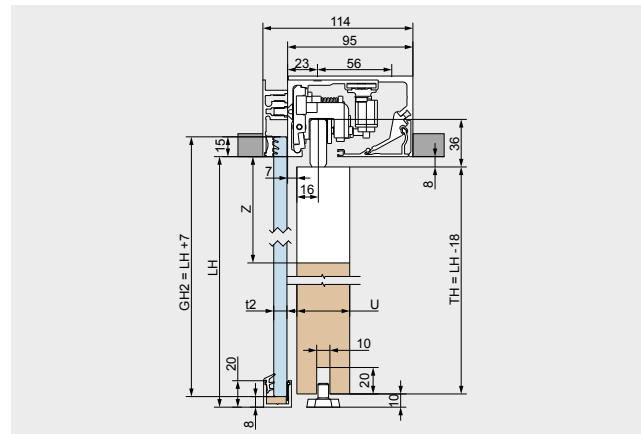
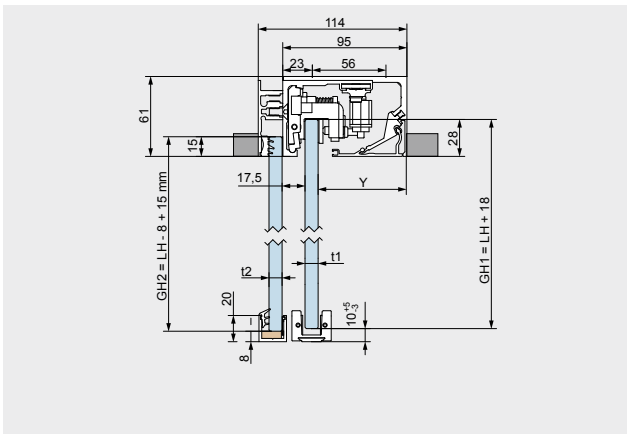
Two door panels in ceiling, with sidelight



**Max. weight of door panels**  
80 kg

**Calculation of glass height**  
GH1 = LH + 18 mm  
GH2 = LH - 8 + 15 mm  
max. 3,000 mm

**Calculation of glass width**  
A = LW + 60 mm  
A = LW + 25 mm (glass in front of running the wall)  
A = LW / 2 + 27 mm (double panel)  
min. 660 mm  
max. 2,000 mm  
max. 2 x 1,250 mm



Door panel also possible in wood.

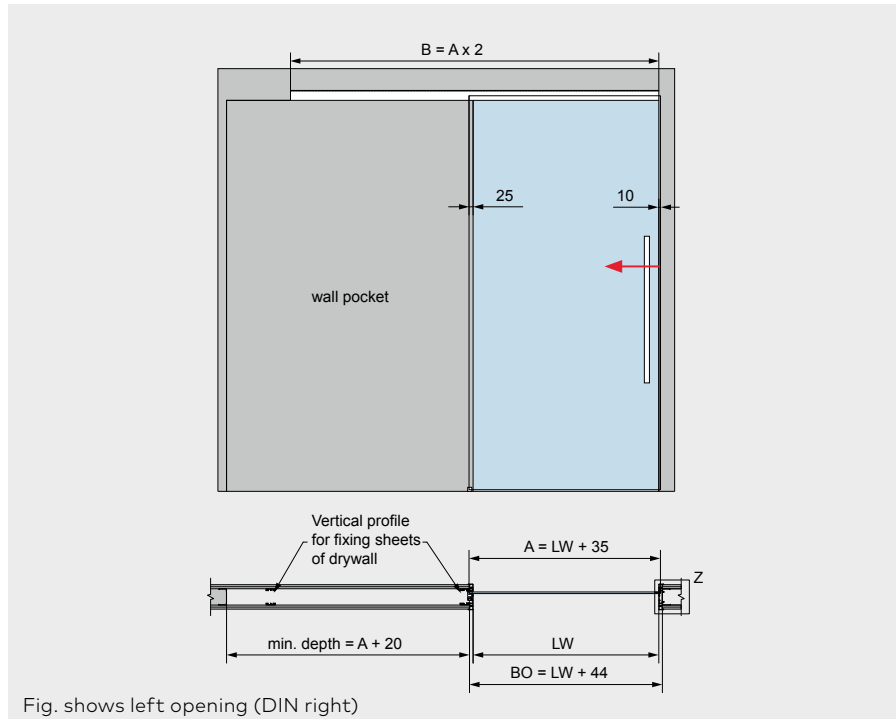
- A = Glass width
- B = Length of track, pocket- and cover profile
- GH1 = Glass height panel
- GH2 = Glass height sidelight

- LH = Total height
- LW = Clear opening width
- t1 = Glass thickness panel (8 – 13.5 mm)
- t2 = Glass thickness sidelight (8 – 13.5 mm)

- S = Glass width sidelight
- Y = 95 mm – (17 mm + t1)
- U = Holztürdicke (28 – 50mm)
- Z = 100 mm Solid wood (wooden adapter)

# Type illustration wall pocket mounting

## single panel with DORMA-Glas wall pocket kit



**Max. weight of door panels**

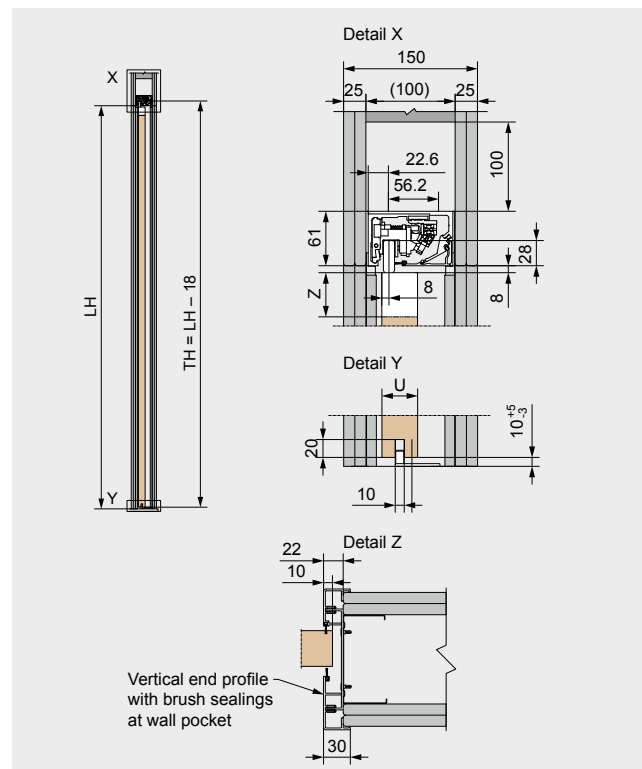
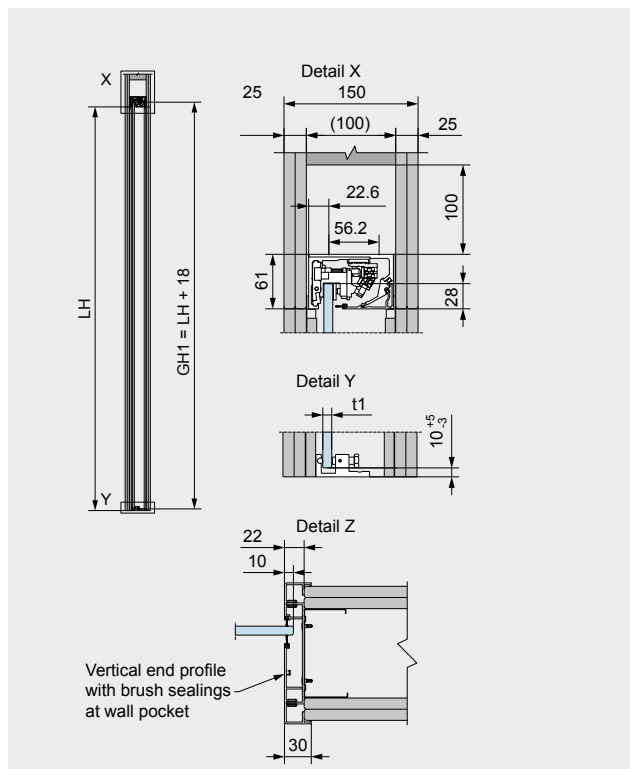
80 kg

**Calculation of glass height**

GH1 = LH + 18 mm  
max. 3,000 mm

**Calculation of glass width**

A = LW + 35 mm  
min. 660 mm  
max. 2,000 mm

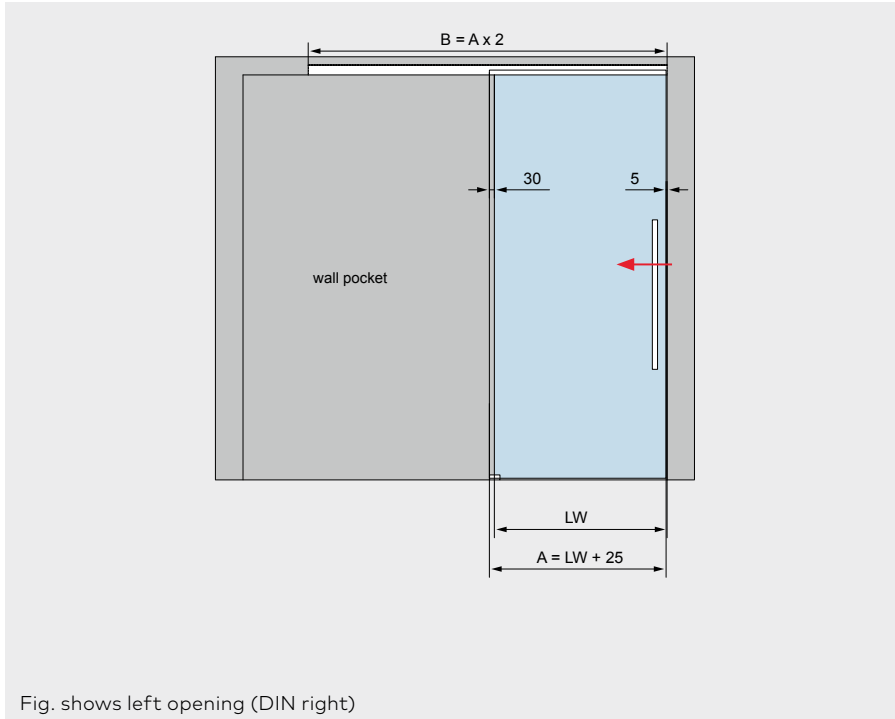


Door panel also possible in wood.

- A = Glass width
- B = Length of track, pocket- and cover profile
- GH1 = Glass height panel
- LH = Total height
- LW = Clear opening width

- t1 = Glass thickness panel (8 – 13.5 mm)
- Y = 95 mm – (17 mm + t1)
- U = Timber door thickness (28 – 40 mm)
- Z = 100 mm Solid wood (wooden adapter)

**single panel with on-site wall pocket kit**

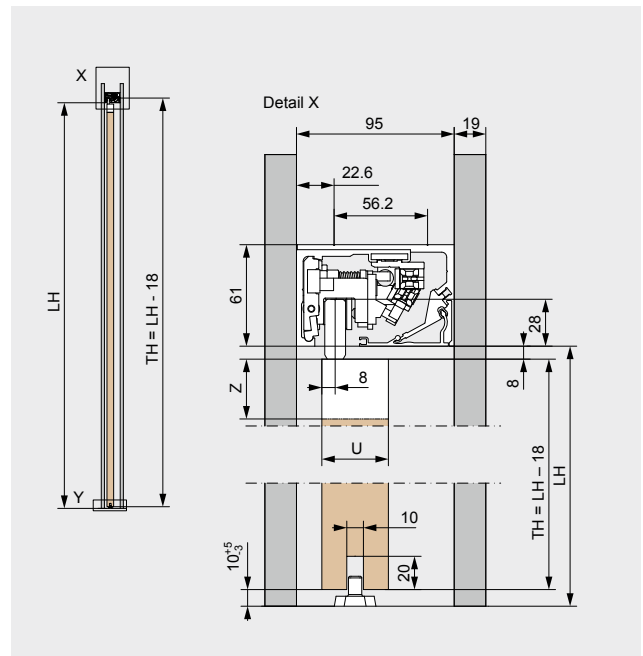
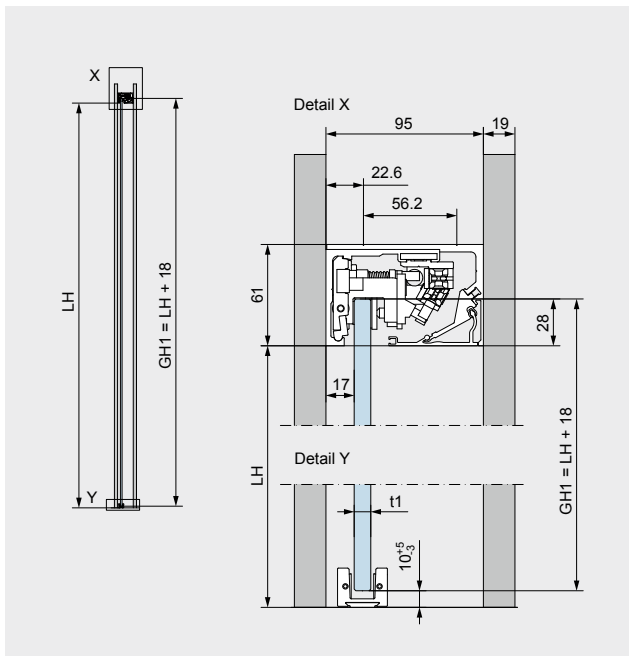


**Max. weight of door panels**  
80 kg

**Calculation of glass height**  
GH1 = LH + 18 mm  
max. 2,800 mm

**Calculation of glass width**  
A = LW + 25 mm  
min. 660 mm  
max. 1,500 mm

Fig. shows left opening (DIN right)



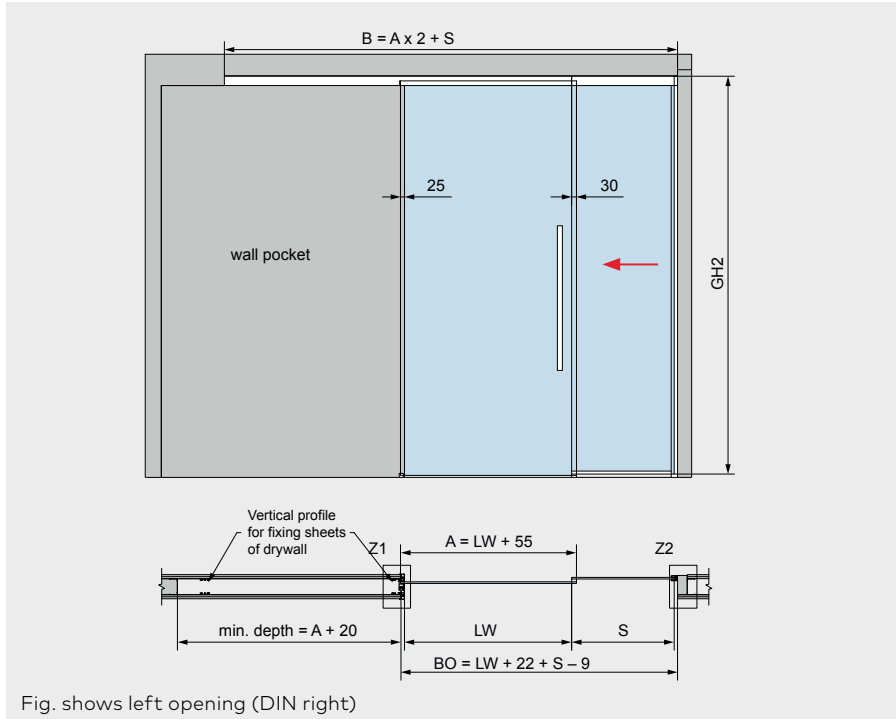
Door panel also possible in wood.

- A = Glass width
- B = Length of track, pocket- and cover profile
- GH1 = Glass height panel
- LH = Total height
- LW = Clear opening width

- t1 = Glass thickness panel (8 – 13.5 mm)
- Y = 95 mm – (17 mm + t1)
- U = Timber door thickness (28 – 40 mm)
- Z = 100 mm Solid wood (wooden adapter)

# Type illustration wall pocket mounting, with sidelight

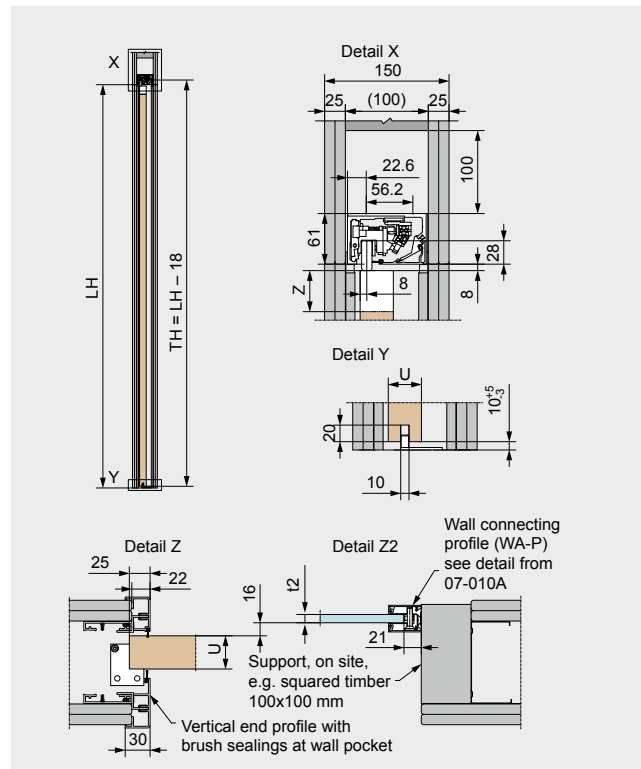
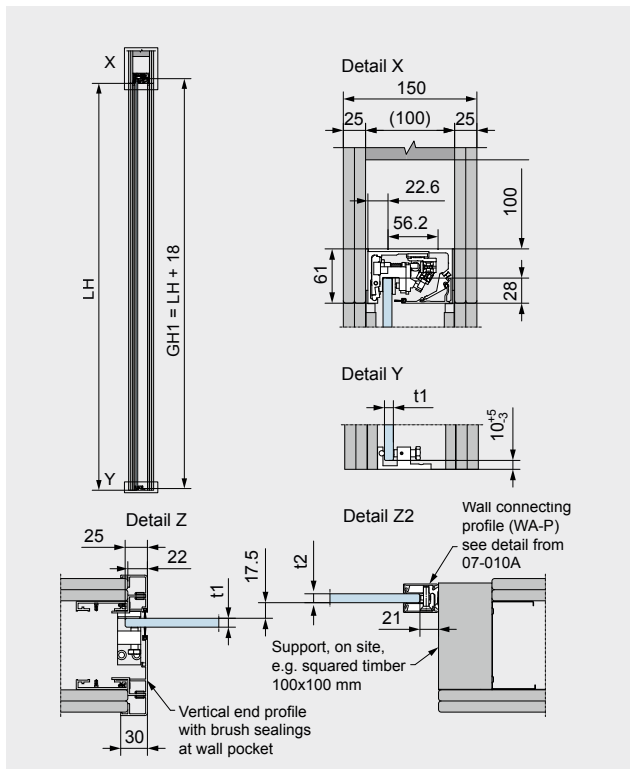
## single panel with sidelight and DORMA-Glas wall pocket kit



**Max. weight of door panels**  
80 kg

**Calculation of glass height**  
GH1 = LH + 18 mm  
max. 3,000 mm

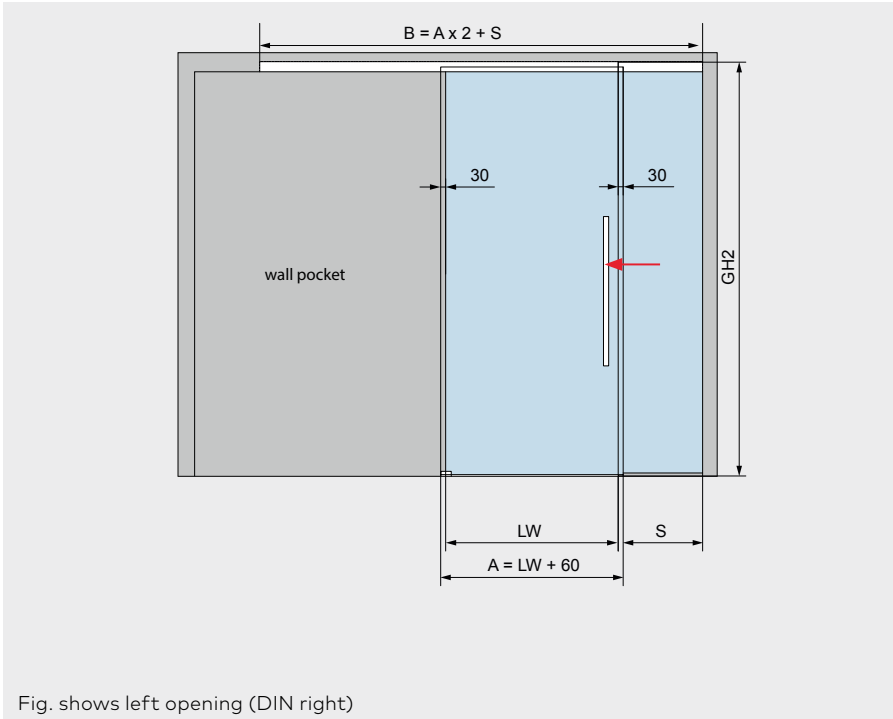
**Calculation of glass width**  
A = LW + 55 mm  
min. 660 mm  
max. 2,000 mm



Door panel also possible in wood.

- |  |  |  |
|--|--|--|
| A = Glass width                                | LH = Total height                            | Y = 95 mm - (17 mm + t1)               |
| B = Length of track, pocket- and cover profile | LW = Clear opening width                     | U = Timber door thickness (28 - 40 mm) |
| GH1 = Glass height panel                       | t1 = Glass thickness panel (8 - 13.5 mm)     | Z = 100 mm Solid wood (wooden adapter) |
| GH2 = Glass height sidelight                   | t2 = Glass thickness sidelight (8 - 13.5 mm) |  |
|  | S = Glass width sidelight                    |  |

**single panel with on-site wall pocket kit**

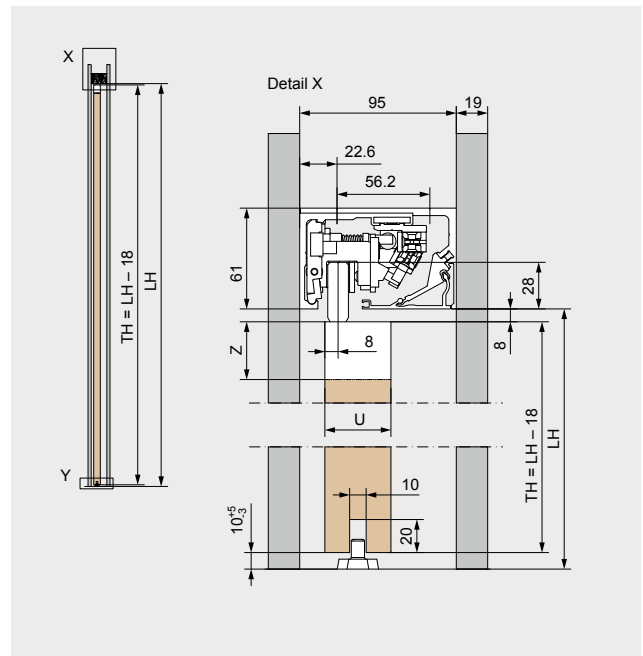
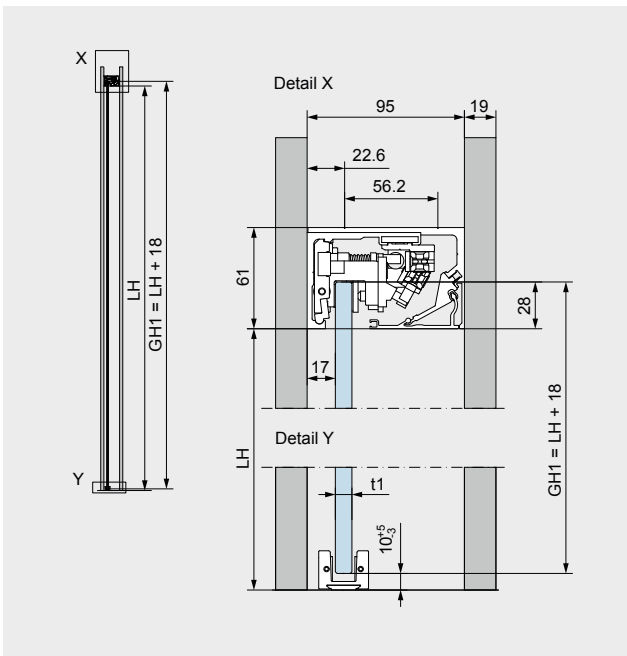


**Max. weight of door panels**  
80 kg

**Calculation of glass height**  
GH1 = LH + 18 mm  
max. 2,800 mm

**Calculation of glass width**  
A = LW + 60 mm  
min. 660 mm  
max. 1,500 mm

Fig. shows left opening (DIN right)



Door panel also possible in wood.

- |  |  |  |
|--|--|--|
| A = Glass width                                | LH = Total height                            | Y = 95 mm - (17 mm + t1)               |
| B = Length of track, pocket- and cover profile | LW = Clear opening width                     | U = Timber door thickness (28 - 40 mm) |
| GH1 = Glass height panel                       | t1 = Glass thickness panel (8 - 13.5 mm)     | Z = 100 mm Solid wood (wooden adapter) |
| GH2 = Glass height sidelight                   | t2 = Glass thickness sidelight (8 - 13.5 mm) |  |
|  | S = Glass width sidelight                    |  |

# Type illustration wall pocket mounting

## double panel with DORMA-Glas wall pocket kit

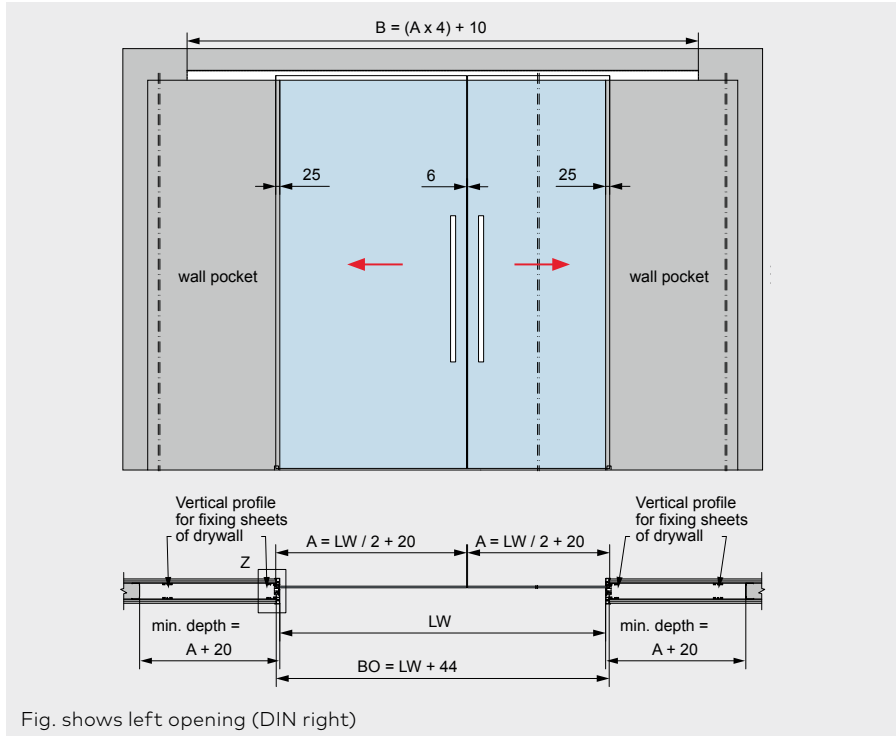


Fig. shows left opening (DIN right)

### Max. weight of door panels

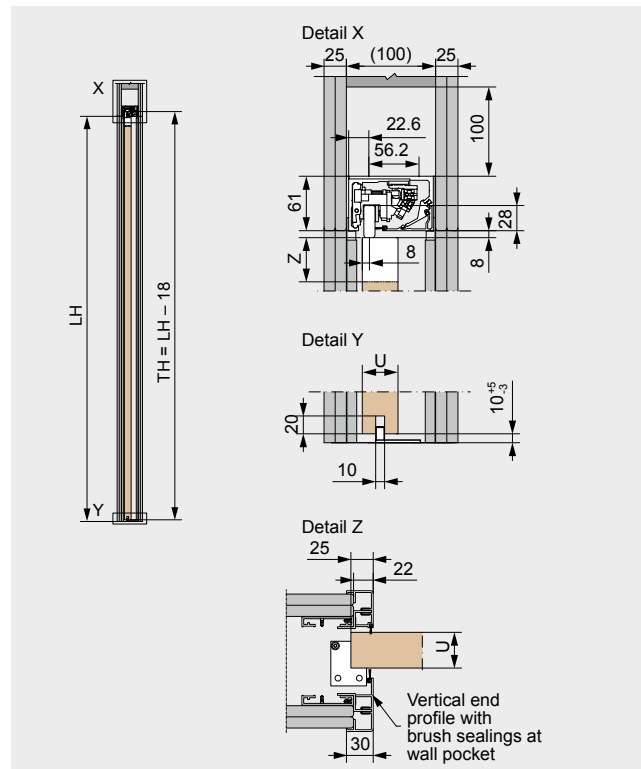
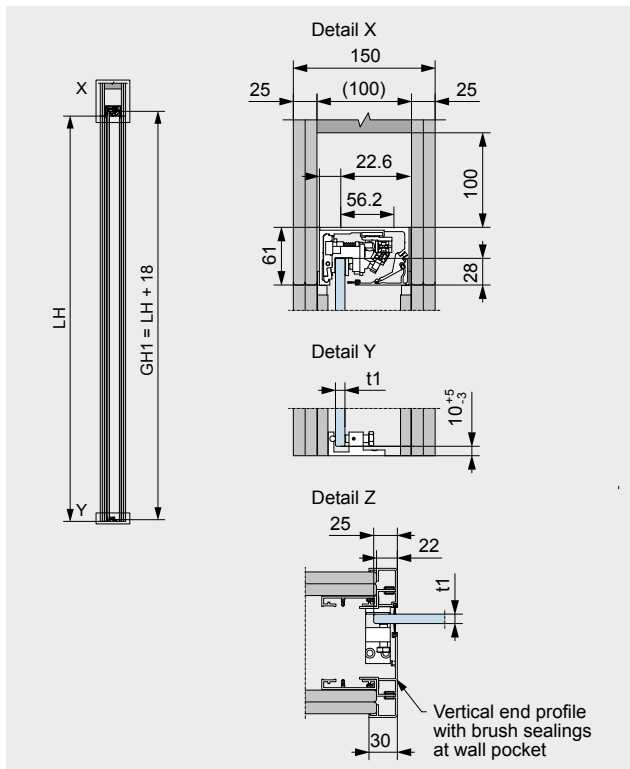
80 kg

### Calculation of glass height

GH1 = LH + 18 mm  
max. 3,000 mm

### Calculation of glass width

A = LW / 2 + 20 mm  
min. 660 mm  
max. 1,500 mm  
max. 2 x 1,250 mm



Door panel also possible in wood.

- A = Glass width
- B = Length of track, pocket- and cover profile
- GH1 = Glass height panel
- LH = Total height
- LW = Clear opening width

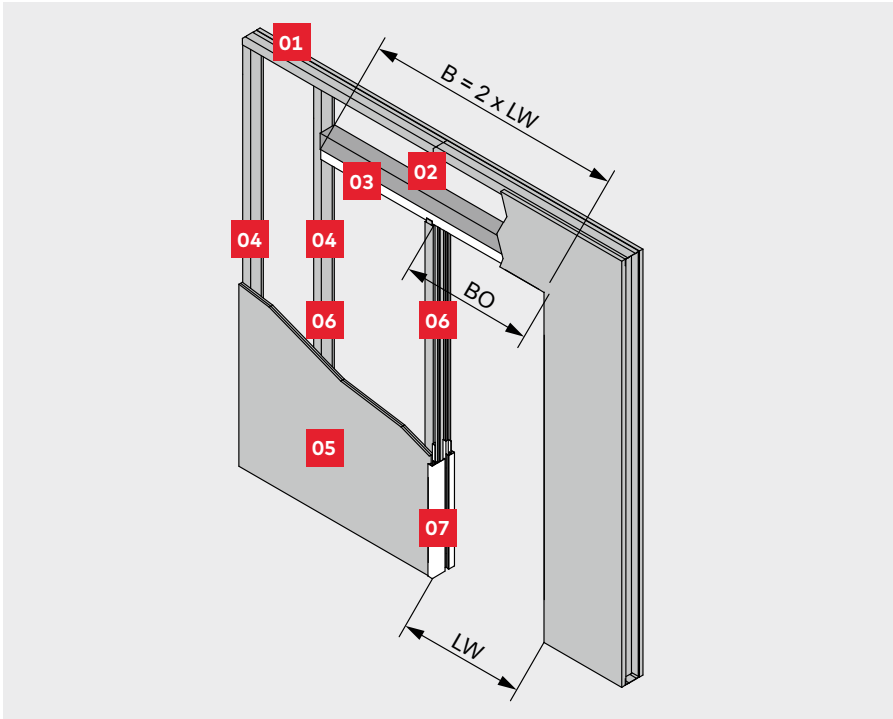
- t1 = Glass thickness panel (8 – 13.5 mm)
- Y = 95 mm – (17 mm + t1)
- U = Timber door thickness (28 – 40 mm)
- Z = 100 mm Solid wood (wooden adapter)



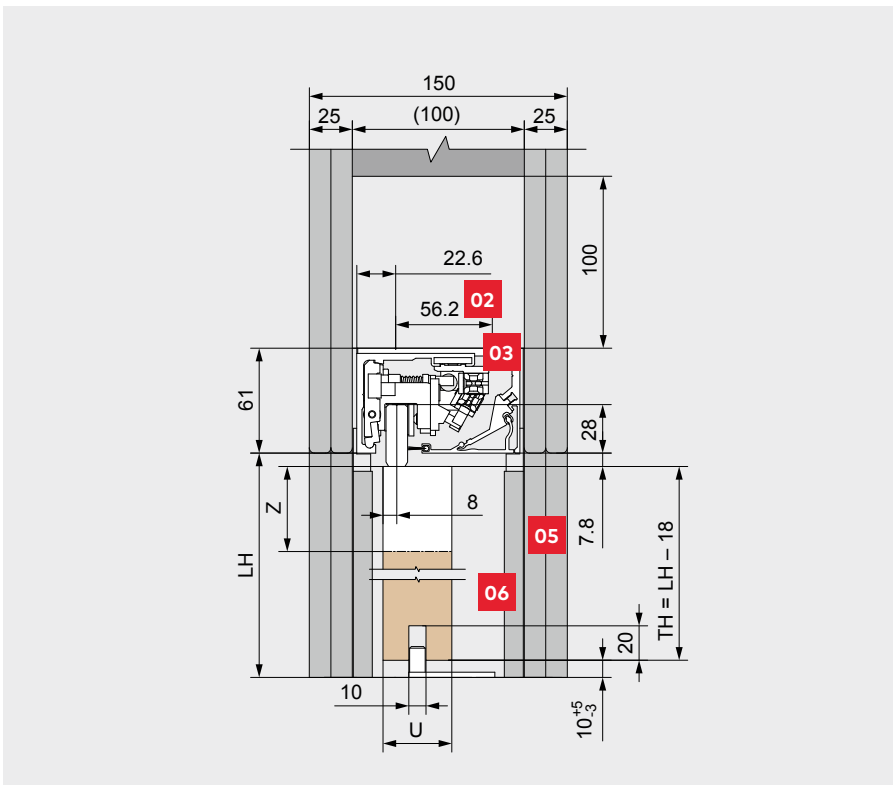




**DORMA-Glas wall pocket kit for wooden doors**

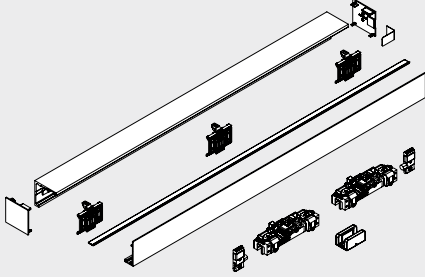
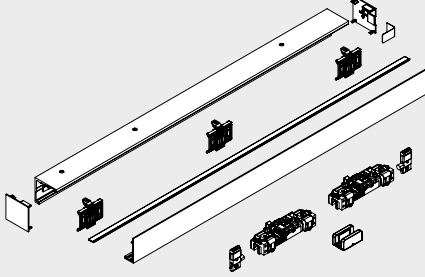
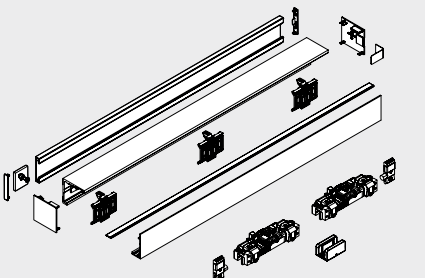


- 01** Drywall construction profile, on site
- 02** Support, on site, e.g. squared timber 100 x 100 mm
- 03** MUTO Comfort L80 track profile
- 04** drywall construction profile, on site
- 05** sheet of drywall, on site
- 06** Vertical profile for fixing sheets of drywall
- 07** Vertical profile with brush sealings

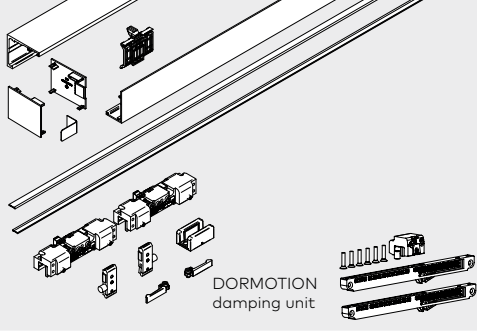
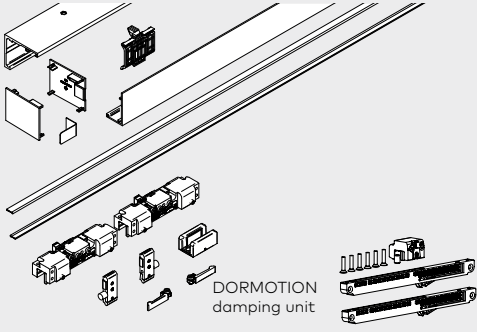
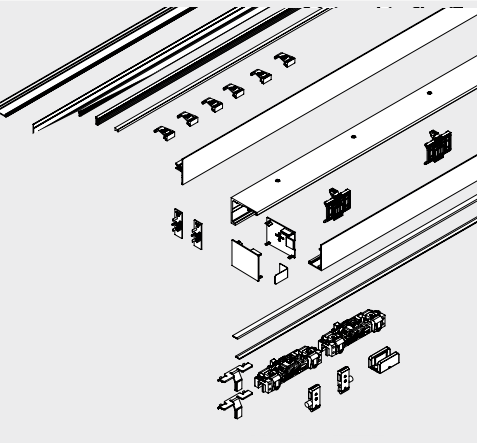
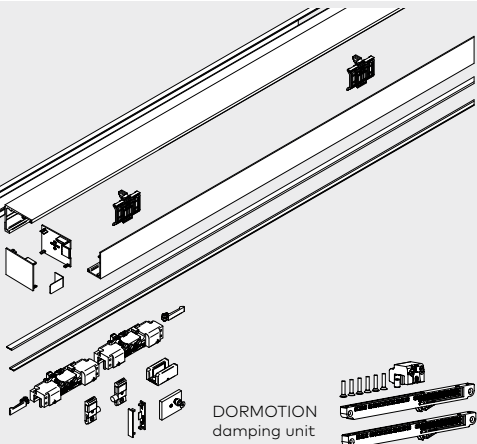


- |  |  |  |
|--|--|--|
| A = Glass width                                | LH = Total height                            | Y = 95 mm – (17 mm + t1)               |
| B = Length of track, pocket- and cover profile | LW = Clear opening width                     | BO = Building opening                  |
| GH1 = Glass height panel                       | t1 = Glass thickness panel (8 – 13.5 mm)     | U = Timber door thickness (28 – 40 mm) |
| GH2 = Glass height sidelight                   | t2 = Glass thickness sidelight (8 – 13.5 mm) | Z = 100 mm Solid wood (wooden adapter) |
|  | S = Glass width sidelight                    |  |

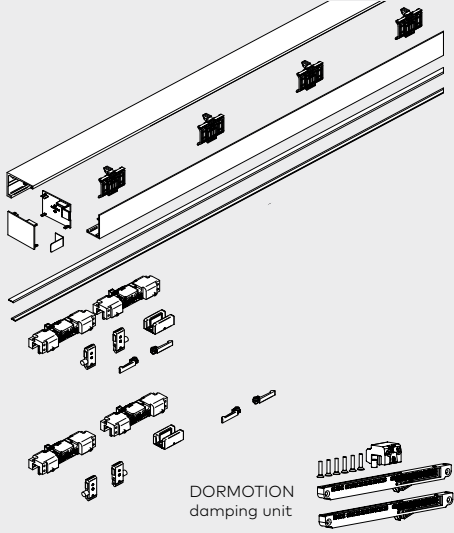
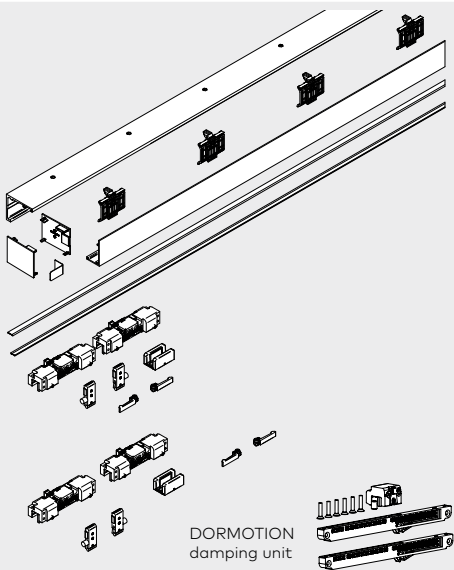
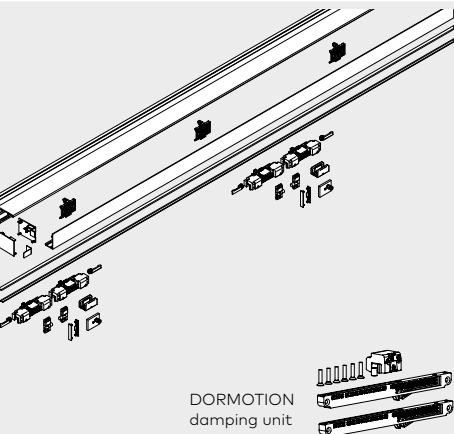
# Complete sets - defined lengths

	Product description	Panel width	Profile length	Glass thickness	Art. No.	
	<b>MUTO Comfort L 80</b> <b>Set prepared for DORMOTION</b>	1,100	2,180	8 – 13.5 mm	<b>36.300</b>	
	<i>for wall installation</i> incl. track profile, cover profile and brushes, accessory set, end caps	1,450	2,880	8 – 13.5 mm	<b>36.301</b>	
	<b>MUTO Comfort L 80</b> <b>Set prepared for DORMOTION</b>	1,100	2,180	8 – 13.5 mm	<b>36.302</b>	
	<i>for ceiling installation</i> incl. track profile, cover profile and brushes, accessory set, end caps	1,450	2,880	8 – 13.5 mm	<b>36.303</b>	
	<b>MUTO Comfort L 80</b> <b>Set prepared for DORMOTION</b>	<b>Clear opening width</b> 1,050 1,250	<b>Panel width</b> 1,110 1,310	<b>Profile length</b> 2,287 2,687	<b>Glass thickness</b> 8 – 13.5 mm 8 – 13.5 mm	<b>Art. No.</b> <b>36.304</b> <b>36.305</b>
	<i>for glass installation</i> incl. track profile, cover profile and brushes, counter profile, accessory set, end caps	max. 80 kg	<b>Note:</b> Please take note of glass preparation on page 37			

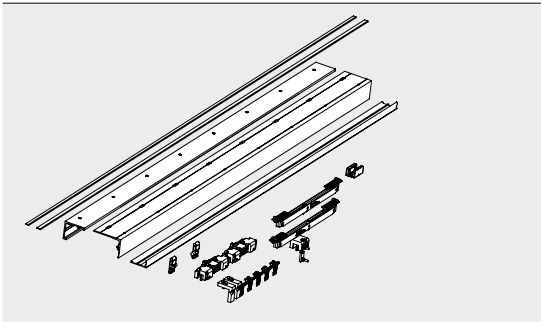
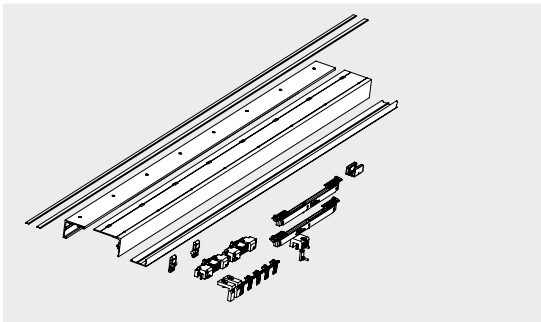
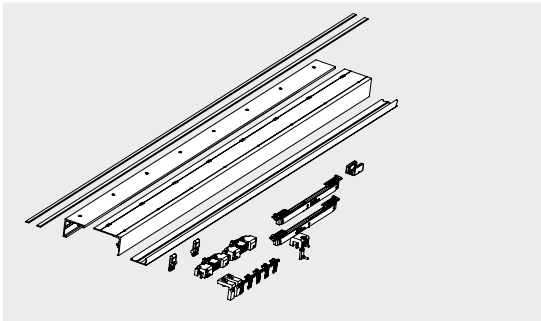
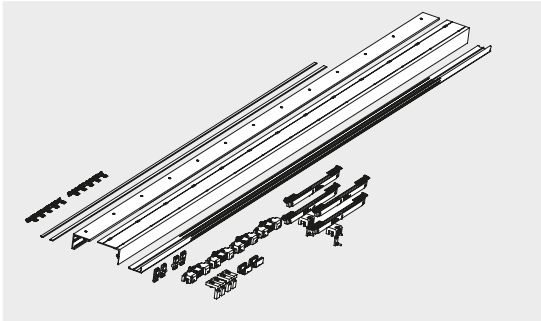
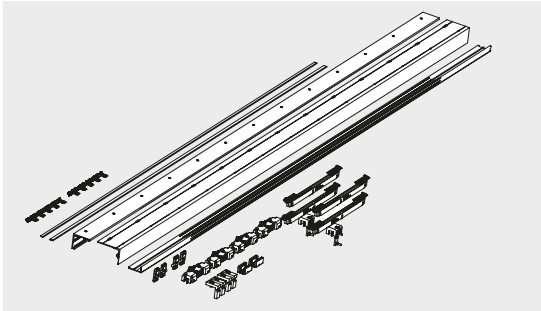
# Complete sets - individual lengths

	Product description	Glass thickness	Art. No.
	<p><b>MUTO Comfort L 80</b>  <b>Complete set prepared for DORMOTION</b>  <b>Complete set incl. DORMOTION</b>  <i>for wall installation</i>  <b>Individual profile length up to max. 5,940 mm</b>            incl. track profile, cover profile and brushes, accessory set, end caps</p> <p>max. 80 kg</p> <p>Please indicate clear opening width or track length with order!</p>	8 – 13.5 mm	<b>36.320</b> <b>36.326</b>
	<p><b>MUTO Comfort L 80</b>  <b>Complete set prepared for DORMOTION</b>  <b>Complete set incl. DORMOTION</b>  <i>for ceiling installation</i>  <b>Individual profile length up to max. 5,940 mm</b>            incl. track profile, cover profile and brushes, accessory set, end caps</p> <p>max. 80 kg</p> <p>Please indicate clear opening width or track length with order!</p>	8 – 13.5 mm	<b>36.321</b> <b>36.327</b>
	<p><b>MUTO Comfort L 80</b>  <b>Complete set prepared for DORMOTION</b>  <i>fixed at ceiling, silight</i>  <b>individual profile length up to max. 5,940 mm</b>            incl. track profile, cover profile, silight profile, view protection profile, filler profile, brushes, accessory set, end caps</p> <p>max. 80 kg</p> <p>Please indicate track length with order!</p>	8 – 13.5 mm	<b>36.306</b>
	<p><b>MUTO Comfort L 80</b>  <b>Complete set prepared for DORMOTION</b>  <b>Complete set incl. DORMOTION</b>  <i>for glass installation</i>  <b>Individual profile length up to max. 4,067 mm</b>            incl. track profile, cover profile and brushes, counter profile, accessory set, end caps</p> <p>max. 80 kg</p> <p>Please indicate clear opening width with order!</p> <p><b>Note:</b> Please take note of glass preparation on page 37</p>	8 – 13.5 mm	<b>36.322</b> <b>36.328</b>

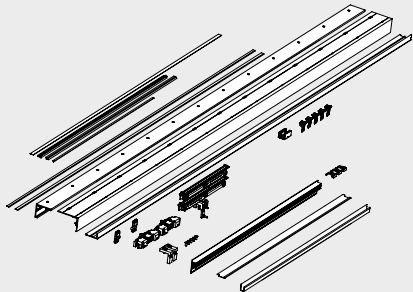
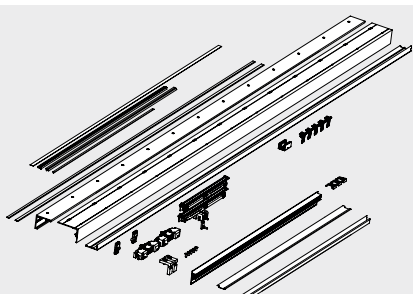
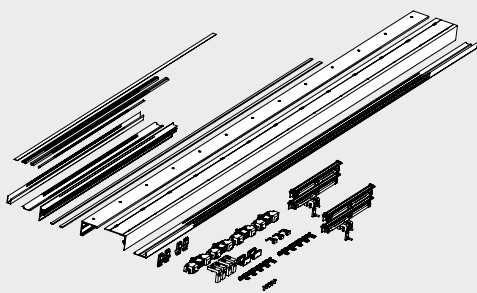
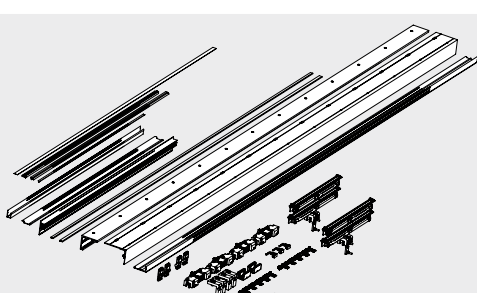
# Complete sets – individual lengths, double panel door

	Product description	Glass thickness	Art. No.
	<p><b>MUTO Comfort L 80</b>  <b>Complete set prepared for DORMOTION</b>  <b>Complete set incl. DORMOTION</b>  <b>double panel door</b>  <i>wall installation</i>  <b>Individual profile length up to max. 5,940 mm,</b>  incl. track profile, cover profile and brushes,  accessory sets, end caps</p> <p>max. 2 x 80 kg</p> <p>Please indicate clear opening width or track length with order!</p>	8 – 13,5 mm	<b>36.323</b> <b>36.329</b>
	<p><b>MUTO Comfort L 80</b>  <b>Complete set prepared for DORMOTION</b>  <b>Complete set incl. DORMOTION</b>  <b>double panel door</b>  <i>ceiling installation</i>  <b>Individual profile length up to max. 5,940 mm,</b>  incl. track profile, cover profile and brushes,  accessory sets, end caps</p> <p>max. 2 x 80 kg</p> <p>Please indicate clear opening width or track length with order!</p>	8 – 13,5 mm	<b>36.324</b> <b>36.330</b>
	<p><b>MUTO Comfort L 80</b>  <b>Complete set prepared for DORMOTION</b>  <b>Complete set incl. DORMOTION</b>  <b>double panel door</b>  <i>glass installation</i>  <b>Individual profile length up to max. 5,012 mm,</b>  incl. track profile, cover profile and brushes,  counter profile, accessory sets, end caps</p> <p>max. 2 x 80 kg</p> <p>Please indicate clear opening width with order!</p> <p><b>Note:</b>  Please take note of  glass preparation on page 38</p>	8 – 13,5 mm	<b>36.325</b> <b>36.331</b>

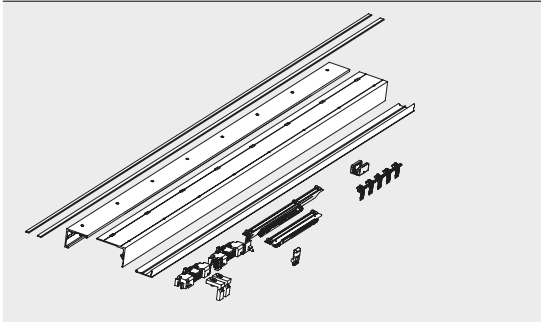
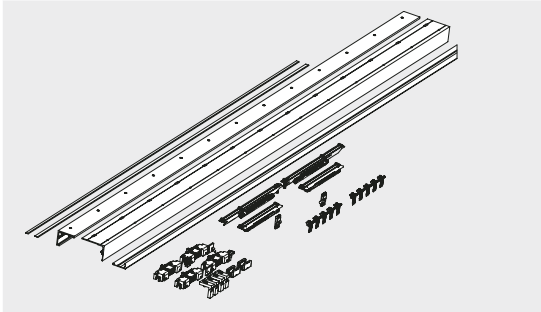
# Complete sets – installation in ceiling slot

	Product description	Panel width	Profile length	Glass thickness	Art. No.
	<b>MUTO Comfort L 80 Pocket Set for ceiling slot installation</b> incl. DORMOTION on both sides incl. all profiles, complete accessory	750	1,500	8 – 13.5 mm	<b>36.230</b>
		1,000	2,000	8 – 13.5 mm	<b>36.231</b>
	<b>MUTO Comfort L 80 Pocket Set for ceiling slot installation,</b> individual profile length, prepared for <b>overlapping panel on both sides</b> , incl. DORMOTION unit on both sides, incl. all profiles and complete accessory	Fixed dimension	Up to max. 4,000	8 – 13.5 mm	<b>36.232</b>
	<b>MUTO Comfort L 80 Pocket Set for ceiling slot installation,</b> individual profile length, prepared for <b>overlapping panel on one side</b> , incl. DORMOTION unit on both sides, incl. all profiles and complete accessory	Fixed dimension	Up to max. 4,000	8 – 13.5 mm	<b>36.240</b>
	<b>MUTO Comfort L 80 Pocket Set for ceiling slot installation,</b> <b>double panel door,</b> incl. DORMOTION unit on both sides, incl. all profiles and complete accessory	2 x 750	3,000	8 – 13.5 mm	<b>36.233</b>
		2 x 1,000	4,000	8 – 13.5 mm	<b>36.234</b>
	<b>MUTO Comfort L 80 Pocket Set for ceiling slot installation,</b> <b>double panel door,</b> individual profile length, incl. DORMOTION unit on both sides, incl. all profiles and complete accessory	Fixed dimension	Up to max. 6,000	8 – 13.5 mm	<b>36.235</b>

# Complete sets - installation in ceiling slot with side panel

	Product description	Panel width	Profile length	Glass thickness	Art. No.
	<p><b>MUTO Comfort L 80 Pocket Set for ceiling slot installation, with side panel on one side,</b> individual profile length, prepared for overlapping panel on one side, incl. DORMOTION unit on both sides, incl. all profiles and complete accessory</p>	Fixed dimension	Up to max. 6,000	8 – 13.5 mm	<b>36.243</b>
	<p><b>MUTO Comfort L 80 Pocket Set for ceiling slot installation, with side panel on one side,</b> individual profile length, prepared for overlapping panel on both sides, incl. DORMOTION unit on both sides, incl. all profiles and complete accessory</p>	Fixed dimension	Up to max. 6,000	8 – 13.5 mm	<b>36.275</b>
	<p><b>MUTO Comfort L 80 Pocket Set for ceiling slot installation, with side panel on both sides,</b> individual profile length, prepared for overlapping panel on both sides, incl. DORMOTION unit on both sides, incl. all profiles and complete accessory</p>	Fixed dimension	Up to max. 6,000	8 – 13.5 mm	<b>36.276</b>
	<p><b>MUTO Comfort L 80 Pocket Set for ceiling slot installation, double panel door, with side panels</b> individual profile length, prepared for overlapping panel on one side, incl. DORMOTION unit on both sides, incl. all profiles and complete accessory</p>	Fixed dimension	Up to max. 6,000	8 – 13.5 mm	<b>36.244</b>

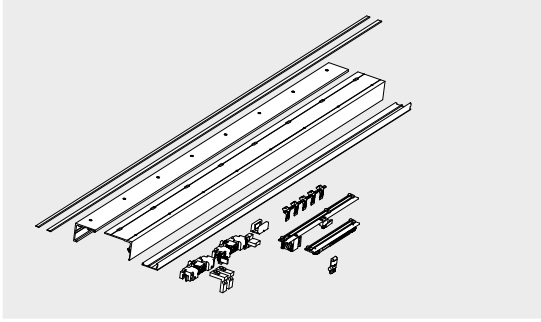
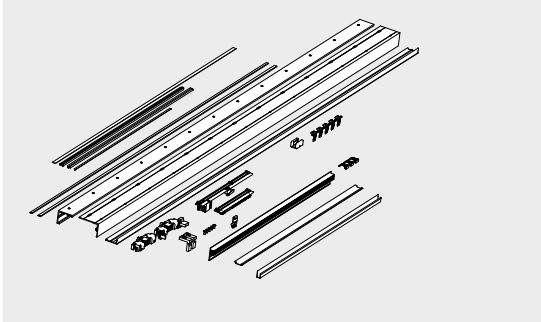
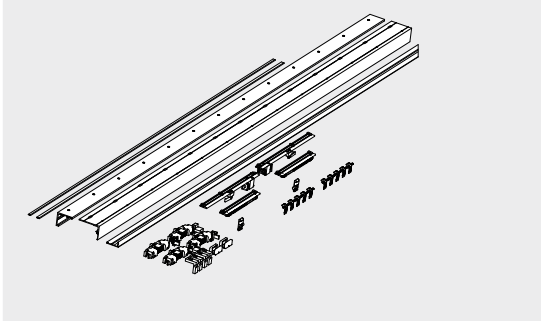
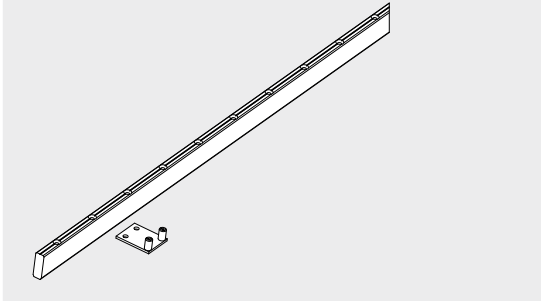
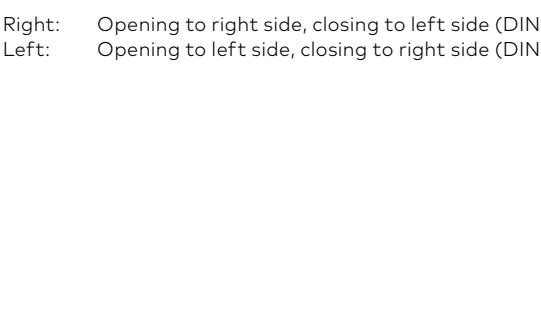
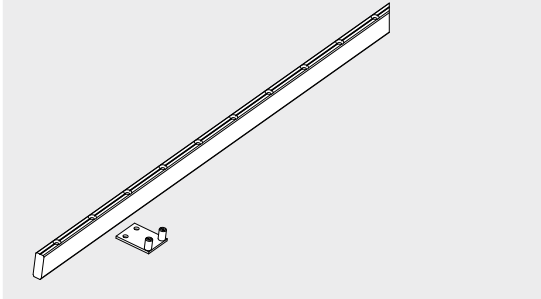
# Complete sets - door movable in wall pocket

	Product description	DIN	Panel width	Profile length	Glass thickness	Art. No.
	<b>MUTO Comfort L 80 Pocket</b>	right	750	1,500	8 – 13.5 mm	<b>36.236</b>
		left	750	1,500	8 – 13.5 mm	<b>36.237</b>
	<b>Sliding door set for wall pocket installation,</b>	right	1,000	2,000	8 – 13.5 mm	<b>36.238</b>
		left	1,000	2,000	8 – 13.5 mm	<b>36.239</b>
	incl. DORMOTION unit on both sides,	right	Fixed dimension	Up to max. 4,000	8 – 13.5 mm	<b>36.245</b>
	incl. all profiles and complete accessory	left	Fixed dimension	Up to max. 4,000	8 – 13.5 mm	<b>36.246</b>
	<b>MUTO Comfort L 80 Pocket</b>	right	Fixed dimension	Up to max. 6,000	8 – 13.5 mm	<b>36.247</b>
	<b>Sliding door set for wall pocket installation, with side panel,</b>	left	Fixed dimension	Up to max. 6,000	8 – 13.5 mm	<b>36.248</b>
	<b>MUTO Comfort L 80 Pocket</b>		Fixed dimension	Up to max. 6,000	8 – 13.5 mm	<b>36.249</b>
	<b>Sliding door set for wall pocket installation, double panel door,</b>		Fixed dimension	Up to max. 6,000		
	incl. DORMOTION unit on both sides,					
	incl. all profiles and complete accessory					

Right: Opening to right side, closing to left side (DIN Left)  
 Left: Opening to left side, closing to right side (DIN Right)



# Complete sets - door movable in wall pocket

for glass doors (8 – 13.5 mm) and for timber doors (28 – 40 mm)	Product description	DIN	Panel width	Profile length	Glass thickness	Art. No.
	<b>MUTO Comfort</b>	right	750	1,500	8 – 13.5 mm	<b>36.164</b>
	<b>L 80 Pocket</b>	left	750	1,500	8 – 13.5 mm	<b>36.160</b>
	<b>Sliding door set for</b>	right	1,000	2,000	8 – 13.5 mm	<b>36.165</b>
	<b>wall pocket</b>	left	1,000	2,000	8 – 13.5 mm	<b>36.161</b>
	<b>installation,</b>	right	Fixed	Up to max.	8 – 13.5 mm	<b>36.166</b>
	incl. DORMOTION		dimension	4,000		
	unit in closing	left	Fixed	Up to max.	8 – 13.5 mm	<b>36.162</b>
	direction and Push-		dimension	4,000		
	to-open unit in					
	opening direction					
	incl. all profiles					
	and accessories					
	<b>MUTO Comfort</b>	right	Fixed	Up to max.	8 – 13.5 mm	<b>36.167</b>
	<b>L 80 Pocket</b>		dimension	6,000		
	<b>Sliding door set for</b>	left	Fixed	Up to max.	8 – 13.5 mm	<b>36.163</b>
	<b>wall pocket instal-</b>		dimension	6,000		
	<b>lation, with side</b>					
	<b>panel,</b>					
	incl. DORMOTION					
	unit in closing					
	direction and Push-					
	to-open unit in					
	opening direction					
	incl. all profiles					
	and accessories					
	<b>MUTO Comfort</b>		Fixed	Up to max.	8 – 13.5 mm	<b>36.168</b>
	<b>L 80 Pocket</b>		dimension	6,000		
	<b>Sliding door set for</b>		Fixed	Up to max.		
	<b>wall pocket</b>		dimension	6,000		
	<b>installation,</b>					
	double panel door,					
	incl. DORMOTION					
	unit in closing					
	direction and Push-					
	to-open unit in					
	opening direction					
	incl. all profiles					
	and accessories					
	<b>MUTO Comfort</b>			1,460		<b>36.346</b>
	<b>L 80 Pocket</b>					
	<b>Adapter profile for</b>					
	<b>timber door panels</b>					
	<b>profile 12.5 x 36</b>					
	<b>mm</b>					
	incl. accessories					
	(wall pocket floor					
	guide for timber					
	doors)					

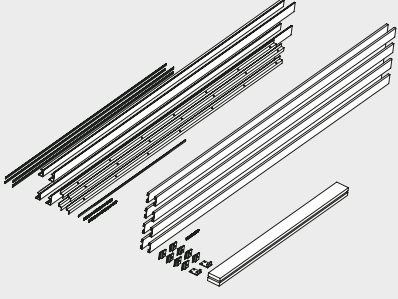
Right: Opening to right side, closing to left side (DIN Left)

Left: Opening to left side, closing to right side (DIN Right)

# Profile kits for wall pocket construction

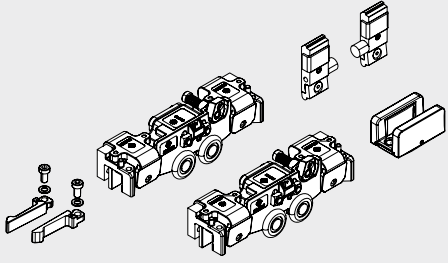
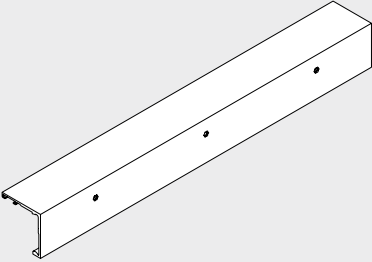
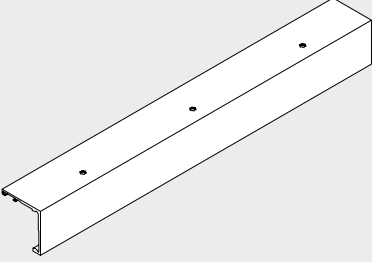
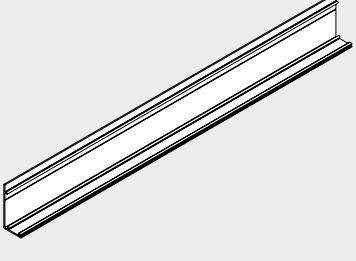
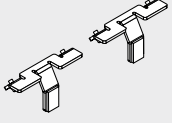
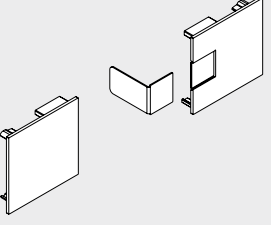
for glass doors (8 – 13.5 mm) and for timber doors (28 – 40 mm)	Product description	Panel width	Art. No.
	<p><b>MUTO Comfort L 80 Pocket</b> Profile kit for wall pocket construction for glass doors Door height up to 2250 mm incl. 2 x vertical profiles with brush sealings and special floor guide - integrated into wall pocket (designed for usual dry-wall constructions of 100 mm inner and 150 mm outer dimension).</p>	<p>≤ 750 mm &gt; 750 mm (max. 1,500 mm)</p>	<p><b>36.284</b> <b>36.285</b></p>
	<p><b>MUTO Comfort L 80 Pocket</b> Profile kit for wall pocket construction for glass doors, double panel door Door height up to 2250 mm incl. 2 x vertical profiles with brush sealings and special floor guide - integrated into wall pocket (designed for usual dry-wall constructions of 100 mm inner and 150 mm outer dimension).</p>	<p>≤ 750 mm &gt; 750 mm (max. 1,500 mm)</p>	<p><b>36.286</b> <b>36.287</b></p>
	<p><b>MUTO Comfort L 80 Pocket</b> Profile kit for wall pocket construction for glass doors Door height up to 2251 – 2800 mm incl. 2 x vertical profiles with brush sealings and special floor guide - integrated into wall pocket (designed for usual dry-wall constructions of 100 mm inner and 150 mm outer dimension).</p>	<p>≤ 750 mm &gt; 750 mm (max. 1,500 mm)</p>	<p><b>36.280</b> <b>36.281</b></p>
	<p><b>MUTO Comfort L 80 Pocket</b> Profile kit for wall pocket construction for glass doors, double panel door Door height up to 2251 – 2800 mm incl. 2 x vertical profiles with brush sealings and special floor guide - integrated into wall pocket (designed for usual dry-wall constructions of 100 mm inner and 150 mm outer dimension).</p>	<p>≤ 750 mm &gt; 750 mm (max. 1,500 mm)</p>	<p><b>36.282</b> <b>36.283</b></p>

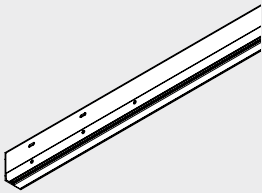
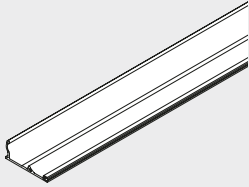
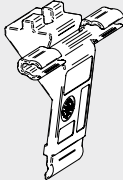
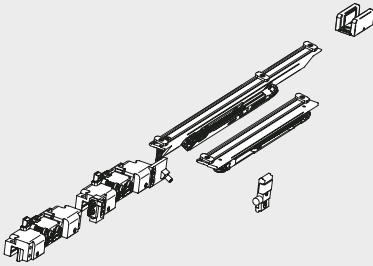
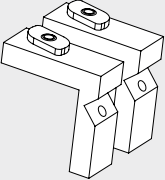
# Profile kits for wall pocket construction

for glass doors (8 – 13.5 mm) and for timber doors (28 – 40 mm)	Product description	Panel width	Art. No.
	<p><b>MUTO Comfort L 80 Pocket</b> Profile kit for wall pocket construction for timber doors Door height up to 2250 mm incl. 2 x vertikal profiles with brush sealings and special floor guide - integrated into wall pocket (designed for usual dry-wall constructions of 100 mm inner and 150 mm outer dimension).</p>	<p>≤ 750 mm &gt; 750 mm (max. 1,500 mm)</p>	<p><b>36.288</b> <b>36.289</b></p>
	<p><b>MUTO Comfort L 80 Pocket</b> Profile kit for wall pocket construction for timber doors, double panel door, Door height up to 2250 mm incl. 2 x vertikal profiles with brush sealings and special floor guide - integrated into wall pocket (designed for usual dry-wall constructions of 100 mm inner and 150 mm outer dimension).</p>	<p>≤ 750 mm &gt; 750 mm (max. 1,500 mm)</p>	<p><b>36.290</b> <b>36.291</b></p>
	<p><b>MUTO Comfort L 80 Pocket</b> Profile kit for wall pocket construction for timber doors Door height up to 2251 – 2800 mm incl. 2 x vertikal profiles with brush sealings and special floor guide - integrated into wall pocket (designed for usual dry-wall constructions of 100 mm inner and 150 mm outer dimension).</p>	<p>≤ 750 mm &gt; 750 mm (max. 1,500 mm)</p>	<p><b>36.292</b> <b>36.293</b></p>
	<p><b>MUTO Comfort L 80 Pocket</b> Profile kit for wall pocket construction for timber doors, double panel door, Door height up to 2251 – 2800 mm incl. 2 x vertikal profiles with brush sealings and special floor guide - integrated into wall pocket</p>	<p>≤ 750 mm &gt; 750 mm (max. 1,500 mm)</p>	<p><b>36.294</b> <b>36.295</b></p>

# Space for your notes

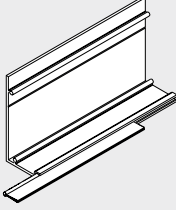
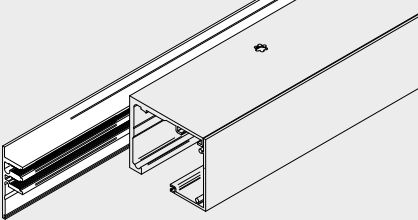
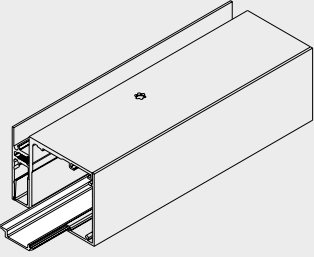
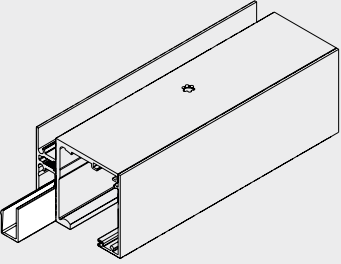
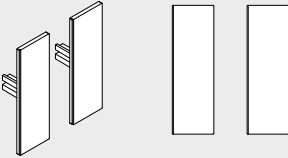
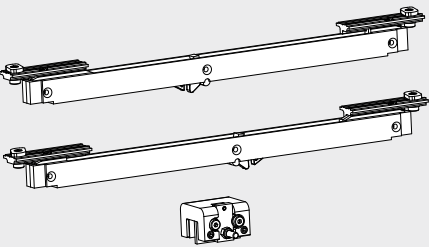
# Component parts

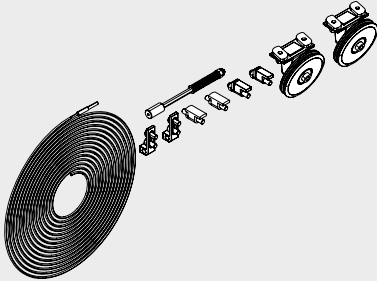
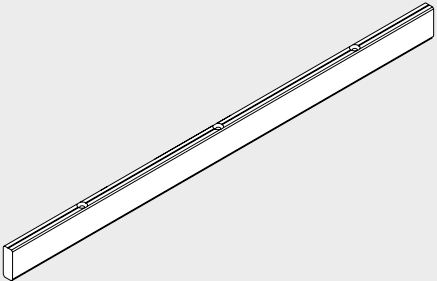
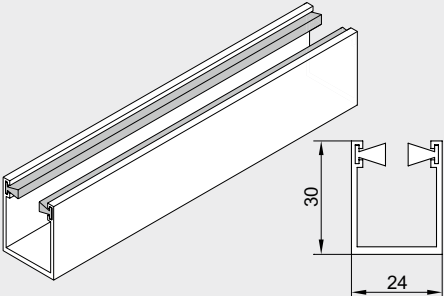
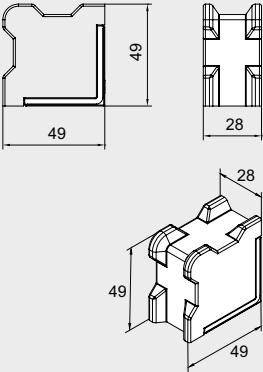
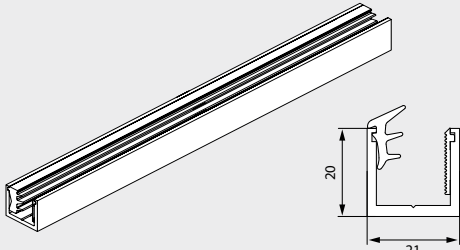
	Product description	Art. No.
	<p><b>Accessory set</b>  <b>Consisting of:</b>            2 Clamp carriers            2 Endstops            1 Floor guide</p>	<p><b>36.349</b></p>
	<p><b>Track rail</b>  <i>for wall installation</i></p> <p>stock length 6,000 mm            fixed length</p>	<p><b>36.350</b>  <b>36.351</b></p>
	<p><b>Track rail</b>  <i>for ceiling installation</i></p> <p>stock length 6,000 mm            fixed length</p>	<p><b>36.352</b>  <b>36.353</b></p>
	<p><b>Cover profile</b></p> <p>stock length 6,000 mm            fixed length</p>	<p><b>36.359</b>  <b>36.360</b></p>
	<p><b>MUTO spacer (2 pieces)</b>  <i>for installation between two walls</i></p>	<p><b>36.890</b></p>
	<p><b>MUTO Comfort L 80</b>  <b>Set endcaps</b>  <i>for wall and ceiling installation</i></p>	<p><b>36.354</b></p>

	Product description	DIN	Art. No.
	<b>MUTO Comfort L 80 Pocket Pocket profile</b>  stock length 6,000 mm fixed length		<b>36.332</b> <b>36.333</b>
	<b>MUTO Comfort L 80 Pocket Cover profile</b>  stock length 6,000 mm fixed length		<b>36.334</b> <b>36.335</b>
	<b>MUTO Comfort L 80 Pocket Fixing clips for bottom cover profile fixing (5 Pcs.)</b>		<b>36.442</b>
	<b>MUTO Comfort L 80 Pocket Accessory set for ceiling slot solution</b>		<b>36.338</b>
	<b>MUTO Comfort L 80 Pocket Accessory set for wall pocket solu- tion complete</b> incl. 2 x DORMOTION unit	right	<b>36.340</b>
		left	<b>36.341</b>
	<b>MUTO Comfort L 80 Pocket Accessory set for wall pocket solution complete</b> incl. 1 x DORMOTION unit and 1 x Push-to-open unit	right	<b>36.342</b>
		left	<b>36.343</b>
	<b>MUTO Comfort L 80 Pocket Installation support set (2 brackets)</b>		<b>36.440</b>

Right: Opening to right side, closing to left side (DIN Left)  
Left: Opening to left side, closing to right side (DIN Right)

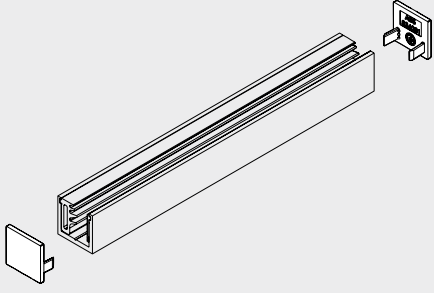
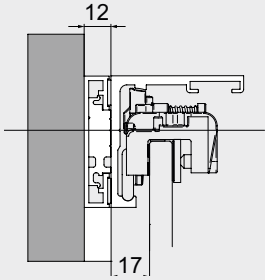
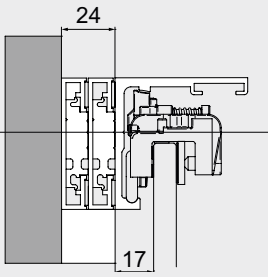
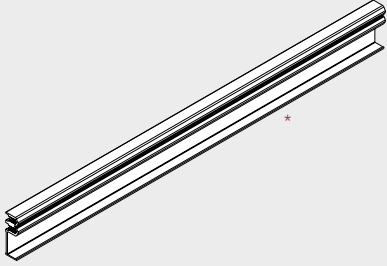
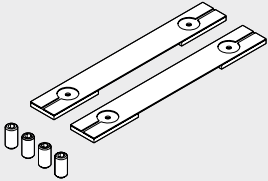
# Component parts

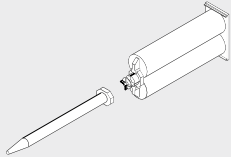
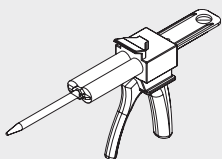
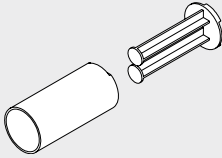
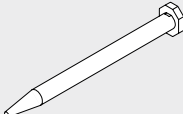
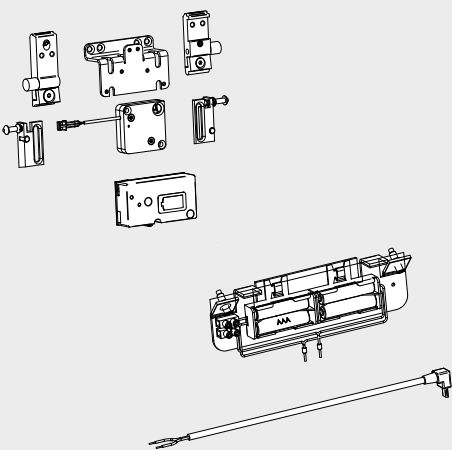
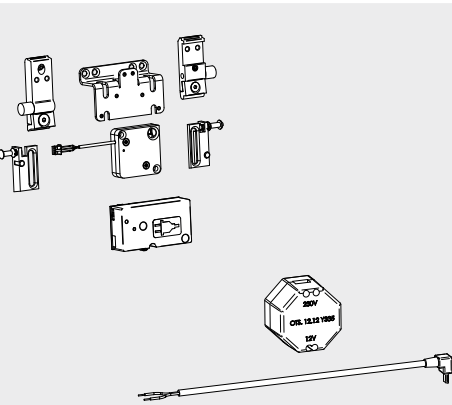
	Product description	Art. No.
	<b>MUTO</b> <b>Brush profile set</b> for Comfort L and Premium XL <b>Consisting of:</b> 1 Brush profile 8 – 10 mm glass 1 brush profile 12 – 13.5 mm glass	<b>36.265</b>
	<b>MUTO Comfort M 60 + L 80</b> <b>Side light profile</b> 58 mm height, with gaskets, for 8 – 13.5 mm glass  When installing between two walls, please give particular attention to the width of the end covers (each 2 mm).	<b>36.271</b> <b>36.274</b>
	<b>MUTO</b> <b>Filling profile</b> for Comfort L, Premium XL and Self-Closing, for side light profile  stock length 6,000 mm fixed length	<b>36.800</b> <b>36.801</b>
	<b>MUTO</b> <b>Filling profile</b> for Comfort M + L, Premium XL and Self-Closing,  stock length 6,000 mm fixed length	<b>36.802</b> <b>36.803</b>
	<b>MUTO Comfort M 60 + L 80</b> <b>End caps</b> for side light profile, 58 mm height each 2 mm width (When installing between two walls, please give particular attention to it.)	
	<b>DORMOTION unit</b> Panel width min 660 mm, for max. 80 kg, incl. starter  When using a DORMOTION damping unit, we recommend installation of a pull handle.	<b>36.361</b> <b>Optional</b>

	Product description	Glass thickness	Art. No.
	<p><b>MUTO Comfort L 80 Synchro set</b>  <b>Consisting of:</b>            1 Wire            2 Pulley</p> <p>Max. 80 kg per panel</p>		<p><b>36.357</b>  <b>Optional</b></p>
	<p><b>MUTO Comfort L 80 Timber adapter set</b>            Profil 12.5 x 36 mm,            incl. Accessories (with timber floor guide)</p> <p>1,460 mm            fixed length</p> <p>Please indicate the wooden door leaf width when ordering!</p>		<p><b>36.261</b>  <b>36.262</b></p>
	<p><b>MUTO Premium XL 80/150 Subsurface floor guide track rail with brushes</b></p> <p>stock length 6,000 mm            fixed length</p>		<p><b>36.561</b>  <b>36.562</b></p>
	<p><b>MUTO Comfort Floorstop</b>            for Comfort L            and Premium XL,            for glass- oder timber side light</p>		<p><b>36.851</b></p>
	<p><b>MUTO Floor profile</b>            for Comfort M + L and Premium XL,            for fixing side light,            with gaskets, incl. end caps</p> <p>stock length 6,000 mm            fixed length</p>	<p>8 – 13.5 mm</p>	<p><b>36.810</b>  <b>36.811</b></p>

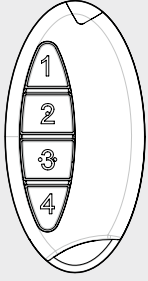
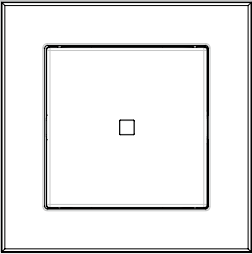
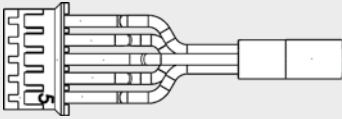
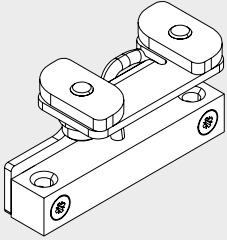
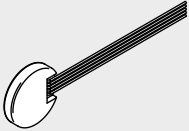


# Component parts

	Product description	Art. No.
	<p><b>MUTO</b>  <b>End caps (2 pieces)</b>            for Comfort M + L and Premium XL,            for Floor profile,            for fixing side light</p>	<p><b>36.812</b></p>
	<p><b>MUTO Comfort - balance profile set</b>            12 mm, for installation over an existing door            frame; compensates for the frame thickness;            fixed length</p>	<p><b>36.872</b></p>
	<p><b>MUTO Comfort - balance profile set</b>            24 mm, for installation over an existing door            frame; compensates for the frame thickness;            fixed length</p>	<p><b>36.873</b></p>
	<p><b>MUTO Comfort</b>            Connecting profile for false ceiling,            incl. accessory set</p> <p>stock length 6,000 mm            fixed length</p> <p>To be bolted on site to the track rail.</p>	<p><b>36.821</b>  <b>36.820</b></p>
	<p><b>MUTO Comfort L 80</b>  <b>LSG set</b>            Accessory set for use with LSG            for one pair of clamp carrier</p> <p><b>Consisting of:</b>            2 Gaskets            4 Injector screw</p> <p>Please order the LSG glue 07.631 separately</p>	<p><b>36.270</b></p>

	Product description	Art. No.
	<p><b>Special adhesive for use with LSG</b> The contents of the cartridge are sufficient for 10 clamp carriers (varies if the nozzle contents have dried out!) If necessary, order additional spare nozzles (art. no. 07630).</p>	<p><b>07.631</b></p>
	<p><b>Automix gun for LSG</b> Use in combination with article 07.631</p>	<p><b>07.629</b></p>
	<p><b>Automix adapter for LSG</b> Use in combination with article 07.631 (for use with a commercially available silicone syringe)</p>	<p><b>07.628</b></p>
	<p><b>Spare nozzle for LSG</b> Use in combination with article 07.631</p>	<p><b>07.630</b></p>
	<p><b>MUTO Integrated locking device Battery</b> for Comfort L, Premium XL, Premium Self-Closing and Premium Telescopic (not suitable as a security barrier) <b>Consisting of:</b> 1 receiver unit 1 mounting bracket for locking 1 locking device 1 stopper XL 4 batteries (Energizer L92 Ultimate Lithium: AAA1.5V) 1 battery carrier <b>Attention:</b> Not suitable for Synchro version.</p>	<p><b>36.859</b></p>
	<p><b>Battery (set of 4)</b> for re-ordering</p> <p><b>MUTO Integrated locking device Battery</b> for Comfort L, Premium XL, Premium Self-Closing and Premium Telescopic (not suitable as a security barrier) <b>Consisting of:</b> 1 receiver unit 1 mounting bracket for locking 1 locking device 1 stopper XL  Transformer, suitable for flush-mounted box <b>Attention:</b> Not suitable for Synchro version.</p>	<p><b>36.886</b></p> <p><b>36.885</b></p>

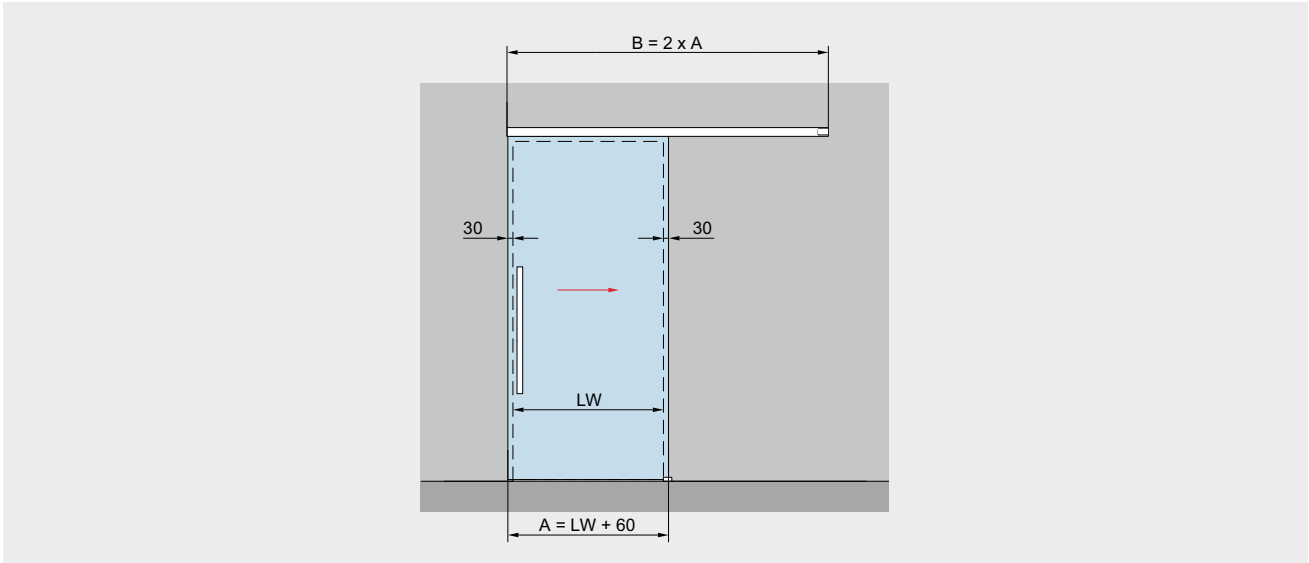
# Component parts

	Product description	Art. No.
	<p><b>MUTO</b> <b>Radio remote control</b> for Comfort L, Premium XL and Self-Closing,</p> <p>1 Radio remote control 1 Battery</p>	<b>36.848</b>
	<p><b>MUTO</b> <b>Wall switch with radio remote control</b> for Comfort L, Premium XL and Self-Closing,</p> <p>1 Wall switch 1 Battery</p>	<b>36.849</b>
	<p><b>MUTO</b> <b>Accessory for locking unit</b> for Comfort L, Premium XL and Self-Closing,</p> <p>1 cable set for an optional use of the status indicator integrated in the locking unit</p>	<b>36.855</b>
	<p><b>MUTO</b> <b>Status indicator set</b> for Comfort L and Premium XL</p> <p><b>Consisting of:</b> 1 Sensor 1 Adapter for track reception 1 Cable</p>	<b>36.840</b>
	<p><b>Concealed transmitter BRC-T</b> DORMA-GLAS bi-directional flush-mounted radio transmitter BRC-T, battery-operated, for installation in a switch with a deep flush-mounting box in conjunction with on-site push-button</p>	<b>29301003</b>

Vertical brush seals can be found on page 186

# Space for your notes

# Type illustrations wall installation

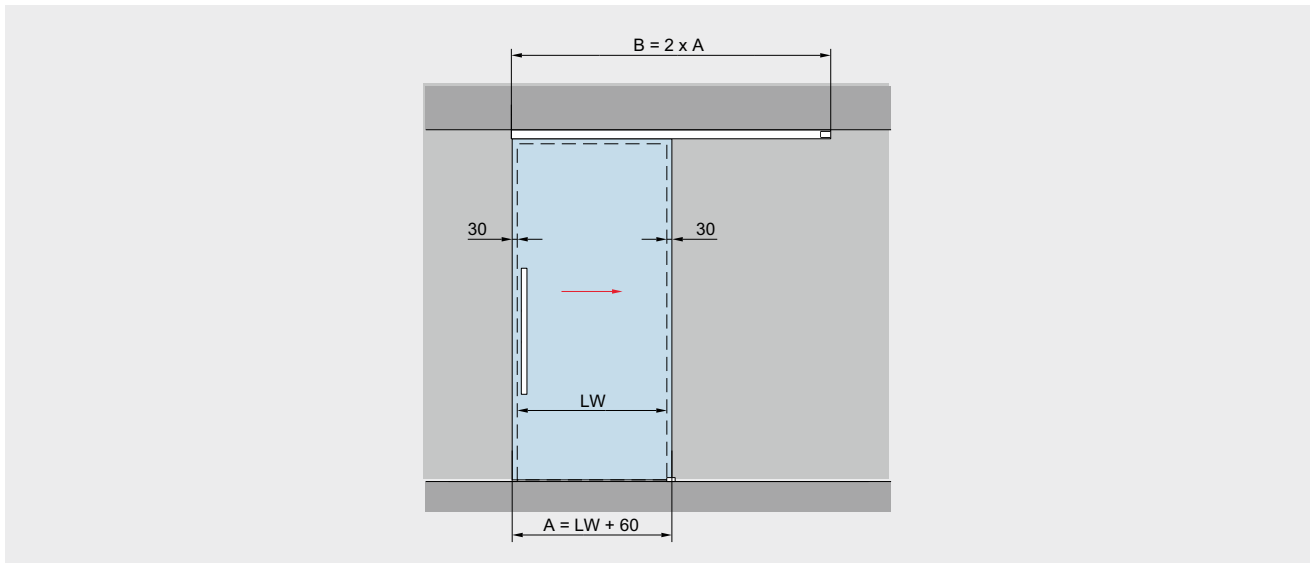


Fixed at wall	Product description	Glass thickness
	<p>For installation with one door panel</p> <p><b>Max. weight of door panels</b> 80 kg 150 kg</p> <p><b>Calculation of glass height</b> <math>GH1 = LH + 22 + X</math> mm max. 3,000 mm</p> <p><b>Calculation of glass width</b> <math>A = LW + 60</math> mm min. 660 mm max. 2,500 mm max. <math>2 \times 1,470</math> mm</p>	8 – 13.5 mm

- A = Glass width
- B = Length of track
- GH1 = Glass height sliding door
- H = Total height
- LH = Clear opening height

- LW = Clear opening width
- t1 = Glass thickness sliding door
- Y = 72 mm – 20 mm – t
- X = Freely selectable protrusion (depending on structural conditions)

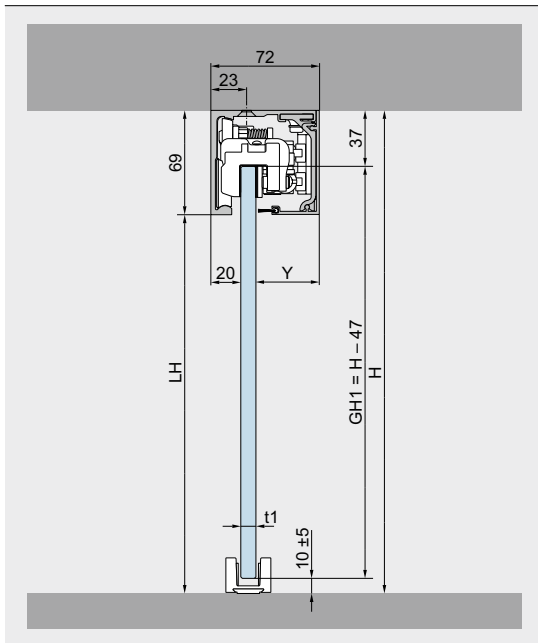
# Type illustrations ceiling installations



## Fixed at ceiling

## Product description

## Glass thickness



For installation with one door panel

8 – 13.5 mm

### Max. weight of door panels

80 kg  
150 kg

### Calculation of glass height

$GH1 = H - 47$  mm  
max. 3,000 mm

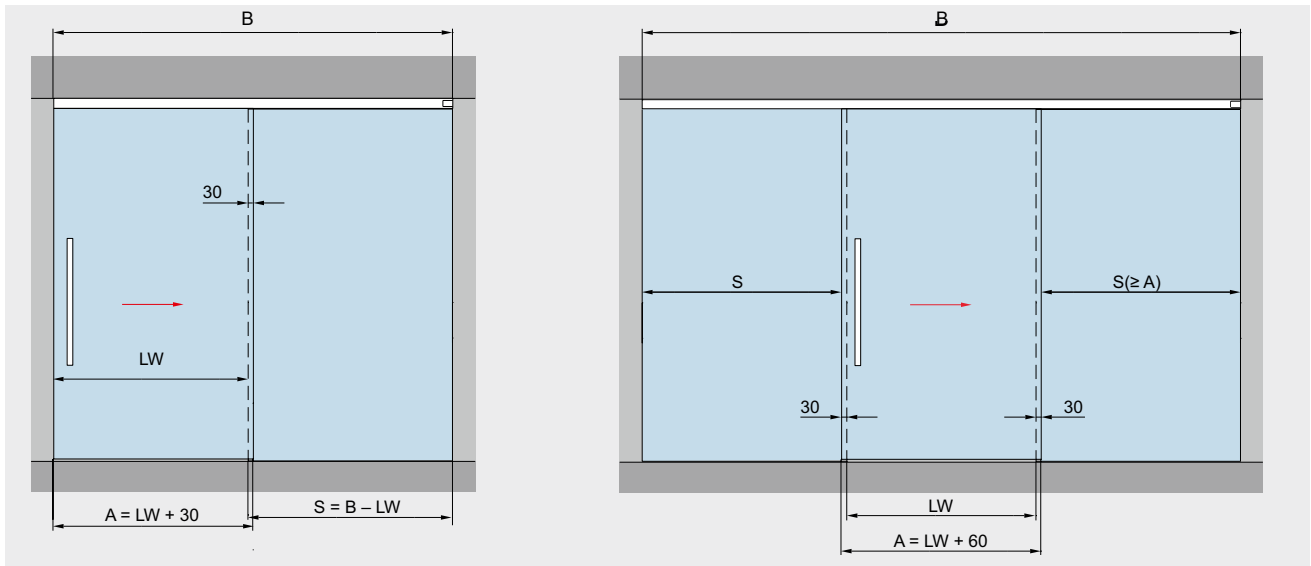
### Calculation of glass width

$A = LW + 60$  mm  
min. 660 mm  
max. 2,500 mm  
max.  $2 \times 1,470$  mm

A = Glass width  
B = Length of track  
GH1 = Glass height sliding door  
H = Total height

LH = Clear opening height  
LW = Clear opening width  
t1 = Glass thickness sliding door  
Y =  $72 \text{ mm} - 20 \text{ mm} - t$

# Type illustrations with sidelight

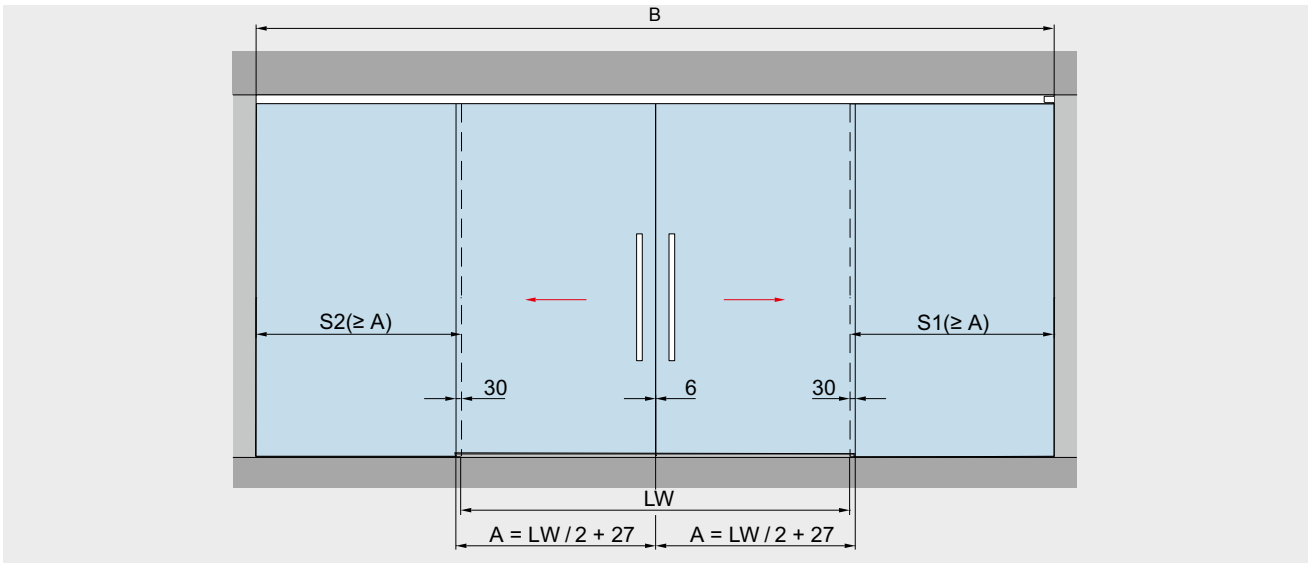


Fixed at ceiling	Fixed at false ceiling	Product description	Glass thickness
		<p>For installation with one door panel</p> <p><b>Max. weight of door panels</b> 80 kg 150 kg</p> <p><b>Calculation of glass height for installation at ceiling</b> GH1 = H - 47 mm GH2 = LH + 7 mm max. 3,000 mm</p> <p><b>Calculation of glass height for installation at false ceiling</b> GH1 = LH + 21 mm GH2 = LH + 7 mm max. 3,000 mm</p> <p><b>Calculation of glass width</b> A = LW + 30 mm min. 660 mm max. 2,500 mm</p>	8 – 13.5 mm

- A = Glass width
- B = Length of track
- GH1 = Glass height sliding door
- GH2 = Glass height sidelight
- H = Total height
- LH = Clear opening height

- LW = Clear opening width
- S = Glass width sidelight
- t1 = Glass thickness sliding door
- t2 = Glass thickness sidelight
- Y = 72 mm - 20 mm - t1

# Type illustrations with two door panels with sidelights



Fixed at ceiling	Fixed at false ceiling	Product description	Glass thickness
		<p>For installation with two door panels with sidelights</p> <p><b>Max. weight of door panels</b> 80 kg 150 kg</p> <p><b>Calculation of glass height for installation at ceiling</b> GH1 = H - 47 mm GH2 = LH + 7 mm max. 3,000 mm</p> <p><b>Calculation of glass height for installation at false ceiling</b> GH1 = LH + 21 mm GH2 = LH + 7 mm max. 3,000 mm</p> <p><b>Calculation of glass width</b> A = LW / 2 + 27 mm min. 660 mm max. 2 x 1,470 mm</p>	8 – 13.5 mm

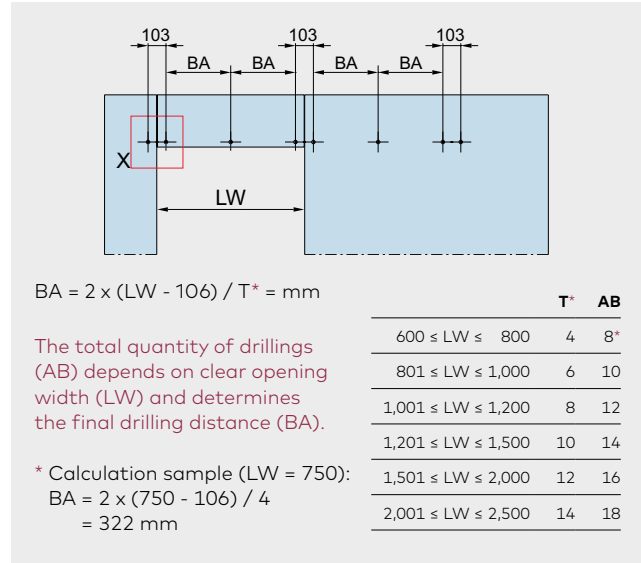
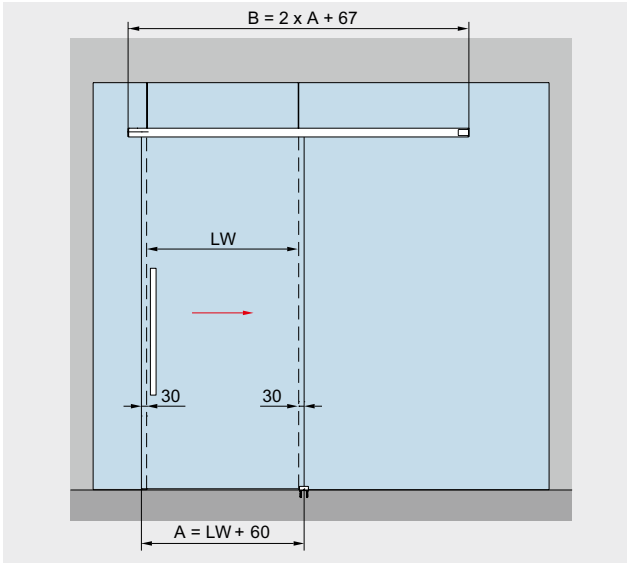
A = Glass width  
 B = Length of track  
 GH1 = Glass height sliding door  
 GH2 = Glass height sidelight  
 H = Total height

S1/S2 = Glass width sidelight  
 LH = Clear opening height  
 LW = Clear opening width  
 t1 = Glass thickness sliding door  
 t2 = Glass thickness sidelight

Y = 72 mm - 20 mm - t1



# Type illustrations glass installation



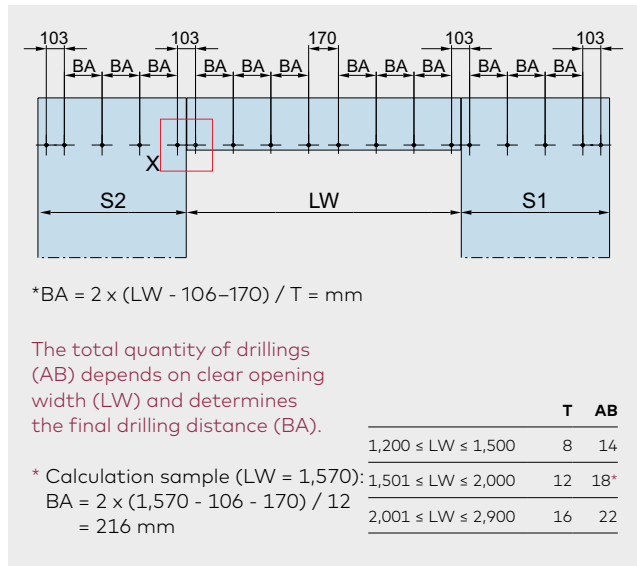
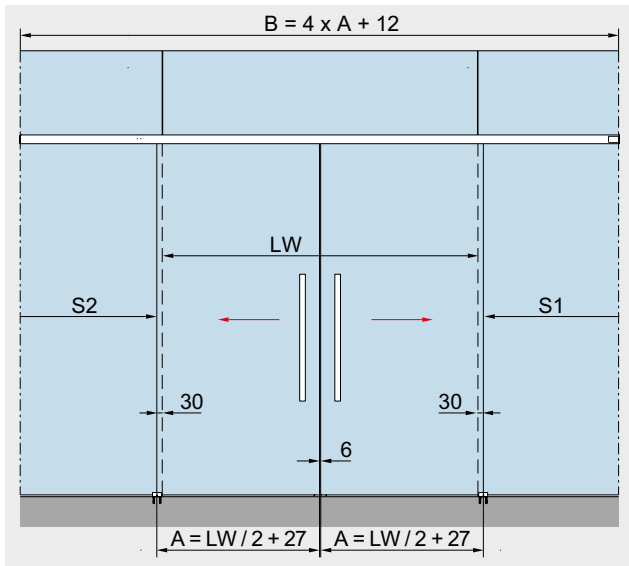
You will find a calculation tool for the glass preparation of the fixed parts MUTO on glass under the following link <https://glas-innovationen.com/glass-innovations/muto>

Glass preparation	Product description	Glass thickness
<p>Detail X</p>	For installation with one door panel  <b>Max. weight of door panels</b> 80 kg, 150 kg  <b>Calculation of glass height</b> $GH = LH + 22 \text{ mm}$ , max. 3,000 mm  <b>Calculation of glass width</b> $A = LW + 60 \text{ mm}$ min. 660 mm max. 2,500 mm	8 – 13.5 mm

Fixed at glass	Product description	XL 80	XL 150
	To ensure a correct and aligned mounting of the track rail, a fully supporting fixed panel must be installed.  <b>MUTO Premium</b>		
	min. glass width	660 mm	660 mm
	min. clear opening width	600 mm	600 mm
	max. Glass width	2,500 mm	2,500 mm
	max. Glass width	2,440 mm	2,440 mm

- A = Glass width
- AB = Quantity of drillings
- B = Length of track
- BA = Drilling distance
- H = Total height
- LH = Clear opening height
- LW = Clear opening width
- GH1 = Glass height sliding door
- T = Quantity of drillings distance signed with BA
- t1 = Glass thickness sliding door (8 – 13.5 mm)
- t2 = Glass thickness fixed panel (10 – 19 mm)
- Y = 72 mm – 20 mm – t1

# Type illustrations with two door panels fixed at glass



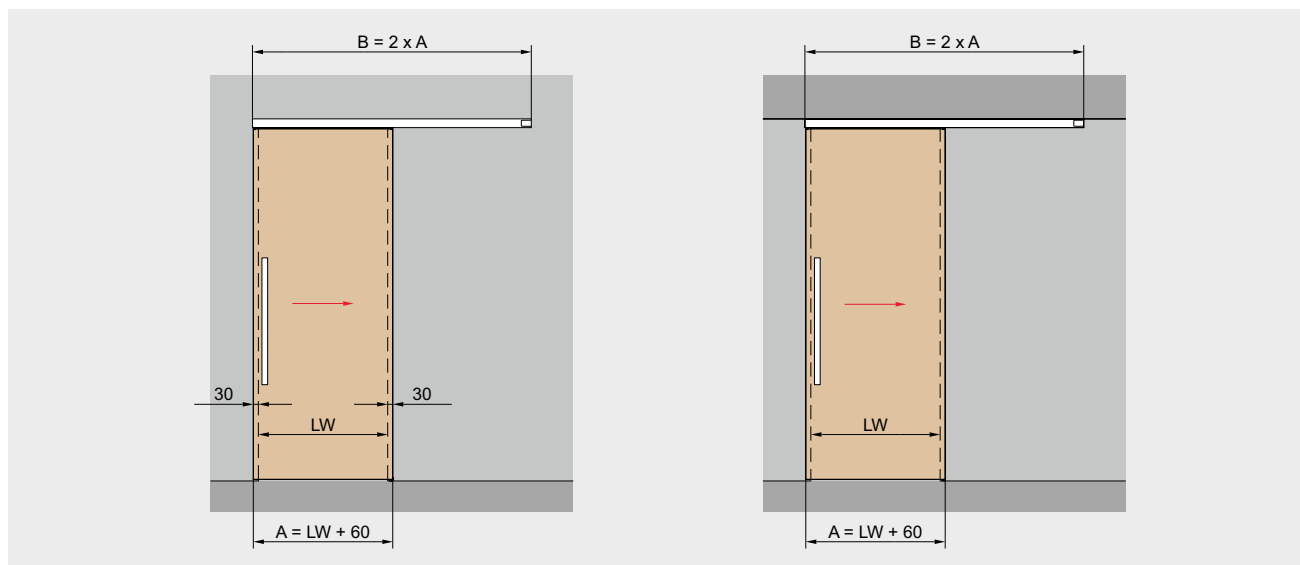
You will find a calculation tool for the glass preparation of the fixed parts MUTO on glass under the following link <https://glas-innovationen.com/glass-innovations/muto>

Glass preparation	Product description	Glass thickness
<p>Detail X</p>	For installation with two door panels with sidelights  <b>Max. weight of door panels</b> 80 kg, 150 kg  <b>Calculation of glass height</b> $GH = LH + 22 \text{ mm}$ , max. 3,000 mm  <b>Calculation of glass width</b> $A = LW / 2 + 27 \text{ mm}$ min. 660 mm max. 2,500	8 – 13.5 mm

Fixed at glass	Product description	XL 80	XL 150
	To ensure a correct and aligned mounting of the track rail, a fully supporting fixed panel must be installed.  <b>MUTO Premium</b>		
	min. glass width	660 mm	660 mm
	min. clear opening width	1,270 mm	1,270 mm
	max. Glass width	2,500 mm	2,500 mm
	max. Glass width	2,440 mm	2,440 mm

- A = Glass width
- AB = Quantity of drillings
- B = Length of track
- BA = Drilling distance
- H = Total height
- LH = Clear opening height
- LW = Clear opening width
- GH1 = Glass height sliding door
- S1/S2 = Glass width sidelight
- T = Quantity of drillings distance signed with BA
- t1 = Glass thickness sliding door (8 – 13.5 mm)
- t2 = Glass thickness fixed panel (10 – 19 mm)
- Y = 72 mm – 20 mm – t1

# Type illustrations for timber door applications



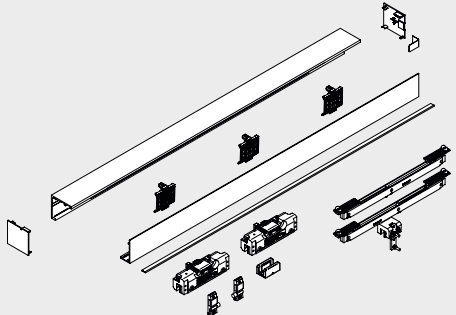
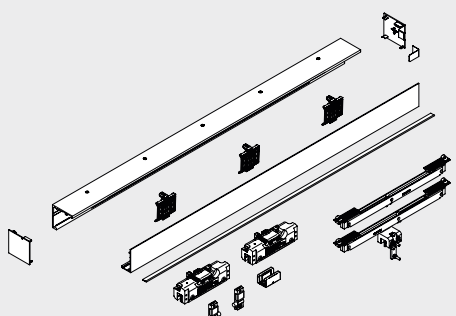
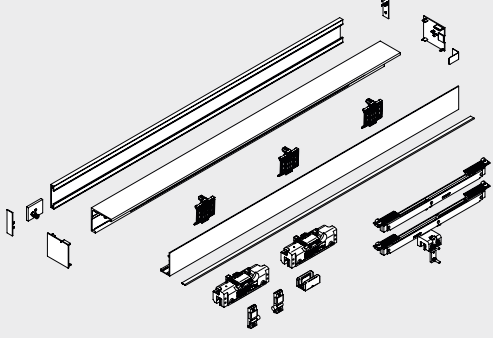
Fixed at wall	Fixed at ceiling	Product description	Wood thickness
		<p>For installation with one door panel</p> <p><b>Max. weight of door panels</b> 80 kg 150 kg</p> <p><b>Calculation of door height fixed at wall</b> <math>TH = LH - 18 + X</math> mm max. 3,000 mm</p> <p><b>Calculation of door height fixed at ceiling</b> <math>TH = H - 87</math> mm max. 3,000 mm</p> <p><b>Calculation of door width</b> <math>A = LW + 60</math> mm min. 660 mm max. <math>2 \times 1,470</math> mm</p>	28 – 50 mm
<p>* Timber door 100 mm, solid wood, for attachment to timber adapter.</p>			

A = Timber door width  
 B = Length of track  
 H = Total height  
 LH = Clear opening height

LW = Clear opening width  
 TH = Door height  
 U = Wood thickness  
 X = Freely selectable protrusion (depending on structural conditions)

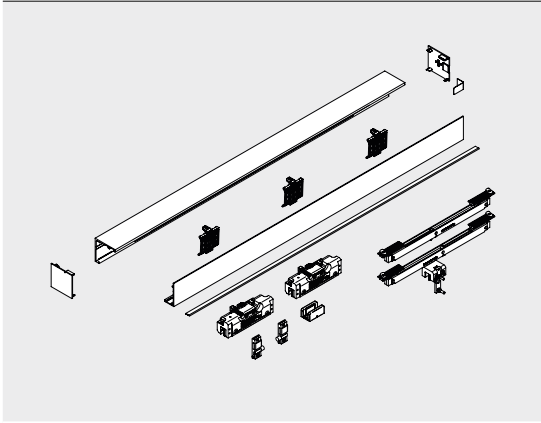
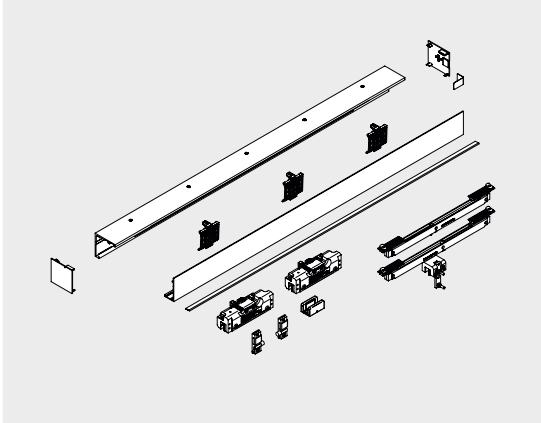
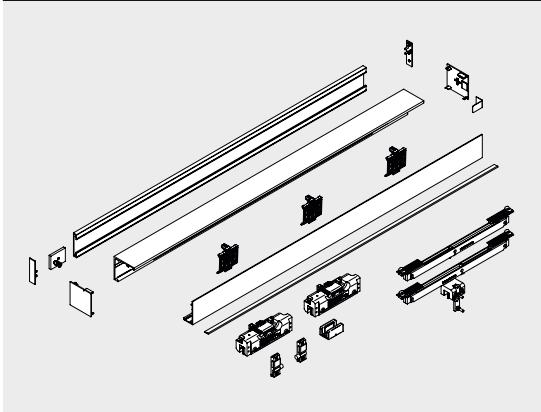
# Space for your notes

# Complete sets – defined lengths

	Product description	Panel width	Profile length	Glass thickness	Art. No.	
	<b>MUTO</b>	900	1,780	8 – 13.5 mm	<b>36.500</b>	
	<b>Premium XL 80</b>	1,200	2,380	8 – 13.5 mm	<b>36.501</b>	
	<b>Set for wall installation</b>	1,450	2,880	8 – 13.5 mm	<b>36.502</b>	
	incl. track profile, cover profile and brushes, DORMOTION unit*, accessory set, end caps					
	max. 80 kg					
	<b>MUTO</b>	900	1,780	8 – 13.5 mm	<b>36.503</b>	
	<b>Premium XL 80</b>	1,200	2,380	8 – 13.5 mm	<b>36.504</b>	
	<b>Set for ceiling installation</b>	1,450	2,880	8 – 13.5 mm	<b>36.505</b>	
	incl. track profile, cover profile and brushes, DORMOTION unit*, accessory set, end caps					
	max. 80 kg					
	Product description	Clear opening width	Panel width	Profile length	Glass thickness	Art. No.
	<b>MUTO Premium XL 80</b>	850	910	1,887	8 – 13.5 mm	<b>36.506</b>
	<b>Set for glass installation</b>	1,050	1,110	2,287	8 – 13.5 mm	<b>36.507</b>
	<b>installation</b>	1,250	1,310	2,687	8 – 13.5 mm	<b>36.508</b>
	incl. track profile, cover profile and brushes, counter profile, DORMOTION unit*, accessory set, end caps					
	max. 80 kg					

\*When using a DORMOTION damping unit, we recommend installation of a pull handle.

**Note:** Please take note of glass preparation on page 72

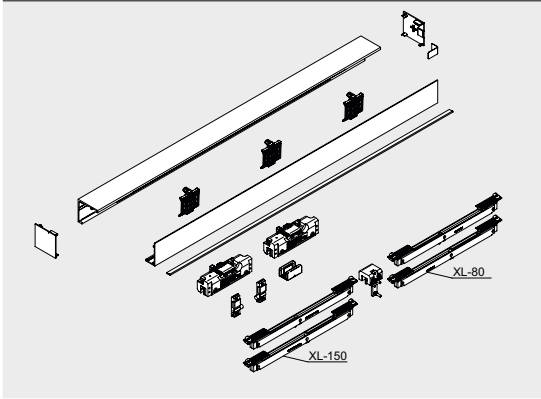
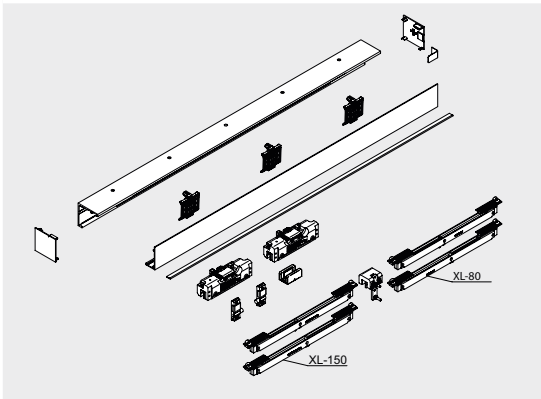
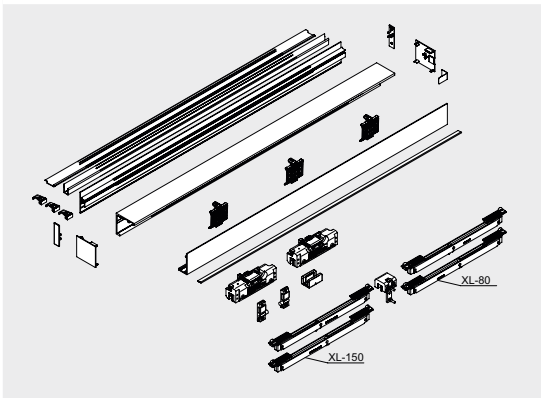
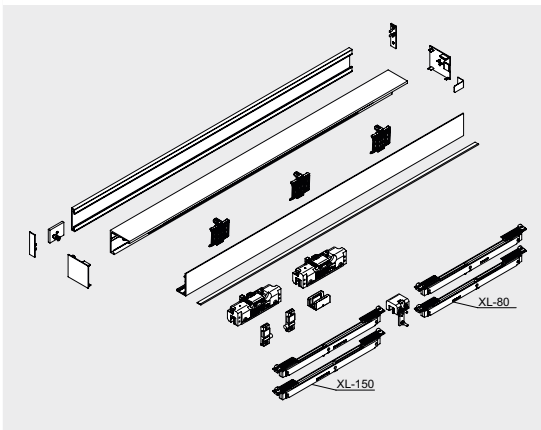
	Product description	Panel width	Profile length	Glass thickness	Art. No.	
	<b>MUTO Premium XL 150 Set for wall installation</b>	1,250 1,450	2,480 2,880	8 – 13.5 mm 8 – 13.5 mm	<b>36.509</b> <b>36.510</b>	
	incl. track profile, cover profile and brushes, DORMOTION unit*, accessory set, end caps  max. 150 kg					
	<b>MUTO Premium XL 150 Set for ceiling installation</b>	1,250 1,450	2,480 2,880	8 – 13.5 mm 8 – 13.5 mm	<b>36.511</b> <b>36.512</b>	
	incl. track profile, cover profile and brushes, DORMOTION unit*, accessory set, end caps  max. 150 kg					
	Product description	Clear opening width	Panel width	Profile length	Glass thickness	Art. No.
	<b>MUTO Premium XL 150 Set for glass installation</b>	1,250 1,400	1,310 1,460	2,687 2,987	8 – 13.5 mm 8 – 13.5 mm	<b>36.513</b> <b>36.514</b>
	incl. track profile, cover profile and brushes, counter profile, DORMOTION unit*, accessory set, end caps  max. 150 kg					

\*When using a DORMOTION damping unit, we recommend installation of a pull handle.

**Note:** Please take note of glass preparation on page 72

# Complete sets – individual lengths

**Note:** Please indicate the clear width (LW) or the track length when ordering. When "mounting on glass", please specify only the clearance (LW). Glass preparation see page 72.

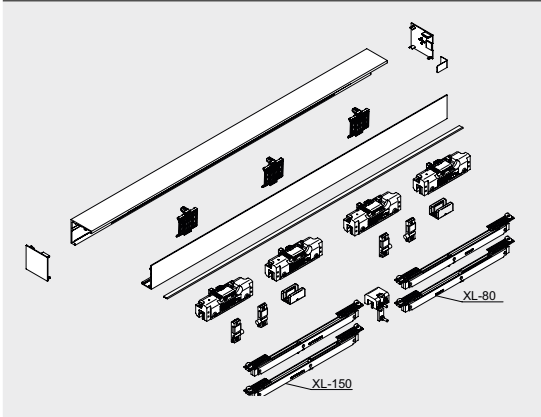
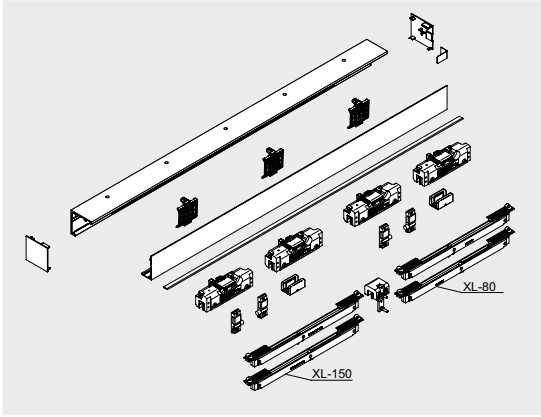
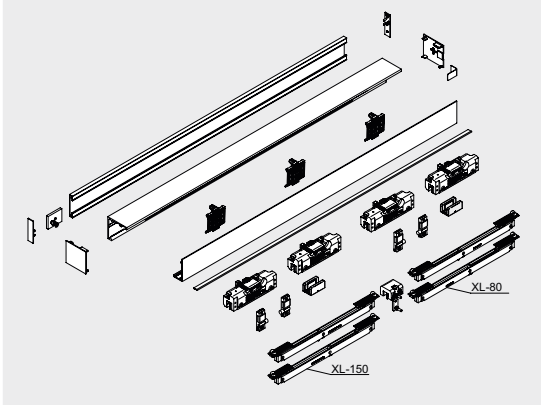
	Product description	Glass thickness	Art. No.
	<b>MUTO Premium XL 80/150 Set</b> <i>for wall installation</i> <b>Individual profile length up to max. 5,940 mm</b> incl. track profile, cover profile and brushes, DORMOTION unit*, accessory set, end caps		
	<b>incl. DORMOTION XL – 80</b> max. 80 kg/min. 810 mm/max. 2,500 mm	8–13.5 mm	<b>36.520</b>
	<b>incl. DORMOTION XL – 150</b> max. 150 kg/min. 1,020 mm/max. 2,500 mm	8–13.5 mm	<b>36.521</b>
	<b>MUTO Premium XL 80/150 Set</b> <i>for ceiling installation</i> <b>Individual profile length up to max. 5,940 mm</b> incl. track profile, cover profile and brushes, DORMOTION unit*, accessory set, end caps		
	<b>incl. DORMOTION XL – 80</b> max. 80 kg/min. 810 mm/max. 2,500 mm	8–13.5 mm	<b>36.522</b>
	<b>incl. DORMOTION XL – 150</b> max. 150 kg/min. 1,020 mm/max. 2,500 mm	8–13.5 mm	<b>36.523</b>
	<b>MUTO Premium XL80/150 Complete set</b> <i>for installation at ceiling + side light</i> <b>Individual profile length up to max. 5,940 mm</b> incl. track profile, cover profile, side light sight protection profile, filler profile, brushes, DORMOTION unit*, accessory set, end caps, max 80 kg		
	<b>incl. DORMOTION XL – 80</b> max. 80 kg/min. 810 mm/max. 2,500 mm	8–13.5 mm	<b>36.515</b>
	<b>incl. DORMOTION XL – 150</b> max. 150 kg/min. 1,020 mm/max. 2,500 mm	8–13.5 mm	<b>36.516</b>
	<b>MUTO Premium XL 80/150 Set</b> <i>for glass installation</i> <b>Individual profile length up to max. 5,067 mm</b> incl. track profile, cover profile and brushes, counter profile, DORMOTION unit*, accessory set, end caps		
	<b>incl. DORMOTION XL – 80</b> max. 80 kg/min. 810 mm/max. 2,500 mm	8–13.5 mm	<b>36.524</b>
	<b>incl. DORMOTION XL – 150</b> max. 150 kg/min. 1,020 mm/max. 2,500 mm	8–13.5 mm	<b>36.525</b>

**Note:** Please take note of glass preparation on page 72

\*When using a DORMOTION damping unit, we recommend installation of a pull handle.

# Complete sets – individual lengths, double panel door

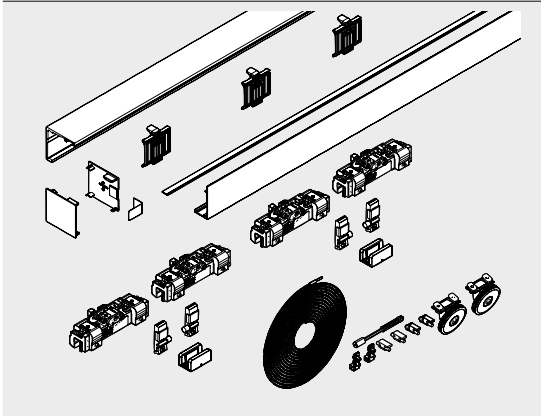
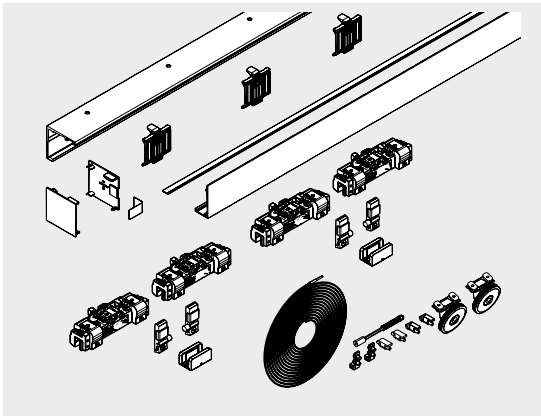
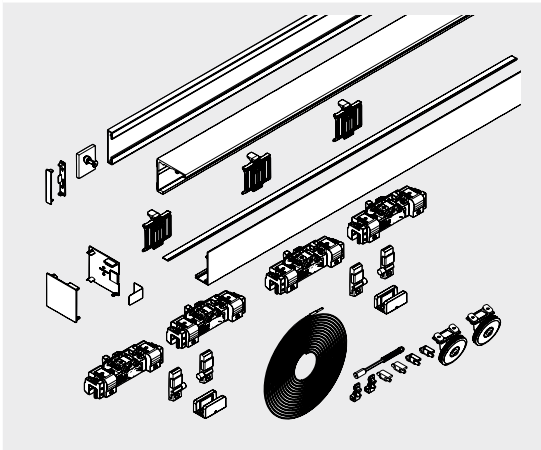
**Note:** Please indicate the clear width (LW) or the track length when ordering. When "mounting on glass", please specify only the clearance (LW). Glass preparation see page 73.

	Product description	Glass thickness	Art. No.
	<b>MUTO Premium XL 80/150 Set</b> for wall installation (with two door panels) <b>Individual profile length up to max. 5,940 mm</b> incl. track profile, cover profile and brushes, DORMOTION unit*, accessory sets, end caps		
	<b>incl. DORMOTION XL – 80</b> max. 80 kg/min. 810 mm/max. 1,470 mm	8–13.5 mm	<b>36.526</b>
	<b>incl. DORMOTION XL – 150</b> max. 150 kg/min. 1,020 mm/max. 1,470 mm	8–13.5 mm	<b>36.527</b>
	<b>MUTO Premium XL 80/150 Set</b> for ceiling installation (with two door panels) <b>Individual profile length up to max. 5,940 mm</b> incl. track profile, cover profile and brushes, DORMOTION unit*, accessory sets, end caps		
	<b>incl. DORMOTION XL – 80</b> max. 80 kg/min. 810 mm/max. 1,470 mm	8–13.5 mm	<b>36.528</b>
	<b>incl. DORMOTION XL – 150</b> max. 150 kg/min. 1,020 mm/max. 1,470 mm	8–13.5 mm	<b>36.529</b>
	<b>MUTO Premium XL 80/150 Set</b> for glass installation (with two door panels) <b>Individual profile length up to max. 5,940 mm</b> incl. track profile, cover profile and brushes, counter profile, DORMOTION unit*, accessory sets, end caps		
	<b>incl. DORMOTION XL – 80</b> max. 80 kg/min. 810 mm/max. 1,470 mm	8–13.5 mm	<b>36.530</b>
	<b>incl. DORMOTION XL – 150</b> max. 150 kg/min. 1,020 mm/max. 1,470 mm	8–13.5 mm	<b>36.531</b>

**Note:** Please take note of glass preparation on page 73

\*When using a DORMOTION damping unit, we recommend installation of a pull handle.

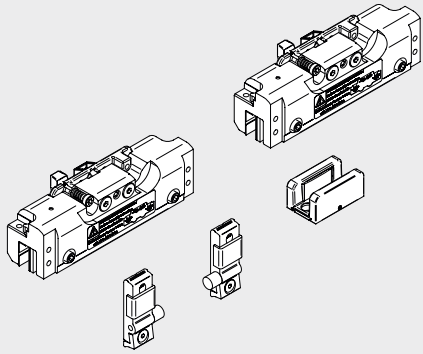
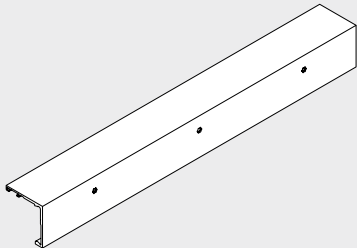
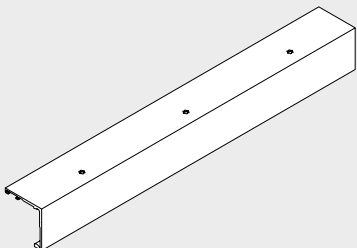
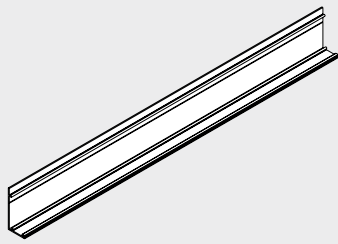
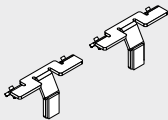


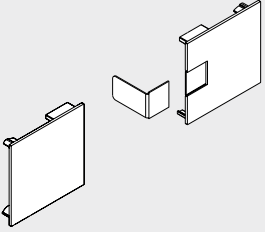
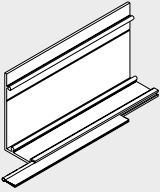
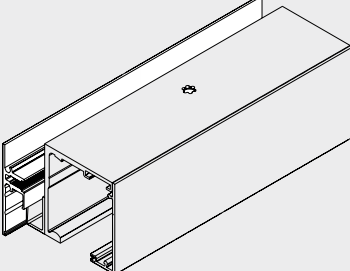
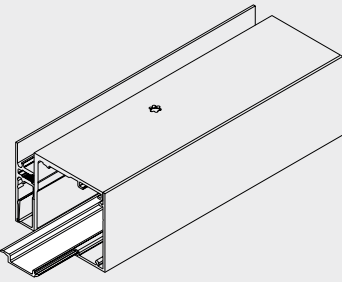
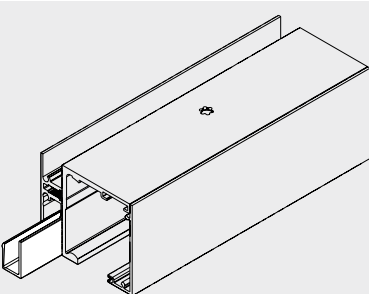
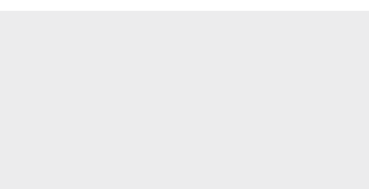
	Product description	Glass thickness	Art. No.
	<b>Premium XL Synchro Set for double panel door,</b> <i>wall installation,</i> fixed length without DORMOTION Profile length xxxx mm* (max. 5,940 mm) Min. panel width 660 mm Max. panel width 1,470 mm  Incl. track profile, cover profile and brushes	8–13.5 mm	<b>36.532</b>
	<b>Premium XL Synchro Set for double panel door,</b> <i>ceiling installation,</i> fixed length without DORMOTION Profile length xxxx mm* (max. 5,940 mm) Min. panel width 660 mm Max. panel width 1,470 mm  Incl. track profile, cover profile and brushes  Complete accessories for 8 – 13.5 mm glass thickness	8–13.5 mm	<b>36.533</b>
	<b>Premium XL Synchro Set for double panel door,</b> <i>glass installation,</i> fixed length without DORMOTION Profile length xxxx mm* (max. 5,940 mm) Min. panel width 660 mm (min. LW 1,266 mm) Max. panel width 1,470 mm (max. LW 2,886 mm)  Incl. track profile, cover profile, counter profile and brushes	8–13.5 mm	<b>36.534</b>

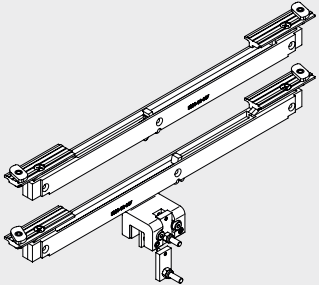
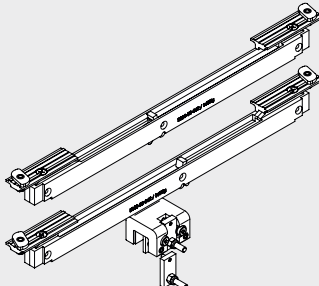
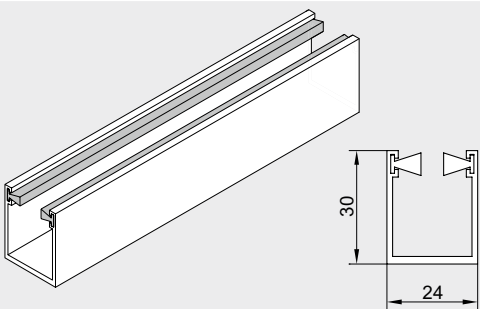
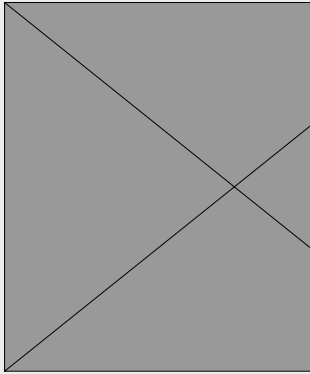
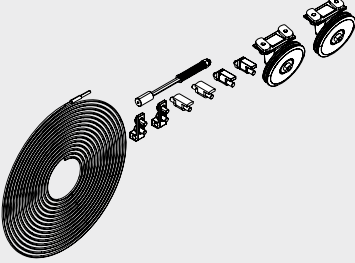
\* to be defined by customer (Please take note of glass preparation on page 73)

**Note:** Please indicate the clear width (LW) or the track length when ordering. For "mounting on glass", please specify only the clear width (LW). Observe glass processing page 73.

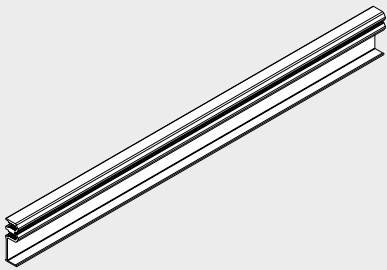
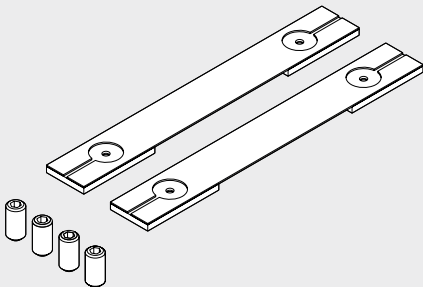
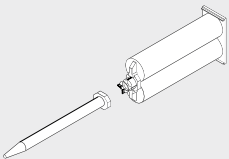
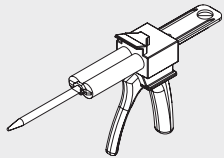
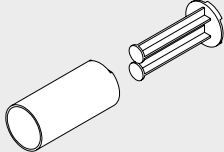
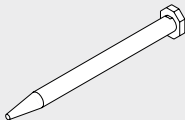
# Component parts

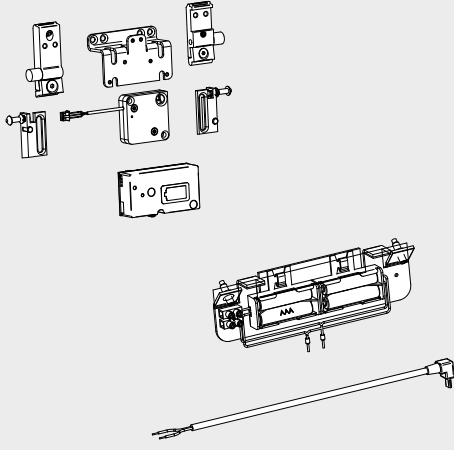
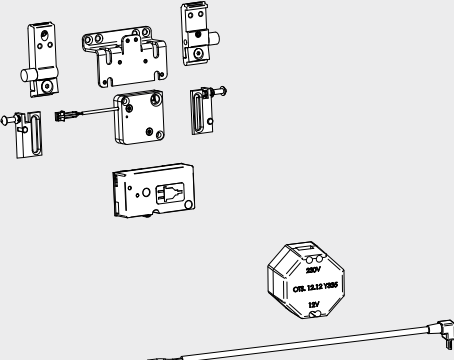
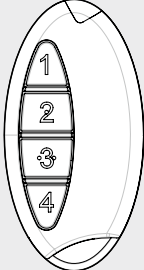
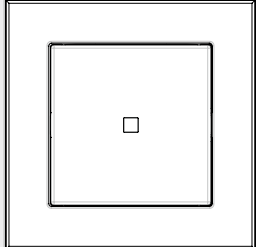
	Product description	Art. No.
	<p><b>MUTO Premium XL 80/150</b>  <b>Accessory set</b>  <b>Consisting of:</b>            2 Clamp carriers            2 Endstops            1 Floor guide</p>	<p><b>36.550</b></p>
	<p><b>MUTO Premium XL 80/150</b>  <b>Track rail DORMOTION</b>  <i>Fixed at wall</i></p> <p>stock length 6,000 mm            fixed length</p>	<p><b>36.552</b>  <b>36.553</b></p>
	<p><b>MUTO Premium XL 80/150</b>  <b>Track rail DORMOTION</b>  <i>Fixed at ceiling</i></p> <p>stock length 6,000 mm            fixed length</p>	<p><b>36.554</b>  <b>36.555</b></p>
	<p><b>MUTO Premium XL 80/150</b>  <b>Cover profile</b></p> <p>stock length 6,000 mm            fixed length</p>	<p><b>36.566</b>  <b>36.567</b></p>
	<p><b>MUTO spacer (2 pieces)</b>  <i>for installation between two walls</i></p>	<p><b>36.890</b></p>

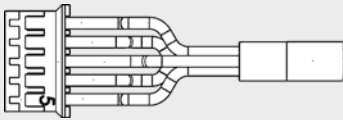
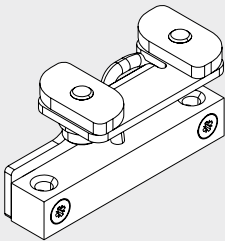
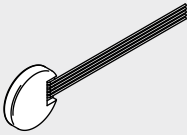
	Product description	Art. No.
	<b>MUTO Premium XL 80/150</b> <b>Set endcaps</b> for wall and ceiling installation	<b>36.556</b>
	<b>MUTO</b> <b>Brush profile set</b> for Comfort L and Premium XL <b>Consisting of:</b> 1 brush profile 8 – 10 mm glass 1 brush profile 12 – 13.5 mm glass	<b>36.265</b>
	<b>MUTO Premium XL 80/150</b> <b>Side light profile</b> 69 mm high, with gaskets, for 8 – 13.5 mm glass  stock length 6,000 mm fixed length  When installing between two walls, please give particular attention to the width of the end covers (each 2 mm).	<b>36.469</b> <b>36.474</b>
	<b>MUTO</b> <b>Filling profile</b> for Comfort L, Premium XL and Self-Closing, for side light profile  stock length 6,000 mm fixed length	<b>36.800</b> <b>36.801</b>
	<b>MUTO</b> <b>Filling profile</b> for Comfort L, Premium XL and Self-Closing,  stock length 6,000 mm fixed length	<b>36.802</b> <b>36.803</b>
	<b>MUTO Premium XL 80/150</b> <b>End caps</b> for side light profile, 58 mm high each 2 mm width (When installing between two walls, please give particular attention to it.)	<b>36.471</b>

	Product description	Art. No.
	<p><b>MUTO Premium XL 80 DORMOTION unit 2021</b> Panel width min. 660 mm for max. 80 kg, incl. starter</p> <p>When using a DORMOTION damping unit, we recommend installation of a pull handle.</p>	<p><b>36.570</b></p>
	<p><b>MUTO Premium XL 150 DORMOTION unit 2021</b> Panel width min. 660 mm for max. 150 kg, incl. starter</p> <p>When using a DORMOTION damping unit, we recommend installation of a pull handle.</p>	<p><b>36.571</b></p>
	<p><b>MUTO Premium XL 80/150 Subsurface floor guide track rail with brushes</b></p> <p>stock length 6,000 mm fixed length</p>	<p><b>36.561 36.562</b></p>
	<p><b>MUTO Comfort Floorstop</b> for Comfort M, L and Premium XL, for glass- oder timber side light</p>	<p><b>36.851</b></p>
	<p><b>MUTO Premium XL 80 Synchro set</b> <b>Consisting of:</b> 1 wire 2 pulley</p> <p>Max. 80 kg per panel</p> <p>only possible without locking device</p>	<p><b>36.560</b> <b>Optional</b></p>

	Product description	Art. No.
	<p><b>MUTO Premium XL 80/150</b>  <b>Timber adapter set</b>            Profile 12.5 x 36 mm            + 12.5 x 4 mm,            incl. Accessories            (with timber floor guide)</p> <p>1,460 mm            fixed length max. 2,500 mm</p> <p>Please indicate the wooden            door leaf width when ordering!</p>	<p><b>36.461</b>  <b>36.464</b></p>
	<p><b>MUTO</b>  <b>Floor profile</b>            for Comfort L and Premium XL,            for fixing side light,            with gaskets,            for 8 – 13.5 mm glass,            incl. end caps</p> <p>stock length 6,000 mm            fixed length</p>	<p><b>36.810</b>  <b>36.811</b></p>
	<p><b>MUTO</b>  <b>End caps (2 pieces)</b>            for Comfort L and Premium XL,            for Floor profile,            for fixing side light</p>	<p><b>36.812</b></p>
	<p><b>MUTO Premium - balance profile set</b>            12 mm, for installation over an existing door frame;            compensates for the frame thickness; fixed length</p>	<p><b>36.870</b></p>
	<p><b>MUTO Premium - balance profile set</b>            24 mm, for installation over an existing door frame;            compensates for the frame thickness; fixed length</p>	<p><b>36.871</b></p>

	Product description	Art. No.
	<p><b>MUTO</b>  <b>Connecting profile for false ceilings</b>, incl. accessory set for Comfort M, L and Premium XL,</p> <p>stock length 6,000 mm  fixed length</p>	<p><b>36.821</b>  <b>36.820</b></p>
	<p><b>MUTO Premium XL 80/150</b>  <b>LSG-Set</b>  Accessory set for use with LSG for one pair of clamp carrier</p> <p><b>Consisting of:</b>  2 Gaskets  4 injector screw</p> <p>Please order the LSG glue 07.631 separately</p>	<p><b>36.468</b></p>
	<p><b>Special adhesive for use with LSG</b>  The contents of the cartridge are sufficient for 10 clamp carriers (varies if the nozzle contents have dried out!) If necessary, order additional spare nozzles (art. no. 07630).</p>	<p><b>07.631</b></p>
	<p><b>Automix gun for LSG</b>  Use in combination with article 07.631</p>	<p><b>07.629</b></p>
	<p><b>Automix adapter for LSG</b>  Use in combination with article 07.631 (for use with a commercially available silicone syringe)</p>	<p><b>07.628</b></p>
	<p><b>Spare nozzle for LSG</b>  Use in combination with article 07.631</p>	<p><b>07.630</b></p>

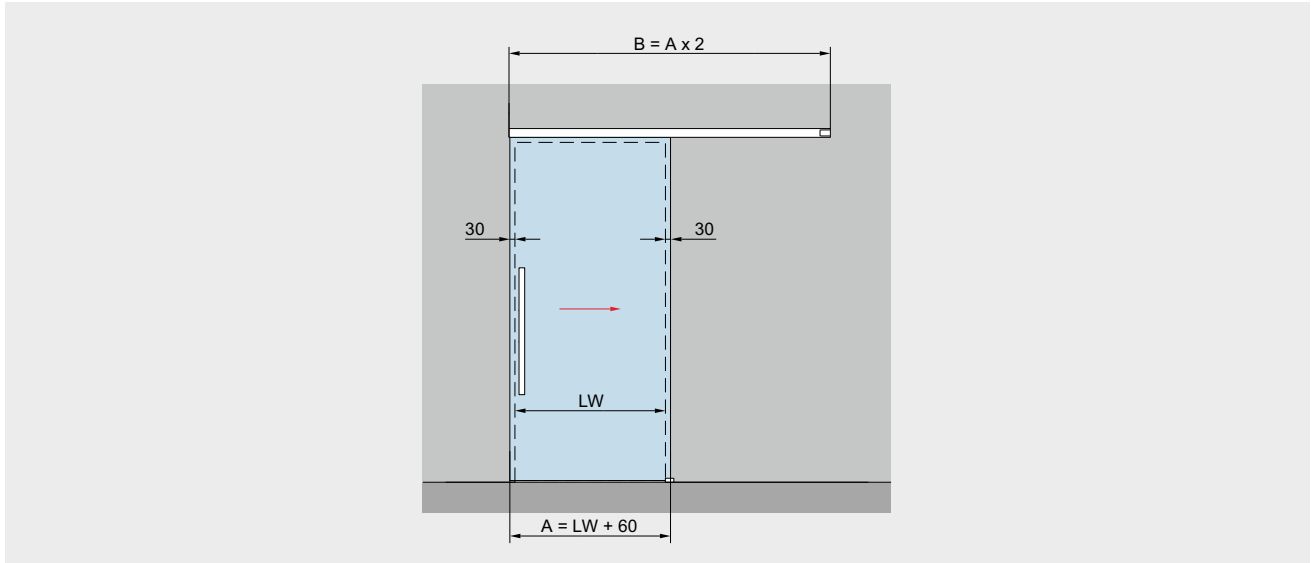
	Product description	Art. No.
	<p><b>MUTO</b>  <b>Integrated locking device Battery</b>  for Comfort L, Premium XL, Premium Self-Closing and Premium Telescopic (not suitable as a security barrier)</p> <p><b>Consisting of:</b>  1 receiver unit  1 mounting bracket for locking  1 locking device  1 stopper XL  4 batteries (Energizer L92 Ultimate Lithium: AAA1.5V)  1 battery carrier</p> <p><b>Attention:</b> Not suitable for Synchro version.</p>	<p><b>36.859</b></p>
	<p><b>MUTO</b>  <b>Integrated locking device Battery</b>  for Comfort L, Premium XL, Premium Self-Closing and Premium Telescopic (not suitable as a security barrier)</p> <p><b>Consisting of:</b>  1 receiver unit  1 mounting bracket for locking  1 locking device  1 stopper XL</p> <p>Transformer, suitable for flush-mounted box</p> <p><b>Attention:</b> Not suitable for Synchro version.</p>	<p><b>36.886</b></p>
	<p><b>MUTO</b>  <b>Radio remote control</b>  for Comfort L, Premium XL and Self-Closing,</p> <p>1 Radio remote control  1 Battery</p>	<p><b>36.885</b></p>
	<p><b>MUTO</b>  <b>Wall switch with radio remote control</b>  for Comfort L, Premium XL and Self-Closing,</p> <p>1 Wall switch  1 Battery</p>	<p><b>36.848</b></p>

	Product description	Art. No.
	<p><b>MUTO</b>  <b>Accessory for locking unit</b>  for Comfort L, Premium XL and Self-Closing,</p> <p>1 cable set for an optional use of the status indicator integrated in the locking unit</p>	<p><b>36.855</b></p>
	<p><b>MUTO</b>  <b>Locking device set</b>  for Comfort L and Premium XL</p> <p><b>Consisting of:</b>  1 Sensor  1 Adapter for track reception  1 Cable</p>	<p><b>36.840</b></p>
	<p><b>Concealed transmitter BRC-T</b>  DORMA-GLAS bi-directional flush-mounted radio transmitter BRC-T, battery-operated, for installation in a switch with a deep flush-mounting box in conjunction with on-site push-button</p>	<p><b>29301003</b></p>

Vertical brush seals can be found on page 186



# Type illustrations wall installation



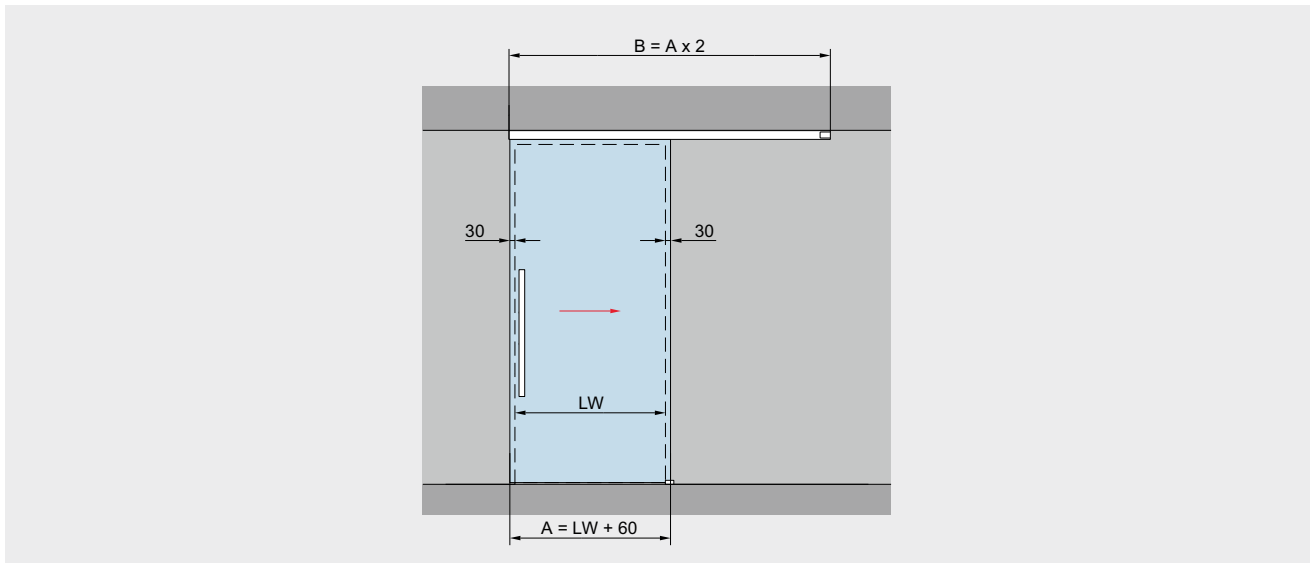
Opening to right side, closing to left side (DIN left)

Fixed at wall	Product description	Glass thickness
	<p>For installation with one door panel</p> <p><b>Max. weight of door panels</b> 120 kg</p> <p><b>Calculation of glass height</b> GH1 = LH + 22 + X mm max. 3,000 mm</p> <p><b>Calculation of glass width</b> A = LW + 60 mm min. 850 mm (DORMOTION on one side) Max. travel 1,450 mm</p>	8 – 13.5 mm

Right: Opening to right side, closing to left side (DIN Left)  
 Left: Opening to left side, closing to right side (DIN Right)

- A = Glass width
- B = Length of track
- GH1 = Glass height sliding door
- H = Total height
- LH = Clear opening height
- LW = Clear opening width
- t1 = Glass thickness sliding door
- Y = 100 mm – 20 mm – t
- X = Freely selectable protrusion (depending on structural conditions)

# Type illustrations ceiling installation



Opening to right side, closing to left side (DIN left)

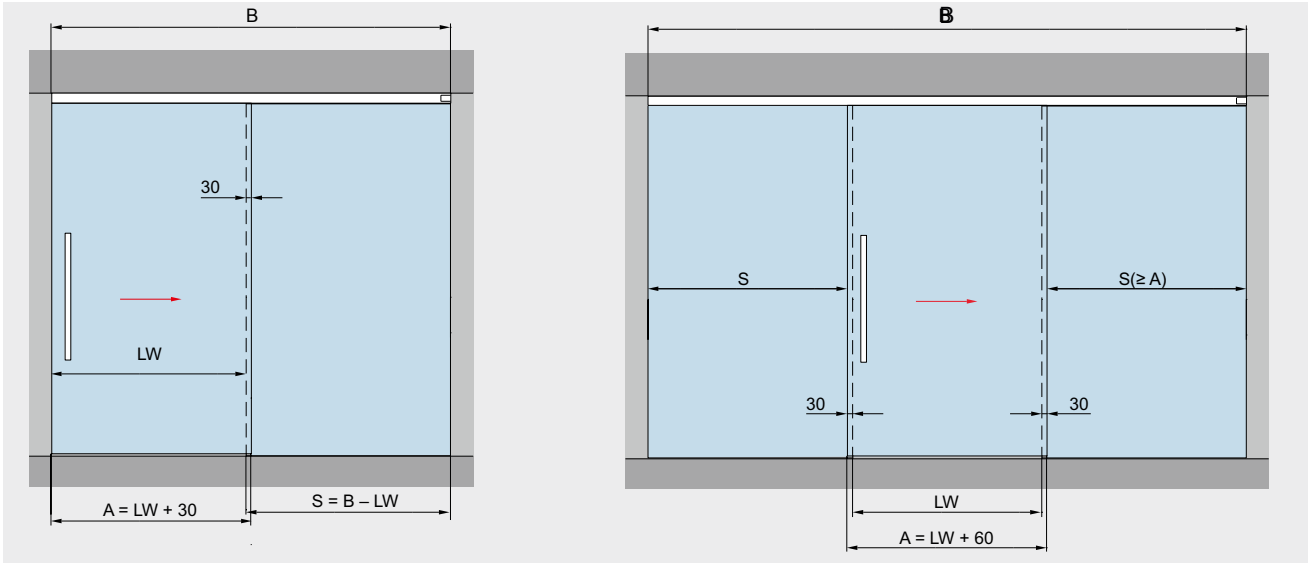
Fixed at ceiling	Product description	Glass thickness
	<p>For installation with one door panel</p> <p><b>Max. weight of door panels</b> 120 kg</p> <p><b>Calculation of glass height</b> GH1 = H - 47 mm max. 3,000 mm</p> <p><b>Calculation of glass width</b> A = LW + 60 mm min. 850 mm (DORMOTION on one side) Max. travel 1,450 mm</p>	8 – 13.5 mm

Right: Opening to right side, Closing to left side (DIN Left)  
Left: Opening to left side, Closing to right side (DIN Right)

A = Glass width  
B = Length of track  
GH1 = Glass height sliding door  
H = Total height

LH = Clear opening height  
LW = Clear opening width  
t1 = Glass thickness sliding door  
Y = 100 mm - 20 mm - t

# Type illustrations with sidelight



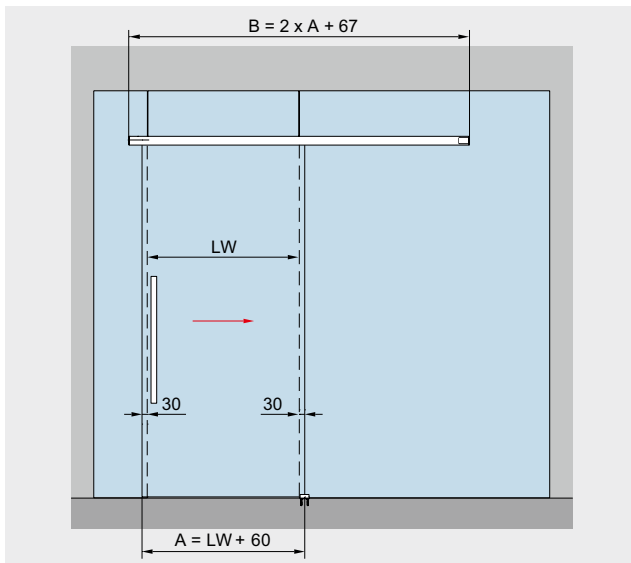
Opening to right side, closing to left side (DIN left)

Fixed at ceiling	Fixed at false ceiling	Product description	Glass thickness
		<p>For installation with one door panel</p> <p><b>Max. weight of door panels</b> 120 kg</p> <p><b>Calculation of glass height for installation at ceiling</b> GH1 = H - 47 mm GH2 = LH + 7 mm max. 3,000 mm</p> <p><b>Calculation of glass height for installation at false ceiling</b> GH1 = LH + 21 mm GH2 = LH + 7 mm max. 3,000 mm</p> <p><b>Calculation of glass width</b> A = LW + 30 mm min. 850 mm (DORMOTION on one side) max. travel 1,450 mm</p>	8 – 13.5 mm

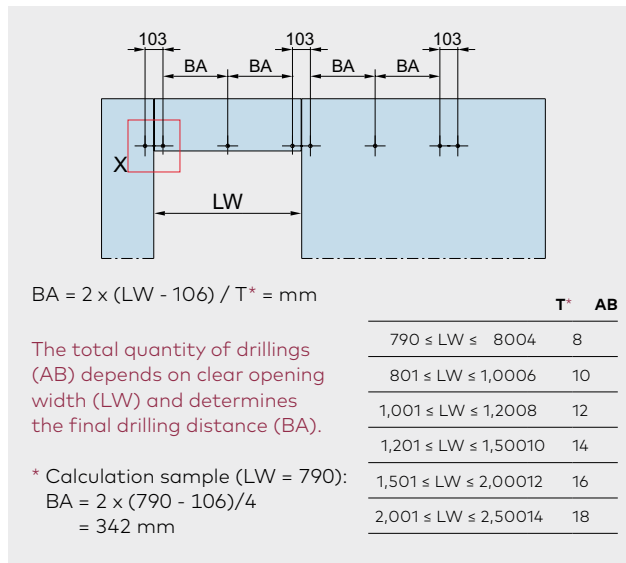
Right: Opening to right side, closing to left side (DIN Left)  
 Left: Opening to left side, closing to right side (DIN Right)

- A = Glass width
- B = Length of track
- GH1 = Glass height sliding door
- GH2 = Glass height sidelight
- H = Total height
- LH = Clear opening height
- LW = Clear opening width
- S = Glass width sidelight
- t1 = Glass thickness sliding door
- t2 = Glass thickness sidelight
- Y = 100 mm - 20 mm - t1

# Type illustrations glass installation



Opening to right side, closing to left side (DIN left)

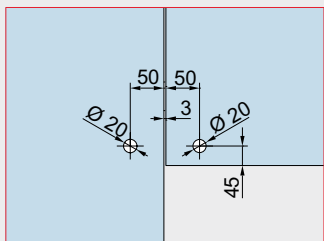


You will find a calculation tool for the glass preparation of the fixed parts MUTO on glass under the following link <https://glas-innovationen.com/glass-innovations/muto>

## Glass preparation

## Product description

## Glass thickness



Detail X

For installation with one door panel

8 – 13.5 mm

**Max. weight of door panels**  
120 kg

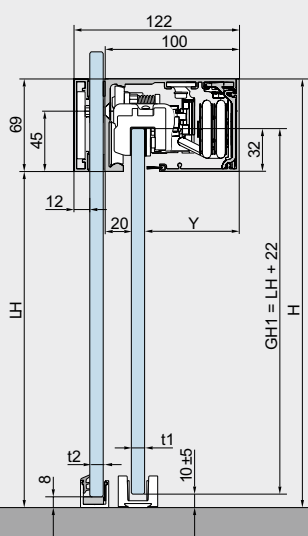
**Calculation of glass height**  
 $GH = LH + 22 \text{ mm}$ , max. 3,000 mm

**Calculation of glass width**  
 $A = LW + 60 \text{ mm}$ , min. 850 mm (DORMOTION on one side)  
 Max. travel 1,450 mm

## Fixed at glass

## Product description

## Self-Closing 120



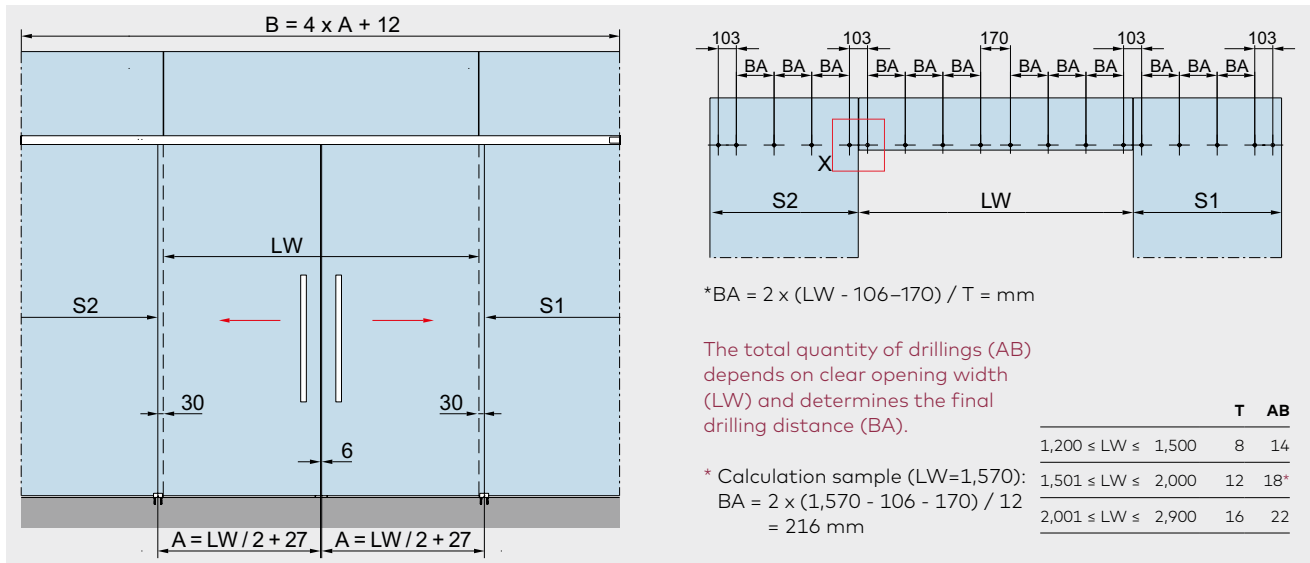
To ensure a correct and aligned mounting of the track rail, a fully supporting fixed panel must be installed.

## MUTO Premium

min. glass width	850 mm
min. clear opening width	790 mm
max. travel	1,450 mm

- A = Glass width
- AB = Quantity of drillings
- B = Length of track
- BA = Drilling distance
- H = Total height
- LH = Clear opening height
- LW = Clear opening width
- GH1 = Glass height sliding door
- T = Quantity of drillings distance signed with BA
- t1 = Glass thickness sliding door (8 – 13.5 mm)
- t2 = Glass thickness fixed panel (10 – 19 mm)
- Y = 100 mm – 20 mm – t1

# Type illustrations with two door panels fixed at glass



You will find a calculation tool for the glass preparation of the fixed parts MUTO on glass under the following link <https://glas-innovationen.com/glass-innovations/muto>

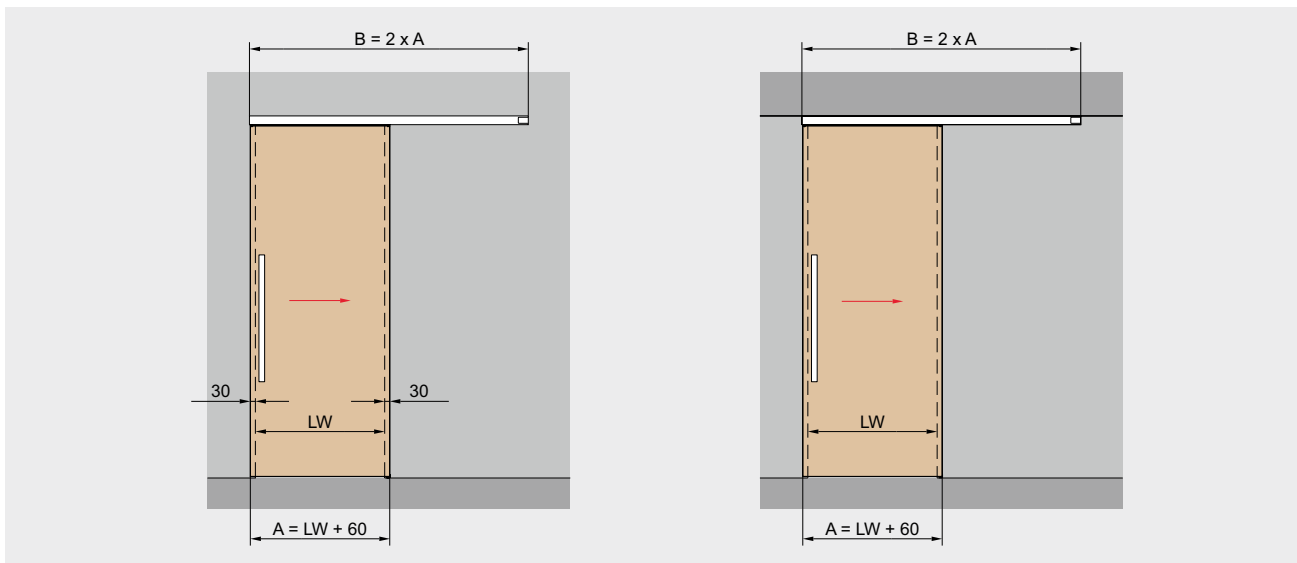
Glass preparation	Product description	Glass thickness
<p>Detail X</p>	For installation with two door panels  <b>Max. weight of door panels</b> 120 kg  <b>Calculation of glass height</b> $GH = LH + 22 \text{ mm}$ , max. 3,000 mm  <b>Calculation of glass width</b> $A = LW / 2 + 27 \text{ mm}$ min. 850 mm max. $2 \times 1,470 \text{ mm}$ max. travel 1,450 mm	8 – 13.5 mm

Fixed at glass	Merkmale und Daten	Self-Closing 120						
	To ensure a correct and aligned mounting of the track rail, a fully supporting fixed panel must be installed.							
	<table border="1"> <tbody> <tr> <td>min. door width</td> <td>850 mm</td> </tr> <tr> <td>max. door width</td> <td>1,470 mm</td> </tr> <tr> <td>max. travel</td> <td>1,450 mm</td> </tr> </tbody> </table>	min. door width	850 mm	max. door width	1,470 mm	max. travel	1,450 mm	
min. door width	850 mm							
max. door width	1,470 mm							
max. travel	1,450 mm							

- A = Glass width
- AB = Quantity of drillings
- B = Length of track
- BA = Drilling distance
- H = Total height
- LH = Clear opening height
- LW = Clear opening width
- GH1 = Glass height sliding door
- T = Quantity of drilling distance signed with BA
- t1 = Glass thickness sliding door
- t2 = Glass thickness fixed panel (10 – 19 mm)
- Y = 100 mm – 20 mm – t1



# Type illustrations for timber door applications



Opening to right side, closing to left side (DIN left)

Fixed at wall	Fixed at ceiling	Product description	Wood thickness
		<p>For installation with one door panel 28 – 50 mm</p> <p><b>Max. weight of door panels</b> 120 kg</p> <p><b>Calculation of door height fixed at wall</b> TH = LH – 18 + X mm max. 3,000 mm</p> <p><b>Calculation of door height fixed at ceiling</b> TH = H – 87 mm max. 3,000 mm</p> <p><b>Calculation of door width</b> A = LW + 60 mm min. 850 mm (DORMOTION on one side) Max. travel 1,450 mm</p>	
<p>* Timber door 100 mm, solid wood, for attachment to timber adapter.</p>			

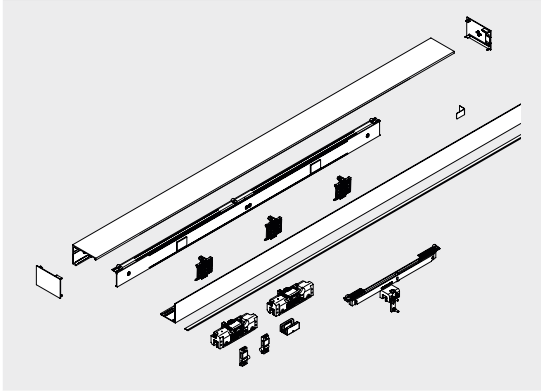
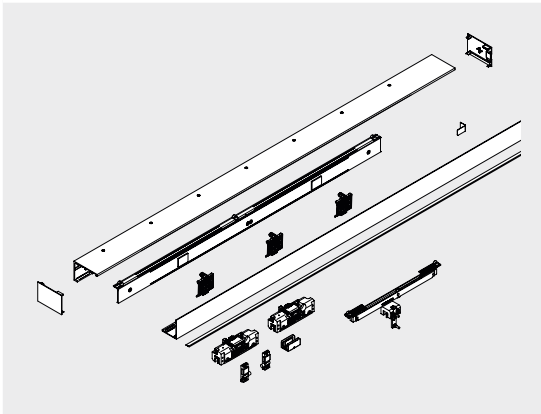
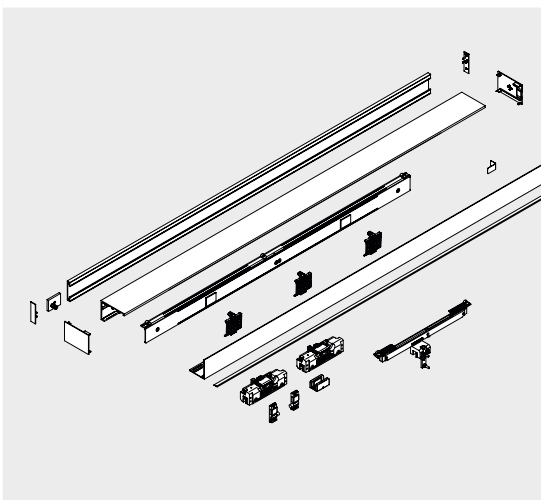
- A = Timber door width
- B = Length of track
- H = Total height
- LH = Clear opening height
- LW = Clear opening width

- TH = Door height
- u = Wood thickness
- X = Freely selectable protrusion (depending on structural conditions)
- Y = 100 mm – 20 mm – t1

# Space for your notes



# Complete sets - defined panel width

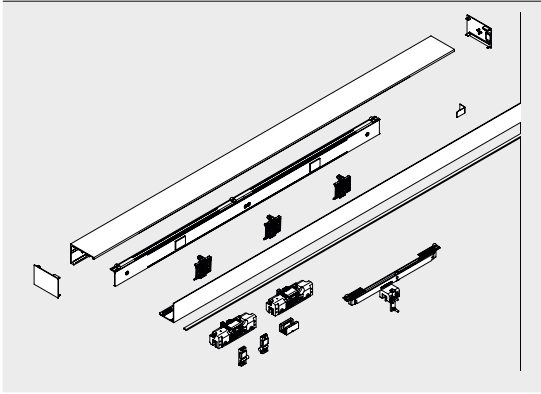
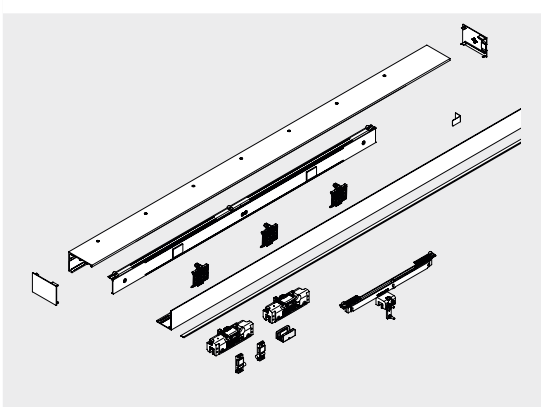
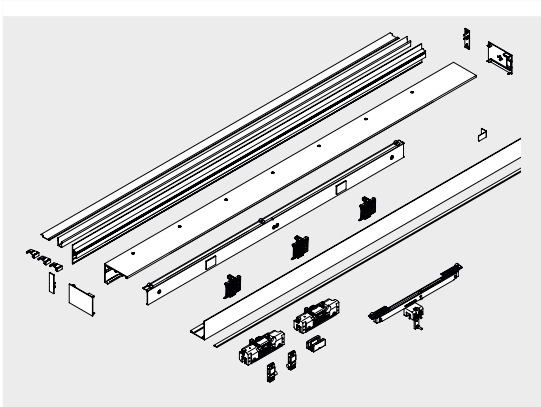
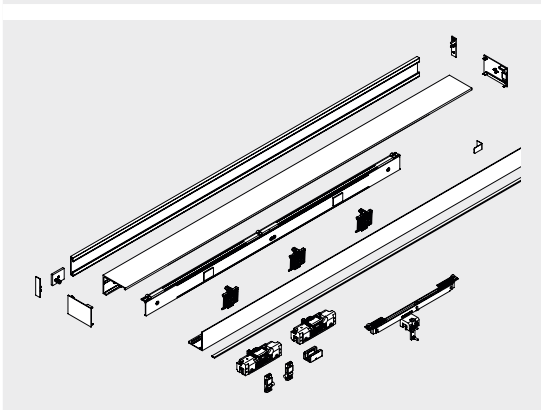
	Product description	DIN	Clear opening width	Panel width	Profile length	Art. No.
	<b>MUTO Premium Self-Closing 120</b> <b>Fixed at wall</b> incl. track profile, cover profile and brushes, elastic cable, DORMOTION unit (on one side)*, accessory set, end caps  for 8 – 13.5 mm glass thickness, max. 120 kg	Right		950	1,880	<b>36.600</b>
		Left		950	1,880	<b>36.601</b>
		Right		1,250	2,480	<b>36.610</b>
		Left		1,250	2,480	<b>36.611</b>
		Right		1,450	2,880	<b>36.602</b>
		Left		1,450	2,880	<b>36.603</b>
	<b>MUTO Premium Self-Closing 120</b> <b>Fixed at ceiling</b> incl. track profile, cover profile and brushes, elastic cable, DORMOTION unit (on one side)*, accessory set, end caps  for 8 – 13.5 mm glass thickness, max. 120 kg	Right		950	1,880	<b>36.604</b>
		Left		950	1,880	<b>36.605</b>
		Right		1,250	2,480	<b>36.612</b>
		Left		1,250	2,480	<b>36.613</b>
		Right		1,450	2,880	<b>36.606</b>
		Left		1,450	2,880	<b>36.607</b>
	<b>MUTO Premium Self-Closing 120</b> <b>Fixed at glass</b> incl. track profile, cover profile and brushes, elastic cable, DORMOTION unit (on one side)*, accessory set, end caps  for 8 – 13.5 mm glass thickness, max. 120 kg  <b>Note:</b> Please take note of glass preparation on page 91	Right	850	910	1,887	<b>36.614</b>
		Left	850	910	1,887	<b>36.615</b>
		Right	1,050	1,110	2,287	<b>36.161</b>
		Left	1,050	1,110	2,287	<b>36.617</b>
		Right	1,250	1,310	2,687	<b>36.608</b>
		Left	1,250	1,310	2,687	<b>36.609</b>

Right: Opening to right side, Closing to left side (DIN Left)

Left: Opening to left side, Closing to right side (DIN Right)

\*When using a DORMOTION damping unit, we recommend installation of a pull handle.

# Complete sets - defined lengths

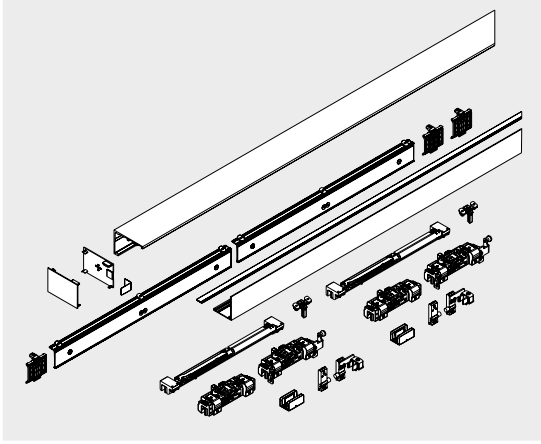
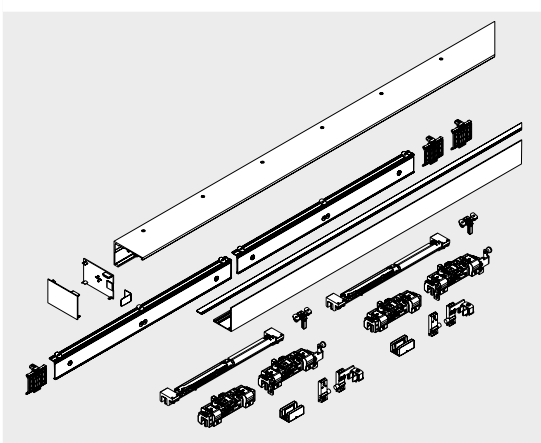
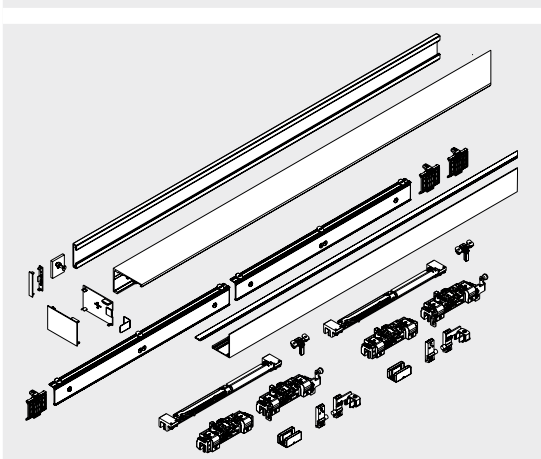
	Product description	DIN	Glass thickness	Art. No.
	<p><b>MUTO Premium Self-Closing 120</b>                      Fixed at wall  <b>Individual profile length up to max. 5,940 mm</b>                      min. glass width 850 mm, max. 1,500 mm                      incl. track profile, cover profile and brushes, elastic cable, DORMOTION unit (on one side)*, accessory set, end caps                      max. 120 kg                      Please indicate clear opening width or track length with order!</p>	Right Left	8–13.5 mm	<b>36.620</b> <b>36.621</b>
	<p><b>MUTO Premium Self-Closing 120</b>                      Fixed at ceiling  <b>Individual profile length up to max. 5,940 mm</b>                      min. glass width 850 mm, max. 1,500 mm                      incl. track profile, cover profile and brushes, elastic cable, DORMOTION unit (on one side)*, accessory set, end caps                      max. 120 kg                      Please indicate clear opening width or track length with order!</p>	Right Left	8–13.5 mm	<b>36.622</b> <b>36.623</b>
	<p><b>MUTO Premium Self-Closing 120</b>                      Fixed at ceiling + side light  <b>Individual profile length up to max. 5,940 mm</b>                      min. glass width 850 mm, max. 1,500 mm                      incl. track profile, cover profile, side light sight protection and filler profile, brushes, elastic cable, DORMOTION unit (on one side)*, accessory set, end caps                      max. 120 kg                      Please indicate track length with order!</p>	Right Left	8–13.5 mm	<b>36.629</b> <b>36.630</b>
	<p><b>MUTO Premium Self-Closing 120</b>                      Fixed at glass  <b>Individual profile length up to max. 3,067 mm</b>                      min. glass width 850 mm, max. 1,500 mm                      incl. track profile, cover profile and brushes, elastic cable, DORMOTION unit (on one side)*, accessory set, end caps                      max. 120 kg                      Please indicate clear opening width with order!</p>	Right Left	8–13.5 mm	<b>36.624</b> <b>36.625</b>

Right: Opening to right side, Closing to left side (DIN Left)

Left: Opening to left side, Closing to right side (DIN Right)

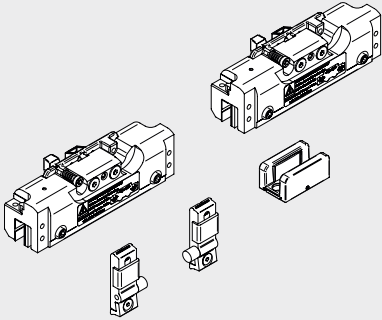
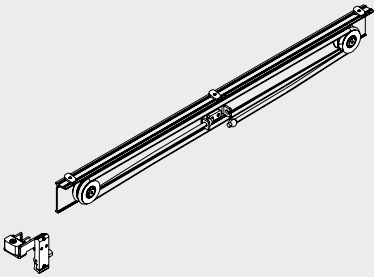
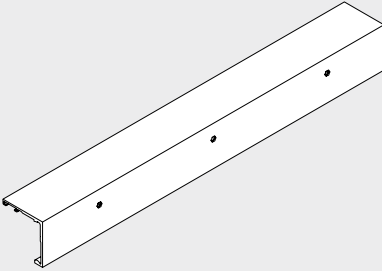
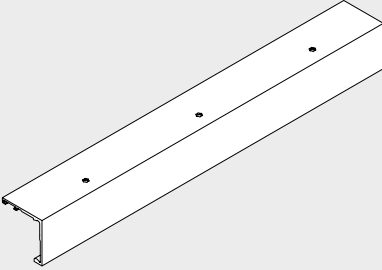
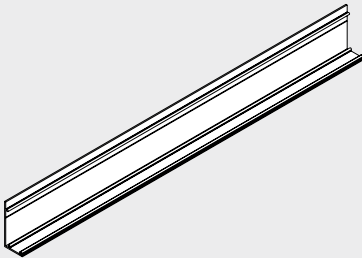
\*When using a DORMOTION damping unit, we recommend installation of a pull handle.

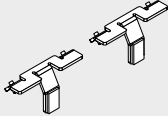
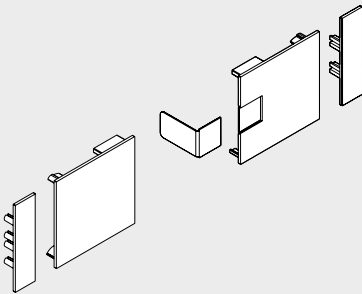
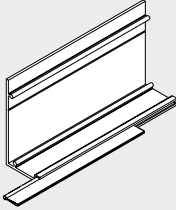
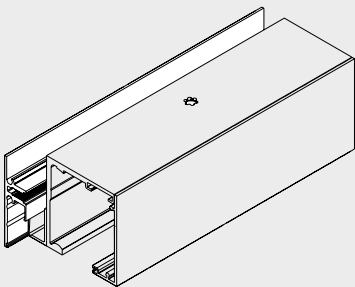
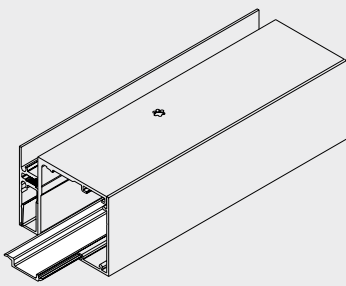
**Note:** Please take note of glass preparation on page 91

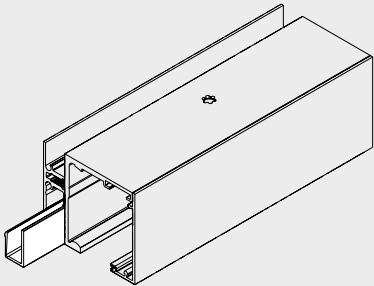
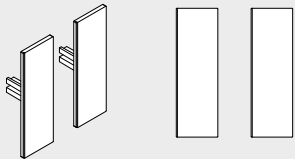
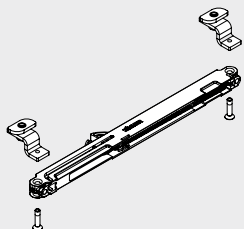
	Product description	Art. No.
	<p><b>MUTO Premium Self-Closing 120 Set for doors with two panels</b> fixed at wall, fixed length, incl. DORMOTION, max. 120 kg. min. panel width 850 mm profile length xxxx mm* (max. 5,940 mm) max. panel width 1,470 mm, incl. track profile, cover profile and brushes complete accessory for 8 - 13.5 mm glass thickness Please indicate clear opening width or track length with order!</p>	36.626
	<p><b>MUTO Premium Self-Closing 120 Set for doors with two panels</b> fixed at ceiling, fixed length, incl. DORMOTION, max. 120 kg. min. panel width 850 mm profile length xxxx mm* (max. 5,940 mm) max. panel width 1,470 mm, incl. track profile, cover profile and brushes complete accessory for 8 - 13.5 mm glass thickness Please indicate clear opening width or track length with order!</p>	36.627
	<p><b>MUTO Premium Self-Closing 120 Set for doors with two panels</b> fixed at glass, fixed length, incl. DORMOTION, max. 120 kg. min. panel width 850 mm (min. LW 1,646 mm) clear opening width xxxx mm* (max. 5,880 mm) max. panel width 1,470 mm (max. LW 2,886 mm), incl. track profile, cover profile, counter profile and brushes complete accessory for 8 - 13.5 mm glass thickness  Please indicate clear opening width with order and take note of glass preparation on page 92</p>	36.628

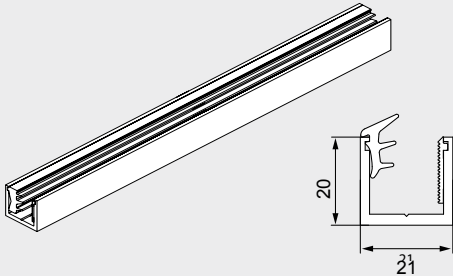
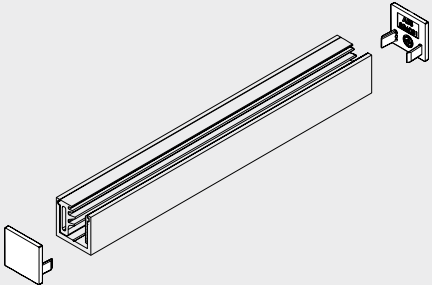
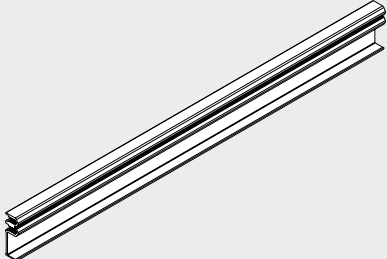
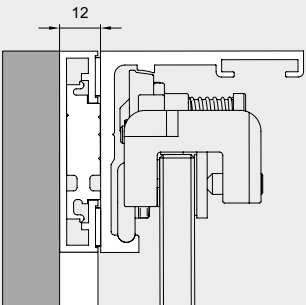
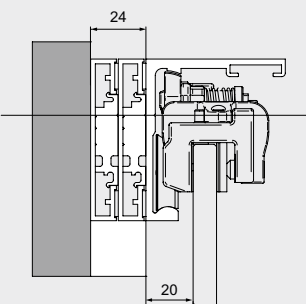
\* to be defined by customer

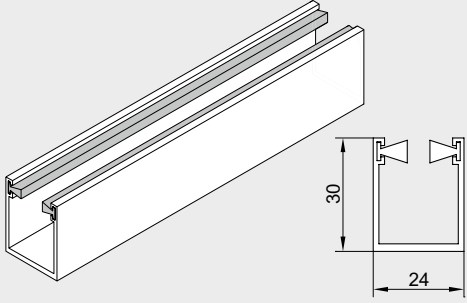
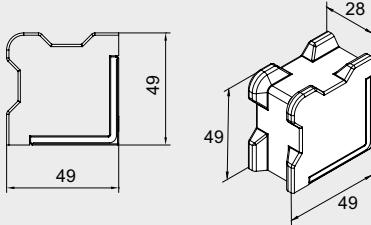
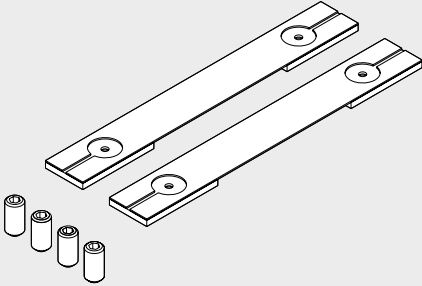
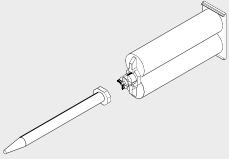
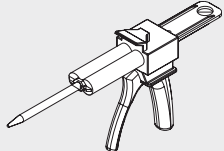
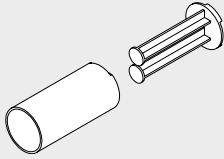
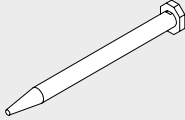
# Component parts

	Product description	Art. No.
	<p><b>MUTO Premium XL 80/150</b>  <b>Accessory set</b>  <b>Consisting of:</b>            2 Clamp carriers            2 Endstops            1 Floor guide</p>	<p><b>36.550</b></p>
	<p><b>MUTO Premium Self-Closing 120</b>  <b>Elastic cable</b>            with accessories</p> <p>Opening to right side, closing to left side (DIN Left)            Opening to left side, closing to right side (DIN Right)</p> <p>length: 1,100 mm</p>	<p><b>36.657</b></p> <p><b>36.658</b> not illustr.</p>
	<p><b>MUTO Premium Self-Closing 120</b>  <b>Track rail</b>  <i>for wall installation</i></p> <p>stock length 6,000 mm            fixed length</p>	<p><b>36.850</b>  <b>36.651</b></p>
	<p><b>MUTO Premium Self-Closing 120</b>  <b>Track rail</b>  <i>for ceiling installation</i></p> <p>stock length 6,000 mm            fixed length</p>	<p><b>36.852</b>  <b>36.653</b></p>
	<p><b>MUTO Premium Self-Closing 120</b>  <b>Cover profile</b></p> <p>stock length 6,000 mm            fixed length</p>	<p><b>36.854</b>  <b>36.655</b></p>

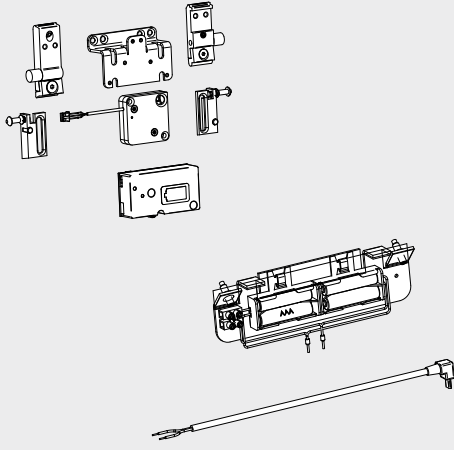
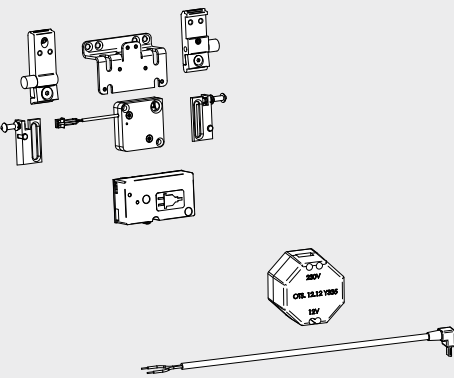
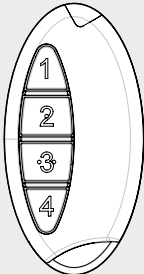
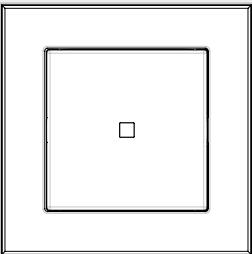
	Product description	Glass thickness	Art. No.
	<b>MUTO spacer (2 pieces)</b> for installation between two walls		<b>36.890</b>
	<b>MUTO Premium Self-Closing 120 End caps</b> for wall and ceiling installation		<b>36.656</b>
	<b>MUTO Brush profile set</b> for Comfort L and Premium XL <b>Consisting of:</b> 1 Brush profile 8 – 10 mm glass 1 Brush profile 12 – 13.5 mm glass		<b>36.265</b>
	<b>MUTO Premium XL 80/150 Side light profile</b> 69 mm high, with gaskets  stock length 6,000 mm fixed length	8 – 13.5 mm 8 – 13.5 mm	<b>36.469</b> <b>36.474</b>
	<b>MUTO Filling profile</b> for Comfort L, Premium XL and Self-Closing, for side light profile  stock length 6,000 mm fixed length		<b>36.800</b> <b>36.801</b>

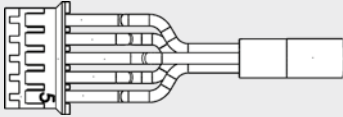
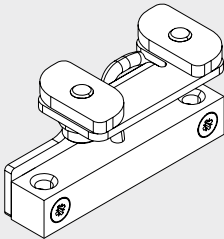
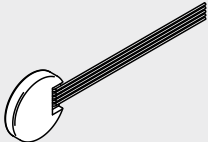
	Product description	Art. No.
	<p><b>MUTO Filling profile</b> for Comfort L, Premium XL and Self-Closing,</p> <p>stock length 6,000 mm fixed length</p>	<p><b>36.802</b> <b>36.803</b></p>
	<p><b>MUTO Premium Self-Closing 120 End caps</b> for side light profile, each 2 mm width (When installing between two walls, please give particular attention to it.)</p>	<p><b>36.471</b></p>
	<p><b>MUTO Premium Self-Closing 120 DORMOTION-Set</b> – for dampening the door at the open side for max. 120 kg, with Accessories</p> <p>Opening to right side, Closing to left side (DIN Left) Opening to left side, Closing to right side (DIN Right)</p>	<p><b>36.648</b> <b>36.649</b> not illustr.</p>
	<p><b>MUTO Premium Self-Closing 120</b> optional opening damping set (maximum 120 kg) to use left or right – for dampening the door at the open side</p>	<p><b>36.666</b></p>
	<p><b>MUTO Premium XL 80/150 Timber adapter set</b> Profile 12.5 x 36 mm + 12.5 x 4 mm, incl. accessories (with timber floor guide)</p> <p>1,460 mm fixed length max. 2,500 mm</p> <p>Please indicate the wooden door leaf width when ordering!</p>	<p><b>36.461</b> <b>36.464</b></p>

	Product description	Glass thickness	Art. No.
	<p><b>MUTO</b>  <b>Floor profile</b>  for Comfort L and Premium XL,  for fixing side light,  with gaskets, incl. end caps</p>	8 – 13.5 mm 8 – 13.5 mm	<b>36.810</b> <b>36.811</b>
	<p><b>MUTO</b>  <b>End caps (2 pieces)</b>  for Comfort L and Premium XL,  for Floor profile,  for fixing side light</p>		<b>36.812</b>
	<p><b>MUTO Comfort</b>  connection profile for false ceilings incl. accessory set for Comfort M, L and Premium XL,</p>	stock length 6,000 mm fixed length	<b>36.821</b> <b>36.820</b>
	<p><b>MUTO Premium - balance profile set</b>  12 mm, for installation over an existing door frame;  compensates for the frame thickness; fixed length</p>	<b>36.870</b>	
	<p><b>MUTO Premium - balance profile set</b>  24 mm, for installation over an existing door frame;  compensates for the frame thickness; fixed length</p>	<b>36.871</b>	

	Product description	Art. No.
	<p><b>MUTO Premium XL 80/150</b> <b>Subsurface floor guide track rail with brushes</b></p> <p>stock length 6,000 mm fixed length</p>	<p><b>36.561</b> <b>36.562</b></p>
	<p><b>MUTO Comfort</b> <b>Floorstop</b></p> <p>for Comfort L and Premium XL, for glass- oder timber side light</p>	<p><b>36.851</b></p>
	<p><b>MUTO Premium XL 80/150</b> <b>LSG-Set</b></p> <p>Accessory set for use with LSG for one pair of clamp carrier</p> <p><b>Consisting of:</b> 2 Gaskets 4 Injector screw</p> <p>Please order the LSG glue 07.631 separately</p>	<p><b>36.468</b></p>
	<p><b>Special adhesive for use with LSG</b></p> <p>The contents of the cartridge are sufficient for 10 clamp carriers (varies if the nozzle contents have dried out!) If necessary, order additional spare nozzles (art. no. 07630).</p>	<p><b>07.631</b></p>
	<p><b>Automix gun for LSG</b></p> <p>Use in combination with article 07.631</p>	<p><b>07.629</b></p>
	<p><b>Automix adapter for LSG</b></p> <p>Use in combination with article 07.631 (for use with a commercially available silicone syringe)</p>	<p><b>07.628</b></p>
	<p><b>Spare nozzle for LSG</b></p> <p>Use in combination with article 07.631</p>	<p><b>07.630</b></p>



	Product description	Art. No.
	<p><b>MUTO</b>  <b>Integrated locking device Battery</b>  for Comfort L, Premium XL, Premium Self-Closing and Premium Telescopic (not suitable as a security barrier)</p> <p><b>Consisting of:</b>  1 receiver unit  1 mounting bracket for locking  1 locking device  1 stopper XL  4 batteries (Energizer L92 Ultimate Lithium: AAA1.5V)  1 battery carrier</p> <p><b>Attention:</b> Not suitable for Synchro version.</p>	<p><b>36.859</b></p>
	<p><b>MUTO</b>  <b>Integrated locking device Battery</b>  for Comfort L, Premium XL, Premium Self-Closing and Premium Telescopic (not suitable as a security barrier)</p> <p><b>Consisting of:</b>  1 receiver unit  1 mounting bracket for locking  1 locking device  1 stopper XL</p> <p>Transformer, suitable for flush-mounted box</p> <p><b>Attention:</b> Not suitable for Synchro version.</p>	<p><b>36.885</b></p>
	<p><b>MUTO</b>  <b>Radio remote control</b>  for Comfort L, Premium XL and Self-Closing,</p> <p>1 Radio remote control  1 Battery</p>	<p><b>36.848</b></p>
	<p><b>MUTO</b>  <b>Wall switch with radio remote control</b>  for Comfort L, Premium XL and Self-Closing,</p> <p>1 Wall switch  1 Battery</p>	<p><b>36.849</b></p>

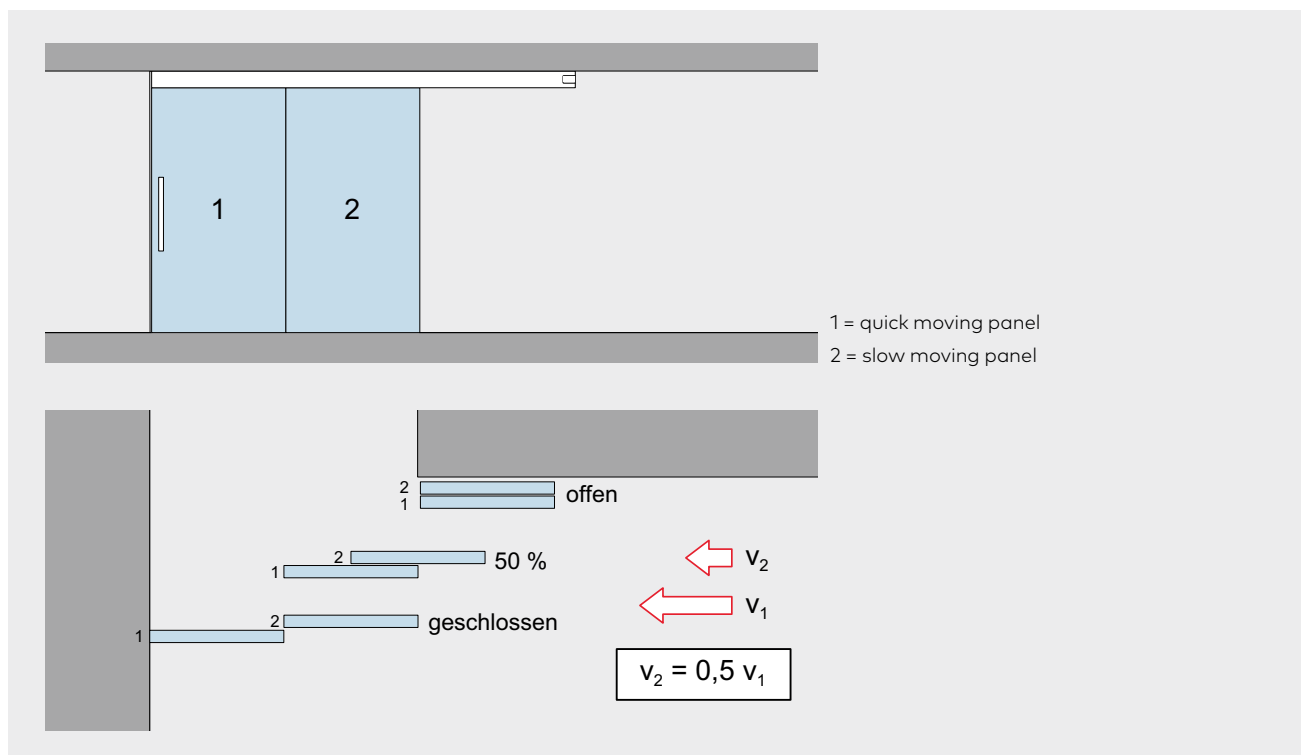
	Product description	Art. No.
	<p><b>MUTO</b>  <b>Accessory for locking unit</b>  for Comfort L, Premium XL and Self-Closing,</p> <p>1 cable set for an optional use of the status indicator integrated in the locking unit</p>	<p><b>36.855</b></p>
	<p><b>MUTO</b>  <b>Locking device set</b>  for Comfort L and Premium XL</p> <p><b>Consisting of:</b>  1 Sensor  1 Adapter for track reception  1 Cable</p>	<p><b>36.840</b></p>
	<p><b>Concealed transmitter BRC-T</b>  DORMA-GLAS bi-directional flush-mounted radio transmitter BRC-T, battery-operated, for installation in a switch with a deep flush-mounting box in conjunction with on-site push-button</p>	<p><b>29301003</b></p>

Vertical brush seals can be found on page 186

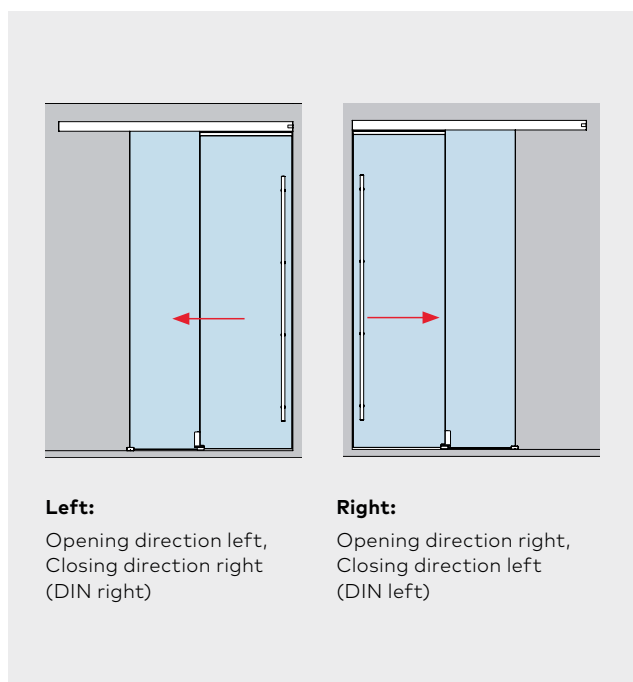
# MUTO Premium Telescopic 80

## Huge light openings, but small space requirement

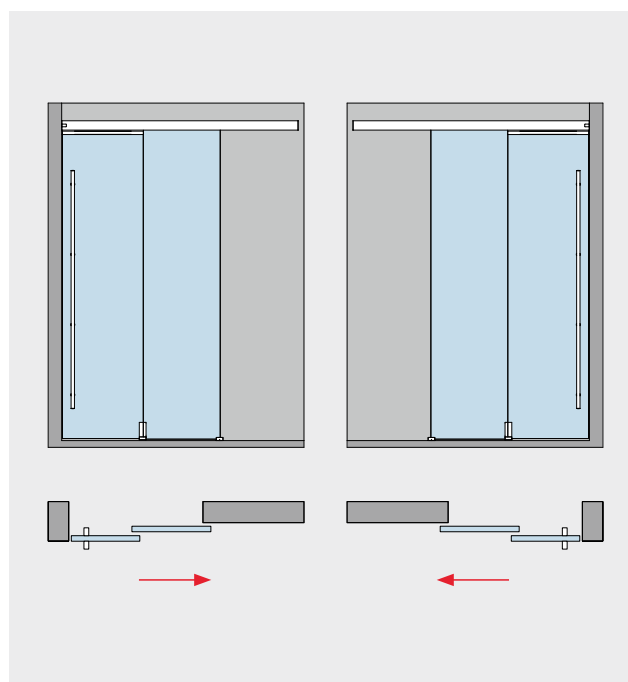
- Telescopic functionality.
- Synchronized panels, that means simultaneous movement of panel 1 (quick moving panel) and panel 2 (slow moving panel <= half speed of quick moving panel)
- DORMOTION functionality (optional)
- Integrated locking device (optional)
- Status indicator (optional)



### Opening directions



### Installation 90° stopped

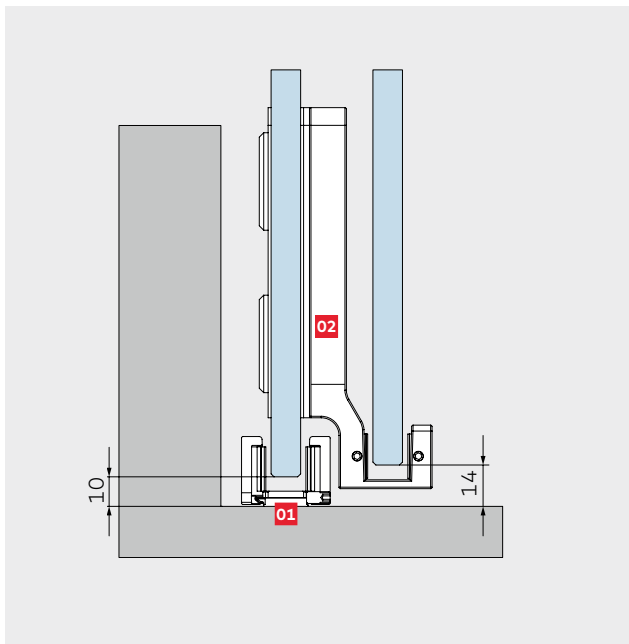


# Floor guide variants

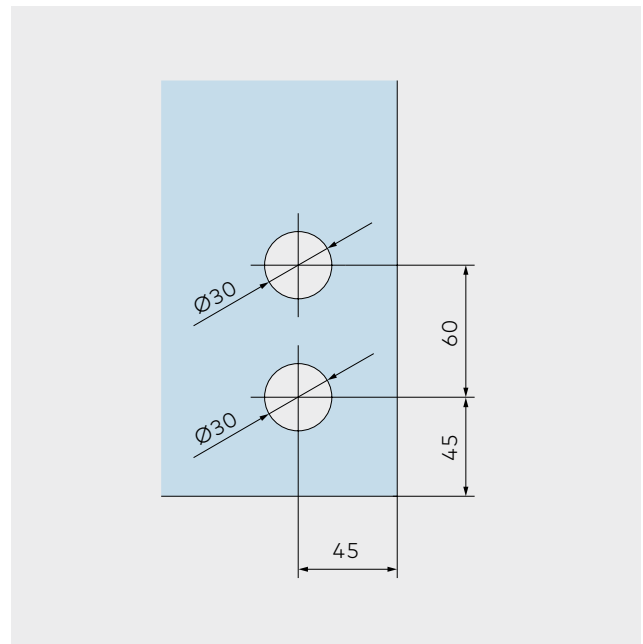
- Surface mounted variant glass door
- Recessed variant glass door
- Surface mounted variant timber door

**01** Standard fixed floor guide for guiding the slow moving panel (slow moving panel)

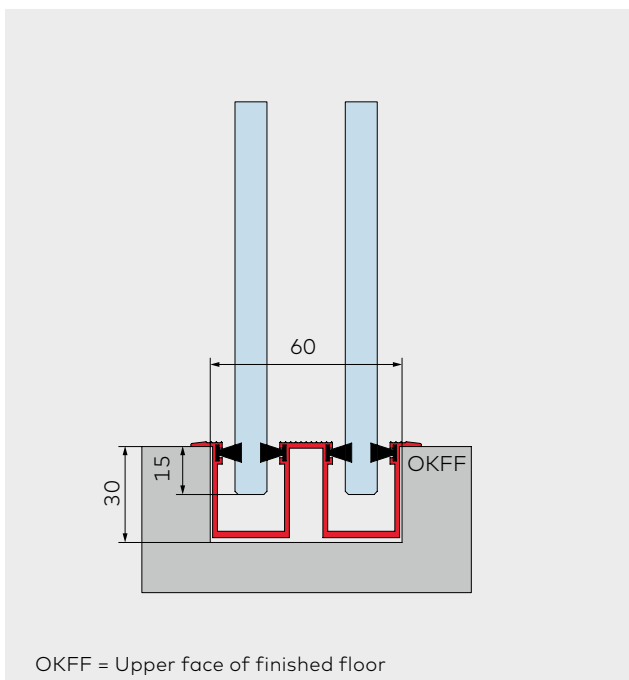
**02** Moving floor guide for guiding the moving panel (quick moving panel)



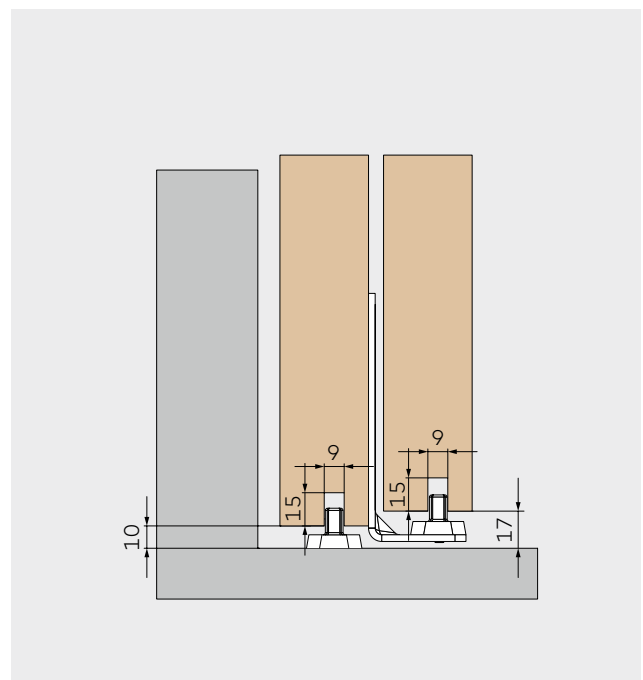
**Glass preparation for moving floor guide at slow moving panel**



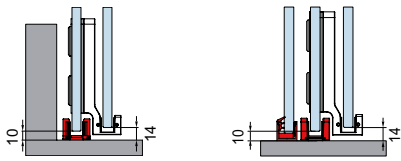
**Recessed floor guide for guiding the slow and quick moving panels**



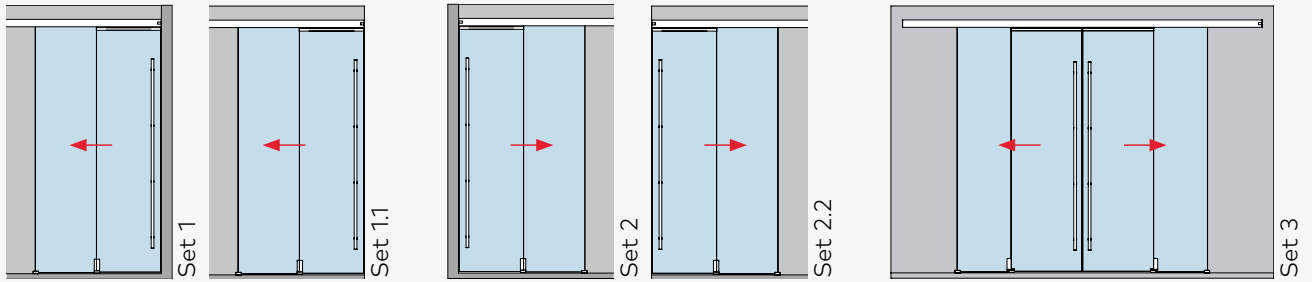
**Floor guide situation with timber doors**



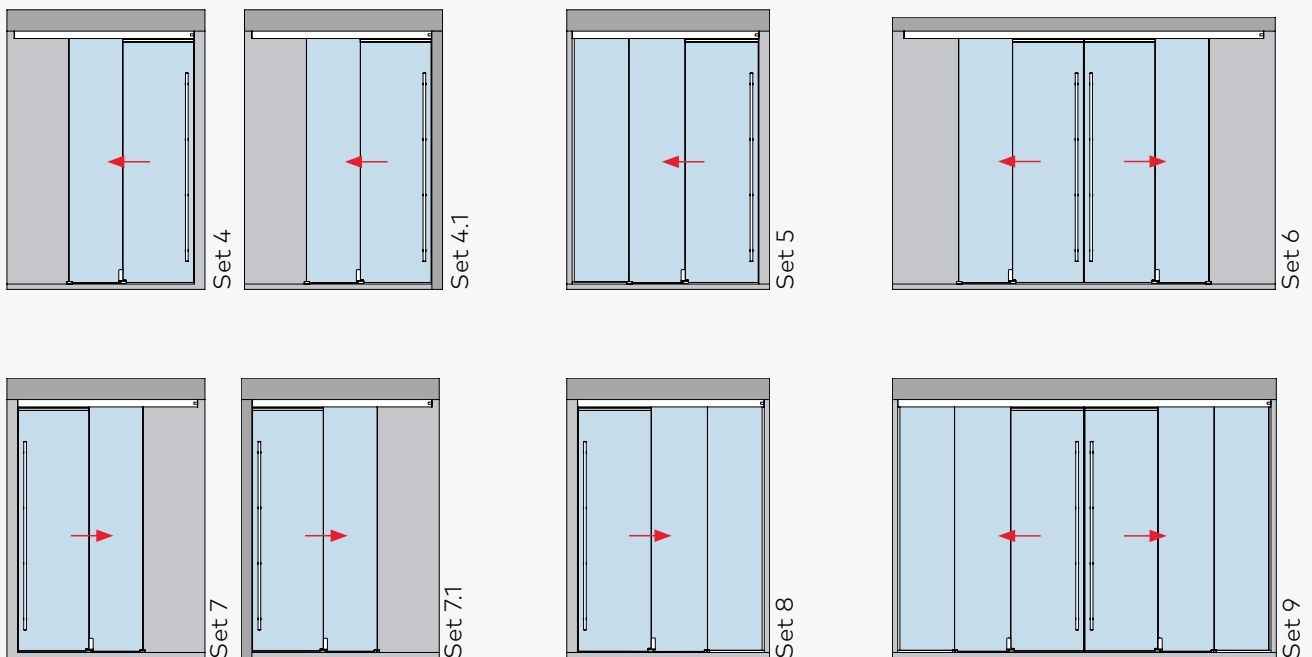
# Glass panel with moving floor guide



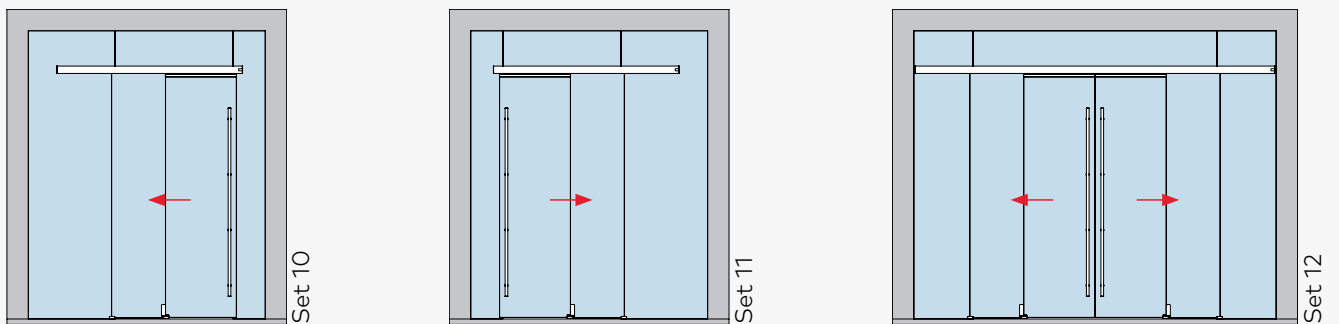
## Glass door (8 - 13.5 mm) for the installation at wall - 2 and 4 panels



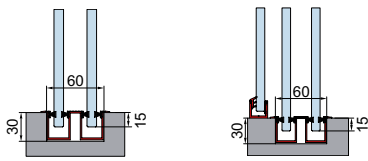
## Glass door (8 - 13.5 mm) for the installation at ceiling / with side light (10 - 19 mm) - 2 and 4 panels



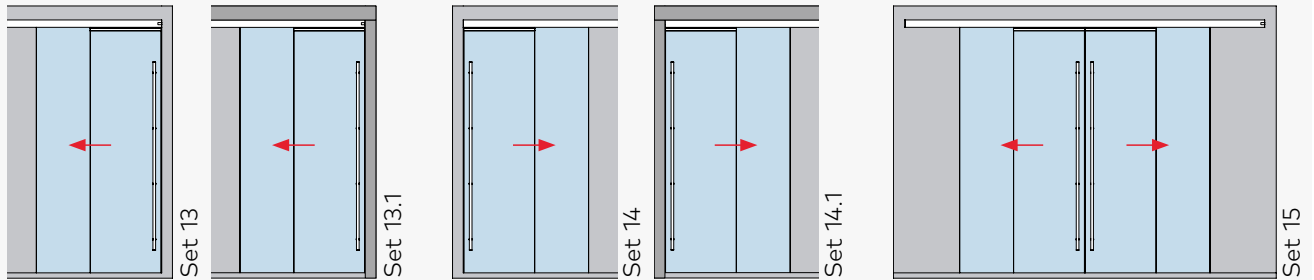
## Glass door (8 - 13.5 mm) with glass overpanel and glass side lights (10 - 19 mm) - 2 and 4 panels



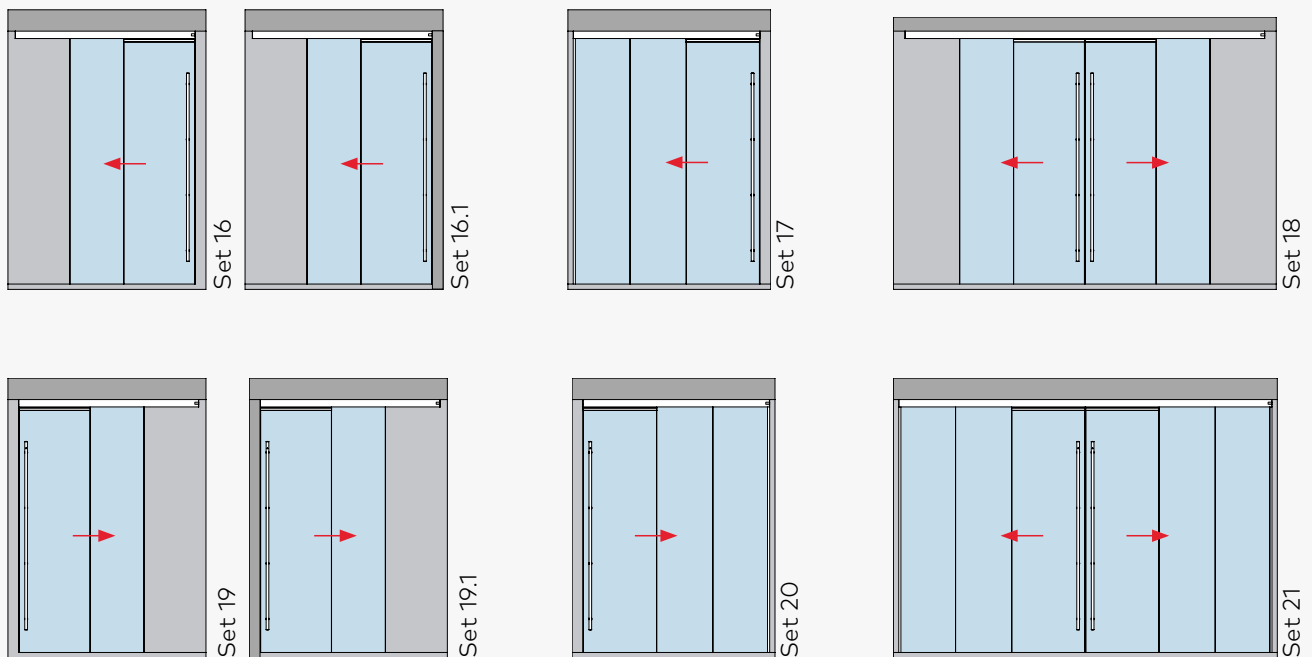
# Glass panel with recessed floor guide profile



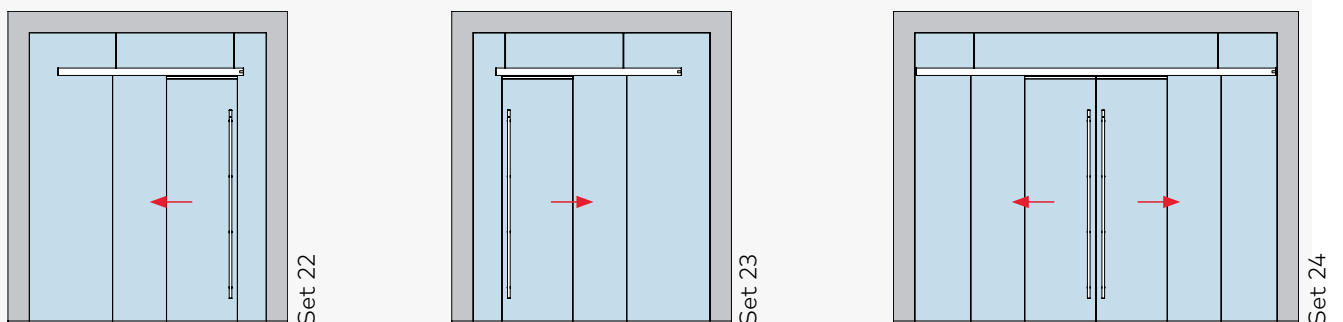
## Glass door (8 - 13.5 mm) for the installation at wall - 2 and 4 panels



## Glass door (8 - 13.5 mm) for the installation at ceiling / with side light (10 - 19 mm) - 2 and 4 panels



## Glass door (8 - 13.5 mm) with glass overpanel and glass side lights (10 - 19 mm) - 2 and 4 panels




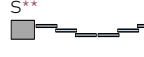



# Wide openings with small panels

Unless indicated otherwise all measurements are shown in mm.

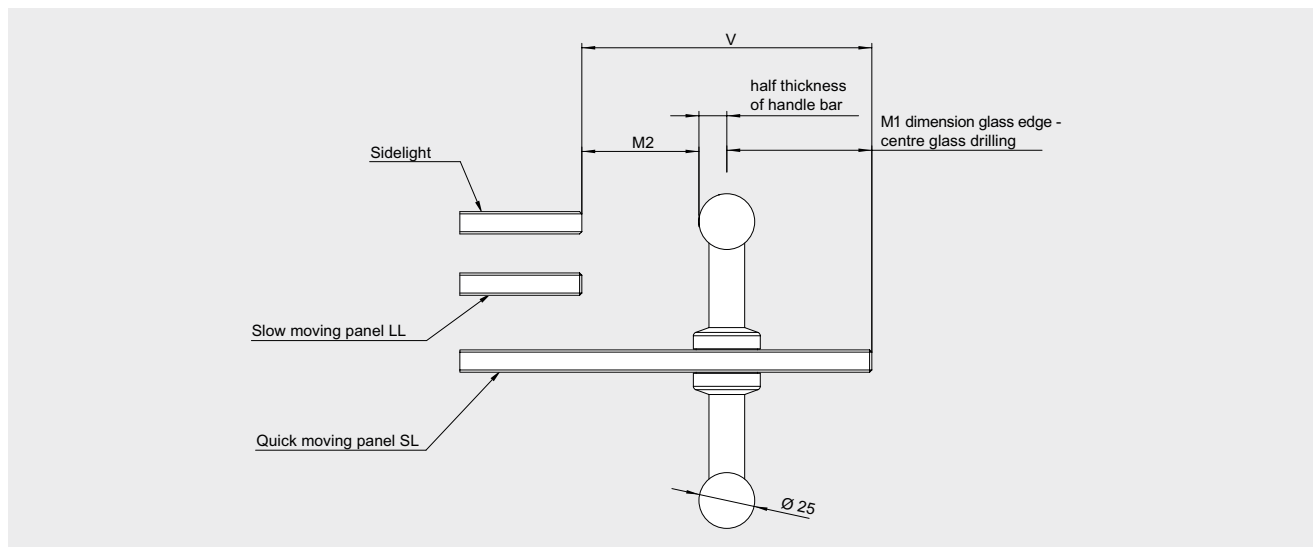
Panel width min.\* – 600 mm  
 Panel width max.\* – 1,287 mm

In a two-panel system, the sum of both panel widths must not exceed 2,400 mm.

with / without DORMOTION										
	without handle bar	with handle bar	without handle bar	with handle bar	without handle bar	with handle bar	without handle bar	with handle bar	without handle bar	with handle bar
<b>Min. panel width =</b>	600	665	600	665	600	687	600	687	600	665
<b>Light opening width</b>	1,110	1,110	2,286	2,286	1,750	1,750	3,496	3,496	1,145	1,145
<b>Max. panel width =</b>	1,200	1,265	1,000	1,065	1,200	1,287	1,000	1,087	1,200	1,265
<b>Light opening width</b>	2,310	2,310	3,886	3,886	3,550	3,550	5,896	5,896	2,345	2,345

\* Depending on installation (see detailed overview) related to quick moving panel.

\*\* Glass sidelight



V = Protrusion of the quick-moving panel (SL) when fitted with a pull handle (see Data Sheet 36-747)

## Hassle-free and competitive glass ordering

- Quick moving panel and slow moving panel are clamped – no additional glass preparation required
- Easy glass preparation for fixing the moving floor guide

## Manifold varieties

### Universal usability for different panel base material

- Wall installation
- Ceiling installation
- Ceiling installation with side panels
- Installation to glass overpanel
- LSG-usability due to "Clamp&Glue" Technology
- Applicable for glass panels and timber panels (timber panels require adapter profile)
- Max. 2 x 80 kg resp. 4 x 80 kg
- Possible glass thicknesses: 8 – 13.5 mm (continuous)

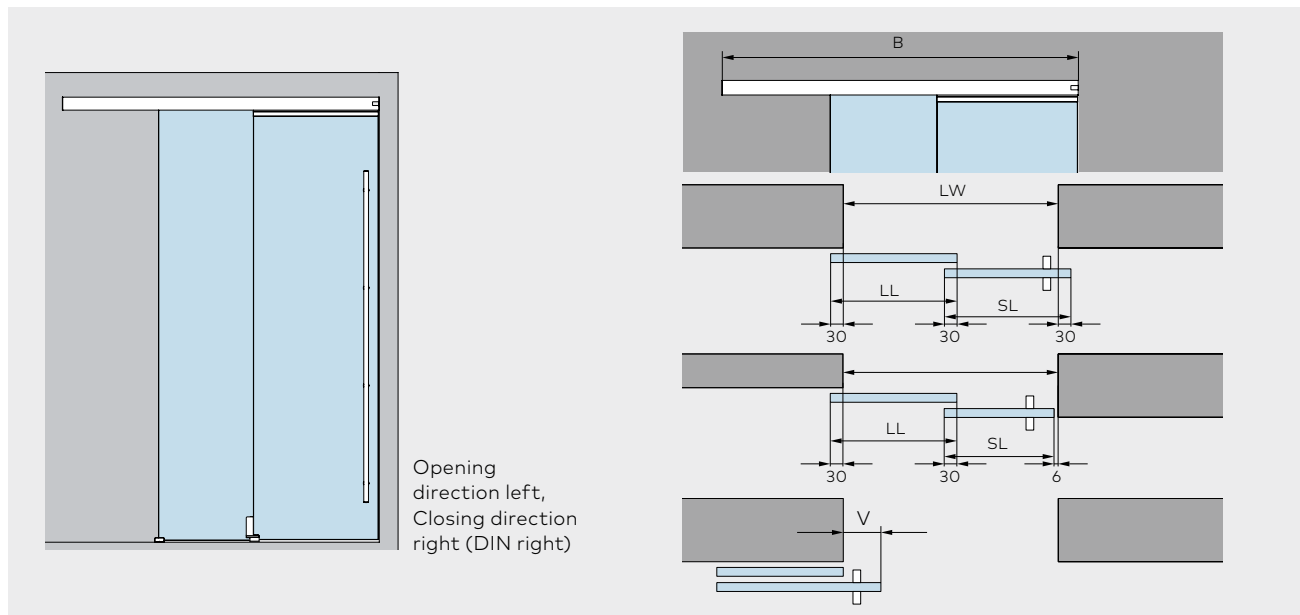
**Note:** The panel widths are always dependent on several factors. Before ordering the glass, it is advisable to have the panel widths checked by our company. The running track MUTO Premium Teleskopik 80 is specially manufactured for each order and cannot be adapted on site.

Precise measurements and order details are therefore important. We are happy to offer you the system, e.g. for optical reasons, with a longer track than required for the respective situation. Max. delivery length of the profiles: 5,940 mm.

We will be happy to assist you with the ordering process for MUTO Teleskopik 80. The corresponding order sheets from your contact person on request.

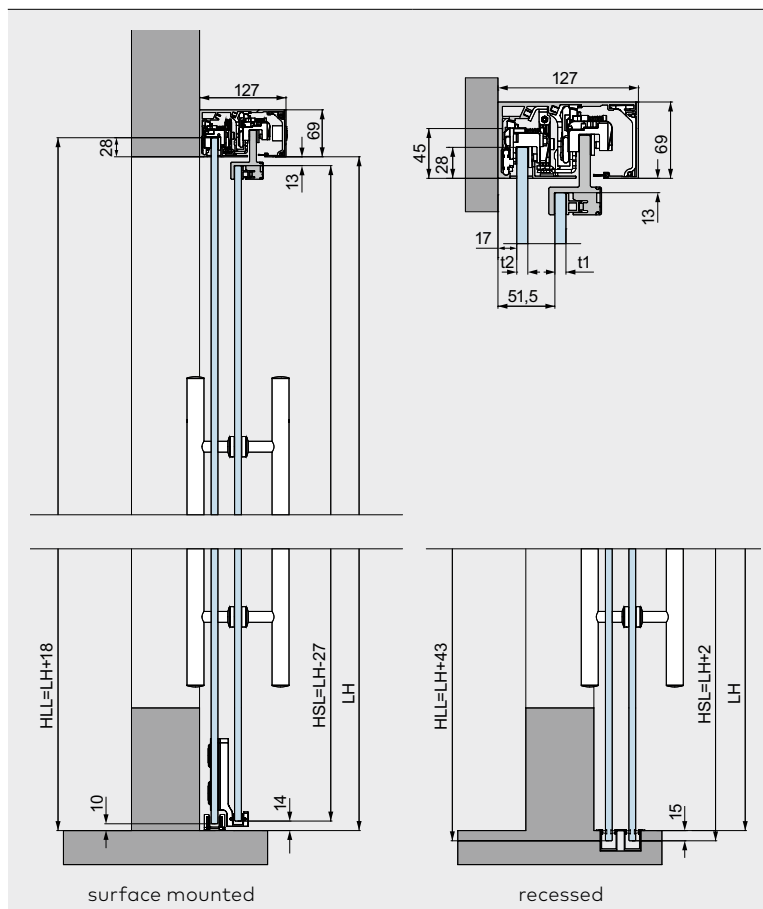


# Type illustrations wall installation



## Fixed at wall

## Product description



For installation with two door panels optional DORMOTION unit. When using a DORMOTION damping unit, we recommend installation of a pull handle.

**Max. weight of door panels**  
80 kg.

Min. and max. panel measures see page 110.

### Calculation of track length

2 panels  
 $B = 1.5 \times LW - V/2 + 85$

2 + 2 panels  
 $B = 1.5 \times LW - V + 67$

### Calculation of glass width

2 panels  
 $LL = (LW - V + 90) / 2$   
 $SL = LL + V$

2 + 2 panels  
 $LL = (LW - 2 \times V + 114) / 4$   
 $SL = LL + V$

### Calculation of glass height (=surface mounted)

$HLL = LH + 18$   
 $HSL = LH - 27$

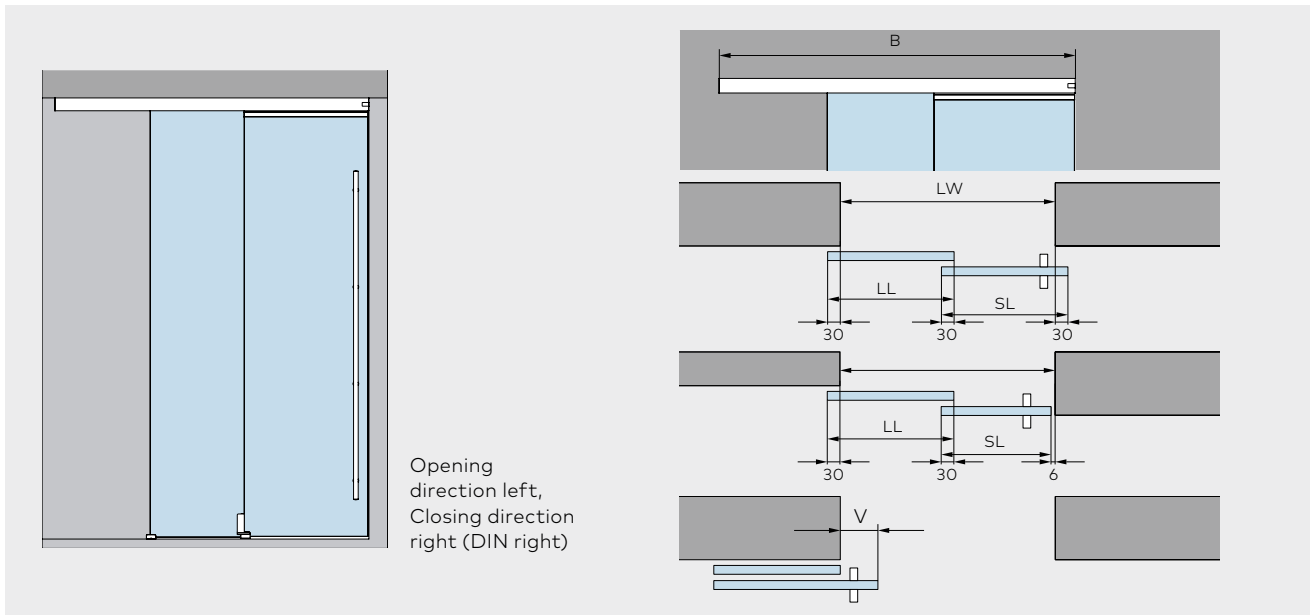
### Calculation of glass height (=recessed)

$HLL = LH + 43$   
 $HSL = LH + 2$

- B = Length of track
- HLL = Glass height slow moving panel
- HSL = Glass height quick moving panel
- LH = Clear opening height
- LW = Clear opening width

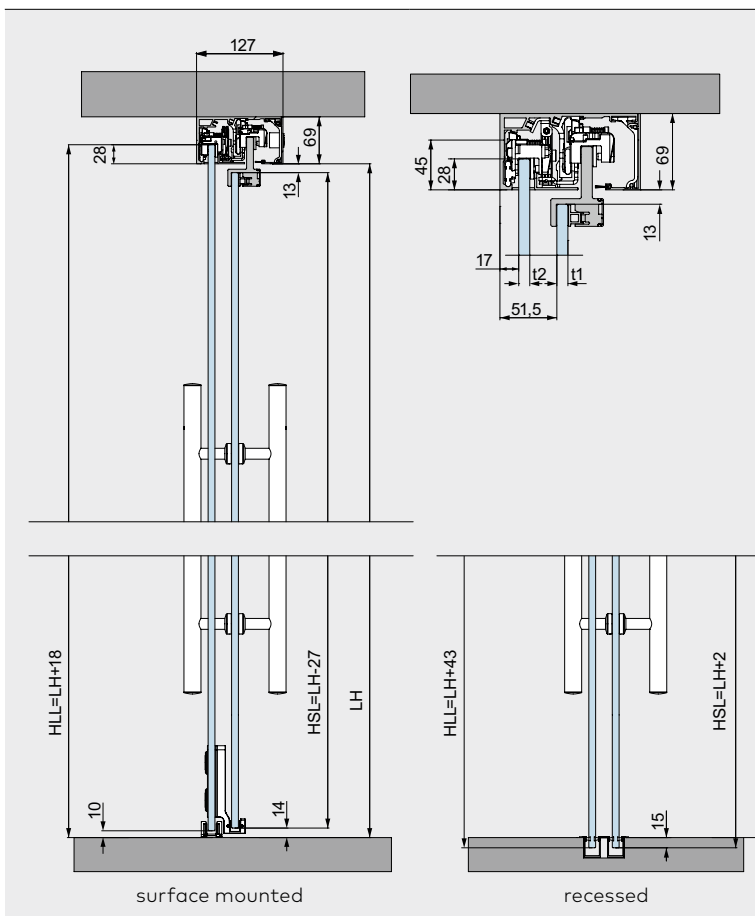
- LL = slow moving panel
- SL = quick moving panel
- t1 = Glass thickness quick moving panel (SL)
- t2 = Glass thickness slow moving panel (LL)
- V = Overlapping size of handle bar

# Type illustrations ceiling installation



## Fixed at ceiling

## Product description



For installation with two door panels fixed at ceiling, 8–13.5 mm glass thickness, optional DORMOTION unit. When using a DORMOTION damping unit, we recommend installation of a pull handle.

**Max. weight of door panels**  
80 kg.

Min. and max. panel measures see page 110.

**Calculation of track length**  
2 panels  
 $B = 1.5 \times LW - V/2 + 85$

2 + 2 panels  
 $B = 1.5 \times LW - V + 67$

**Calculation of glass width**  
2 panels  
 $LL = (LW - V + 90) / 2$   
 $SL = LL + V$

2 + 2 panels  
 $LL = (LW - 2 \times V + 114) / 4$   
 $SL = LL + V$

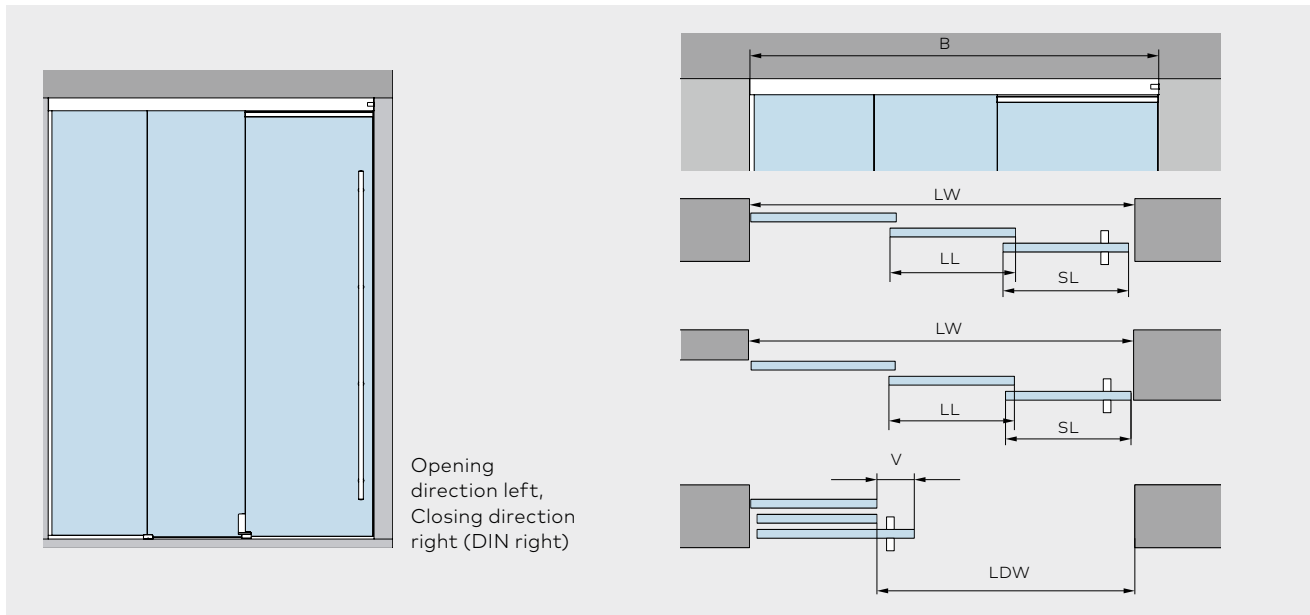
**Calculation of glass height (=surface mounted)**  
 $HLL = LH + 18$   
 $HSL = LH - 27$

**Calculation of glass height (=recessed)**  
 $HLL = LH + 43$   
 $HSL = LH + 2$

- B = Length of track
- HLL = Glass height slow moving panel
- HSL = Glass height quick moving panel
- LH = Clear opening height
- LW = Clear opening width

- LL = slow moving panel
- SL = quick moving panel
- t1 = Glass thickness quick moving panel (SL)
- t2 = Glass thickness slow moving panel (LL)
- V = Overlapping size of handle bar

# Type illustrations with sidelight, on one side



**With sidelight**

**Product description**

For installation with two door panels and sidelight on one side, fixed at ceiling, optional with DORMOTION unit. When using a DORMOTION damping unit, we recommend installation of a pull handle.

**Max. weight of door panels**

80 kg.

Min. and max. panel measures see page 110.

**Calculation of track length**

$$B = LW - 4 \text{ (incl. } 2 \times 2 \text{ mm end caps)}$$

**Calculation of glass width**

2 panels

$$LL = (LW - V + 51) / 3$$

$$SL = LL + V$$

2 + 2 panels

$$LL = (LW - 2 \times V + 102) / 6$$

$$SL = LL + V$$

**Calculation of glass height (=surface mounted)**

$$HLL = LH + 18$$

$$HSL = LH - 27$$

**Calculation of glass height (=recessed)**

$$HLL = LH + 43$$

$$HSL = LH + 2$$

**Height side panel**

2 panels

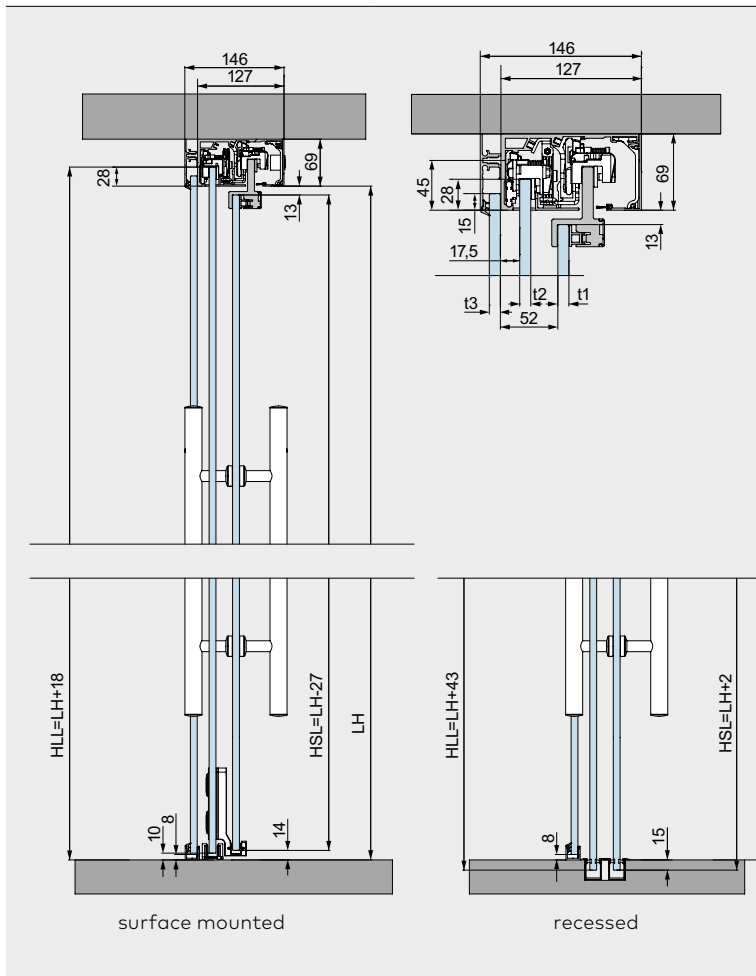
$$S \text{ min} = (LW - V + 66) / 3$$

$$LDW = LW - S - V$$

2 + 2 panels

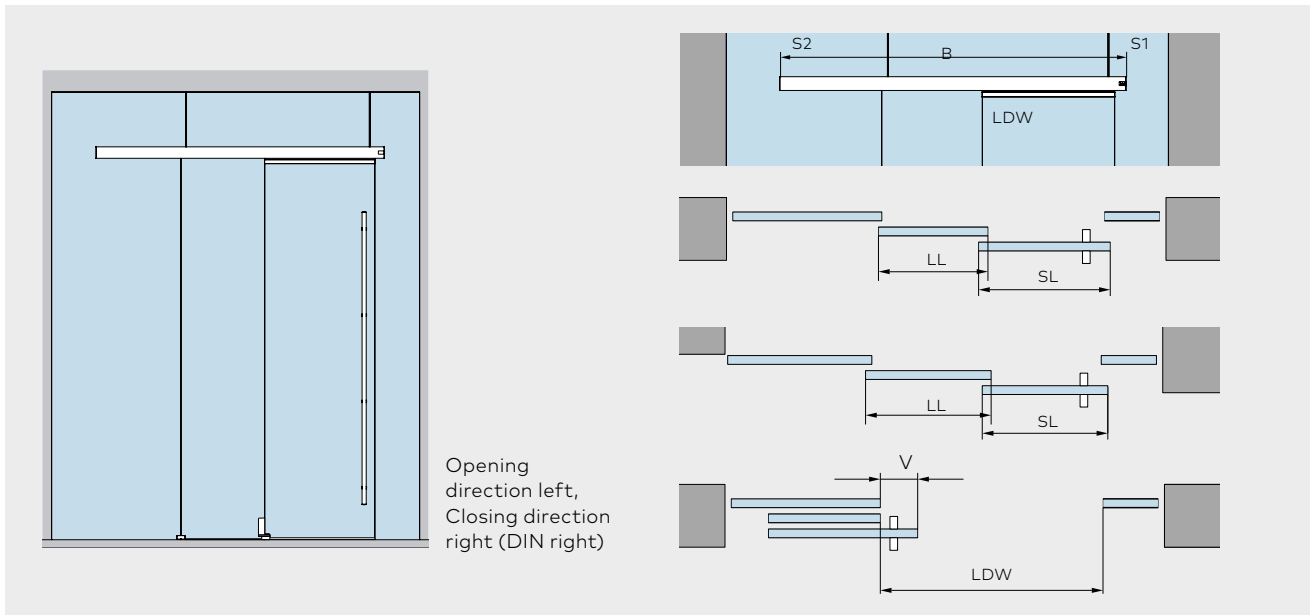
$$S \text{ min} = (LW - 2 \times V + 132) / 6$$

$$LDW = LW - 2 \times S - V \times 2$$

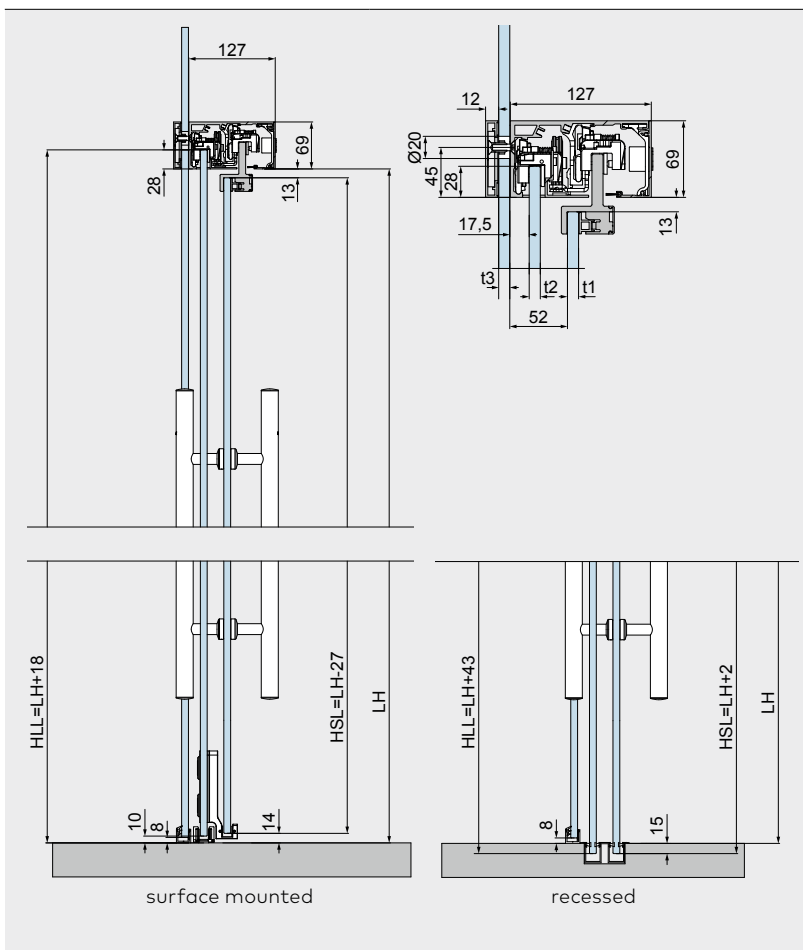


- |   |                                   |  |
|---|-----------------------------------|--|
| B = Length of track   | LW = Clear opening width          | t1 = Glass thickness quick moving panel (SL) |
| HLL = Glass height slow moving panel                        | LDW = Clear opening passage width | HS = Height side panel                       |
| HSL = Glass height quick moving panel                       | LL = Slow moving panel            | t2 = Glass thickness slow moving panel (LL)  |
| LH = Clear opening height (up to lower edge of track rail!) | SL = Quick moving panel           | t3 = Glass thickness sidepanel               |
|   | S = Glass sidelight               | V = Overlapping size of handle bar           |

# Type illustrations glass installation



## Fixed at ceiling



## Product description

For installation with two door panels fixed at glass, 8–13.5 mm glass thickness, optional with DORMOTION unit. When using a DORMOTION damping unit, we recommend installation of a pull handle.

**Max. weight of door panels**  
80 kg.

Min. and max. panel measures see page 110.

**Calculation track length**  
2 panels  
 $B = 1.5 \times LW - V/2 + 135$

2 + 2 panels  
 $B = 1.5 \times LW - V + 67$

**Calculation of glass width**  
2 panels  
 $LL = (LW - V + 90) / 2$   
 $SL = LL + V$

2 + 2 panels  
 $LL = (LW - 2 \times V + 114) / 4$   
 $SL = LL + V$

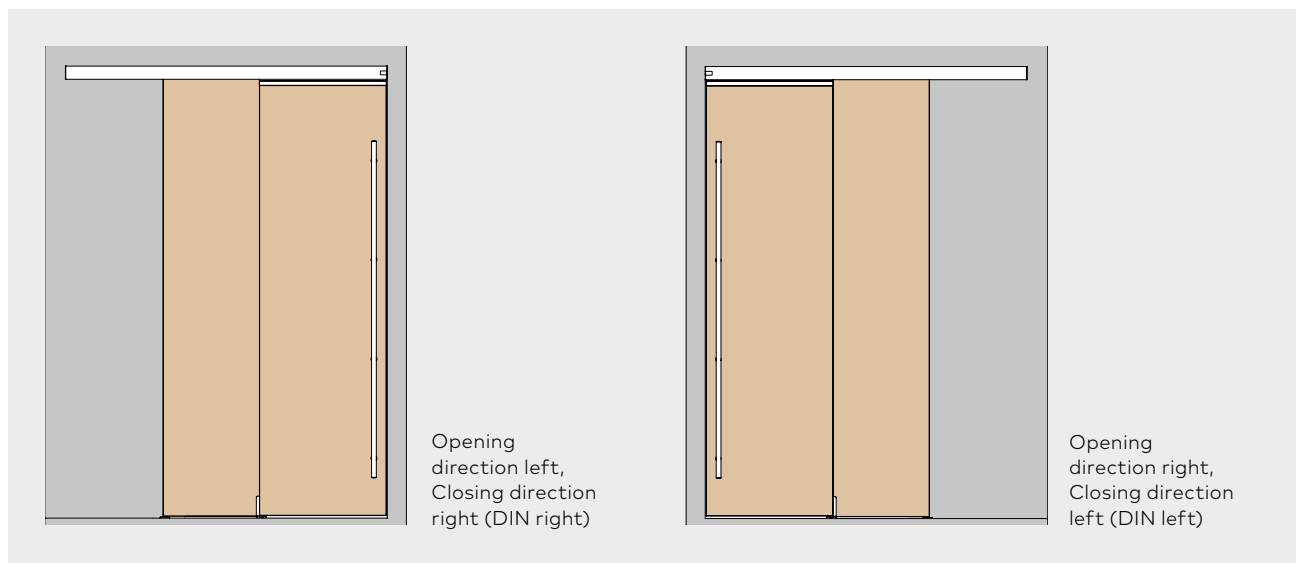
**Calculation of glass height (=surface mounted)**  
 $HLL = LH + 18$   
 $HSL = LH - 27$

**Calculation of glass height (=recessed)**  
 $HLL = LH + 43$   
 $HSL = LH + 2$

You will find a calculation tool for the glass preparation of the fixed parts MUTO on glass under the following link  
<https://glas-innovationen.com/products/muto>

- |                                       |                          |  |
|---------------------------------------|--------------------------|--|
| B = Length of track                   | LW = Clear opening width | t1 = Glass thickness quick moving panel (SL) |
| HLL = Glass height slow moving panel  | LL = Slow moving panel   | t2 = Glass thickness slow moving panel (LL)  |
| HSL = Glass height quick moving panel | SL = Quick moving panel  | t3 = Glass thickness sidepanel               |
| LH = Clear opening height             |                          | V = Overlapping size of handle bar           |

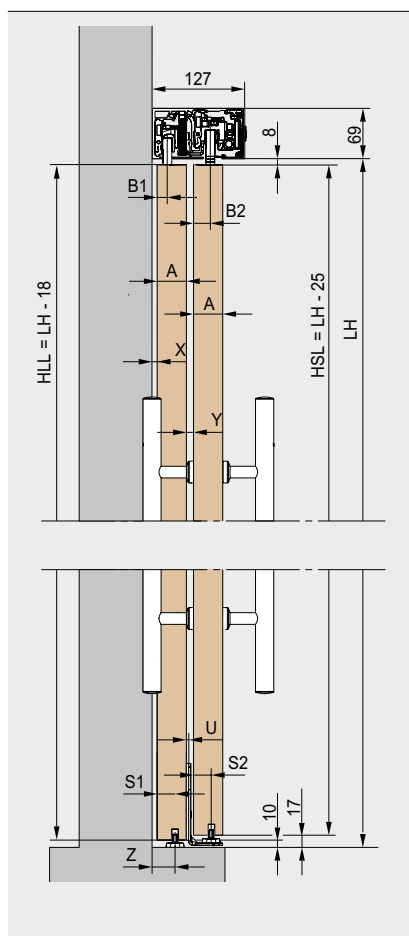
# Type illustrations for timber door



Opening direction left, Closing direction right (DIN right)

Opening direction right, Closing direction left (DIN left)

### Fixed at wall



A	S1	S2	X	Y	Z	B1	B2	U
28	9.5	9.5	11	23	25	10	18	6
29	9.5	9.5	11	22	25	10	18	5
30	9.5	9.5	11	21	25	10	18	4
31	9.5	9.5	11	20	25	10	18	3
32	9.5	9.5	11	19	25	10	18	2
33	9.5	9.5	11	18	25	10	18	1
34	9.5	9.5	11	17	25	10	18	-
35	14	14	11	13	29.5	10	21.5	-
36	14	14	11	13	29.5	10	20.5	-
37	14	14	11	13	29.5	10	19.5	-
38	14	14	11	13	29.5	10	18.5	-
39	14	14	11	13	29.5	10	17.5	-
40	20	20	7	7	31.5	14	26	-
41	20	20	7	7	31.5	14	25	-
42	20	20	7	7	31.5	14	24	-
43	20	20	7	7	31.5	14	23	-
44	20	20	7	7	31.5	14	22	-
45	20	20	7	7	31.5	14	21	-
46	20	20	7	7	31.5	14	20	-
47	20	20	7	7	31.5	14	19	-
48	20	20	7	7	31.5	14	18	-
49	20	20	7	7	31.5	14	17	-
50	20	20	7	7	31.5	14	16	-

### Product description

Product description  
For installation with two timber doors, for 28–50 mm timber elements

Optional with DORMOTION unit. When using a DORMOTION damping unit, we recommend installation of a pull handle.

**Max. weight of door panels**  
80 kg.

Min. and max. panel measures see page 110.

**Calculation of track length**  
cf. glass calculations

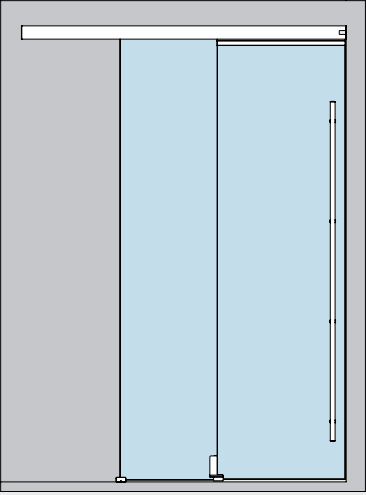

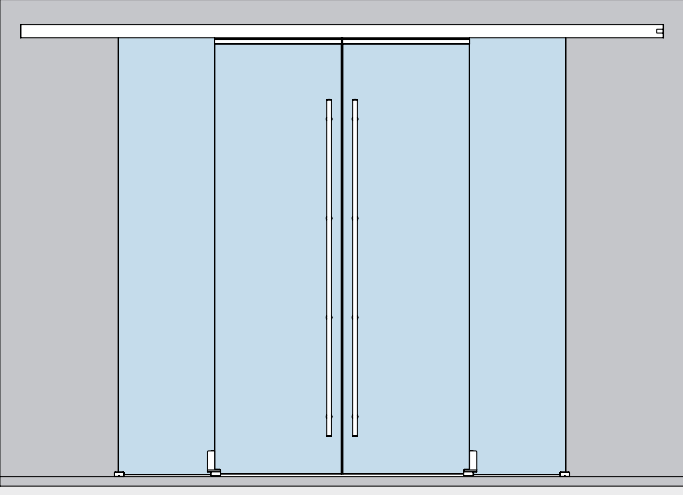
**Calculation panel width**  
cf. glass calculations

**Calculation of panel height**  
HLL = LH + 18  
HSL = LH - 25

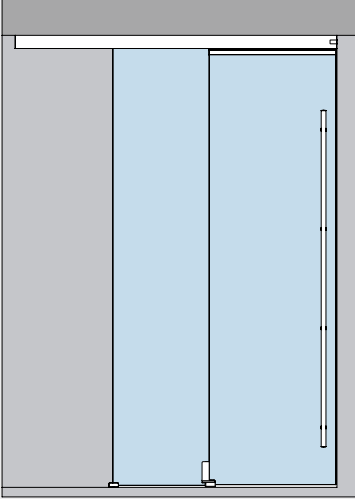
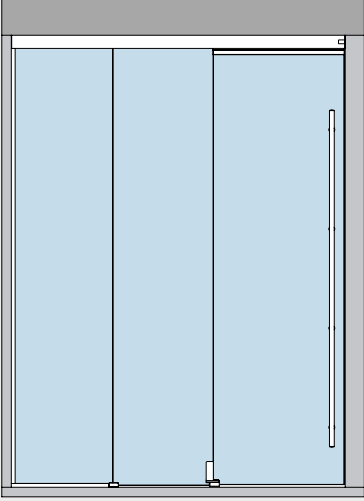
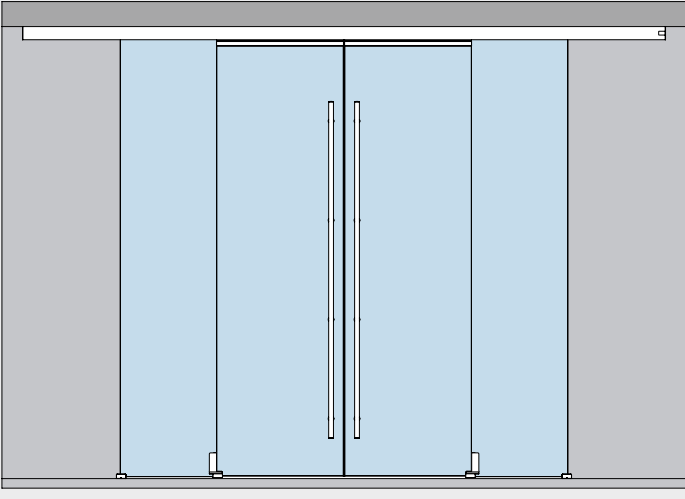
Timber door in upper area from 100 mm, solid wood, for attachment to timber adapter.

- LH = Clear opening height
- HLL = Glass height slow moving panel
- HSL = Glass height quick moving panel

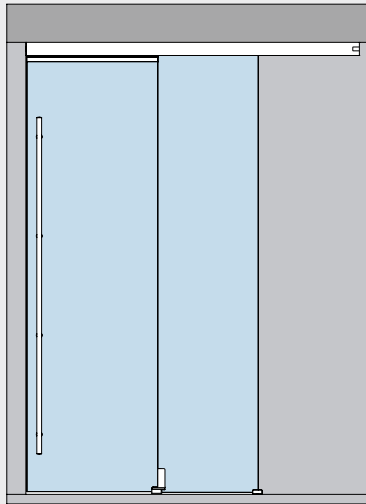
# Glass door sets, with moving floor guide

Fixed at wall	Product description	Art. No.
	<p><b>MUTO Premium Telescopic 80</b></p> <p><b>Set 1</b> for wall installation, with moving floor guide, 2 panels (left)</p> <p>Incl. track profile, cover profile and brushes</p> <p>Complete accessories for 8 – 13.5 mm glass thickness, max. 80 kg</p> <p>Prepared for option DORMOTION</p>	<p><b>36.701</b></p>
	<p><b>MUTO Premium Telescopic 80</b></p> <p><b>Set 2</b> for wall installation, with moving floor guide, 2 panels (right)</p> <p>Incl. track profile, cover profile and brushes</p> <p>Complete accessories for 8 – 13.5 mm glass thickness, max. 80 kg</p> <p>Prepared for option DORMOTION</p>	<p><b>36.702</b></p>
	<p><b>MUTO Premium Telescopic 80</b></p> <p><b>Set 3</b> for wall installation, with moving floor guide, 4 panels (2 left / 2 right)</p> <p>Incl. track profile, cover profile and brushes</p> <p>Complete accessories for 8 – 13.5 mm glass thickness, max. 80 kg</p> <p>Prepared for option DORMOTION</p>	<p><b>36.709</b></p>

Please ensure that the order form is complete when submitting an order.

Fixed at ceiling	Product description	Art. No.
	<p><b>MUTO Premium Telescopic 80</b></p> <p><b>Set 4</b> for ceiling installation, with moving floor guide, 2 panels (left)</p> <p>Incl. track profile, cover profile and brushes</p> <p>Complete accessories for 8 – 13.5 mm glass thickness, max. 80 kg</p> <p>Prepared for option DORMOTION</p>	36.703
	<p><b>MUTO Premium Telescopic 80</b></p> <p><b>Set 5</b> for ceiling installation, with moving floor guide, 2 panels (left) plus side panel</p> <p>Incl. track profile, cover profile, side panel profile and brushes</p> <p>Complete accessories for 8 – 13.5 mm glass thickness, max. 80 kg</p> <p>Prepared for option DORMOTION</p>	36.704
	<p><b>MUTO Premium Telescopic 80</b></p> <p><b>Set 6</b> for ceiling installation, with moving floor guide, 4 panels (2 left / 2 right)</p> <p>Incl. track profile, cover profile, side panel profile and brushes</p> <p>Complete accessories for 8 – 13.5 mm glass thickness, max. 80 kg</p> <p>Prepared for option DORMOTION</p>	36.710

Please ensure that the order form is complete when submitting an order.

**Fixed at ceiling****Product description****Art. No.****MUTO Premium Telescopic 80****Set 7****36.705**

for ceiling installation, with moving floor guide, 2 panels (right)

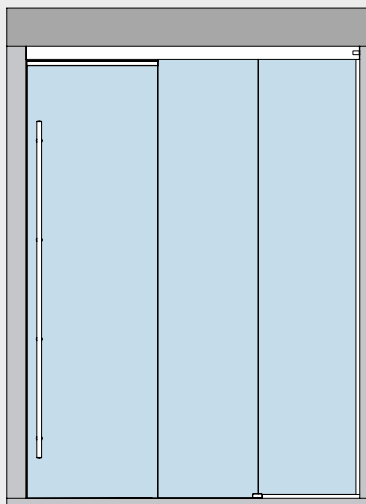
Incl. track profile, cover profile and brushes

Complete accessories for 8 – 13.5 mm glass thickness, max. 80 kg

Prepared for option DORMOTION

**Set 7.1****36.740**

also for lintel/90° stopped

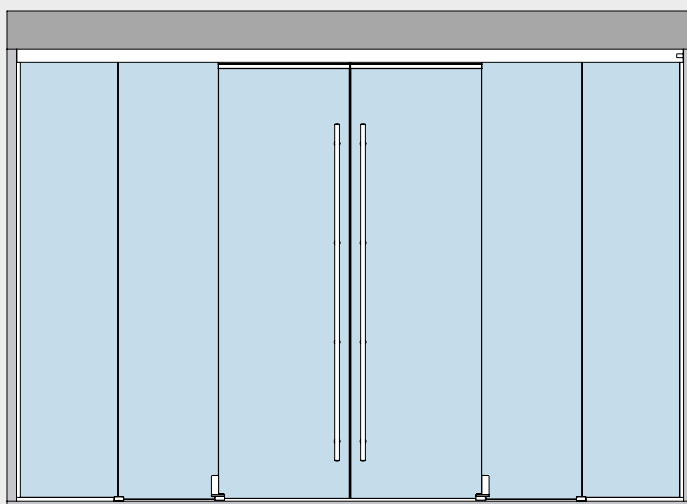
**MUTO Premium Telescopic 80****Set 8****36.706**

for ceiling installation, with moving floor guide, 2 panels (right) plus side panel

Incl. track profile, cover profile, side panel profile and brushes

Complete accessories for 8 – 13.5 mm glass thickness, max. 80 kg

Prepared for option DORMOTION

**MUTO Premium Telescopic 80****Set 9****36.711**

for ceiling installation, with moving floor guide, 4 panels (2 left / 2 right) plus side panels

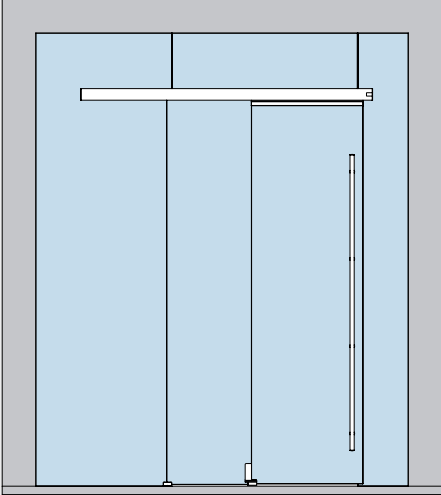
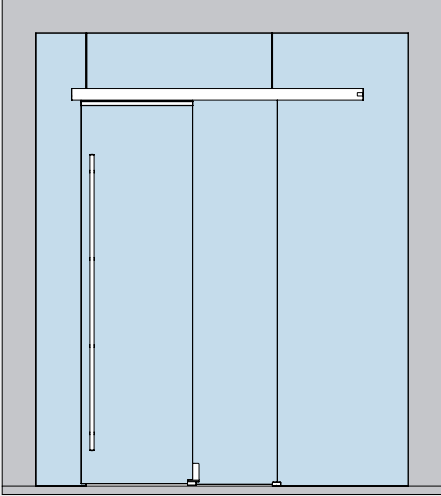
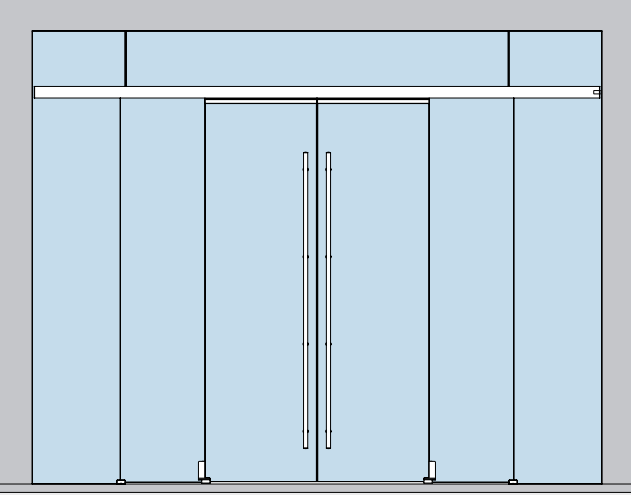
Incl. track profile, cover profile, side panel profiles and brushes

Complete accessories for 8 – 13.5 mm glass thickness, max. 80 kg

Prepared for option DORMOTION

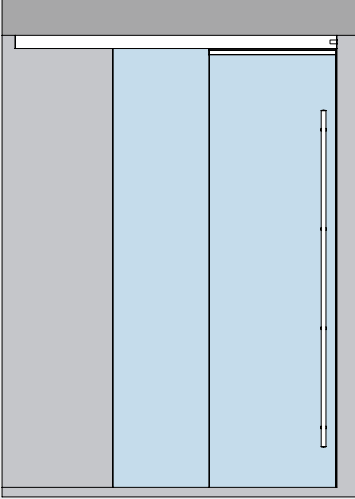
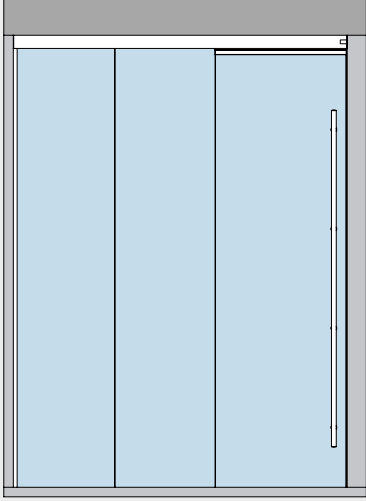
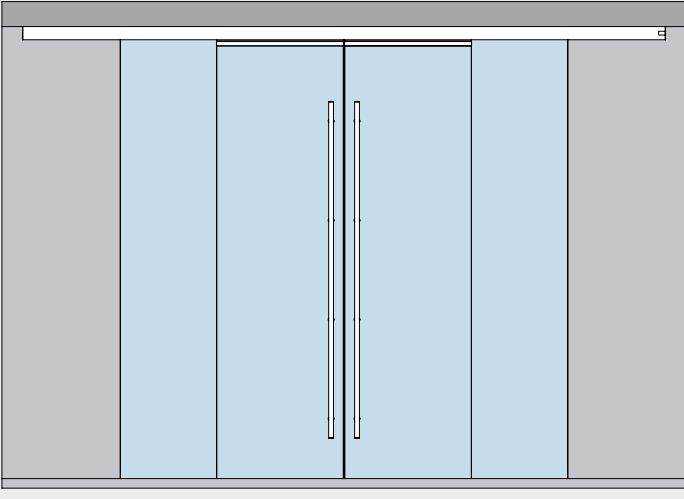
Please ensure that the order form is complete when submitting an order.



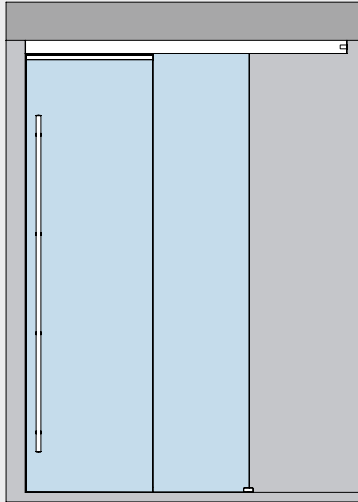
Fixed at glass	Product description	Art. No.
	<p><b>MUTO Premium Telescopic 80</b></p> <p><b>Set 10</b> for glass installation, with moving floor guide, 2 panels (left)</p> <p>Incl. track profile, cover-, counter profile and brushes</p> <p>Complete accessories for 8 – 13.5 mm glass thickness, max. 80 kg</p> <p>Prepared for option DORMOTION</p>	36.707
	<p><b>MUTO Premium Telescopic 80</b></p> <p><b>Set 11</b> for glass installation, with moving floor guide, 2 panels (right)</p> <p>Incl. track profile, cover-, counter profile and brushes</p> <p>Complete accessories for 8 – 13.5 mm glass thickness, max. 80 kg</p> <p>Prepared for option DORMOTION</p>	36.708
	<p><b>MUTO Premium Telescopic 80</b></p> <p><b>Set 12</b> for glass installation, with moving floor guide, 4 panels (2 left / 2 right)</p> <p>Incl. track profile, cover-, counter profile and brushes</p> <p>Complete accessories for 8 – 13.5 mm glass thickness, max. 80 kg</p> <p>Prepared for option DORMOTION</p>	36.712

Please ensure that the order form is complete when submitting an order.



Fixed at ceiling	Product description	Art. No.
	<p><b>MUTO Premium Telescopic 80</b></p> <p><b>Set 16</b> for ceiling installation, with recessed floor guide profile, 2 panels (left)</p> <p>Incl. track profile, cover profile and brushes</p> <p>Complete accessories for 8 – 13.5 mm glass thickness, max. 80 kg</p> <p>Prepared for option DORMOTION</p>	36.715
	<p><b>MUTO Premium Telescopic 80</b></p> <p><b>Set 17</b> for ceiling installation, with recessed floor guide profile, 2 panels (left) plus side panel</p> <p>Incl. track profile, cover profile, side panel profile and brushes</p> <p>Complete accessories for 8 – 13.5 mm glass thickness, max. 80 kg</p> <p>Prepared for option DORMOTION</p>	36.716
	<p><b>MUTO Premium Telescopic 80</b></p> <p><b>Set 18</b> for ceiling installation, with recessed floor guide profile, 4 panels (2 left / 2 right)</p> <p>Incl. track profile, cover profile and brushes</p> <p>Complete accessories for 8 – 13.5 mm glass thickness, max. 80 kg</p> <p>Prepared for option DORMOTION</p>	36.722

Please ensure that the order form is complete when submitting an order.

**Fixed at ceiling****Product description****Art. No.****MUTO Premium Telescopic 80****Set 19****36.717**

for ceiling installation, with recessed floor guide profile, 2 panels (right)

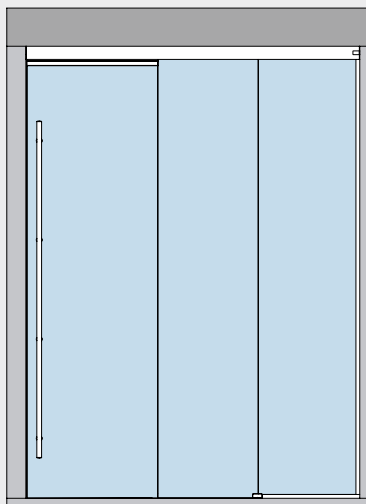
Incl. track profile, cover profile and brushes

Complete accessories for 8 – 13.5 mm glass thickness, max. 80 kg

Prepared for option DORMOTION

**Set 19.1****36.744**

also for lintel/90° stopped

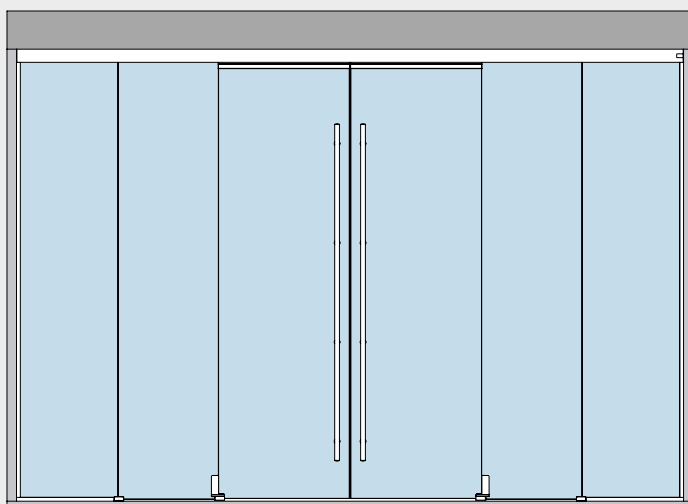
**MUTO Premium Telescopic 80****Set 20****36.718**

for ceiling installation, with recessed floor guide profile, 2 panels (right) plus side panel

Incl. track profile, cover profile, side panel profile and brushes

Complete accessories for 8 – 13.5 mm glass thickness, max. 80 kg

Prepared for option DORMOTION

**MUTO Premium Telescopic 80****Set 21****36.723**

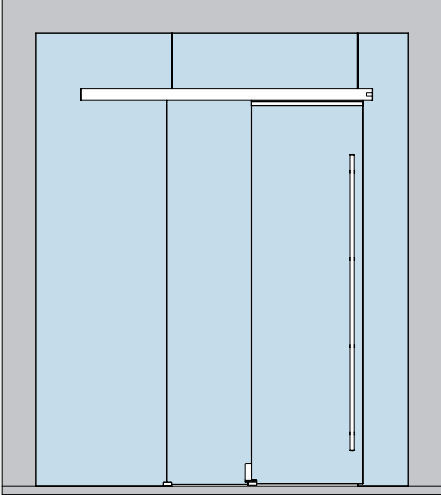
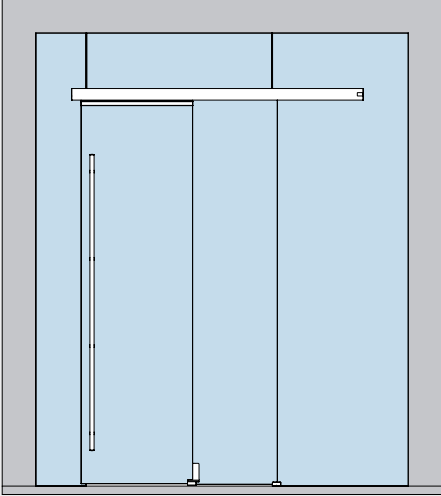
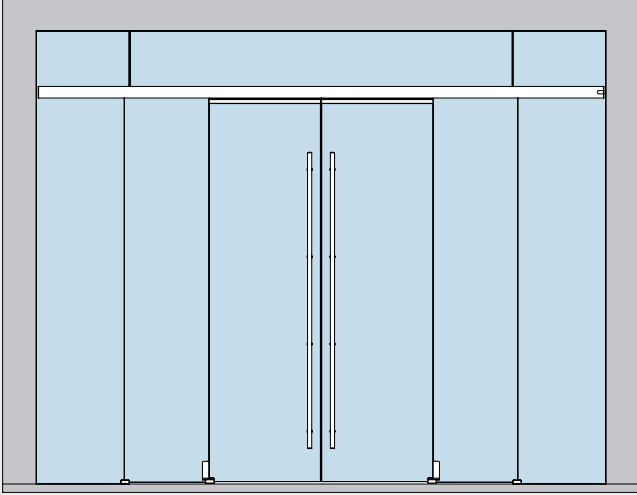
for ceiling installation, with recessed floor guide profile, 4 panels (2 left / 2 right) plus side panels

Incl. track profile, cover profile, side panel profiles and brushes

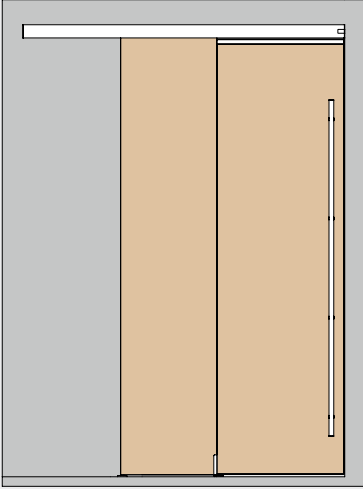
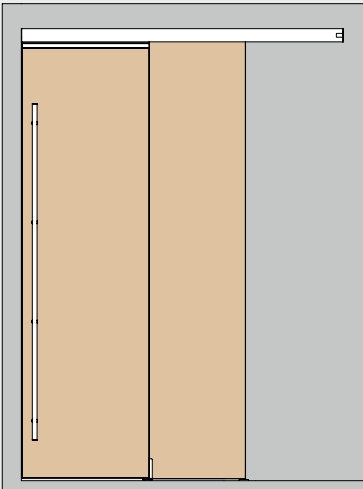
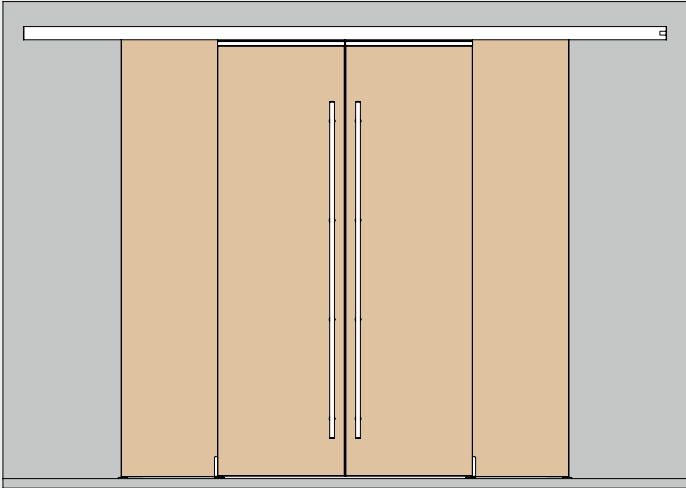
Complete accessories for 8 – 13.5 mm glass thickness, max. 80 kg

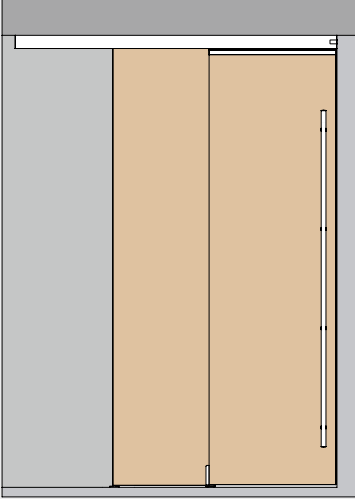
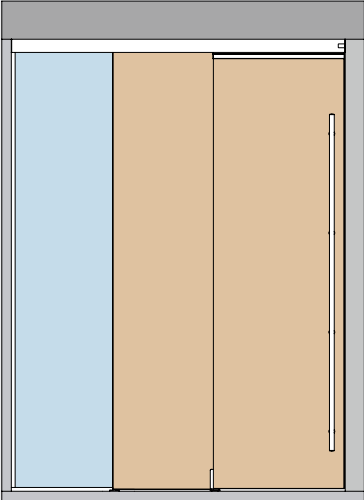
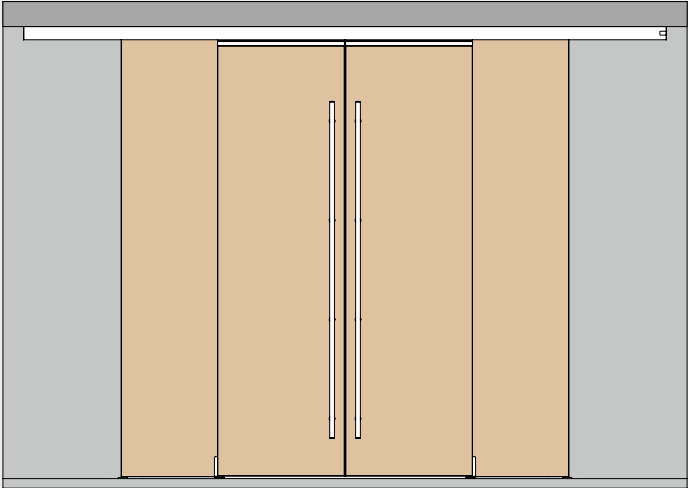
Prepared for option DORMOTION

Please ensure that the order form is complete when submitting an order.

Fixed at glass	Product description	Art. No.
	<p><b>MUTO Premium Telescopic 80</b></p> <p><b>Set 22</b> for glass installation, with recessed floor guide profile, 2 panels (left)</p> <p>Incl. track profile, cover-, counter profile and brushes</p> <p>Complete accessories for 8 – 13.5 mm glass thickness, max. 80 kg</p> <p>Prepared for option DORMOTION</p>	<p><b>36.719</b></p>
	<p><b>MUTO Premium Telescopic 80</b></p> <p><b>Set 23</b> for glass installation, with recessed floor guide profile, 2 panels (right)</p> <p>Incl. track profile, cover-, counter profile and brushes</p> <p>Complete accessories for 8 – 13.5 mm glass thickness, max. 80 kg</p> <p>Prepared for option DORMOTION</p>	<p><b>36.720</b></p>
	<p><b>MUTO Premium Telescopic 80</b></p> <p><b>Set 24</b> for glass installation, with recessed floor guide profile, 4 panels (2 left / 2 right)</p> <p>Incl. track profile, cover-, counter profile and brushes</p> <p>Complete accessories for 8 – 13.5 mm glass thickness, max. 80 kg</p> <p>Prepared for option DORMOTION</p>	<p><b>36.724</b></p>
<p>Please ensure that the order form is complete when submitting an order.</p>		

# Timber door sets, with moving floor guide

Fixed at wall	Product description	Art. No.
	<p><b>MUTO Premium Telescopic 80</b></p> <p><b>Set 25</b> for wall installation, with moving floor guide, 2 panels (left),</p> <p>Incl. track profile, cover profile and brushes.</p> <p>For 28 – 50 mm timber elements, max. 80 kg</p> <p>Prepared for option DORMOTION</p>	<b>36.725</b>
	<p><b>Set 25.1</b> also for lintel/90° stopped</p>	<b>36.792</b>
	<p><b>MUTO Premium Telescopic 80</b></p> <p><b>Set 26</b> for wall installation, with moving floor guide, 2 panels (right),</p> <p>Incl. track profile, cover profile and brushes.</p> <p>For 28 – 50 mm timber elements, max. 80 kg</p> <p>Prepared for option DORMOTION</p>	<b>36.726</b>
	<p><b>Set 26.1</b> also for lintel/90° stopped</p>	<b>36.793</b>
	<p><b>MUTO Premium Telescopic 80</b></p> <p><b>Set 27</b> for wall installation, with moving floor guide, 4 panels (2 left / 2 right)</p> <p>Incl. track profile, cover profile and brushes</p> <p>For 28 – 50 mm timber elements, max. 80 kg</p> <p>Prepared for option DORMOTION</p>	<b>36.733</b>
	<p>Please ensure that the order form is complete when submitting an order.</p>	

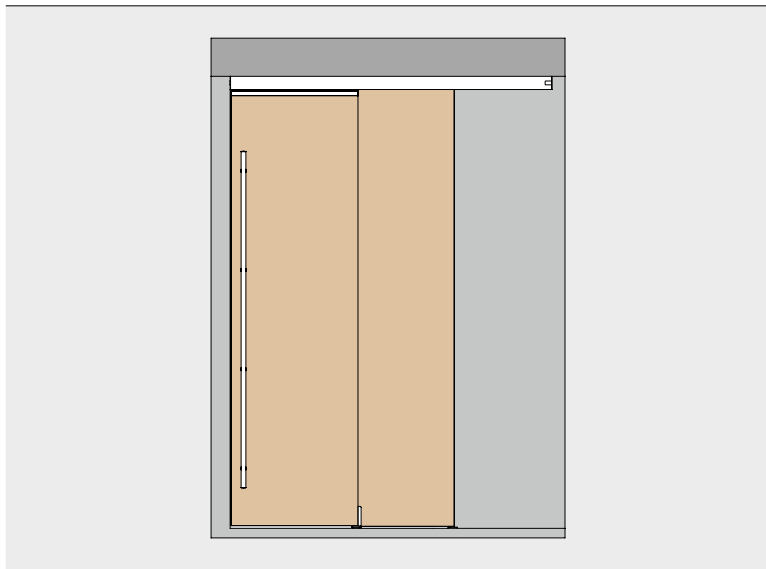
Fixed at ceiling	Product description	Art. No.
	<p><b>MUTO Premium Telescopic 80</b></p> <p><b>Set 28</b> for ceiling installation, with moving floor guide, 2 panels (left)</p> <p>Incl. track profile, cover profile and brushes</p> <p>For 28 – 50 mm timber elements, max. 80 kg</p> <p>Prepared for option DORMOTION</p>	<p><b>36.727</b></p>
	<p><b>MUTO Premium Telescopic 80</b></p> <p><b>Set 29</b> for ceiling installation, with moving floor guide, 2 panels (left) plus side panel (glass)</p> <p>Incl. track profile, cover profile, side panel profile and brushes</p> <p>For 28 – 50 mm timber elements, max. 80 kg</p> <p>Prepared for option DORMOTION</p>	<p><b>36.728</b></p>
	<p><b>MUTO Premium Telescopic 80</b></p> <p><b>Set 30</b> for ceiling installation, with moving floor guide, 4 panels (2 left / 2 right)</p> <p>Incl. track profile, cover profile, and brushes</p> <p>For 28 – 50 mm timber elements, max. 80 kg</p> <p>Prepared for option DORMOTION</p>	<p><b>36.734</b></p>

Please ensure that the order form is complete when submitting an order.

**Fixed at ceiling**

**Product description**

**Art. No.**



**MUTO Premium Telescopic 80**

**Set 31**

**36.729**

for ceiling installation, with moving floor guide, 2 panels (right) plus side panel

Incl. track profile, cover profile, side panel profile and brushes

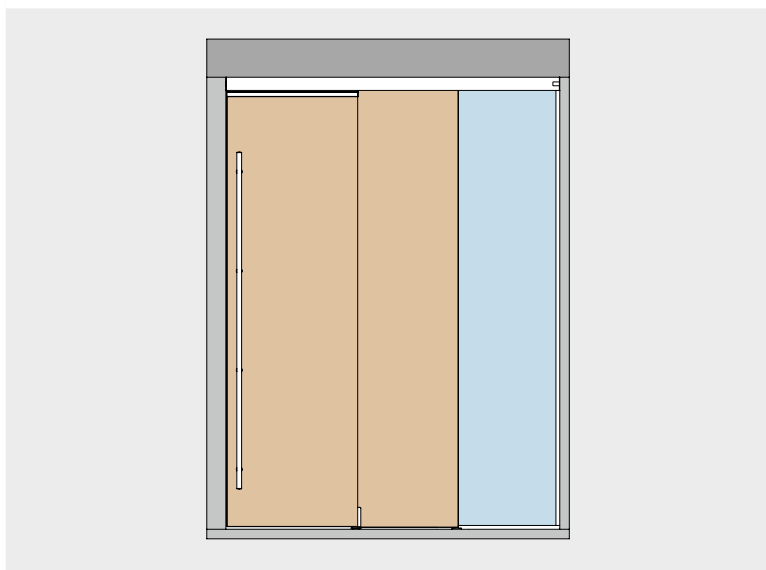
For 28 – 50 mm timber elements, max. 80 kg

Prepared for option DORMOTION

**Set 31.1**

**36.795**

also for lintel/90° stopped



**MUTO Premium Telescopic 80**

**Set 32**

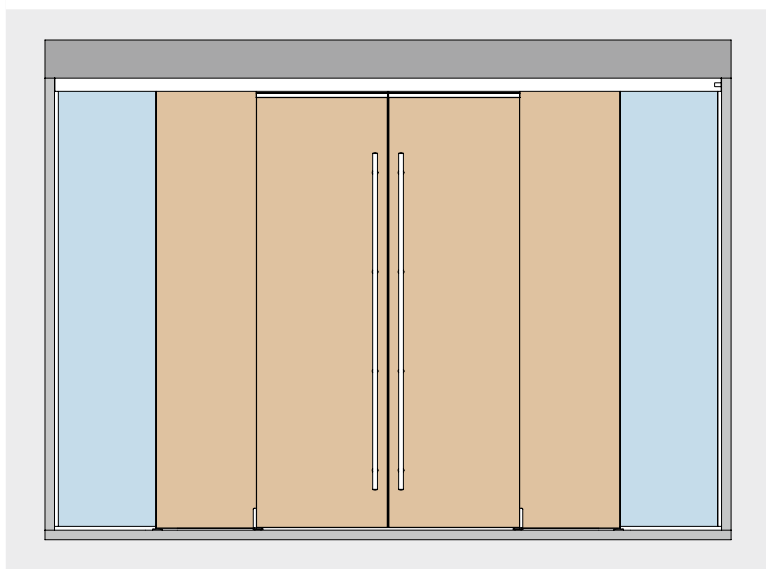
**36.730**

for ceiling installation, with moving floor guide, 2 panels (right) plus side panel (glass)

Incl. track profile, cover profile, side panel profile and brushes

For 28 – 50 mm timber elements, max. 80 kg

Prepared for option DORMOTION



**MUTO Premium Telescopic 80**

**Set 33**

**36.735**

for ceiling installation, with moving floor guide, 4 panels (2 left / 2 right) plus side panels

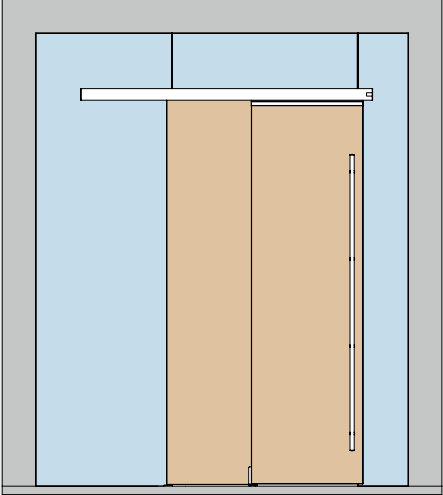
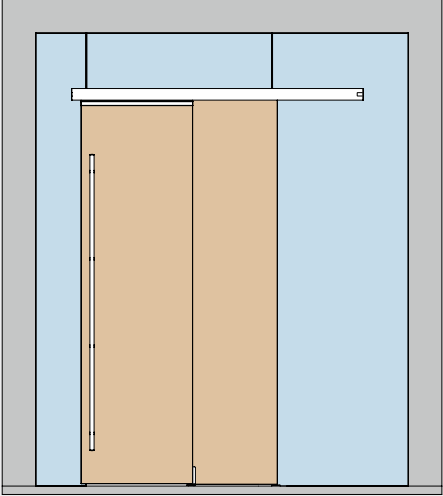
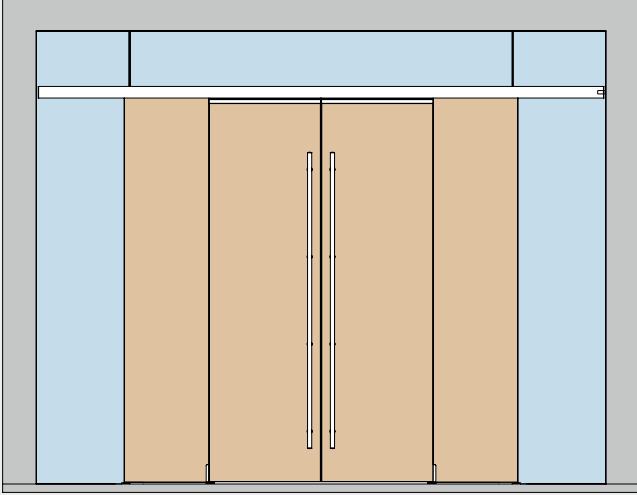
Incl. track profile, cover profile, side panel profiles and brushes

For 28 – 50 mm timber elements, max. 80 kg

Prepared for option DORMOTION

Please ensure that the order form is complete when submitting an order.

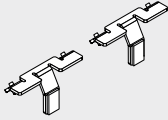
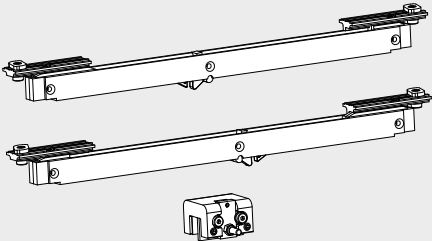
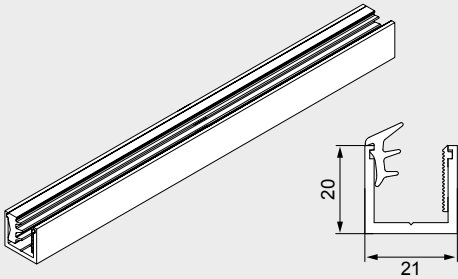
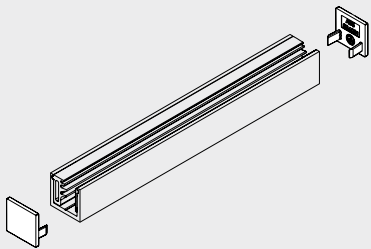
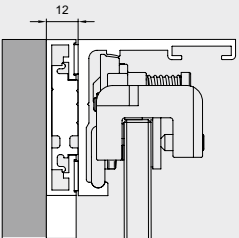
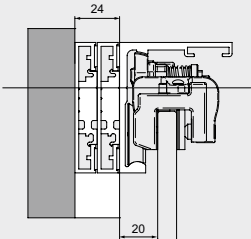


Fixed at glass	Product description	Art. No.
	<p><b>MUTO Premium Telescopic 80</b></p> <p><b>Set 34</b> for glass installation, with moving floor guide, 2 panels (left)</p> <p>Incl. track profile, cover-, counter profile and brushes</p> <p>For 28 – 50 mm timber elements, max. 80 kg</p> <p>Prepared for option DORMOTION</p>	<p><b>36.731</b></p>
	<p><b>MUTO Premium Telescopic 80</b></p> <p><b>Set 35</b> for glass installation, with moving floor guide, 2 panels (right)</p> <p>Incl. track profile, cover-, counter profile and brushes</p> <p>For 28 – 50 mm timber elements, max. 80 kg</p> <p>Prepared for option DORMOTION</p>	<p><b>36.732</b></p>
	<p><b>MUTO Premium Telescopic 80</b></p> <p><b>Set 36</b> for glass installation, with moving floor guide, 4 panels (2 left / 2 right)</p> <p>Incl. track profile, cover-, counter profile and brushes</p> <p>For 28 – 50 mm timber elements, max. 80 kg</p> <p>Prepared for option DORMOTION</p>	<p><b>36.736</b></p>

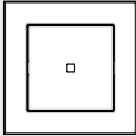
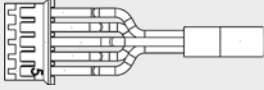
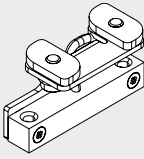
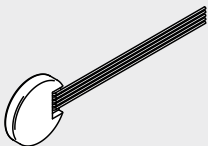
Please ensure that the order form is complete when submitting an order.

# Space for your notes

# Component parts

	Product description	Art. No.
	<b>MUTO spacer (2 pieces)</b> for the installation at ceiling between <b>two</b> walls	<b>36.890</b>
	<b>MUTO Premium Telescopic 80</b> DORMOTION unit incl. starter	<b>36.786</b>
	<b>MUTO Floor profile</b> Floor profile for side panel fixing, complete with all gaskets, Profile for 8 – 13.5 mm glass  stock length 6,000 mm  fixed length mm	<b>36.810</b>          <b>36.811</b>
	<b>MUTO End caps (2 pieces)</b> Set endcaps for floor profile - side panel fixing	<b>36.812</b>
	<b>MUTO Premium - balance profile set</b> 12 mm, for installation over an existing door frame; compensates for the frame thickness; fixed length	<b>36.870</b>
	<b>MUTO Premium - balance profile set</b> 24 mm, for installation over an existing door frame; compensates for the frame thickness; fixed length	<b>36.871</b>



	Product description	Art. No.
	<p><b>MUTO</b>  <b>Wall switch with radio remote control</b>  for Comfort L, Premium XL and Self-Closing,</p> <p>1 Wall switch  1 Battery</p>	<p><b>36.849</b></p>
	<p><b>MUTO</b>  <b>Accessory for locking unit</b>  for Comfort L, Premium XL and Self-Closing,  1 cable set for an optional use of the status indicator  integrated in the locking unit</p>	<p><b>36.855</b></p>
	<p><b>MUTO</b>  <b>Status indicator set</b>  for Comfort L and Premium XL  <b>Consisting of:</b>  1 Sensor  1 Adapter for track reception  1 Cable</p>	<p><b>36.840</b></p>
	<p><b>Concealed transmitter BRC-T</b>  DORMA-GLAS bi-directional flush-mounted  radio transmitter BRC-T, battery-operated,  for installation in a switch with a deep  flush-mounting box for the use of an on-site  pushbutton.</p>	<p><b>29301003</b></p>

# Space for your notes

# Content

## RS 120/RS 120 Synchro

136	<b>General information</b>
137	<b>Type illustrations</b>
140	<b>Component parts</b>
141/176	<b>Accessories</b>
190	<b>Safety-related information</b>



**RS 120 /  
RS 120 Synchro**



## General information



### Rugged track

The hollow profiled aluminum track is light yet rugged and resistant to twisting. It can be fixed directly under the ceiling or onto a wall and simply cut to the required size.

### Clip-on covers

The covers are made of aluminum, and are easily clipped onto the track. If the track is top fixed, onto the ceiling, the covers are used on both sides; if the track is side fixed, the cover is used on the exposed side only. The covers also can easily be cut to size.

### Sidelight profile

A special profile to be hung and screwed into the track is available for the use with fixed sidelights. It ensures that the sidelight glass is mounted with the correct distance to the track.

As a matter of course the sidelight profile can be provided with clip-on covers. Furthermore the free sidelight profile in the passage area can be covered from below by a bottom view protection profile.

### Gentle, easy action

The carriers run on large nylon wheels, with needle bearings, giving a quiet and very low friction ride. They are made from high grade, glass fibre reinforced nylon, which is corrosion-resistant and extremely strong.

### End stop and holder

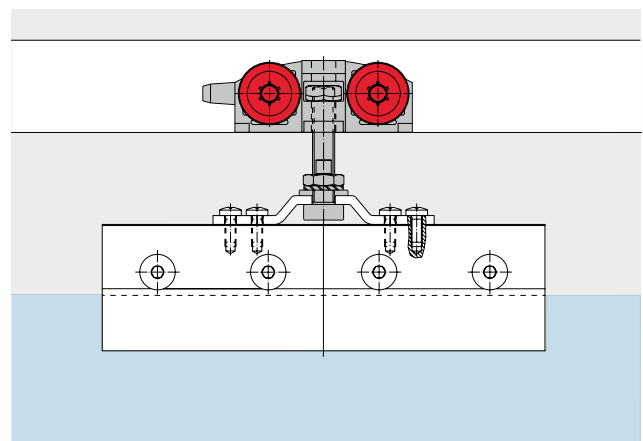
There is a clever device in the track which operates as a cushioned end stop, retaining the door securely in the end positions.

### Synchro version

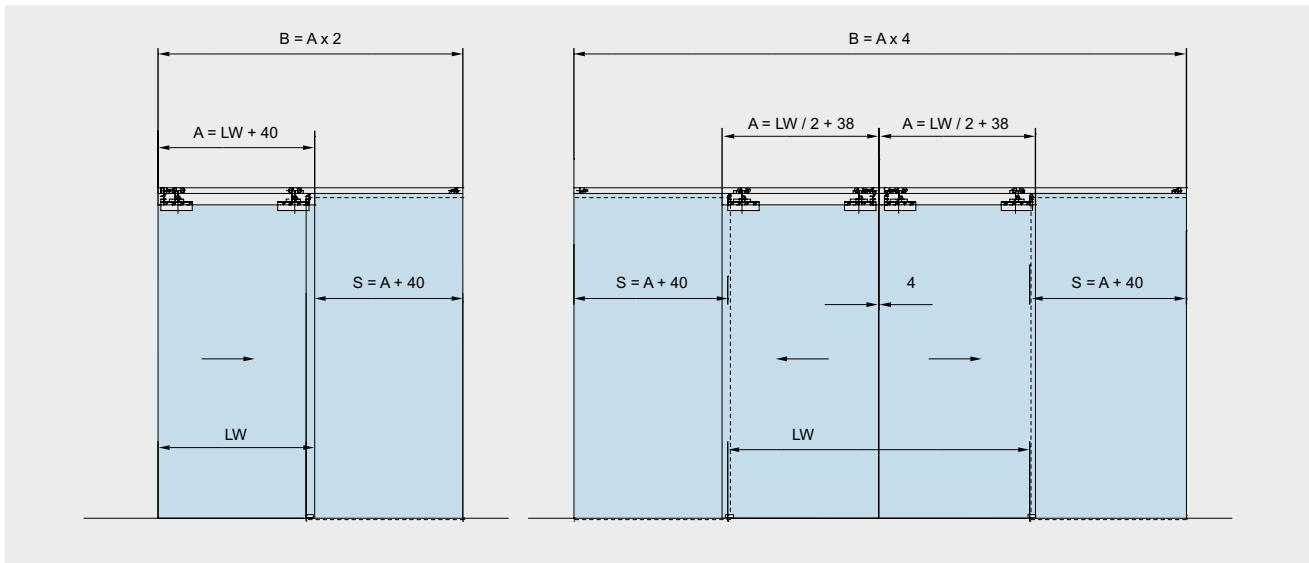
By a special cable and deflection device a synchronously opening system for a two-panel assembly can be realised. As only one of the panels has to be moved, the greatest possible operating convenience for maximum passage width is guaranteed.

### No glass preparation

DORMA-GLAS has a wide experience in working with toughened glass, and this has led to the development of a clamping system which is all that is required for securing the glass blades in the RS sliding door gear. This has the additional benefit of allowing some door height adjustment, after the door is hung, without dismantling the already fixed glass.

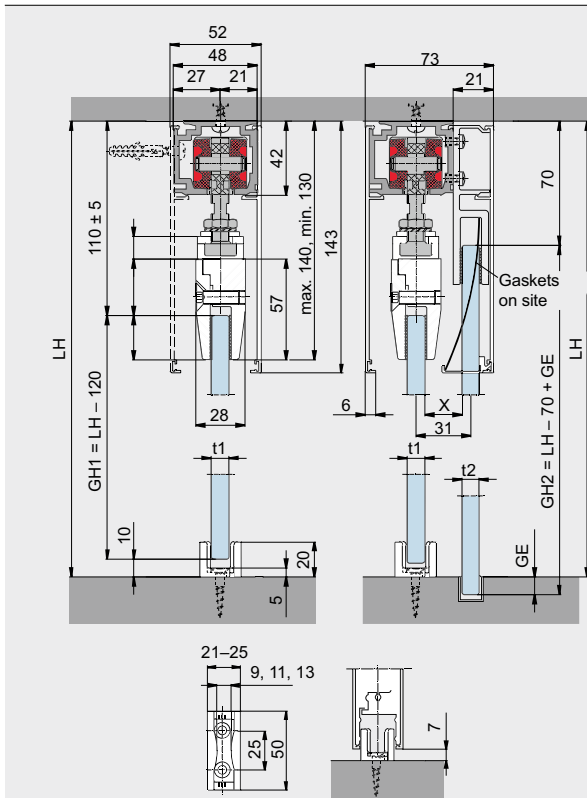


# Type illustrations



## Fixed at ceiling

## Product description



### Adjustable floor guide

t1	x
6 mm	23 mm
10 mm	21 mm
12 mm	19 mm

### RS 120

For one or more door panels, with or without sidelights;  
8, 10 and 12 mm glass thickness.

### Maximum weight of door panels

No. of carriers	max weight (kg) per door leaf
2	120
3	150

### Torque for screws in the clamping patches

20 Nm

### Calculation of glass height

Height of sliding door leaf:

$$GH1 = LH - 120$$

(see drawing left hand)

Height of sidelight:

$$GH2 = LH - 70 \text{ mm} + GE$$

### Calculation of glass width

Width of sliding door leaf:

$$A = LW + 40 \text{ (min. 500)}$$

Width of sidelight:

$$S = A + 40$$

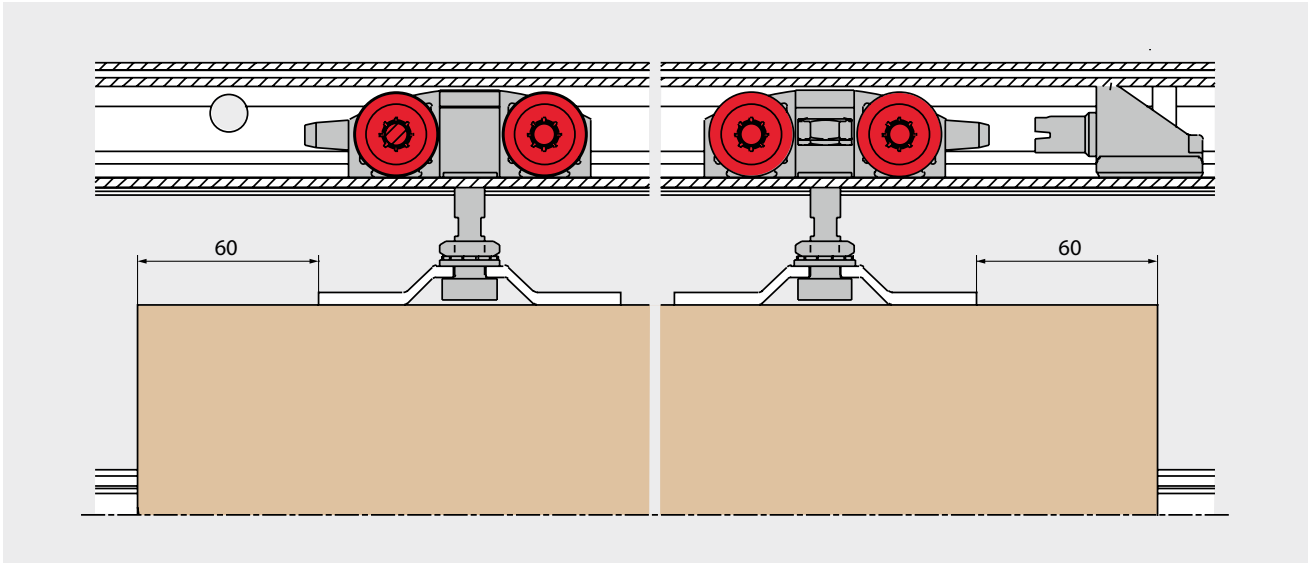
### Note:

In order to maximise the protection afforded to the glass, we recommend that spacer 29.420 be fitted to sliding doors that move in opposite directions (see page 141).

A = Width of door leaf  
B = Length of track  
GH1 = Glass height of sliding door leaf  
GH2 = Glass height of sidelight  
GE = Glass rebate depth

LH = Clear opening height  
LW = Clear opening width  
S = Width of sidelight  
t1 = Glass thickness sliding panel  
t2 = Glass thickness side panel

# Sliding door system for timber doors



**Sliding door system for timber doors**

**Product description**

**No. of carriers**

**max weight (kg) per door leaf**

**RS 120**

For one or more door panels.

2

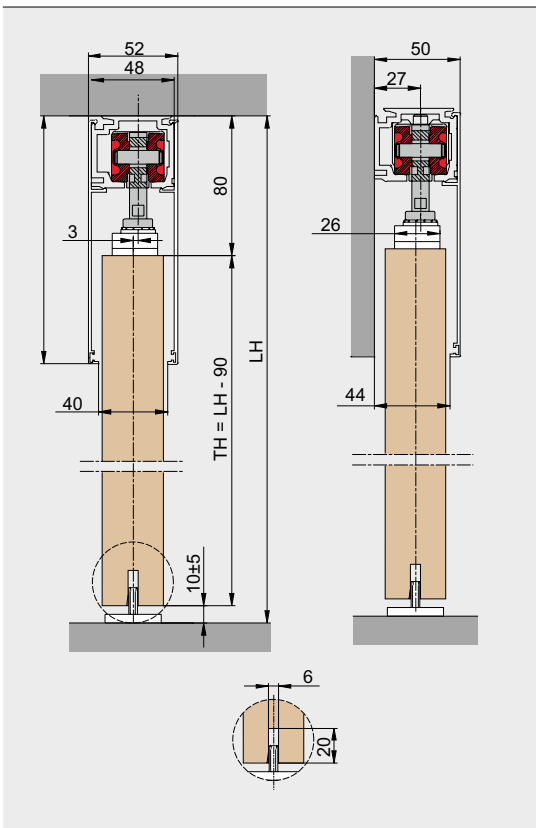
120

**Calculation of door panel height**

Height of sliding door leaf:

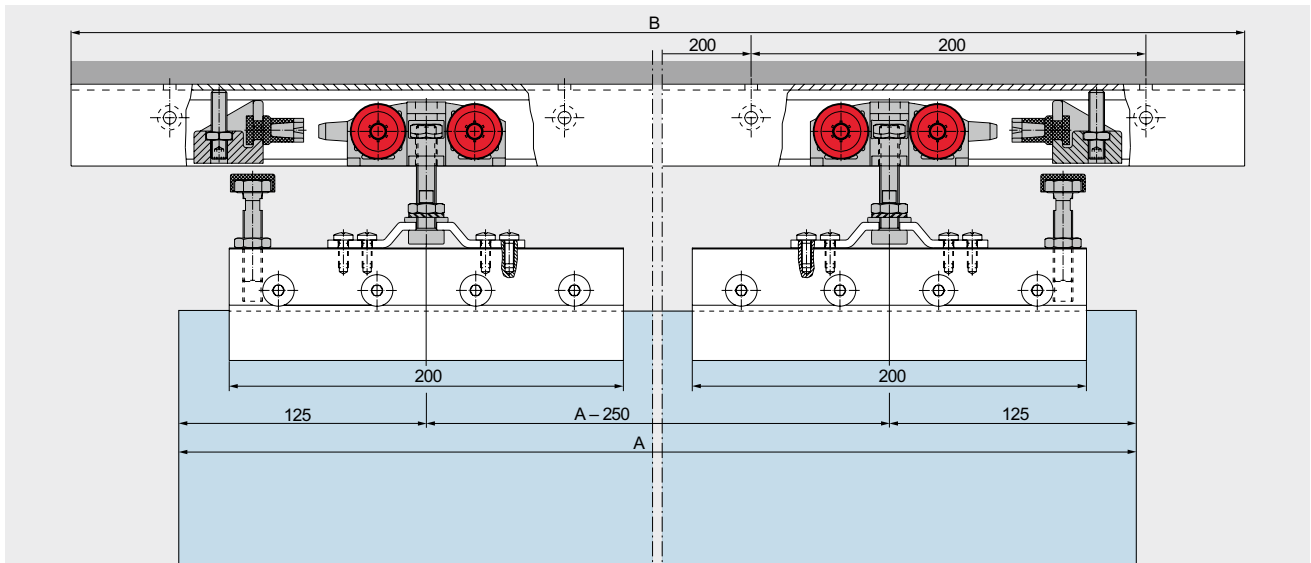
$$TH = LH - 90$$

(see drawing left hand)

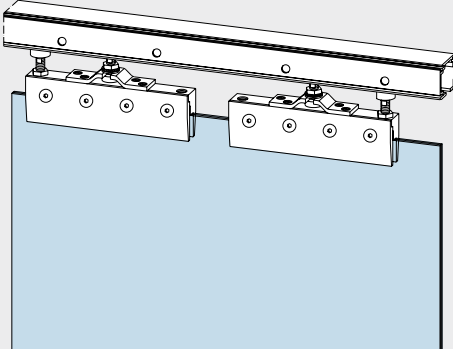
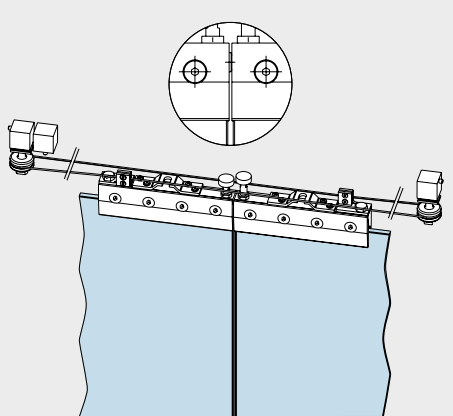


TH = door height  
LH = clear opening height

# Type illustrations ceiling installation

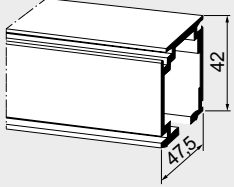
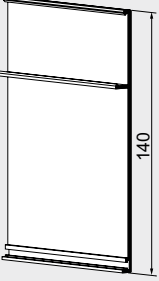
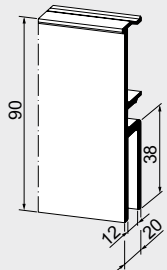
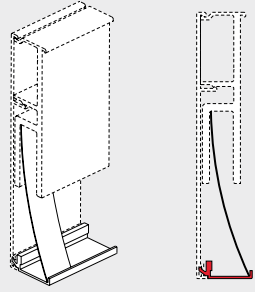


Opening to right side, Closing to left side (DIN Left)

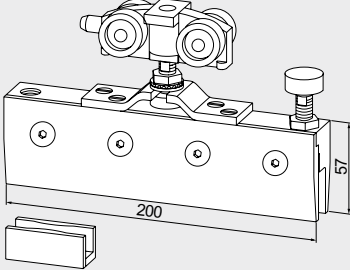
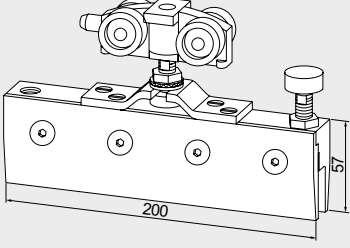
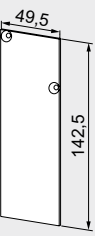
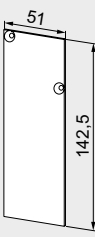
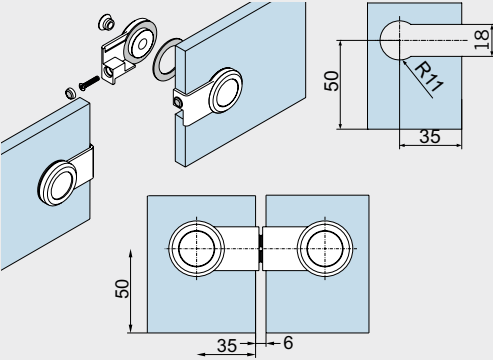
Fixed at ceiling	Product description	Track length B in mm	Weight in kg	Art. No.
	<b>Sliding door gear RS 120 complete, consisting of:</b> 1 track, 2 carriers with clamping patches and support screw for 8 and 10 mm glass thicknesses, 2 end stops and 1 floor guide.	1,900	4.503	<b>07.101</b>
		2,900	5.858	<b>07.102</b>
	<b>Sliding door gear RS 120 Synchro For 2-panel synchronously opening system,</b> max. panel width = 2 x 1,000 mm, max. panel weight = 80 kg per panel, consisting of: 2 x accessory set 07.125 1 x deflection device incl. cable, adjustable			<b>07.150</b>

Track, if necessary sidelight profile, cover profile  
 + view protection profile have to be ordered separately (see page 140).

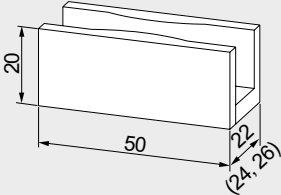
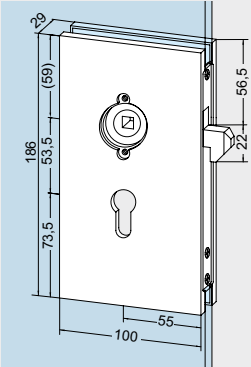
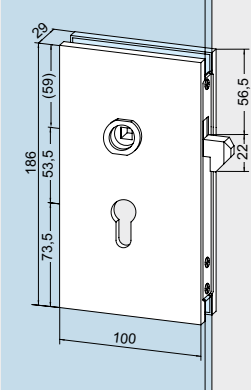
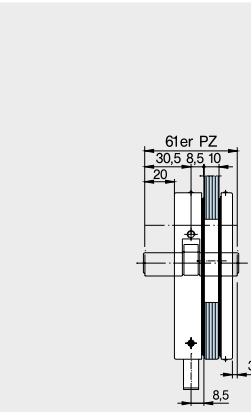
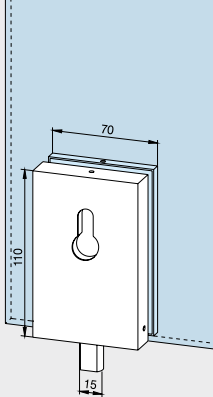
# Component parts RS 120/RS 120 Syncro

	Product description	Weight in kg/m	Art. No.
	<b>Track profile</b> prepared for top or side fixing  fixed length stock length 6,000 mm	1.355	<b>07.131</b> <b>07.121</b>
	<b>Cover profile</b> for clip attachment with connecting web for view protection profile 07.137/138  fixed length stock length 6,000 mm	0.826	<b>07.141</b> <b>07.140</b>
	<b>Sidelight profile</b> non prepared  fixed length stock length 6,000 mm	1.680	<b>07.132</b> <b>07.122</b>
	<b>Bottom view protection profile</b> (only in combination with sidelight profile 07.132/122 and cover profile 07.141/140)  fixed length stock length 6,000 mm	0.164	<b>07.137</b> <b>07.138</b>

# Accessories RS 120/RS 120 Synchro

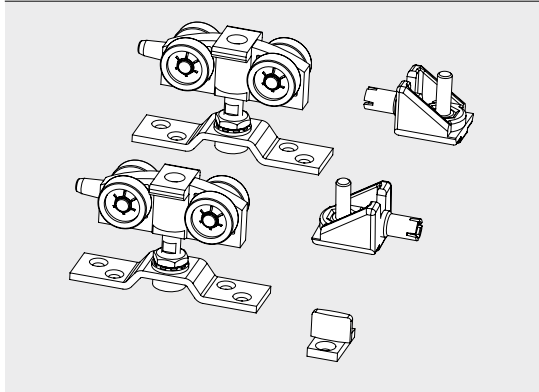
	Product description	Weight in kg/m	Art. No.
	<p><b>Set of accessories consisting of:</b> 2 carriers with clamping patches (8 and 10 mm glass thicknesses) and support screw, 2 end stops with safety catch, 1 floor guide</p>		<b>07.125</b>
	<p><b>Additional carrier with clamping patches</b> (8 and 10 mm glass thicknesses) for max. panel weight 150 kg</p> <p><b>Pair of intermediate aluminum plates for 12 mm glass thickness</b> (for 2 clamping parts) (not illustrated)</p>		<b>07.123</b>  <b>07.118</b>
	<p><b>End cap</b> track connected to wall left/right hand, incl. screws</p>	0.037	<b>07.127</b>
	<p><b>End cap</b> track connected to ceiling left/right hand, incl. screws</p>	0.037	<b>07.129</b>
	<p><b>Spacer</b> for sliding doors that move in opposite directions</p> <p>Please order our detail sheet 29-044-B for details of glass preparations.</p>		<b>29.420</b>

# Accessories RS 120/RS 120 Syncro

	Product description	Weight in kg/m	Art. No.
	<p><b>Floor guide,</b> adjustable</p>	0.024	<b>07.126</b>
	<p><b>Hook lock</b> for sliding doors, nightlatch function, suitable for <b>aluminum lever handles with round roses</b> (10.307), prepared for Europrofile cylinder, left hand and right hand, with lock keeper plate</p>	1.325	<b>05.200</b>
	<p><b>Suitable for lever handles with follower</b></p>	1.325	<b>05.202</b>
	<p><b>Strike box</b> to suit hook lock, (05.200, 05.202), non-handed</p>	0.890	<b>05.201</b>
	<p><b>Corner lock,</b> for vertical or horizontal fixing, double throw, bolt projection 20 mm, hardened oval bolt, prepared for Europrofile cylinder</p>	0.849 1.033	<b>05.100</b>
	<p>Aluminum Brass</p>		<b>05.105</b> not illustr.
	<p>prepared for KABA</p>	0.842 1.020	
	<p>Aluminum Brass</p>		<b>05.116</b> not illustr.
	<p>Prepared for one-sided Europrofile cylinder, lockable from inside</p>	0.858 1.038	
	<p>Aluminum Brass</p>		

# Component parts for RS 120 for timber applications

---

**Product description****Art. No.**

**RS 120 accessories**  
for timber applications  
**consisting of:**  
2 carriers,  
2 end stops with safety catch,  
1 floor guide

**07.135**



# Content

## MANET Sliding Door Sets

146	<b>General information</b>
148	<b>Set type 4.1/4.2</b>
150	<b>Set type 5.1/5.2</b>
152	<b>Set type 6.1/6.2</b>
176	<b>Accessories</b>
190	<b>Safety-related information</b>

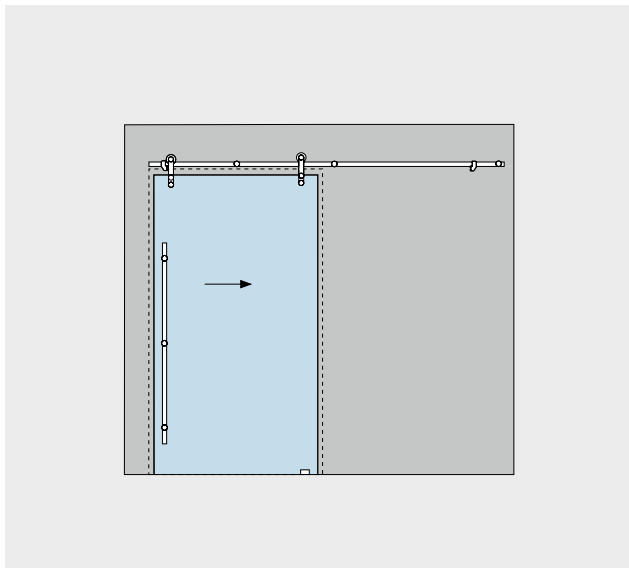
All elements -including the pull handles- are available in an elegant stainless steel finish. All the components are manufactured from the steel grade 1.4305 (approx. AISI 303) for normal interior applications.

**Note:** The products detailed in this brochure are exclusively intended for glass assemblies that do not require separate building regulations approval.



# MANET Sliding Door Sets

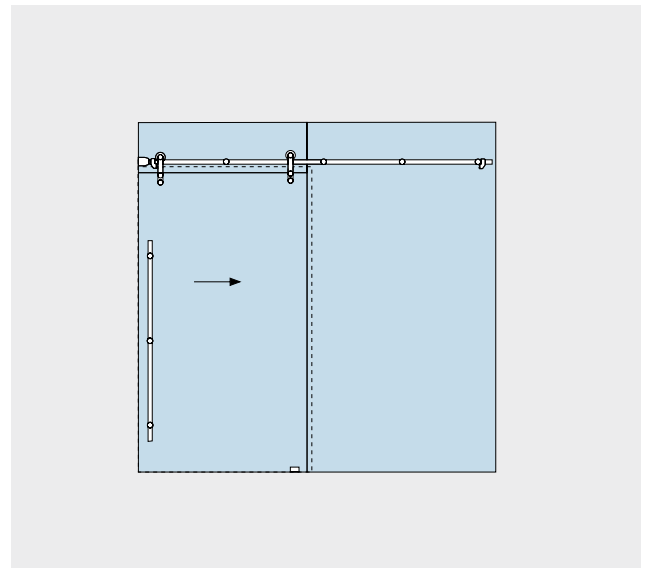
# MANET Sliding Door Sets



**Set 4.1/4.2**

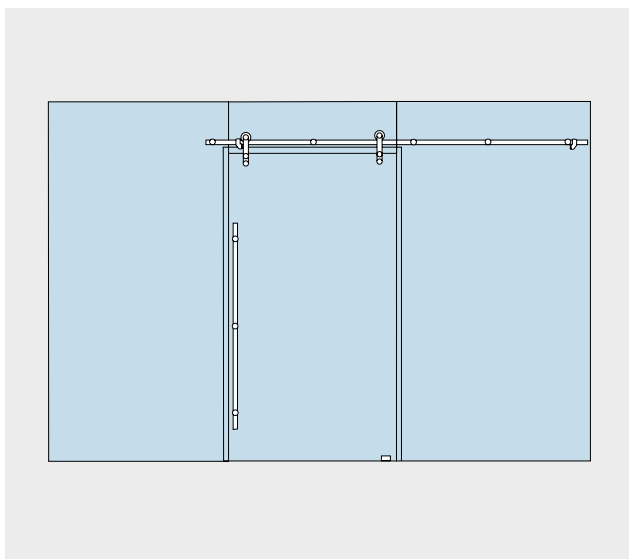
The aesthetic elegance of the MANET Sliding Door concept is also available in the form of standardized sets for simple, fast planning of the more popular system types.

Optional accessories enable the individual sets to be semi-customized.

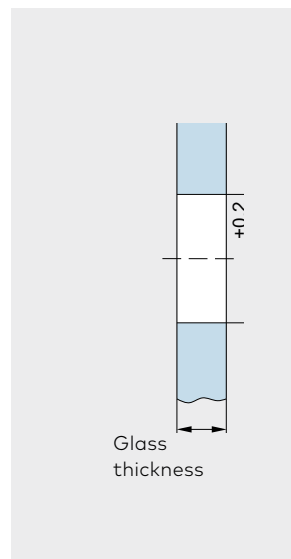


**Set 5.1/5.2**

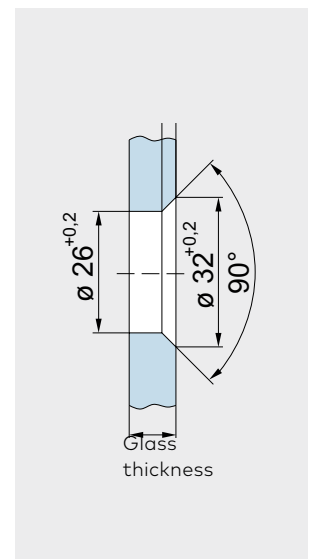
The system components offer numerous adjustment possibilities in order to ensure problem-free installation of whichever door type – sliding or swing, single action or double action – is required. Wall abutment profiles may need to be provided (by others) for fixing over-panels and sidelights. see DORMA-GLAS technical brochure Fittings for Toughened Glass Assemblies)



**Set 6.1/6.2**



**Cylindrical bore for clamping disc single-point fixings**

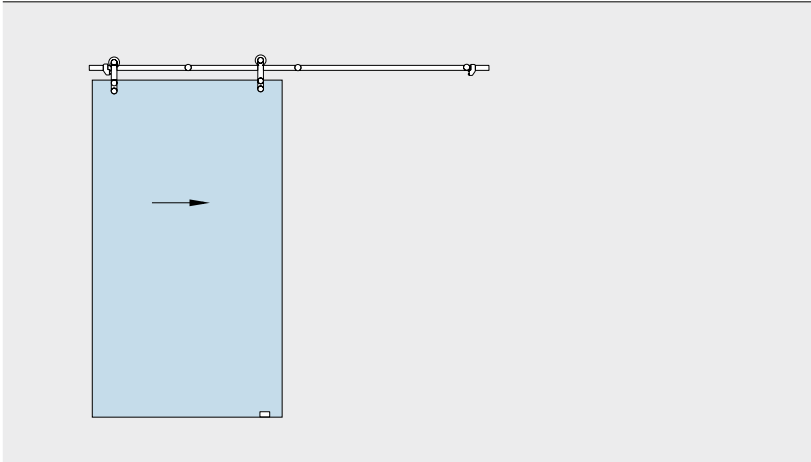


**Countersunk bore for countersunk disc single-point fixings**



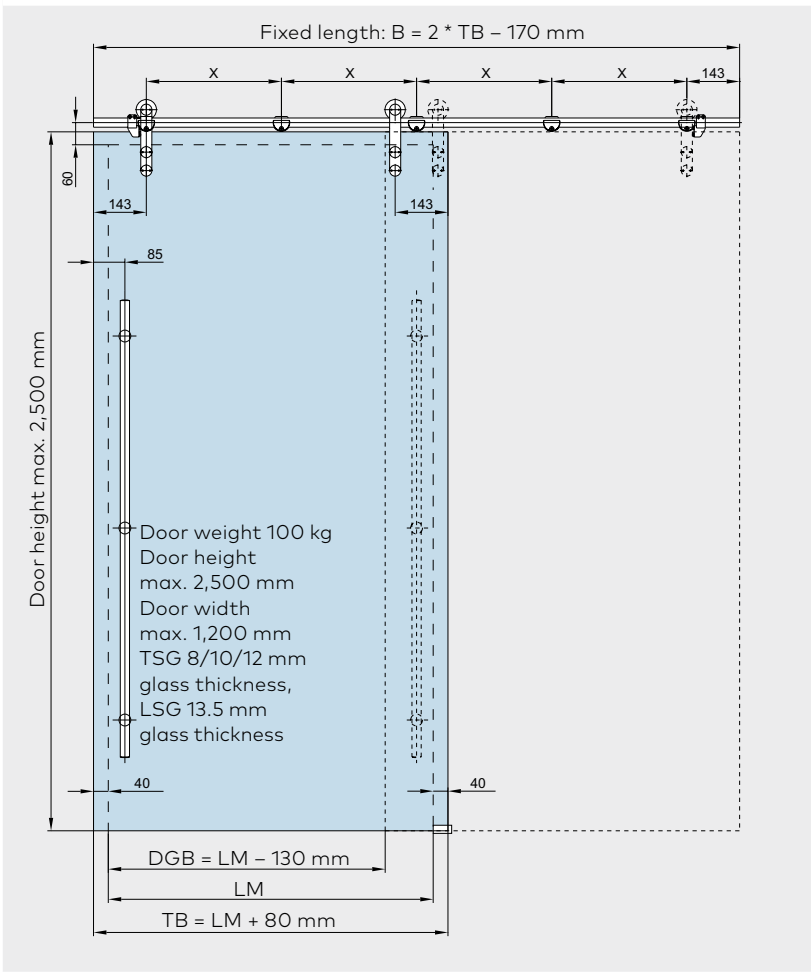
# Set 4.1/4.2

## Sliding door MANET for installation at wall, for 8 – 13.5 mm glass



**Set 4.1**  
with single-point fixings countersunk

**Set 4.2**  
with clamping disc single-point fixings



LM = Daylight opening  
TB = Door width  
DGB = Entry width

B = Tubular track length  
X = Distance of single-point fixings  $(LL - 286) / 4$

---

**Sliding door MANET for installation at wall, for 8 – 13.5 mm glass**


---

<b>Set 4.1/Set 4.2</b>	<b>Set 4.1 with single-point fixings countersunk Art. No.</b>	<b>Set 4.2 with clamping disc single-point fixings Art. No.</b>
consisting of: 5 Clamp fixings for track / wall 2 Roller carriers CLASSIC incl. single-point fixings for 8 – 13.5 mm glass 1 Door stop left hand 1 Door stop right hand 1 Floor guide AGILE Installation tools	<b>29.916</b>	<b>29.917</b>
<b>Set as above,</b> but with 16 mm extended clamp fixing	<b>29.925</b>	<b>29.926</b>
<b>Not covered by the set:</b> Tubular track incl. end cups in fixed length*	<b>21.436</b>	<b>21.436</b>
Tubular track, incl. end cups, stock length 3,000 mm	<b>21.527</b>	<b>21.527</b>

---

**Accessory options for Set 4.1/Set 4.2**


---

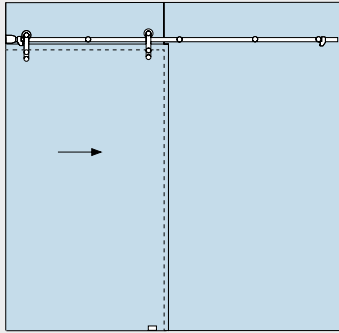
<b>Pull handles / Recessed pull grip</b>			
Pull handles	Length 350 mm	<b>29.268</b>	<b>21.240</b>
	Length 720 mm	<b>29.271</b>	<b>21.241</b>
	Length 1,240 mm	<b>29.274</b>	<b>21.242</b>
	Length 1,760 mm	<b>29.277</b>	<b>21.243</b>
Pair of pull handles	Length 350 mm		<b>21.267</b>
	Length 720 mm		<b>21.270</b>
	Length 1,240 mm		<b>21.273</b>
	Length 1,760 mm		<b>21.276</b>
Recessed pull grip Ø 60 mm	for 8/10/12 mm glass		<b>21.291</b>
Recessed pull grip with grip hole Ø 60 mm	for 8 mm glass		<b>21.292</b>
	for 10 mm glass		<b>21.293</b>
	for 12 mm glass		<b>21.294</b>
<b>Corner lock</b>			
Corner lock			<b>21.448</b>
Corner lock with rose on one lock side			<b>21.449</b>
Profile cylinder for corner lock 21.448/449			<b>14.206</b>
Eccentric bushing for corner lock 21.448/449			<b>05.194</b>
<b>Further accessories</b>			
Aluminum guide rail with brush seals	stock length 3,000 mm		<b>21.432</b>
	stock length 6,000 mm		<b>21.430</b>
Assembling tool for MANET single-point fixing			<b>21.134</b>

\*When ordering please indicate the necessary length. For calculation please see adjoining page.



# Set 5.1/5.2

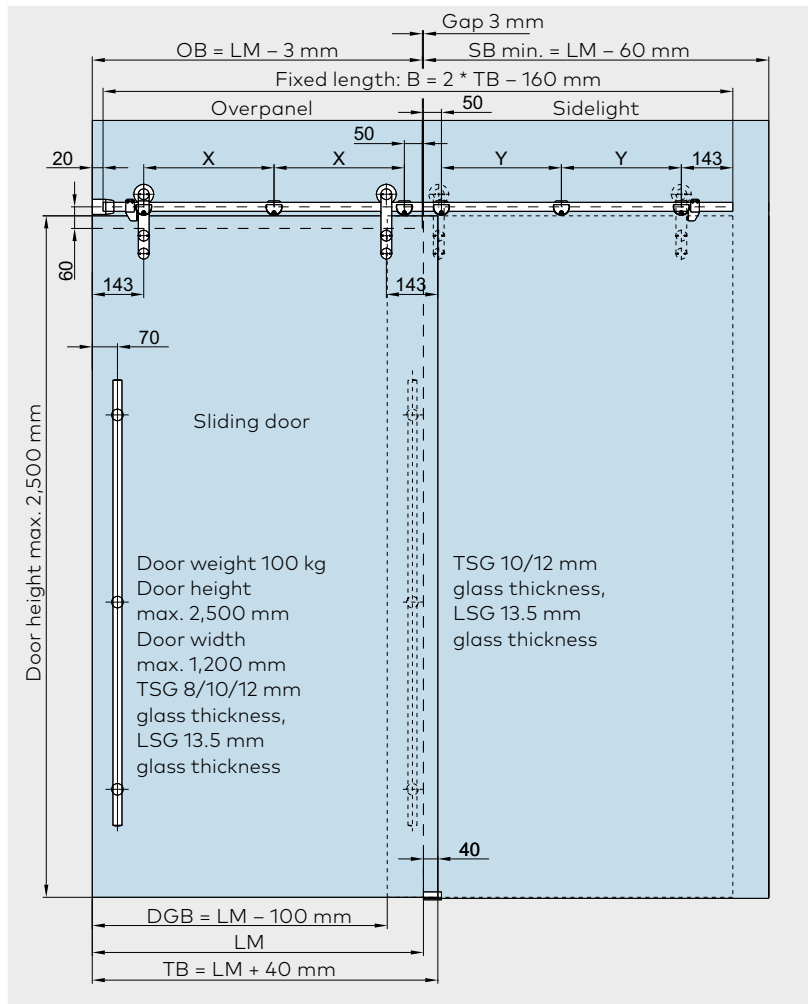
## Sliding door MANET for installation at glass, one side attached to masonry



for sliding door 8 – 13.5 mm glass,  
fixed element 10 – 13.5 mm glass

**Set 5.1**  
with countersunk single-point fixings

**Set 5.2**  
with clamping disc single-point fixings



- LM = Daylight opening
- TB = Door width
- DGB = Entry width
- SBmin. = Min. sidelight width
- B = Tubular track length

- X = Center distance between single-point fixings overpanel  
 $(OB - 193) * 1/2$
- Y = Center distance between single-point fixings sidelight  
 $Y = X - 29$
- OB = Overpanel width

---

**Sliding door MANET for installation at glass, one side attached to masonry**


---

**for sliding door 8 – 13.5 mm glass,  
fixed element 10 – 13.5 mm glass**
**Set 5.1/Set 5.2**
**Set 5.1 with  
single-point  
fixings  
countersunk  
Art. No.**
**Set 5.2 with  
clamping disc  
single-point  
fixings  
Art. No.**

consisting of:  
6 Clamp fixings  
fixing at glass  
2 Roller carriers CLASSIC  
incl. single-point fixings for 8 – 12 mm glass  
1 Wall fixing  
1 Door stop left hand  
1 Door stop right hand  
1 Floor guide AGILE  
Installation tools

**29.918**
**29.919**
**Not covered by the set:**

Tubular track incl. end cups fixed length\*

**21.436**

Tubular track incl. end cups,  
stock length 3,000 mm

**21.527**
**Accessory options for Set 5.1/Set 5.2**


---

**Pull handles / Recessed pull grip**

Pull handles	Length 350 mm	<b>29.268</b>	<b>21.240</b>
	Length 720 mm	<b>29.271</b>	<b>21.241</b>
	Length 1,240 mm	<b>29.274</b>	<b>21.242</b>
	Length 1,760 mm	<b>29.277</b>	<b>21.243</b>

Pair of pull handles	Length 350 mm	<b>21.267</b>
	Length 720 mm	<b>21.270</b>
	Length 1,240 mm	<b>21.273</b>
	Length 1,760 mm	<b>21.276</b>

Recessed pull grip Ø 60 mm	for 8/10/12 mm glass	<b>21.291</b>
----------------------------	----------------------	---------------

Recessed pull grip with grip hole Ø 60 mm	for 8 mm glass	<b>21.292</b>
	for 10 mm glass	<b>21.293</b>
	for 12 mm glass	<b>21.294</b>

**Corner lock**

Corner lock	<b>21.448</b>
-------------	---------------

Corner lock with rose on one lock side	<b>21.449</b>
--	---------------

Profile cylinder for corner lock 21.448/449	<b>14.206</b>
---	---------------

Eccentric bushing for corner lock 21.448/449	<b>05.194</b>
--	---------------

**Further accessories**

Aluminum guide rail with brush seals	stock length 3,000 mm	<b>21.432</b>
	stock length 6,000 mm	<b>21.430</b>

Ceiling connector (bearing function)	<b>29.337</b>	<b>29.338</b>
--------------------------------------	---------------	---------------

Assembling tool for MANET single-point fixing	<b>21.134</b>
--	---------------

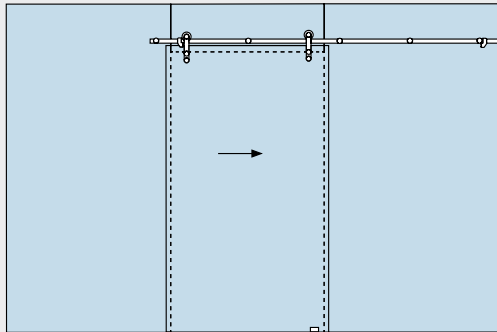
---

\* When ordering please indicate the necessary length! For calculation please see adjoining page.



# Set 6.1/6.2

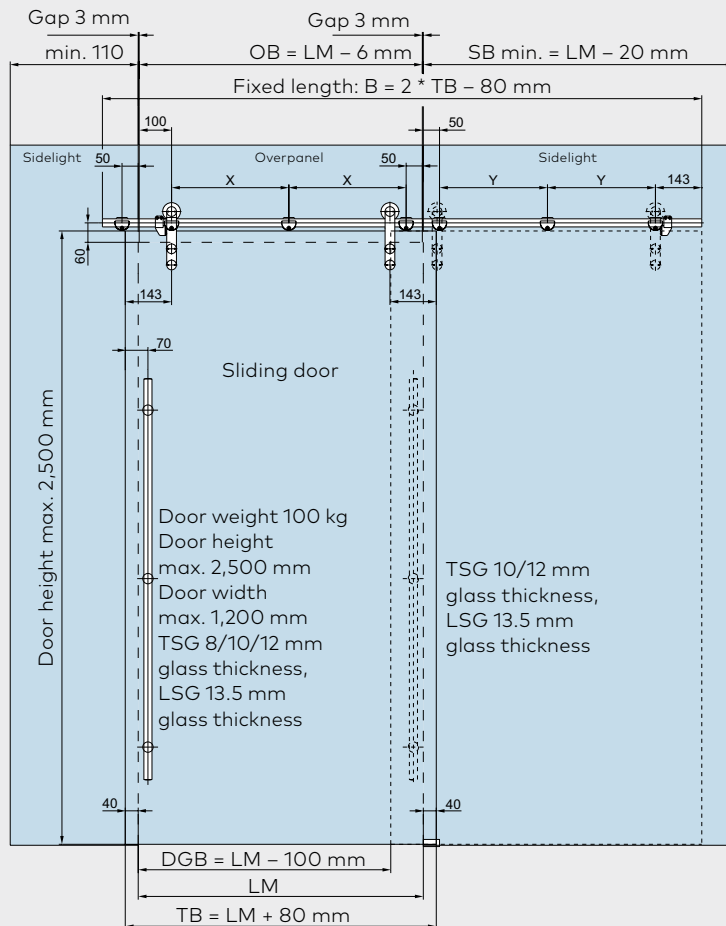
## Sliding door MANET for installation at glass, sidelights on both sides



for sliding door 8 – 13.5 mm glass,  
fixed element 10 – 13.5 mm glass

**Set 6.1**  
with countersunk single-point fixings

**Set 6.2**  
with clamping disc single-point fixings



An appropriately dimensioned and torsionally stiff substructure will need to be provided for installation.

- LM = Daylight opening
- TB = Door width
- DGB = Entry width
- OB = Overpanel width
- SBmin. = min. sidelight width

- B = Tubular track length
- X = Center distance between single-point fixings overpanel  
(OB - 150) \* 1/2
- Y = Center distance between single-point fixings sidelight  
Y = X - 29

---

**Sliding door MANET for installation at glass, sidelight on both sides**


---

**for sliding door 8 – 13.5 mm glass,  
fixed elements 10 – 13.5 mm glass**
**Set 6.1/Set 6.2**
**Set 6.1 with  
single-point  
fixings  
countersunk  
Art. No.**
**Set 6.2 with  
clamping disc  
single-point  
fixings  
Art. No.**

consisting of:	<b>29.920</b>	<b>29.921</b>
7 Clamp fixings fixing at glass		
2 Roller carriers CLASSIC incl. single-point fixings for 8 – 13.5 mm glass		
1 Door stop left hand		
1 Door stop right hand		
1 Floor guide AGILE		
Installation tools		
<b>Not covered by the set:</b>		
Tubular track incl. end cups fixed length*		<b>21.436</b>
Tubular track incl. end cups, stock length 3,000 mm		<b>21.527</b>

**Accessory options for Set 6.1/Set 6.2**


---

**Pull handles / Recessed pull grip**

Pull handles	Length 350 mm	<b>29.268</b>	<b>21.240</b>
	Length 720 mm	<b>29.271</b>	<b>21.241</b>
	Length 1,240 mm	<b>29.274</b>	<b>21.242</b>
	Length 1,760 mm	<b>29.277</b>	<b>21.243</b>
Pair of pull handles	Length 350 mm		<b>21.267</b>
	Length 720 mm		<b>21.270</b>
	Length 1,240 mm		<b>21.273</b>
	Length 1,760 mm		<b>21.276</b>
Recessed pull grip Ø 60 mm	for 8/10/12 mm glass		<b>21.291</b>
Recessed pull grip with grip hole Ø 60 mm	for 8 mm glass	<b>21.292</b>	
	for 10 mm glass	<b>21.293</b>	
	for 12 mm glass	<b>21.294</b>	

**Corner lock**

Corner lock		<b>21.448</b>
Corner lock with rose on one lock side		<b>21.449</b>
Profile cylinder for corner lock 21.448/449		<b>14.206</b>
Eccentric bushing for corner lock 21.448/449		<b>05.194</b>

**Further accessories**

Aluminum guide rail with brush seals	stock length 3,000 mm	<b>21.432</b>	
	stock length 6,000 mm	<b>21.430</b>	
Ceiling connector (bearing function)		<b>29.337</b>	<b>29.338</b>
Assembling tool for MANET single-point fixing		<b>21.134</b>	

---

\* When ordering please indicate the necessary length! For calculation please see adjoining page.

# Content

## MANET Sliding Door Systems

### Accessories and connection systems

156	<b>Tubular track</b>
158	<b>Solid track</b>
160	<b>Roller carrier</b>
162/176	<b>Accessories sliding door system</b>
163	<b>Connection elements</b>
164	<b>Accessories connection system</b>
166	<b>Glass preparation sliding door system</b>
168	<b>Glass preparation connection system</b>
190	<b>Safety-related information</b>

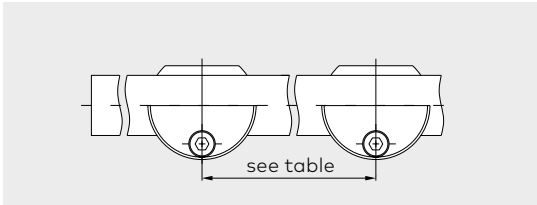
All elements -including the pull handles- are available in an elegant stainless steel finish. All the components are manufactured from the steel grade 1.4305 (approx. AISI 303) for normal interior applications.

**Note:** The products detailed in this brochure are exclusively intended for glass assemblies that do not require separate building regulations approval.



# MANET Sliding Door Systems

# Tubular track and accessories

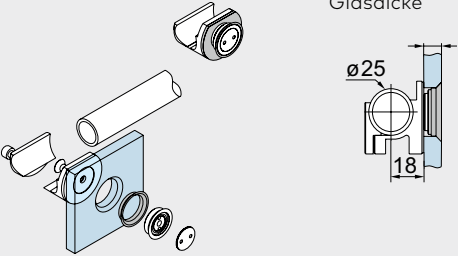
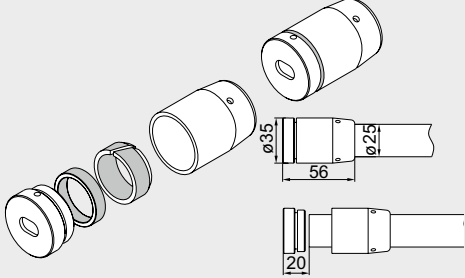


### Recommended distance of the track fixing points

Door height in mm	Door width in mm																										
	700			800			900			1,000			1,100			1,200			1,300			1,400					
	Glass thickness mm			Glass thickness mm			Glass thickness mm			Glass thickness mm			Glass thickness mm			Glass thickness mm			Glass thickness mm			Glass thickness mm					
	8	10	12	8	10	12	8	10	12	8	10	12	8	10	12	8	10	12	8	10	12	8	10	12	8	10	12
<b>1,900</b>	350	350	350	400	400	400	450	450	450	500	500	500	550	550	530	600	550	520	590	550	510	580	540	510			
<b>2,000</b>	350	350	350	400	400	400	450	450	450	500	500	500	550	540	510	580	540	510	570	530	500	570	530	500			
<b>2,100</b>	350	350	350	400	400	400	450	450	450	500	500	500	550	530	500	570	530	500	560	520	490	560	520	490			
<b>2,200</b>	350	350	350	400	400	400	450	450	450	500	500	500	550	520	490	550	510	480	550	510	480	540	500	470			
<b>2,300</b>	350	350	350	400	400	400	450	450	450	500	500	500	550	510	480	540	500	470	540	500	470	530	490	460			
<b>2,400</b>	350	350	350	400	400	400	450	450	450	500	500	500	530	500	470	530	490	460	530	490	460	520	480	-			
<b>2,500</b>	350	350	350	400	400	400	450	450	450	500	500	500	520	490	460	520	480	450	520	480	450	510	470	-			

	Product description	Art. No.
	<b>Tubular track</b> incl. end plugs  stock length 3,000 mm AISI 316L Fixed length up to 6,000 mm AISI 316L	<b>21.527</b>     <b>21.436</b>
	<b>Tubular track</b> bent, incl. end plugs  max. curve length 2,600 mm max. curve length 5,600 mm	<b>21.409</b>  <b>21.413</b>

Tubular track fixing at wall	Product description	Art. No.
	<b>Clamp fixing</b> for tubular track at wall AISI 316L	<b>29.175</b>  <b>29.184</b>

Tubular track fixing at glass	Product description	Art. No.
 <p>Glasdicke</p> <p>Ø25</p> <p>18</p>	<p><b>Clamp fixing</b> for tubular track at glass</p> <p>single-point fixing countersunk*</p> <p>single-point fixing, clamping disc*</p> <p>16 mm extended single-point fixing countersunk*</p> <p>single-point fixing, clamping disc*</p> <p>* for 10, 12 and 13.5 mm glass</p>	<p><b>29.176</b></p> <p><b>29.177</b></p> <p><b>29.178</b></p>
 <p>2-dimensional adjustment via oblong hole</p> <p>Ø35</p> <p>Ø25</p> <p>56</p> <p>20</p>	<p><b>Wall fixing for tubular track / solid track</b></p>	<p><b>29.445</b></p>

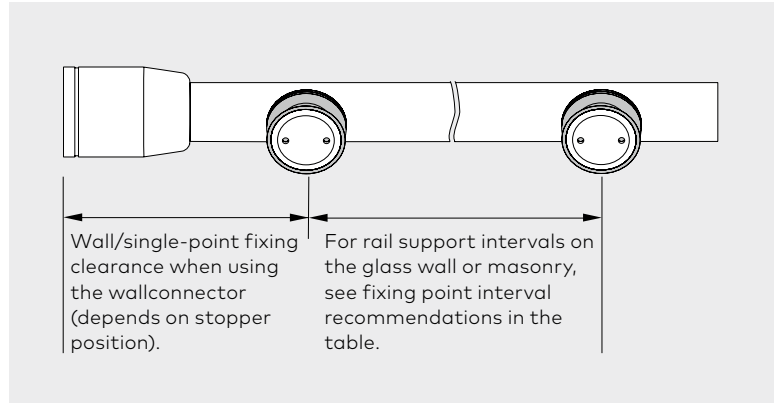
# Solid track and accessories

## Track supply and installation

The track rail for the sliding door is pre-fabricated according to the customer's drawing and supplied together with the glass or wall brackets ordered for the application concerned.

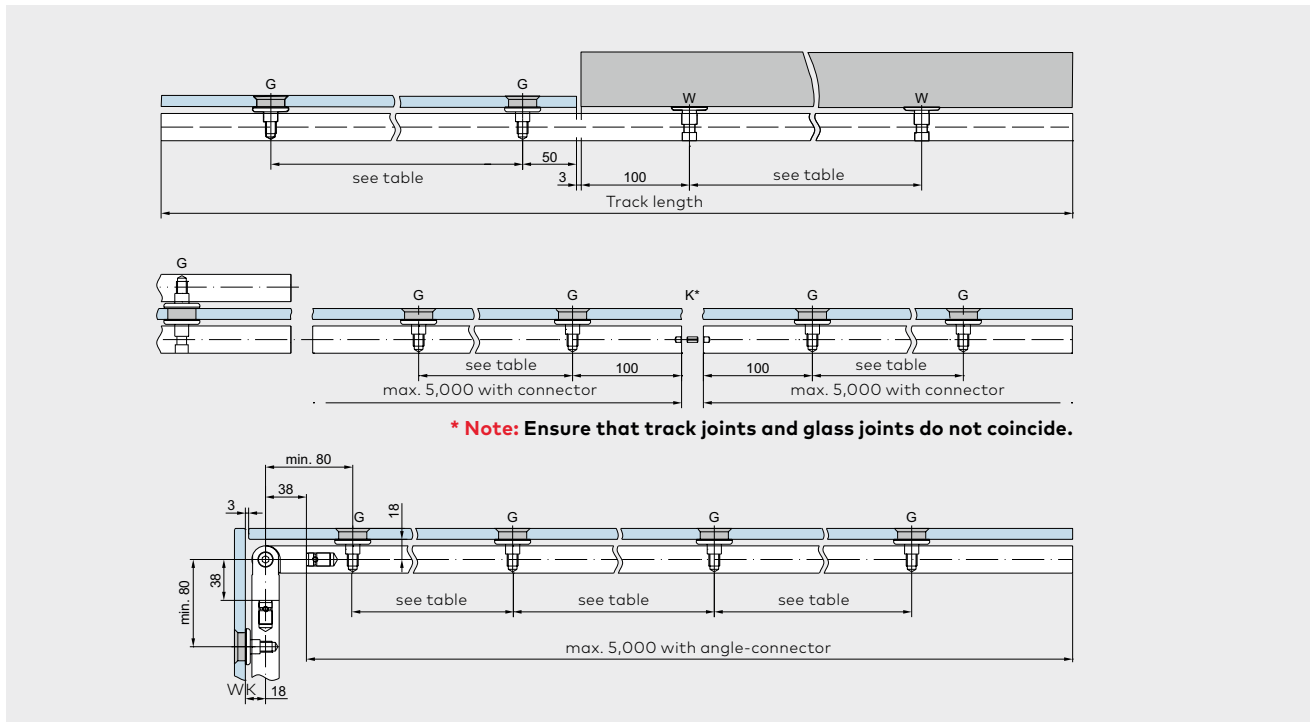
## Fixing screws for wall installation by others

Of decisive importance for prefabrication and fixing to glass partitions is that the mounting points coincide with the holes drilled in the glass. The length-wise tolerances should not be greater than  $\pm 0.3$  mm.



**Caution!** Ensure that the stops/single-point fixings are positioned at locations appropriate to the width of the door.

## Required dimensions for the track production

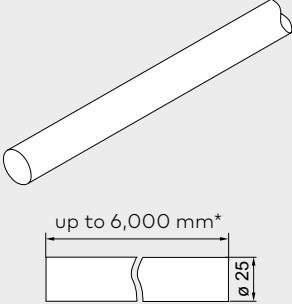


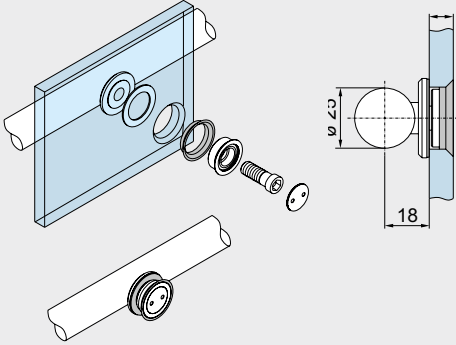
G = Fixing point at glass  
W = Fixing point at wall

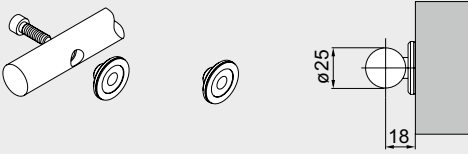
K = Connection  
WK = Angle-connection

## Recommended distance of the track fixing points

Door height in mm	Door width in mm																													
	700			800			900			1,000			1,100			1,200			1,300			1,400								
	Glass thickness mm	Glass thickness mm	Glass thickness mm	Glass thickness mm	Glass thickness mm	Glass thickness mm	Glass thickness mm	Glass thickness mm	Glass thickness mm	Glass thickness mm	Glass thickness mm	Glass thickness mm	Glass thickness mm	Glass thickness mm	Glass thickness mm	Glass thickness mm	Glass thickness mm	Glass thickness mm	Glass thickness mm	Glass thickness mm	Glass thickness mm	Glass thickness mm								
1,900	8	10	12	8	10	12	8	10	12	8	10	12	8	10	12	8	10	12	8	10	12	8	10	12	8	10	12			
2,000	770	710	670	770	720	670	770	710	670	760	710	670	760	700	660	750	700	650	740	690	650	730	680	640	720	660	630			
2,100	750	700	650	750	700	660	750	700	650	740	690	650	740	680	640	730	680	640	720	670	630	710	660	620	700	650	610			
2,200	730	680	640	730	680	640	730	680	640	730	670	630	720	670	630	710	660	620	710	660	620	700	650	610	690	640	600			
2,300	710	660	620	710	660	620	710	660	620	710	660	620	700	650	610	700	650	610	690	640	600	680	630	590	670	620	580			
2,400	690	640	610	700	650	610	700	640	610	690	640	600	690	640	600	680	630	600	680	630	590	670	620	580	660	610	570			
2,500	680	630	590	680	630	590	680	630	590	680	630	590	670	620	590	670	620	580	660	610	580	660	610	570	650	600	570	640	600	570

	<b>Produktbeschreibung</b>	<b>Art.-No.</b>
	<p><b>Solid track</b> The track rail is prefabricated per customer specifications/drawing with all the necessary drill holes already provided.</p> <p><b>Track, drilled</b> for fixing at glass fixed length up to 6,000 mm</p> <p>for fixing at wall up to 6,000 mm</p>	<p><b>21.405</b></p> <p><b>21.406</b></p>

<b>Single-point fixing for solid track fixing at glass</b>	<b>Product description</b>	<b>Glass thickness</b>	<b>Art. No.</b>
	<p><b>for X = 20 – 30 mm Single-point fixing, countersunk, fixed</b> AISI 316L</p>	<p>10/12 mm</p>	<p><b>29.460</b></p>

<b>Solid track fixing at wall</b>	<b>Product description</b>	<b>Art. No.</b>
	<p><b>Flange for fixing the track at wall</b></p>	<p><b>21.346</b></p>



## Roller carrier and accessories

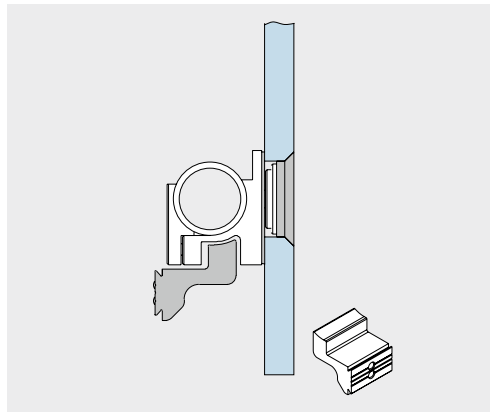
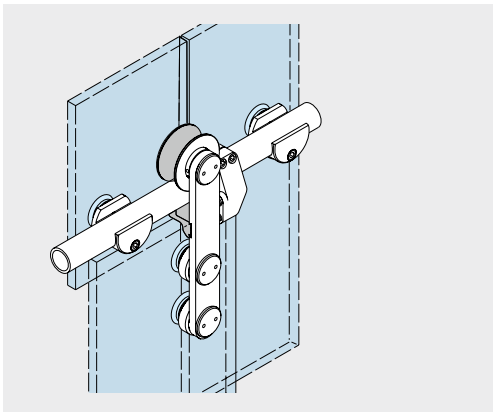
The MANET sliding door system integrates perfectly and elegantly into the room concepts created in this way. Depending on style and taste, you can choose between surface-mounted and glass point fixings (clamping disk or counter-sunk).

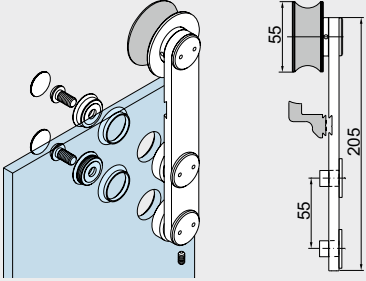
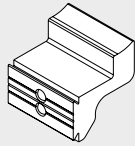
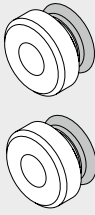
In addition to the standard versions incorporated in toughened glass partitions or face-fixed on masonry openings, this hardware system can also be used to construct curved sliding doors, biparting sliding doors and parallel sliding doors. The fittings are designed for a door weight of max. 120 kg, resp. 80 kg with roller to glass. Mechanical stops that can be positioned on the track rail ensure that the door travel distance is effectively limited.

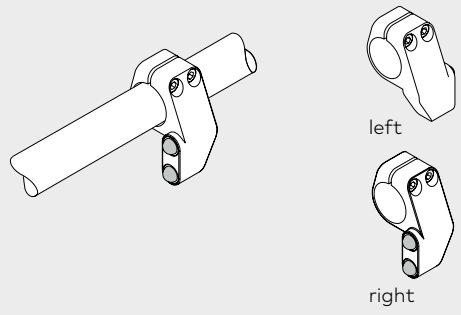
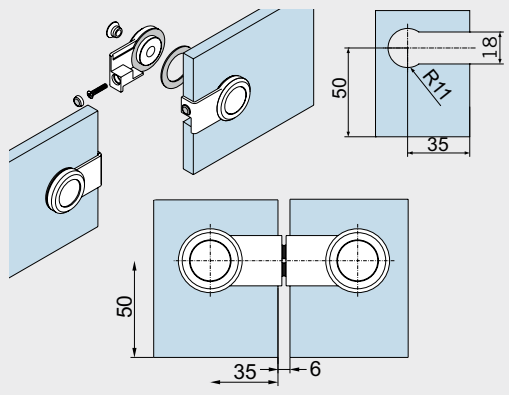


Roller carrier CLASSIC

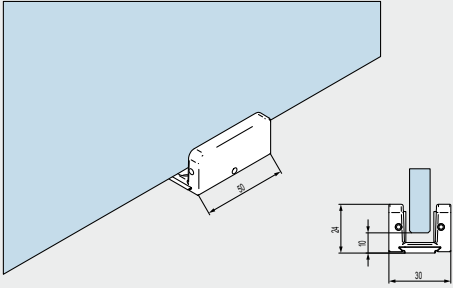
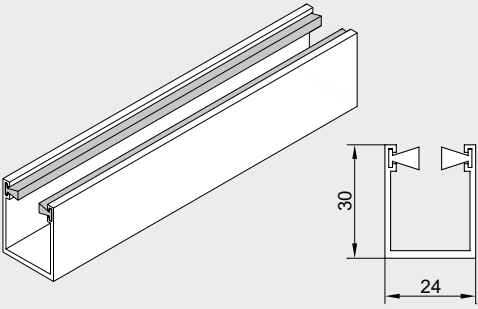
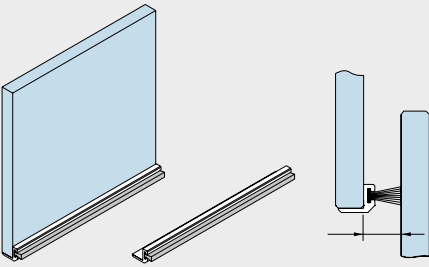
### Glass connection with clamp fixing and tubular tracks



	Product description	Glass thickness	Art. No.
	<p><b>Roller carrier CLASSIC</b> incl. anti-jump device</p> <p>only lug with roller</p>		<b>29.422</b>
	<p><b>Lift-out protection</b> PU: 2 pieces (for systems from delivery date 01.2012. Older versions on request.)</p>		<b>29.221</b>
	<p><b>Single-point fixing for roller carrier, 2 pcs. each</b></p> <p>countersunk for glass</p>	8 – 13.5 mm	<b>29.430</b>

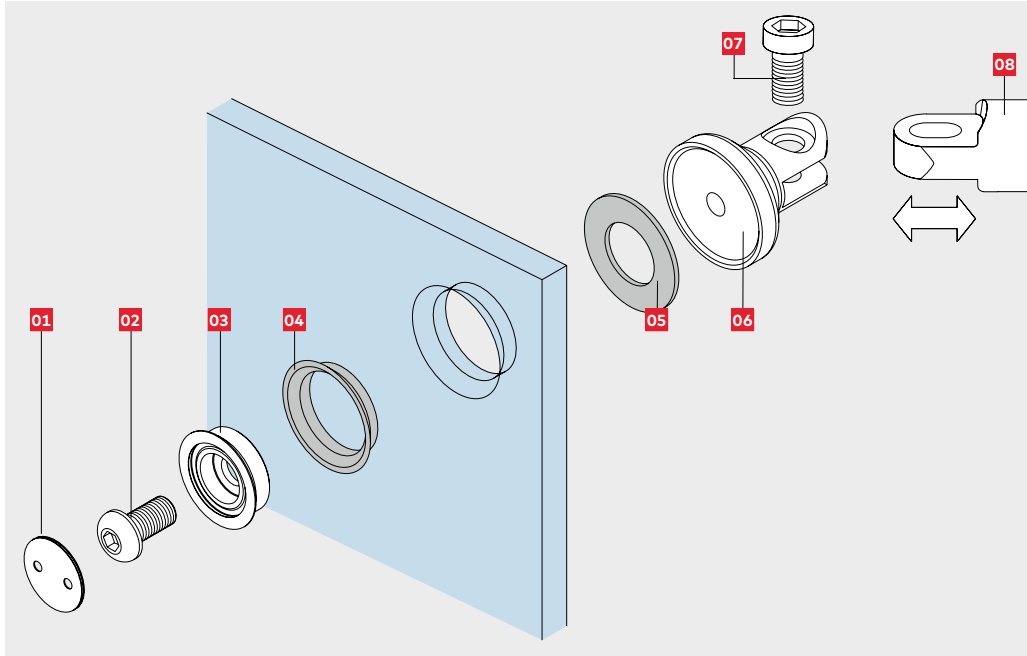
Door stop	Product description	DIN	Art.-No.
	<p><b>Door stop</b></p> <p>AISI 316L</p> <p>AISI 316L</p>	<p>left</p> <p>right</p>	<p><b>29.425</b></p> <p><b>29.428</b></p>
	<p><b>Spacer</b> for sliding doors that move in opposite directions</p> <p>Please order our detail sheet 29-044-B for details of glass preparations.</p>		<b>29.420</b>

# Accessories for sliding door system

	Product description	Glass thickness	Art. No.
	<p><b>Floor guide</b> clamping disc, applicable for glass</p> <p>AL niro anodized (Niro N 700)</p>	<p>8/13.5 mm</p>	<p><b>36.105</b></p>
	<p><b>MUTO Premium XL 80/150</b> <b>Subsurface floor guide track rail</b> <b>with brushes</b></p> <p>stock length 6,000 mm fixed length</p>		<p><b>36.561</b> <b>36.562</b></p>
 <p>15.5 for 8 mm glass 13.5 for 10 mm glass 11.5 for 12 mm glass</p>	<p><b>Aluminum brush profile</b> similar satin stainless steel</p> <p>for gap size 14 – 18 mm stock length 3,000 mm</p> <p>fixed length up to 6,000 mm</p> <p>for gap size 10.5 – 13 mm stock length 3,000 mm</p> <p>fixed length up to 6,000 mm</p>		<p><b>07.402</b></p> <p><b>07.403</b></p> <p><b>07.400</b></p> <p><b>07.401</b></p>

# Connection elements

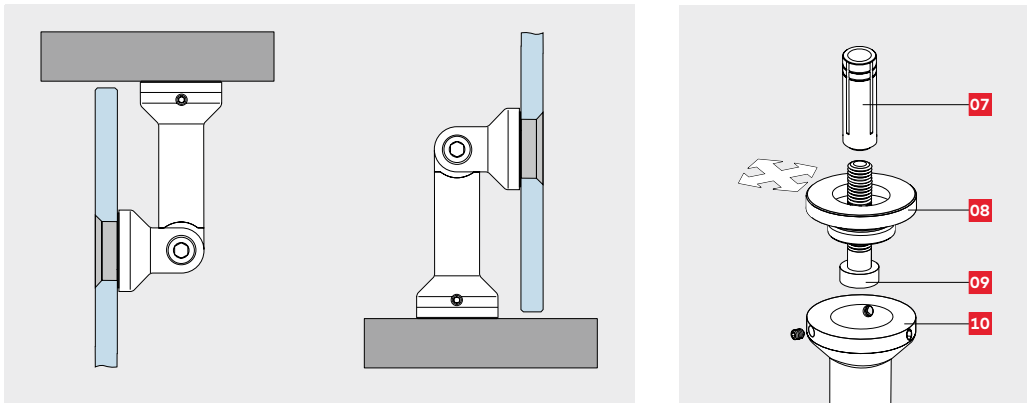
## Glass fixing



### Components

- 01** Clip-on cover
- 02** Connecting bolt
- 03** Conical collar
- 04** Conical sleeve
- 05** Gasket
- 06** Pivoting clamp
- 07** Connecting bolt
- 08** Connecting rod to suit length

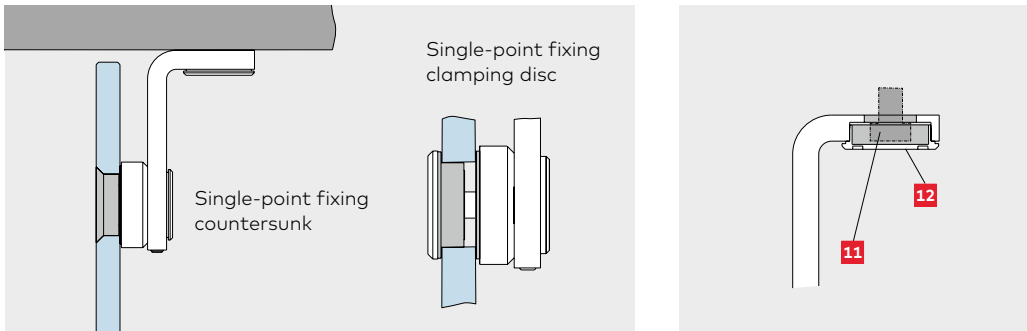
## Connection ceiling / floor



### Components

- 07** Wallplug on site
- 08** Mounting plate, 2-dimensional adjustable
- 09** Threaded rod M8
- 10** Column

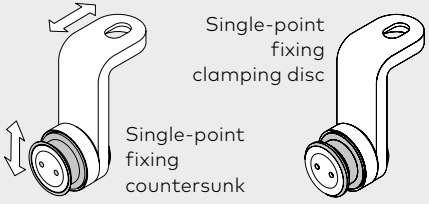
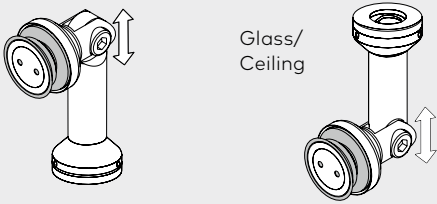
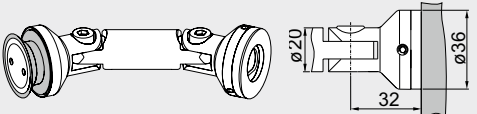
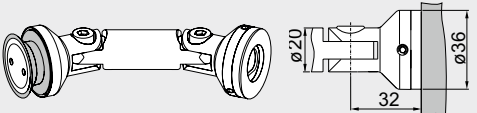
## Alternative connection ceiling

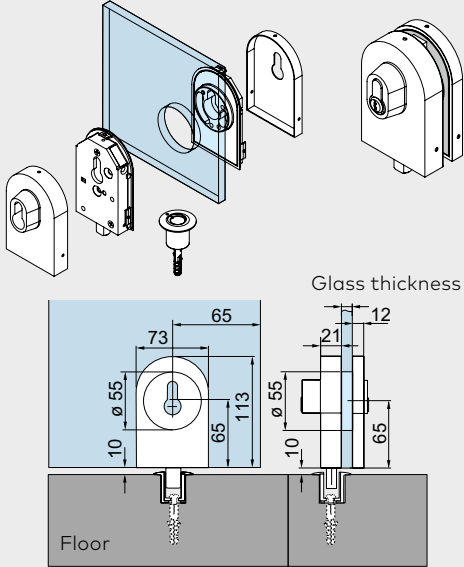
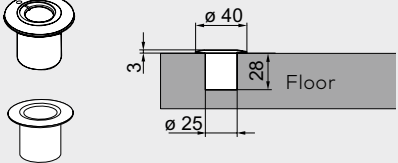

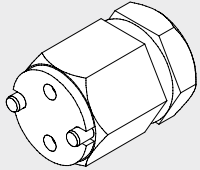
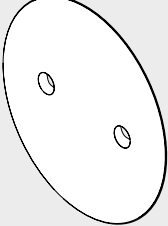


### Components

- 11** Threaded rod M8 DIN 7984 M10 x..., or oval-head wood screw DIN 7996 M8 x...
- 12** Clip-on cover

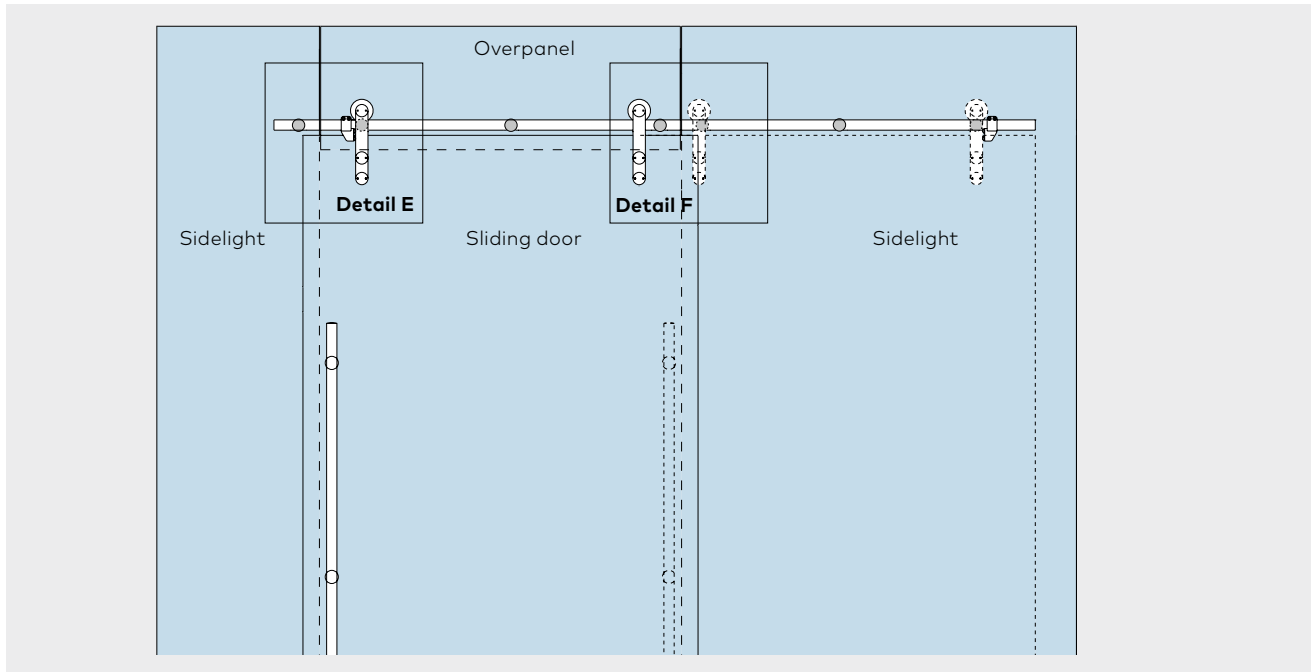
# Accessories for connection system

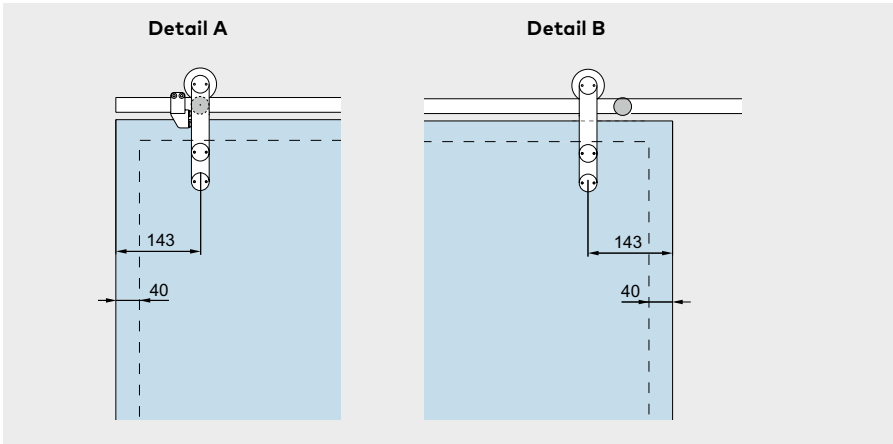
	Product description	Glass thickness	Art. No.
 <p>Single-point fixing clamping disc</p> <p>Single-point fixing countersunk</p> <p>Height adjustment via grub screw</p>	<p><b>Complete fitting Ceiling fixing</b> (bearing function)</p> <p>countersunk AISI 316L clamping disc AISI 316L</p>	<p>8 – 13.5 mm</p>	<p><b>29.337</b></p> <p><b>29.338</b></p>
 <p>Glass/ Ceiling</p> <p>Glas/Boden</p>	<p><b>Komplettbeschlag Deckenverbinder</b></p>	<p>8 – 12 mm</p>	<p><b>29.145</b></p>
<p>Glass / Glass 90° – 180°</p>  <p>Connecting rod 52.5 / 60 / 82 / 103 mm</p>	<p><b>Complete fitting glass / glass</b></p> <p>With connecting rod 60 mm With connecting rod 103 mm</p>	<p>8 – 13.5 mm</p>	<p><b>29.122</b></p> <p><b>29.130</b></p>
<p>Glass / Glass 90° – 180°</p>  <p>Connecting rod 52.5 / 60 / 82 mm</p>	<p><b>Complete fitting glass / wall</b></p> <p>With connecting rod 60 mm mit Verbindungsachse 103 mm</p>	<p>8 – 13.5 mm</p>	<p><b>29.140</b></p> <p><b>29.158</b></p>

	Product description	Glass thickness	Art. No.
	<p><b>Corner lock</b> with profile cylinder rose on the inside for glass</p> <p><b>Profile cylinder</b> for corner lock</p>	<p>8 – 12 mm</p>	<p><b>21.449</b></p> <p><b>14.206</b></p>
	<p><b>Eccentric bushing</b> for corner lock</p>		<p><b>05.194</b></p>
	<p><b>Strike plate</b></p>		<p><b>05.190</b></p>
	<p><b>Assembling tool for MANET single-point fixing</b></p>		<p><b>21.134</b></p>
	<p><b>Clip-on cover for single-point fixing with spring,</b> 5 pieces</p> <p>material 1.4305 do.material 1.4404</p>		<p><b>29.217</b></p> <p><b>29.219</b></p>

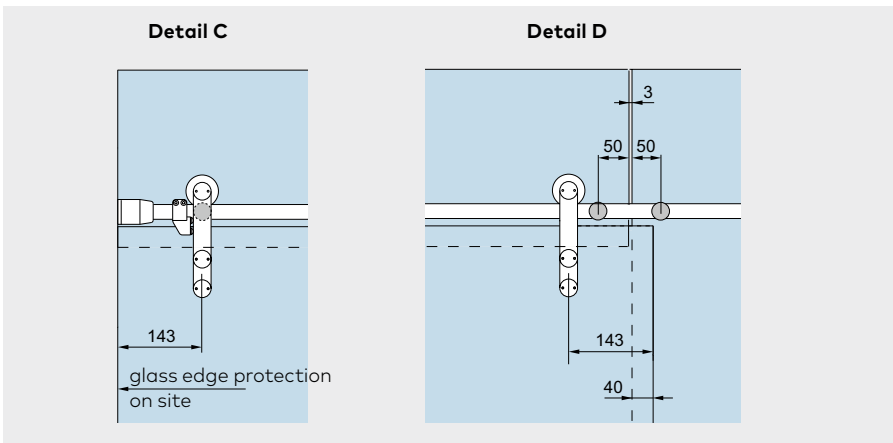
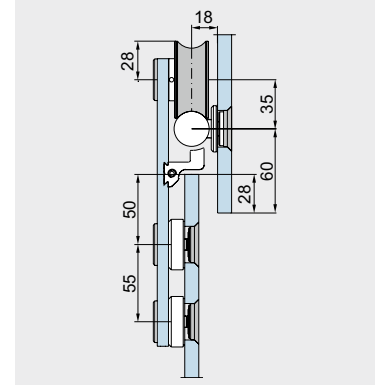
# Glass preparation for sliding door system

## Sliding door with two sidelights and overpanel

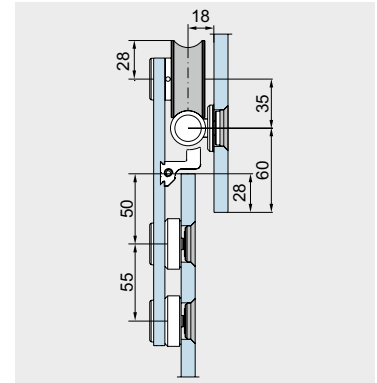




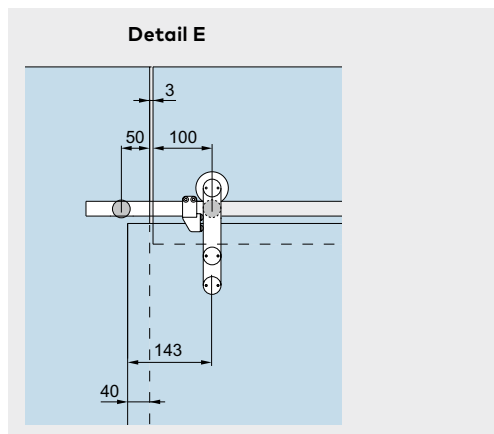
**Sliding door with solid track**



**Sliding door with tubular track and clamp fixing**



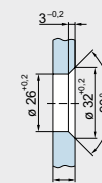
Dimensional data should be regarded exclusively as recommended values. Please remember when designing your system that the positions of the stops and point fixings must not vertically coincide. For spacing/interval recommendations when drilling the track holes, and for requisite dimensions for fixing the track rail, please refer to the table entitled "Recommended distance of the track fixing points".



Countersunk bore for countersunk single-point fixings

Cylindrical bore for clamping disc single-point fixings

**TSG**

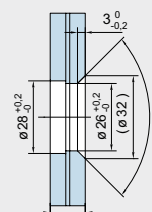


Glass thickness

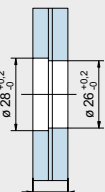


Glass thickness

**LSG**



Glass thickness



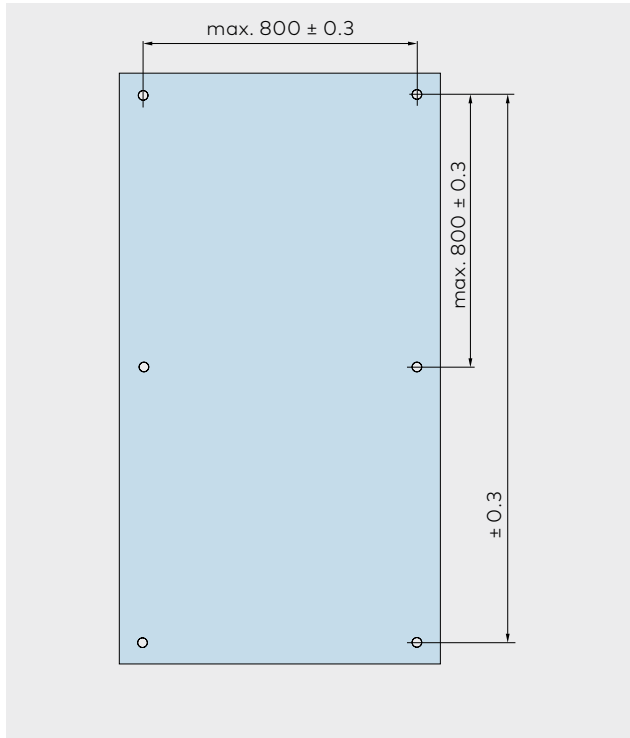
Glass thickness

**An appropriately dimensioned and torsionally stiff substructure needs to be provided for installation.**

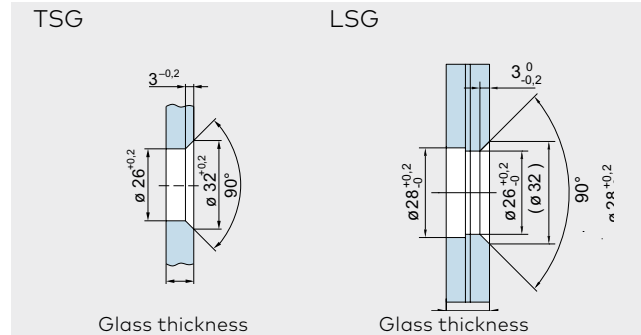


# Glass preparation connection system

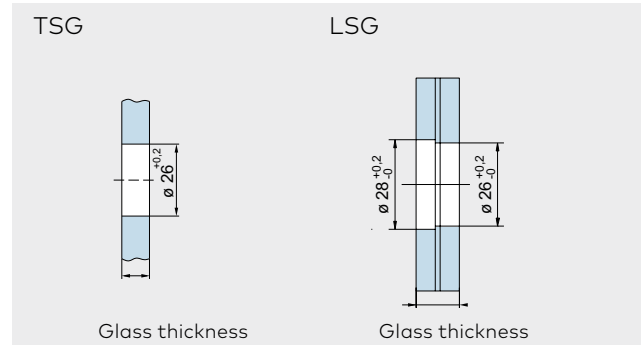
For TSG and LSG from TSG.  
Recommended centers for fixed glazing element



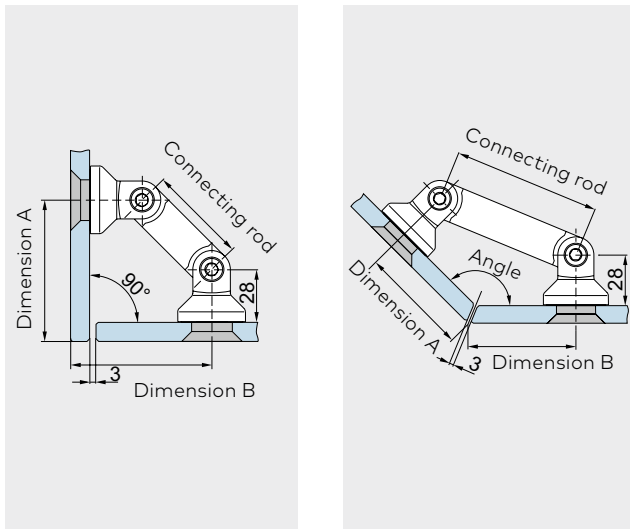
## Countersunk bore for countersunk single-point fixings



## Cylindrical bore for clamping disc single-point fixings



## Corner connectors glass / glass 90 – 180°



## Corner connectors glass / glass (dimensions in mm)

Angle	Length of connecting rod			
	52.5	60	82	103
90°	75	80	96	
95°	70	75	90	
100°	66	71	85	
105°	62	67	81	
110°	59	63	77	
115°	55	60	73	
120°	52	56	69	
125°	49	54	66	
130°	47	51	63	
135°	44	48	60	
180°				50



# Content

## Wall connection profile

172	<b>General information</b>
172	<b>Components</b>
176	<b>Accessories</b>
190	<b>Safety-related information</b>



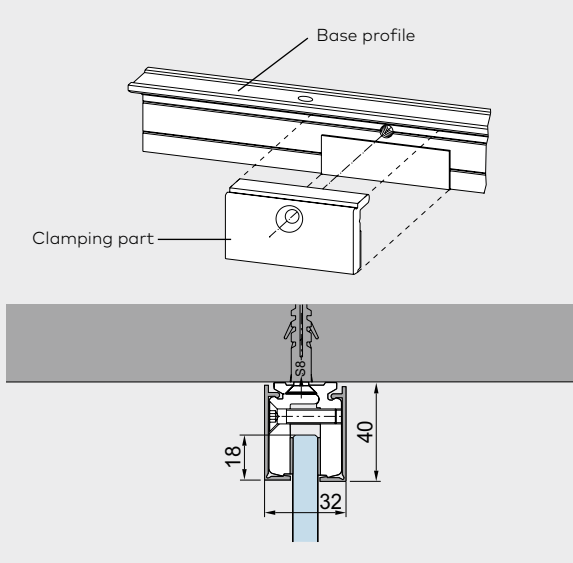
## Wall connection profile

# Wall connection profiles

Consisting of: base profile, with bore holes (every 300 mm), incl. clamping parts with screws and gasket strips.

**Application:**

e. g. all around frame system for toughened glass assemblies, with fittings on sides and ceiling. The safety type prevents free hanging glass elements from falling down, by fixing the clamping fitting through glass holes. 15 kg load for each clamping part, torque for fixing screws 15 Nm (M 6 = Allan key size 4).

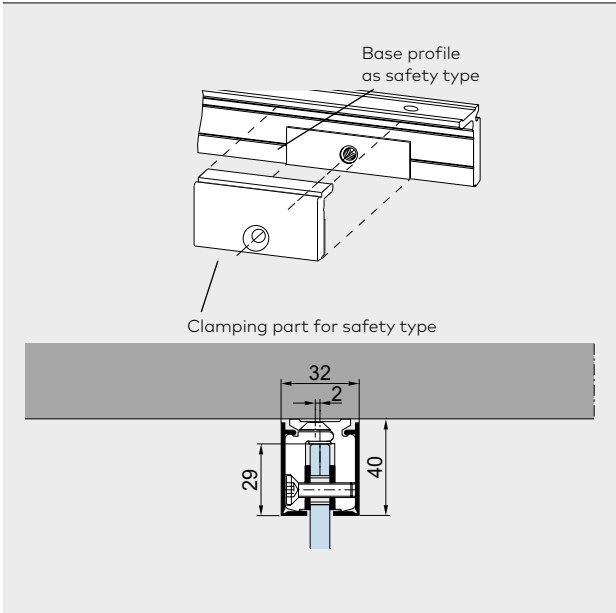
	Product description	Glass thickness	Art. No.	
	<b>Base profile</b> 6,000 mm Stock length	8 mm	<b>07.042</b>	
		10 mm	<b>07.001</b>	
		12 mm	<b>07.002</b>	
		12.7 mm	<b>07.045</b>	
		13.5 mm	<b>07.046</b>	
		15 mm	<b>07.047</b>	
		17 mm	<b>07.048</b>	
		19 mm	<b>07.049</b>	
		<b>Fixed length</b>	8 mm	<b>07.050</b>
			10 mm	<b>07.051</b>
			12 mm	<b>07.052</b>
			12.7 mm	<b>07.055</b>
			13.5 mm	<b>07.056</b>
			15 mm	<b>07.057</b>
			17 mm	<b>07.058</b>
			19 mm	<b>07.059</b>
		<b>Clamping part (addition/replacement)</b> 60 mm long, with screws and gasket strips	8 mm	<b>07.043</b>
			10 mm	<b>07.004</b>
			12 mm	<b>07.005</b>
			12.7 mm	<b>07.085</b>
		13.5 mm	<b>07.086</b>	
		15 mm	<b>07.087</b>	
		17 mm	<b>07.088</b>	
		19 mm	<b>07.089</b>	

**Safety type**

**Product description**

**Glass thickness**

**Art. No.**



**Base profile as safety type**  
**6,000 mm Stock length**

8 mm     **07.060**  
 10 mm    **07.061**

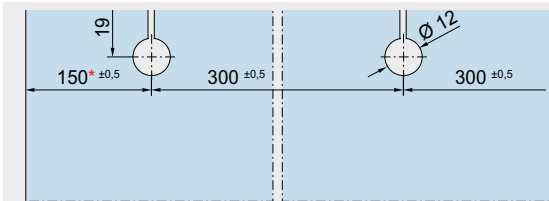
**Fixed length**

8 mm     **07.066**  
 10 mm    **07.067**

Weight in kg/m:  
 Aluminum     1.200

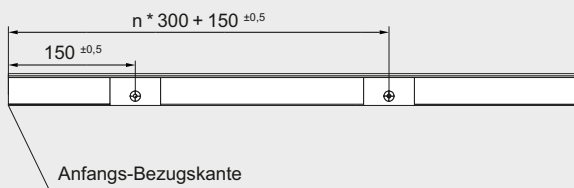
**Clamping part (addition/replacement) for Safety type**  
 60 mm long,  
 with screws and gasket strips

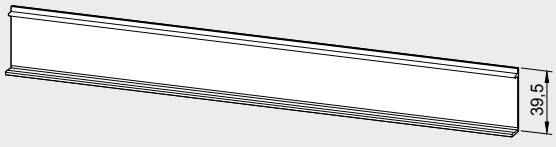
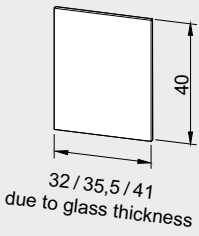
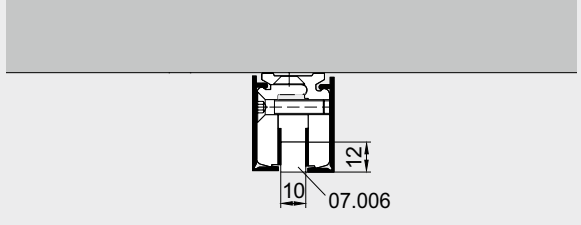
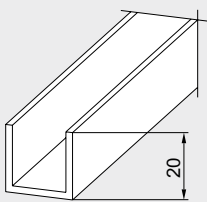
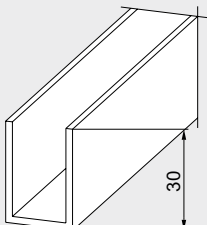
8 mm     **07.063**  
 10 mm    **07.064**



**Glass preparation for Safety type**

\*If glass and profile are aligned.



	Product description	Glass thickness	Art. No.
	<p><b>Clip on cover profile</b> brass, stainless steel, satin and stainless steel polished door available</p> <p>Weight in kg/m: Aluminum 0.216 Stainless steel 0.366</p> <p>6,000 mm stock length fixed length</p>		<p><b>07.003</b> <b>07.053</b></p>
 <p>32 / 35,5 / 41 due to glass thickness</p>	<p><b>End cap</b></p> <p>Weight in kg/pc: Aluminum 0.003 Brass 0.090 Stainless steel 0.090</p> <p>Aluminum 0.003 Brass 0.010 Stainless steel 0.010</p> <p>Aluminum 0.003 Brass 0.011 Stainless steel 0.012</p>	<p>8 mm and 10 mm</p> <p>12–13.5 mm</p> <p>15–19 mm</p>	<p><b>07.007</b></p> <p><b>07.044</b></p> <p><b>07.065</b></p>
 <p>10 12 07.006</p>	<p><b>Filler block, 10 x 12 mm</b></p> <p>6,000 mm stock length fixed length</p> <p>Weight in kg/m: Aluminum 0.325</p>		<p><b>07.006</b> <b>07.054</b></p>
 <p>20</p>	<p><b>U-profile</b> 20 x 20 x 20 x 2 mm</p> <p>6,000 mm stock length fixed length</p> <p>Weight in kg/m: Aluminum 0.304</p>		<p><b>07.092</b> <b>07.093</b></p>
 <p>30</p>	<p><b>U-profile</b> 30 x 20 x 30 x 2 mm</p> <p>6,000 mm stock length fixed length</p> <p>Weight in kg/m: Aluminum 0.304</p>		<p><b>07.097</b> <b>07.096</b></p>

# Space for your notes



# Content

## Accessories

- 178 **General information**
- 179 **Handle bars, door knobs,  
recessed pull grips and brush seals**
- 188 **Assembling aid**
- 190 **Safety-related information**



# Accessories

## Pull handles, door knobs and recessed pull grip

The pull handle/knob system is designed for glass of 8, 10 and 12 mm thickness.

The pull handles can be fixed to both sliding and pivoting (swing) doors on one face using the appropriate connectors or on both faces by through-bolting (back-to-back arrangement).

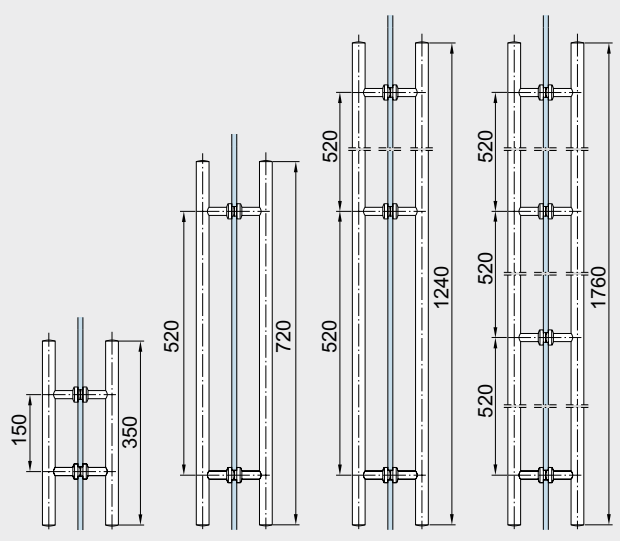
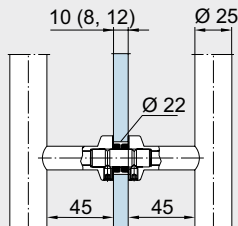
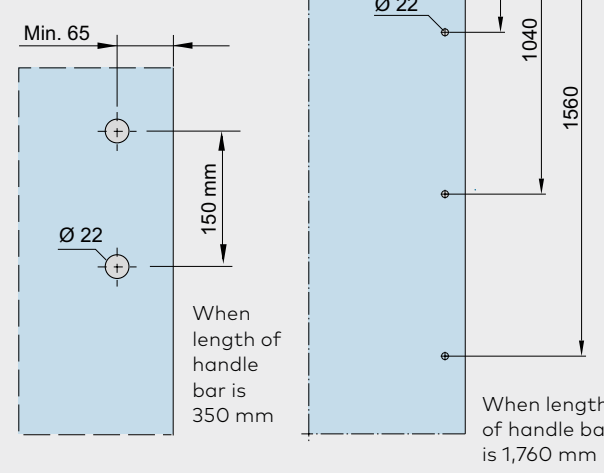
Due to a flat structure recessed pull grips are also suitable for sliding doors.

The single-point fixings and through bolts are included as standard equipment in the scope of supply.

The pull handles can be fitted horizontally, vertically or in a handrail arrangement.





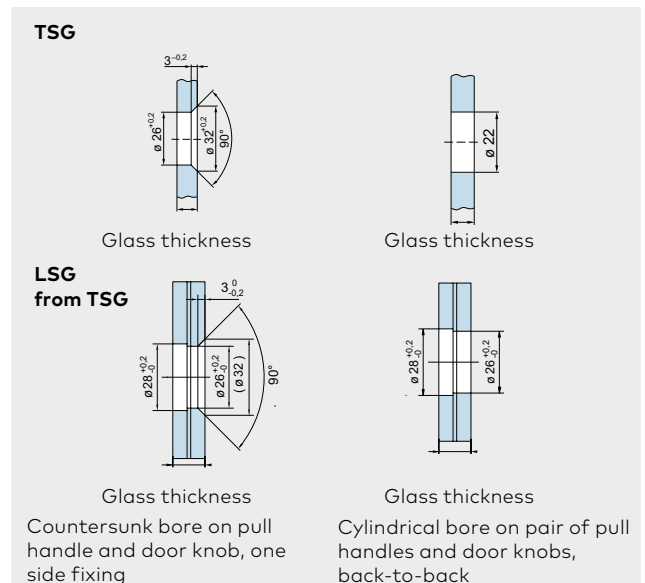
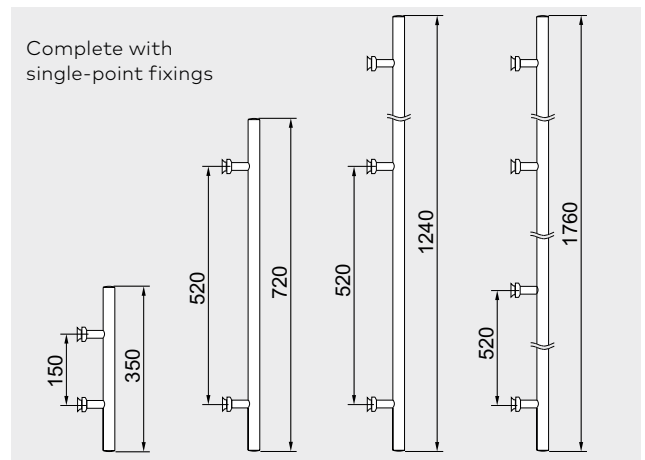
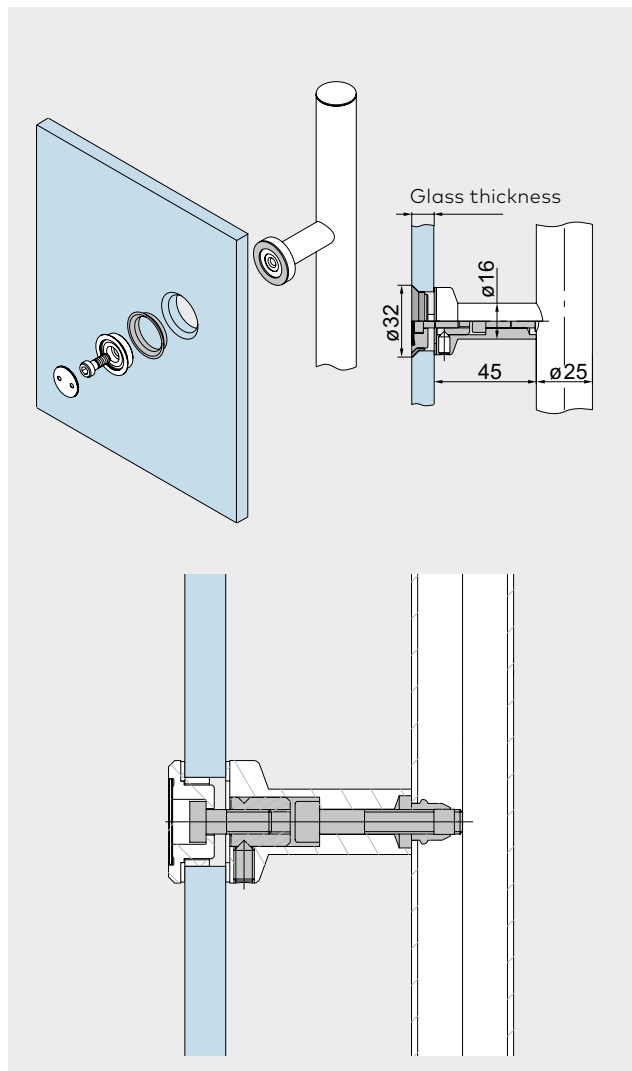
# Handle bars

	Product description	Glass thickness	Art. No.
	<p><b>Pair of handle bars satin stainless steel</b> length 350 mm, 2 fixing points, weight in kg: 1.254 material 1.4305 do., material 1.4404</p>	8/10/12 mm	<p><b>21.267*</b> <b>21.247</b></p>
	<p><b>Pair of handle bars aluminum</b> length 350 mm, 2 fixing points, weight in kg: 1.326 aluminum</p>	8/10/12 mm	<p><b>03.400</b></p>
	<p><b>Pair of handle bars satin stainless steel</b> length 720 mm, 2 fixing points, weight in kg: 1.947 material 1.4305 do., material 1.4404</p>	8/10/12 mm	<p><b>21.270*</b> <b>21.250</b></p>
<p><b>Pair of handle bars aluminum</b> length 720 mm, 2 fixing points, weight in kg: 2.423 aluminum</p>	8/10/12 mm	<p><b>03.402</b></p>	
	<p><b>Pair of handle bars satin stainless steel</b> length 1,240 mm, 3 fixing points, weight in kg: 3.400 material 1.4305 do., material 1.4404</p>	8/10/12 mm	<p><b>21.273*</b> <b>21.253</b></p>
	<p><b>Pair of handle bars satin stainless steel</b> length 1,760 mm, 4 fixing points, weight in kg: 5.000 material 1.4305 do., material 1.4404</p>	8/10/12 mm	<p><b>21.276*</b> <b>21.256</b></p>

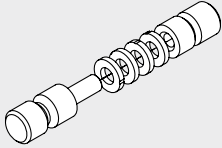
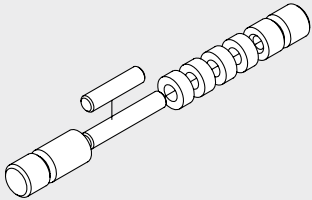
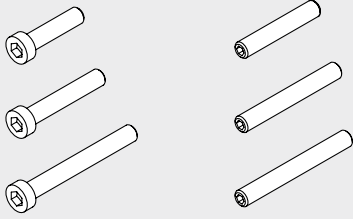
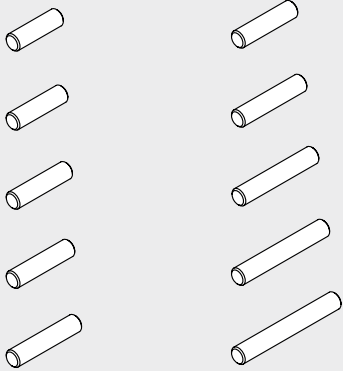
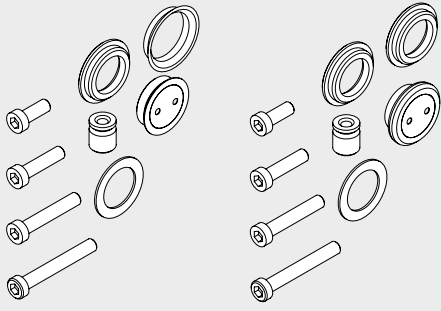
\* Conversion sets for back to back pull handles for timber doors resp. other glass thicknesses see unter "Spacing adjustment for pull handles and door knobs", page 181.

# Pull handles single

	Product description	Glass thickness	Art. No.	
	<b>Pull handles with single-point fixings, countersunk stainless steel</b> Pull handle 350 mm with 2 fixings, material 1.4305 do., AISI 316L Pull handle 720 mm with 2 fixings, material 1.4305 do., AISI 316L Pull handle 1,240 mm with 3 fixings, material 1.4305 do., AISI 316L Pull handle 1,760 mm with 4 fixings, material 1.4305 do., AISI 316L	8/10/12 mm	<b>29.268</b> <b>29.269</b> <b>29.271</b> <b>29.272</b> <b>29.274</b> <b>29.275</b> <b>29.277</b> <b>29.278</b>	
		<b>Pull handles with single-point fixings, clamping disc</b> Pull handle 350 mm with 2 fixings, material 1.4305 do., AISI 316L Pull handle 720 mm with 2 fixings, material 1.4305 do., AISI 316L Pull handle 1,240 mm with 3 fixings, material 1.4305 do., AISI 316L Pull handle 1,760 mm with 4 fixings, material 1.4305 do., AISI 316L	8/10/12 mm	<b>21.240</b> <b>21.241</b> <b>21.281</b> <b>21.242</b> <b>21.243</b> <b>21.283</b>

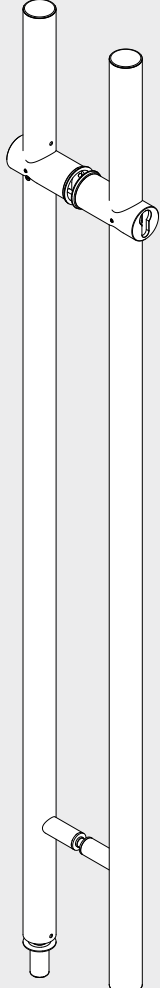


# Spacing adjustment for pull handles and door knobs

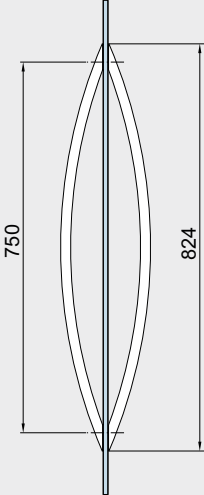
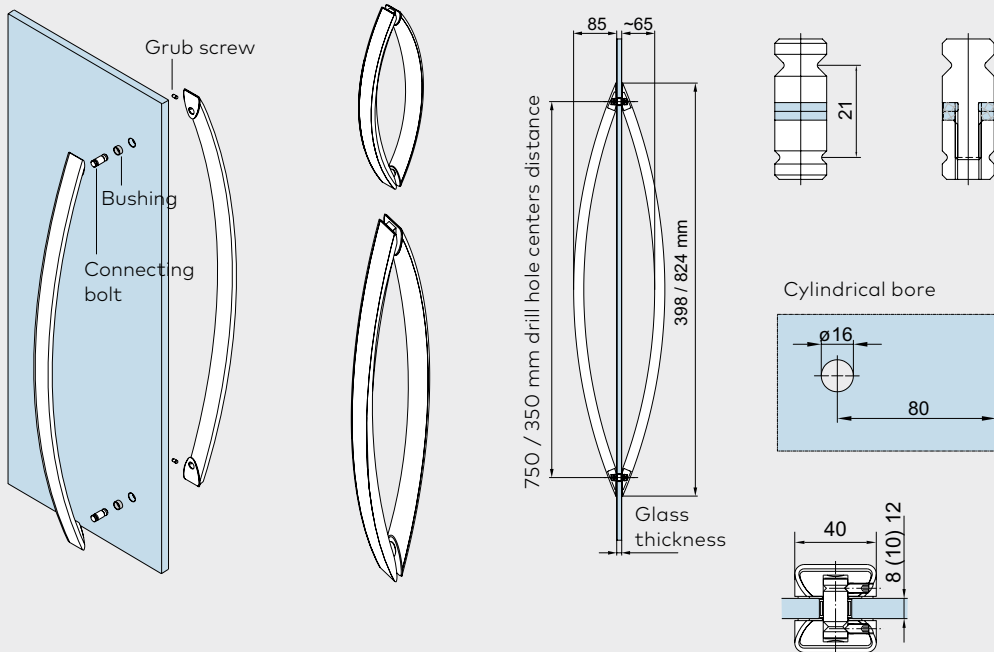
	Product description	Door thickness	Art. No.
 <p>Distance washer 2 mm</p>	<p><b>Conversion set 1 for glass doors,</b> pair of pull handles / knob back-to-back</p> <p>without distance washer with 1 distance washer with 2 distance washers with 3 distance washers with 4 distance washers</p>	<p>13.5 – 21.5 mm</p> <p>13.5 mm 15 mm 17.5 mm 19 mm 21.5 mm</p>	<p><b>21.285</b></p>
 <p>Distance washer 5 mm</p>	<p><b>Conversion set 2 for timber doors,</b> pair of pull handles / knob back-to-back</p> <p>without distance washer with 1 distance washer with 2 distance washers with 3 distance washers with 4 distance washers</p>	<p>20 – 40 mm</p> <p>20 mm 25 mm 30 mm 35 mm 40 mm</p>	<p><b>21.286</b></p>
 <p>Set 3                      Set 4</p>	<p><b>Conversion set 3 for glass / timber doors*,</b> pair of pull handles / knob back-to-back, countersunk 15 - 40 mm glass / timber thickness</p> <p><b>Conversion set 4 for glass / timber doors*,</b> pair of pull handles / knob back-to-back, clamping disc 15 - 40 mm glass / timber thickness</p>		<p><b>21.287</b></p> <p><b>21.288</b></p>
 <p>Set 5                      Set 6</p>	<p><b>Conversion set 5 for glass doors*,</b> recessed pull grip 13.5 - 21.5 mm glass thickness</p> <p><b>Conversion set 6 for timber doors*,</b> recessed pull grip 20 - 40 mm timber thickness</p>		<p><b>21.295</b></p> <p><b>21.296</b></p>
 <p>Set 7                      Set 8</p>	<p><b>Conversion set 7 for glass / timber doors*,</b> for pull handles fixed on both sides to pull handle fixed on one side, countersunk 8 - 40 mm glass / timber thickness 1 set per pull handle fixing</p> <p><b>Conversion set 8 for glass / timber doors*,</b> for pull handles fixed on both sides to pull handle fixed on one side, clamping disc 8 - 40 mm glass / timber thickness 1 set per pull handle fixing</p>		<p><b>21.297</b></p> <p><b>21.298</b></p>

\*Not suitable for Arcos pull handles 26.500 / 26.510

# Pair of pull handles

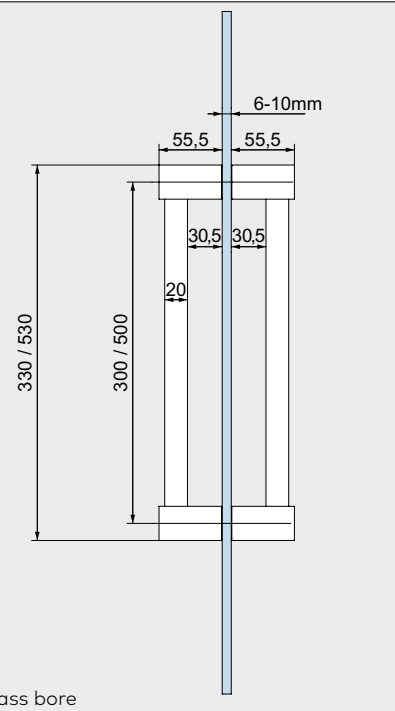
	Product description	Glass thickness	Art. No.
	<b>Pair of stainless steel handlebars,</b> lockable on both sides, prepared for standard PZ, length 1200 mm, incl. floor socket	8 - 17.5 mm	<b>21.580</b>
	<b>Pair of stainless steel handlebars,</b> lockable on one side, prepared for standard PZ, length 1200 mm, incl. floor socket	8 - 17.5 mm	<b>21.581</b>
<p>Further information, e.g. the required profile cylinder length, can be found in our detail on sheets 29-115 to 29-116.</p>			

# Arcos pull handle

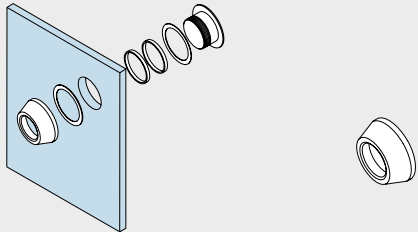
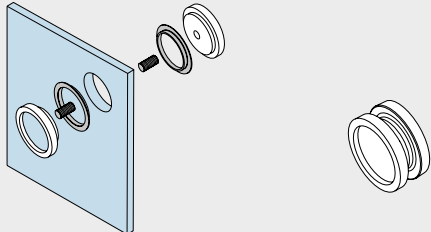
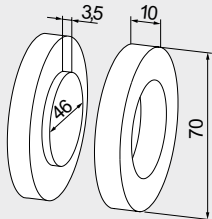
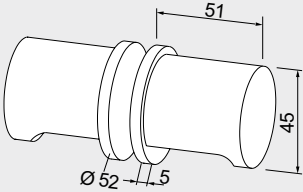
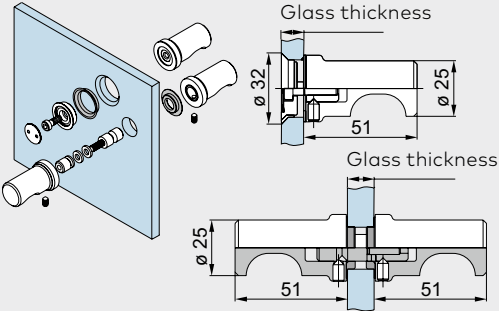
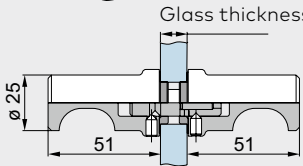
	Product description	Glass thickness	Art. No.
	<p><b>Arcos pair of pull handle</b> incl. connecting bolt Aluminium, stainless steel look</p> <p>Pull handle 350 mm with 2 fixings Pull handle 750 mm with 2 fixings</p>	<p>8/10/12 mm</p>	<p><b>26.500</b> <b>26.510</b></p>
			



# Handle bars

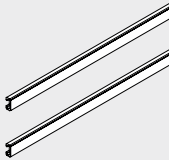
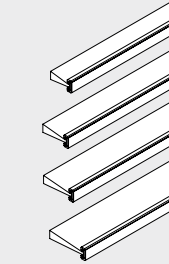
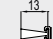
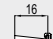
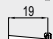
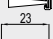
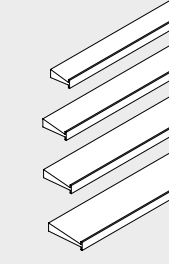
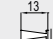
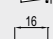
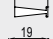

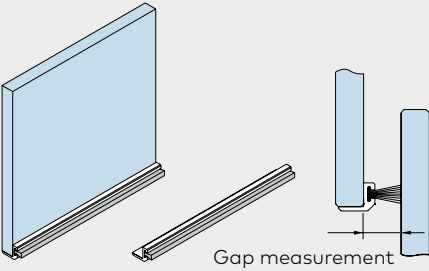
	Product description	Art. No.
 <p data-bbox="159 1041 367 1077">Ø 12 mm Glass bore</p>	<p data-bbox="694 369 909 403"><b>Pull handle "Quadrat"</b></p> <p data-bbox="694 403 941 459">Glas thickness 6 - 10 mm with 2 fixings Ø 12 mm</p> <p data-bbox="694 470 853 504">Length 300 mm</p> <p data-bbox="694 504 853 537">Length 500 mm</p>	<p data-bbox="1364 470 1444 504"><b>75.084</b></p> <p data-bbox="1364 504 1444 537"><b>75.085</b></p>

# Recessed pull grips and door knobs

	Product description	Glass thickness	Art. No.
 <p>Ø 38 mm Glass bore</p>	<p><b>Recessed pull grip</b> Ø 50 mm</p>	8/10/12 mm	<b>21.290</b>
 <p>Ø 50 mm Glass bore</p>	<p><b>Recessed pull grip</b> Ø 60 mm</p> <p><b>Recessed pull grip with grip hole</b> Ø 60 mm</p>	<p>8/10/12 mm</p> <p>8 mm 10 mm 12 mm</p>	<p><b>21.291</b></p> <p><b>21.292</b> <b>21.293</b> <b>21.294</b></p>
 <p>Ø 50 mm Glass bore</p>	<p><b>Recessed pull grip</b> Ø 70 mm</p> <p>aluminum to be glued onto the glass Weight in kg: 0.072</p>		<b>07.200</b>
 <p>Ø 20 mm Glass bore</p>	<p><b>Door knob,</b> Ø 45 mm</p> <p>aluminum Weight in kg: 0.400</p>		<b>07.201</b>
 <p>Single-point fixing clamping disc (Ø 22 mm)</p> <p>(Glass preparation please see under "pull handles single", page 180)</p>	<p><b>Door knob one side fixing</b> Ø 25 mm</p> <p>Door knob with single-point fixing, countersunk Door knob with single-point fixings, clamping disc</p>	8/10/12 mm	<p><b>21.422</b></p> <p><b>21.426</b></p>
	<p><b>Door knob back-to-back</b></p>	8/10/12 mm	<b>21.423</b>

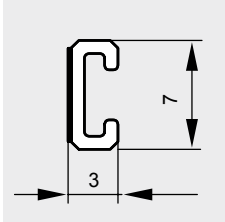
**Note:** To ensure better load transmission, please use a pull handle in conjunction with the DORMOTION damping unit.

# Brush seals

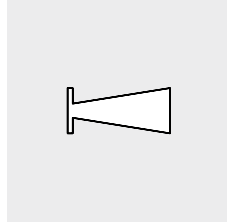
Brush seals for sliding doors	Product description	Art. No.	
	<b>MUTO reception profile for vertical brush seals</b> stock length: 4,500 mm	<b>36.826</b>	
	fixed length up to 4,500 mm	<b>36.827</b>	
	<b>MUTO reception profile with vertical brush seals</b> fixed length up to 4,500 mm		
		for 13-16 mm gap	<b>36.828</b>
		for 16-19 mm gap	<b>36.829</b>
		for 19-23 mm gap	<b>36.830</b>
		for 23-27 mm gap	<b>36.831</b>
	<b>MUTO vertical brush seal</b> fixed length up to 4,500 mm		
		for 13-16 mm gap	<b>36.860</b>
		for 16-19 mm gap	<b>36.861</b>
		for 19-23 mm gap	<b>36.862</b>
		for 23-27 mm gap	<b>36.863</b>
	<b>MUTO vertical brush seals</b>		
	for 13-16 mm gap (300 m roll)	<b>36.864</b> not illustr.	
	for 16-19 mm gap (250 m roll)	<b>36.865</b> not illustr.	
	for 19-23 mm gap (250 m roll)	<b>36.866</b> not illustr.	
	for 23-27 mm gap (150 m roll)	<b>36.867</b> not illustr.	
	<b>Aluminum brush profile (fixing on site)</b> similar satin stainless steel		
	for gap size 14-18mm stock length 3,000 mm	<b>07.402</b>	
	fixed length up to 6,000 mm	<b>07.403</b>	
	for gap size 10.5-13mm stock length 3,000 mm	<b>07.400</b>	
	fixed length up to 6,000 mm	<b>07.401</b>	

# Profile overview - seal system

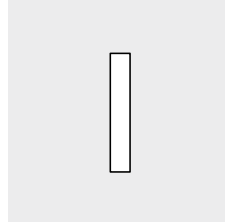
**Brush reception profile (self-adhesive)**



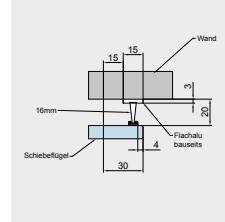
**Brush**



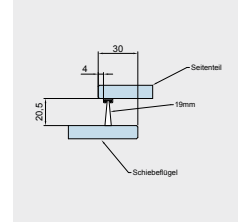
**Flat alu section (by others)**

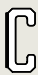
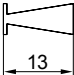
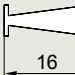
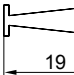
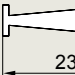
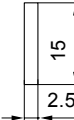


**Application example**

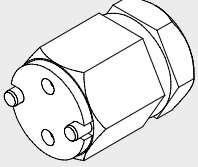
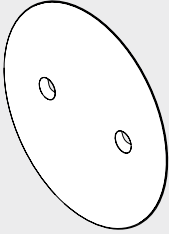


**Application example**



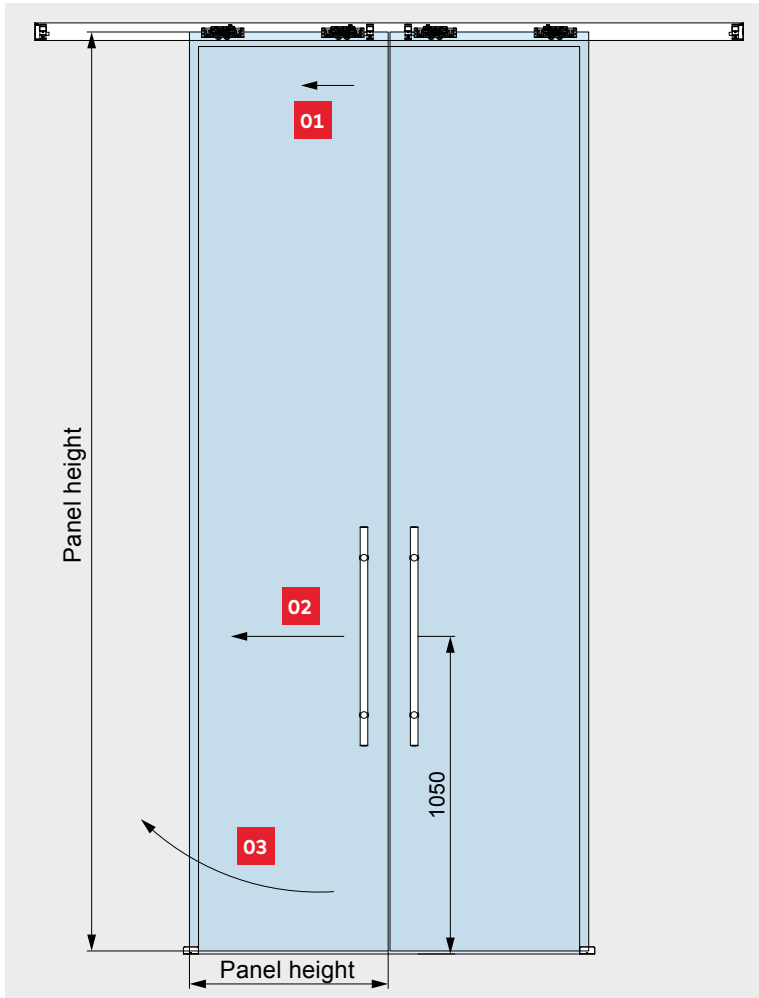
Application of profiles		+ 				+ 
<b>MUTO Comfort M 60</b>						
at wall	●	●				
at ceiling	●	●				
at ceiling with side light	●	●				
<b>MUTO Comfort L 80</b>						
at wall	●	●				●
at ceiling	●		●			
at ceiling with side light	●		●			
at glass	●		●			
<b>MUTO Premium XL 80/150 MUTO Premium Self-Closing 120</b>						
at wall	●		●			●
at ceiling	●			●		
at ceiling with side light	●			●		
at glass	●			●		
<b>MUTO Premium Telescopic 80</b>						
<b>at wall</b>						
glass thickness: 8–10 mm	2X	●			●	●
glass thickness: 10–12 mm	2X	●			●	●
glass thickness: 12–13.5 mm	2X	●		●		●
<b>at ceiling with side light</b>						
glass thickness: 8–10 mm	2X		●		●	
glass thickness: 10–12 mm	2X		●		●	
glass thickness: 12–13.5 mm	2X		●	●		
<b>at glass</b>						
glass thickness: 8–10 mm	2X		●		●	
glass thickness: 10–12 mm	2X		●		●	
glass thickness: 12–13.5 mm	2X		●	●		

# Accessories / Assembling aid

	Product description	Art. No.
	<b>Assembling tool for MANET single-point fixing</b>	<b>21.134</b>
	<b>Clip-on cover for single-point fixing with spring,</b> 5 pieces  material 1.4305 do.material 1.4404	<b>29.217</b> <b>29.219</b>

# Tips and tricks

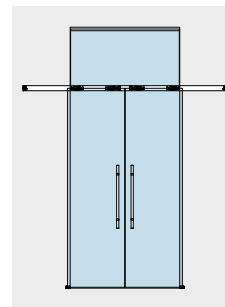
## Sliding panel with unfavourable aspect ratio



Excessively high sliding panels in relation to the panel width can lead to unpleasant handling and malfunction due to physical reasons (recommendation of the aspect ratio: between 1:2 and 1:3).

- 01** The door is to be moved by means of a handle.
- 02** Dormotion unit and synchro function brake the panel within the track additionally.
- 03** The door only moves down in the corresponding direction (door rotates)

This problem can be slightly improved by increasing the glass thickness and thus increasing the mass (weight) of the panel.



We recommend in such cases to use the application on glass and to use an overpanel. This reduces the door height and improves the aspect ratio.

**Note:** The use of clamp fittings on structured glass surfaces (with the exception of satinised glass) or glass with large variations in glass thickness is only permitted with the application of a levelling layer.

# Safety-related information

## Important safety-related information for the mounting and use of DORMA-Glas glass fittings.

(Follow these instructions in addition to the mounting and operating instructions in order to avoid damage of product and damage to person or property.)

**Important:** All users have to be informed about relevant points mentioned in these safety-related information and the mounting and operating instructions!

### General information

1. DORMA-Glas recommends the use of TSG-H (heat-stored tempered safety glass) according to DIN EN 12150-1.
2. DORMA-Glas glass fittings are not suitable for outdoor installation.
3. DORMA-Glas glass fittings are not suitable for rooms where chemicals (e.g. chlorine) are used, e.g. swimming pools, saunas and brine baths.



4. Sliding panels must not be moved faster than at walking speed and must be stopped by hand before reaching the end position will be.
5. Pivoting panels must not be thrown too hard. If there is a risk of over-turning, this must be prevented by a door stop.

### Mounting

1. Only properly qualified and specially trained staff is authorised to mount DORMA-Glas glass fittings.
2. Never use glass with conchoidal fractures and/or damaged edges.
3. Due to crushing hazards – among others in the area of the secondary closing edge – and possible injury caused by breakage of glass during mounting, corresponding protective clothing (especially gloves and protective goggles) is required.
4. Clean clamping area with fat solvent (standard commercial cleaning agent) before mounting the glass fitting.
5. Never use clamping shoes on structured glass surfaces (except on satined glass) or glass of heavily varying thickness unless with a corresponding levelling layer.
6. Never use clamping shoes on self-cleaning coatings.
7. When adjusting glass elements, always stick to the required clearance for the respective fitting. Adjust clearance so that the glass does not touch hard components such as glass, metal or concrete.
8. Make sure not to use excessive force when installing the glass (avoid local stress resulting from very tight screws).

### Maintenance

Check fittings at regular intervals for proper positioning and smooth running and door for correct adjustment. Especially highly-frequented door systems require inspection by properly qualified staff (specialised companies or installation firms). Immediately replace damaged glass elements (no glass flaking and/or conchoidal fractures)!

### General care instructions

The surface finishes of the fittings are not maintenance-free and should be cleaned according to their material and design.

- For metallic surfaces (anodised finishes, stainless steel) please use appropriate cleaning agents without abrasive additives only.
- For varnished surfaces please use appropriate solvent-free cleaning agents only.
- Brass surfaces (without surface protection) have to be treated with an appropriate maintenance agent on occasion, to avoid tarnishing.

**For practical planning, please use our drawings DORMA-Glas "The Detail".**

The printed colours indicating the surface finishes are not 100 % true, but do provide a useful guide. Statements made with regard to the nature or use of the products are for the purposes of descriptions. Assent with regard to the existence of particular properties or particular uses always requires special written agreement. Pictures may show special designs which are different to the standard scope of delivery.

Subject to change without notice.







# Moving Details.

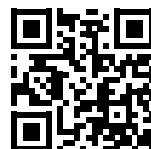


**DORMA-Glas GmbH**  
Max-Planck-Straße 33-45  
D - 32107 Bad Salzufen

T +49 5222 924-0

[glasbeschlag@dormakaba.com](mailto:glasbeschlag@dormakaba.com)  
[www.dorma-glas.com](http://www.dorma-glas.com)

 DORMA-Glas GmbH  
 DORMA-Glas GmbH



WN 05443651532, 04/22, EN  
Subject to change without notice