

# Saffire™ EVO VR-P

## Exit Device Compatible Wi-Fi Lock



### Applications

- Manage access rights to allow or revoke access for guests and staff in real-time, from anywhere
- Easily send digital keys or PIN codes to guests and staff from a mobile device
- Guests can use their mobile device, RFID credentials, or PIN to access their rental unit or common areas
- Provide convenient one-time or recurring access PINs to service and maintenance personnel
- Control when and where guests and staff can go throughout the building
- Quickly delete lost access media to keep the building secure
- Get real-time notifications including events and lock status

### Overview

Saffire EVO VR-P is an exit device compatible Wi-Fi lock that combines high-performance with aesthetics, seamlessly integrating with building technology providers and amenities for vacation and short-term rental properties. The Saffire EVO VR provides an easy-to-use, secure, and flexible solution offering increased convenience to homeowners, guests, staff, and property managers. The Saffire EVO VR offers the convenience of using secure and time sensitive PIN codes, mobile devices, or RFID credentials, eliminating the need to pick up or drop off keys.

### Security with IoT connectivity

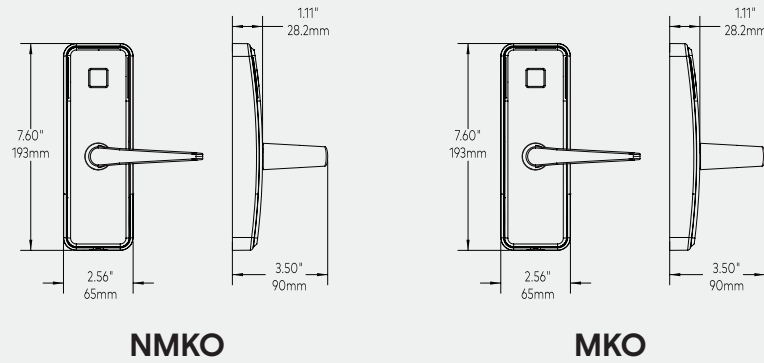
The Saffire EVO VR-P is equipped with Wi-Fi onboard, ensuring connectivity to the dormakaba cloud and seamless integration to our partner platforms for real-time events and user notifications. Online connectivity also provides continuous updates for built-in device security.

### Designed for our aggregator partners

The Saffire EVO product portfolio is specifically designed to be integrated with our dormakaba partner platforms to ensure a premium user experience for vacation and short-term rental guests. The dormakaba Saffire EVO cloud-connected smart locks allow easy access management of rental units, amenities, common areas and perimeters, all through a single integrated platform.

### Security features

- Online connectivity ensures continuous firmware updates for increased device security
- UL 10C 3-hour fire rating
- Non-volatile memory maintains lock programming and audit records
- Staff monitoring with RFID keycard audits
- Tamper-proof design
- No need to visit the lock to update access



## Mechanical Features

<b>Description</b>	Online connectivity ensures continuous updates for increased device security. Supports dormakaba RFID, Bluetooth®, and keypad credentials
<b>Handing</b>	Left or right factory-handed, (field-reversible)
<b>Levers</b>	Essen, Von and Long return
<b>Finishes**</b>	Satin chrome (626) with exterior ocean front finish
<b>Door Thickness</b>	Option 1: 1-3/4" - 2" (45mm to 51mm) Option 2: 2" - 2-1/4" (51mm to 57mm)
<b>Locking Options</b>	Designed for compatibility with a wide selection of exit devices (see price book for complete listing)
<b>Batteries</b>	3AA. Low-battery indicator to help with preventative maintenance. It is visible on the device and has an event notification in the system. Passive warning and notification.
<b>Concealed Key Override</b>	Optional MKO: Lori KIK core (keyed-alike, master key)
<b>Wi-Fi Online Control</b>	Wi-Fi 802.11 b/g/n WPA2, WPA AES 128 and TLS 1.2 >/-70dB signal strength at the lock

\*\* dormakaba utilizes PDV (physical vapor deposition) finishes in some instances

## Mobile Access

<b>BLE Enabled</b>	Bluetooth Low Energy 2.4 GHz version 4.2, iOS or Android mobile device support, AES 128 and DTLS security, supported through partner mobile app
--------------------	---

## Lock Operation

---

<b>No Touring</b>	New credentials applied to lock through Wi-Fi
<b>Electronic Access</b>	User defined: customizable access for residents, visitors and property managers available through partner application
<b>Date/time Stamp</b>	Real time: date and hours/minutes; automatically adjusts for daylight saving time
<b>Audit Trail</b>	Audit trail managed through Wi-Fi. 5,000 events
<b>Passage Mode</b>	Set by authorized key
<b>Lockout Mode</b>	Set by authorized key
<b>Toggle Mode</b>	Use of credential is needed to lock the door after exiting unit. This stops accidental resident lockouts and delivers full audit trail to ownership/management
<b>Credential Formats</b>	dormakaba ComID high-security credentials 13.56MHz MIFARE DESFire® EV2/EV3 ISO card or fob/mobile access credentials (BLE) / 6-digit PIN codes
<b>Feedback LED</b>	Light indicators
<b>Diagnostics</b>	Lock diagnostics through partner application
<b>Privacy Override</b>	Default emergency key only (user selectable)

## Certifications & Testing

---

<b>Certification</b>	ANSI/BHMA A156.25
<b>Fire Rating</b>	Meets UL 10C and ULC S-104, on fire door rated up to and including 3 hours
<b>Electronics</b>	Compliant with RED Directive 2014/53/EU for electromagnetic compatibility and FCC part 15 and RSS-247 Industry Canada requirements
<b>Environmental Operating Conditions</b>	-31°F to 158°F (-35°C to 70°C), 0% to 90% non-condensing humidity at 86°F (30°C) meets IP54

## Warranty

---

<b>Standard Warranty</b>	Two years
--------------------------	-----------

### Exit Device Operators

dormakaba offers a series of exit device hardware that is compatible with mechanical and electrical applications. This hardware is manufactured for the most demanding access/egress applications.



### Rim Exit Device

The Dorma 9300 series is a single-point rim latch with a modern touch bar design.

### Vertical Rod Exit Device

The Dorma 9400 series is a surface-mounted vertical rod exit device with a modern touch bar design.

---

<b>Hand</b>	Non-handed
<b>Stock</b>	36" door width (standard); 48" door width available at an upcharge
<b>Door types</b>	Wood, hollow metal, fiberglass, or aluminum
<b>Door requirements</b>	Fits standard 1 3/4" - 2 1/4" doors
<b>Mounting height</b>	40" above finished floor
<b>Stile width</b>	4 5/8" with standard 99 strike 4 1/8" with optional 98 strike
<b>Latch bolts</b>	Stainless steel dead-locking; Pullman-type top latch
<b>Finishes*</b>	605 bright brass; 606 satin brass; 611 bright bronze; 612 satin bronze; 613 oxidized satin; 619 satin nickel; 693 black; 625 bright chrome; 626 satin chrome; 629 bright stainless; 630 satin stainless

\*Check availability of finishes for devices and corresponding locks before ordering. Other powder-coated finish options available.

Other panic bar options available, for details, contact your dormakaba representative.

---

**Any questions? We would be happy to advise you.**

Contact us at: 1 888 217 5654