

dormakaba evolo Manager

Easy programming, adaptable to your needs



Advantages at a glance

Scalable programming

Manual, with additional software and programming device or wireless: your choice, according to your requirement

Efficient and user friendly

Wireless programming and automatic recognition of door components – for practical configuration and maintenance

Easy workflows

Clear menus and wizards help users to program media and door components

Overview and monitoring

Clear displays and analysis of door events - filter functions in the software help you to find specific events easily

Wireless function

The access solution with wireless offers convenient programming from your desk: the standalone components are remotely connected via radio to your access system

Adaptable System

dormakaba evolo Manager is a comprehensive access system and easy to manage. It has various programming tools so that access rights can be adapted quickly and easily. The various evolo standalone components can be programmed flexibly and in different ways, depending on the situation and requirement.

Manual programming

In smaller systems, access data can be programmed and deleted directly at the door. The programming medium (master card) can simply be held to the

standalone door component and programming can begin.

Software and programmer

If time profiles are needed or the number of users increase, the high-performance dormakaba evolo Manager (KEM) administration software with a programming device and a desktop reader are available. The KEM software manages the evolo door components and if needed, existing mechanical locking systems can be administered also at the same time.

The CardLink function

Using CardLink, area- and time-specific access data can be programmed directly onto the access medium. For this, you may choose programming via the wireless remote reader or with the desktop reader 91 08 which is connected to the PC. Lost media automatically expire.

Wireless function

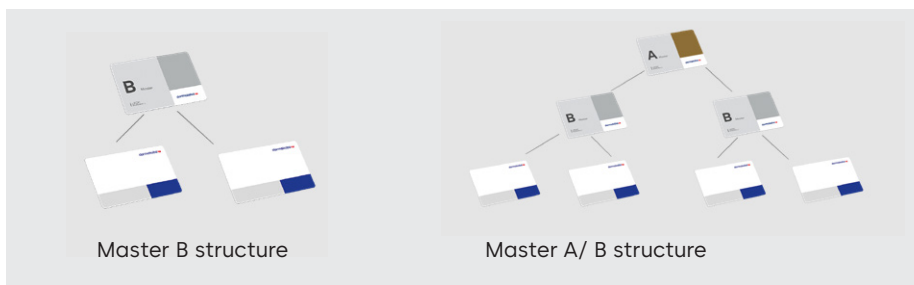
With the wireless function, a connection via radio over the wireless gateway 90 40 to the central access system can be established. Thus, programming can be effected immediately from the PC and offers great convenience.

Programming media and Programmer 1460

Programming media

Access rights are created and changed using the programming media. They are utilized solely for this purpose. The Master A media authorize the Master B media (A/B structure). Only user media with an A/B structure can be grouped together and only when programmed manually. The Master B media authorize the user media (B structure).

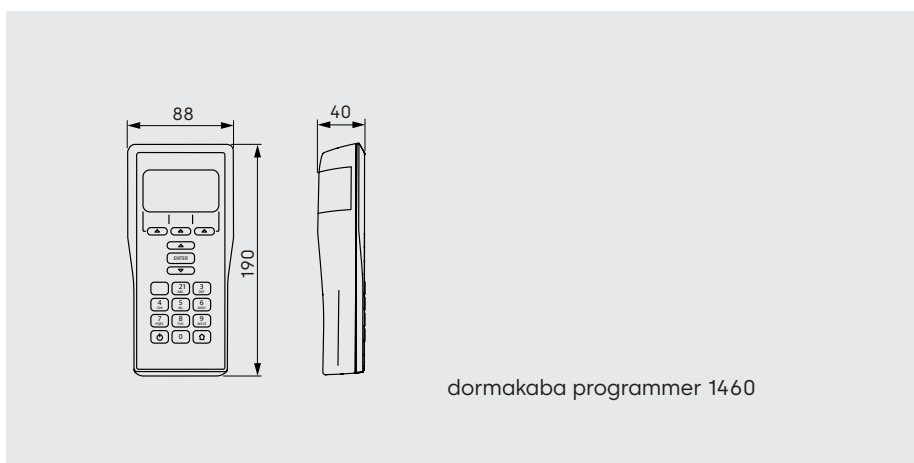
- **Programming master A:** Initialization and programming medium for programming the standalone door components. Utilized for A/B structures if users need to be arranged in groups for manual programming.
- **Programming master B:** Initialization and programming medium for programming the standalone door components. Used for B structures when programmed without groups or with software.
- **Programming master T:** Temporary programming master T is a special type of programming media for standalone door components. These media are only valid for a certain time period and have limited functionality. This allows a high degree of flexibility in the management of locking systems because service staff can be provided with a Master T medium rather than handing out a security-relevant Master B. The Master T is drawn from a programming master B and is used to update standalone door components.
- **Security cards:** Security cards define the system's unique security code for data exchange via the access medium.



dormakaba programmer 1460

This programming device communicates wirelessly with the door components. This allows data to be imported and exported. The programming unit and the dormakaba evolo Manager software are required for programming the system.

- Supported component types: LEGIC, MIFARE, MRD and TouchGo
- Number of key plans: 100
- Number of components 12
- Storage medium: SD, integrated
- Memory size utilized: 2 GB
- Connection to components: One-Wire RS232 (115 200 baud) and NFC



Technical data

- **Programming card versions**
- Programming Master A, MIFARE
- Programming Master B, MIFARE
- Programming Master T, MIFARE
- Programming Master A, LEGIC
- Programming Master B, LEGIC
- Programming Master T, LEGIC
- Security card C, MIFARE
- Security card C1 and C2, LEGIC
- Card size: 85 x 54 mm
- Protection class: IP67
- Temperature -25 °C to +70 °C
- Humidity 0 to 95% rH, non-condensing

dormakaba Programmer 1460

- Dimensions W x H x D: 88 x 190 x 40 mm
- Weight: 350 g
- Power supply: NiMH battery/
- Ext. USB power supply 5 V/ max. 350 mA
- Charger: 100–240 V AC, 50–60 Hz
- Interfaces: Wireless NFC communication with the door components/one-wire interface for Firmware updates/USB interface for connecting PCs (transfers from and to the software)
- Temperature 0 °C to +50 °C
- Protection class: IP40
- Humidity: 0 to 95 % rH, non-condensing
- Climate: not suitable for corrosive atmospheres (chlorine, ammonia)

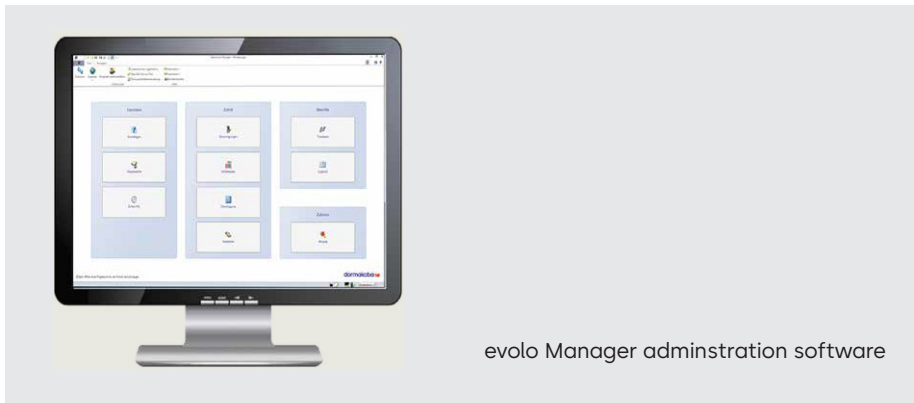
dormakaba evolo Manager and Desktop Reader 91 08

dormakaba evolo Manager

All users, media and door components can easily be managed using the network-enabled evolo Manager software. Consequently, the process for granting access authorizations is intuitive. The event memory can be extracted to obtain an overview of all access and system events. Also, time profiles can be set up and users programmed and administered. As a PC software, it is installed once on a computer and launched when required.

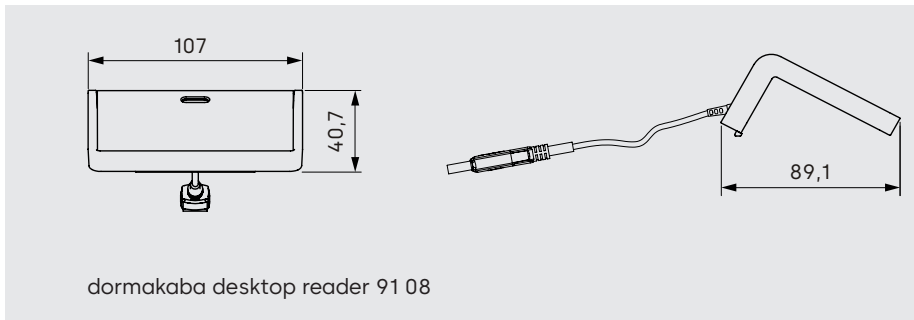
- **System requirements:**

Operating system (32/64Bit): Windows 10; Windows Server 2016; Windows Server 2019.



dormakaba desktop reader 91 08

Programming and user media can be imported and written using the desktop reader connected to evolo Manager by USB.



Technical data

dormakaba evolo Manager 1378

- Versions:
 - 221: 200 objects
 - 222: unlimited
- Processor: 1,4GHz or higher (2.4 GHz recommended)
- Working memory: 1 GB (2 GB recommended)
- Hard disk: min. 6 GB free memory, including all additional components supplied (Microsoft.Net Framework 4.8, Microsoft SQL Server 2019 Express Microsoft System CLR Types for SQL Server 2016, Microsoft SQL Server 2016 Management Objects, Crystal Reports Basic for Visual Studio 2010, Kaba EAC Service Tool, Windows Installer 4.5). The additional components are part of the installation and are installed if not present.
- Screen resolution: min. 1024 x 768 (1920 x 1200 recommended)
- Interfaces: 2 x USB

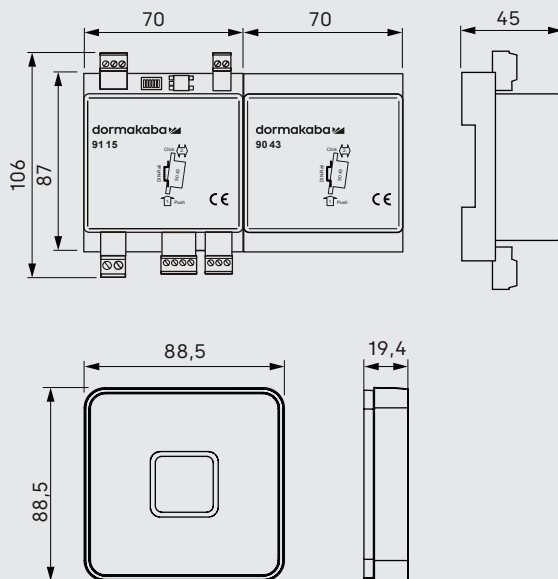
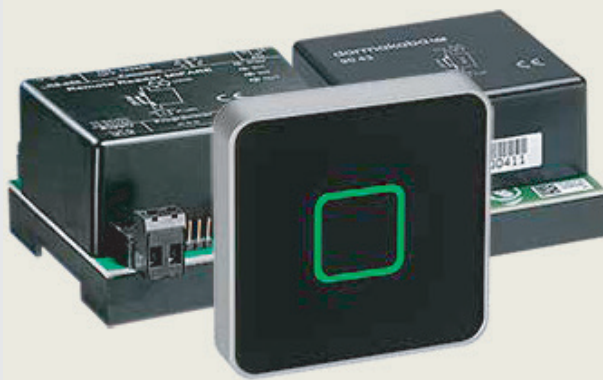
dormakaba desktop reader 91 08

- dormakaba desktop reader 91 08, MRD
- Dimensions W x H x D: 107 x 45 x 90 mm
- Housing material: Black plastic with silver trim
- protection class: IP20
- Power supply: Ext. USB power supply 5 V/max. 500 mA
- Interfaces: USB V2.0 low speed
- Temperature: 0 °C to + 40 °C
- Humidity: 0 to 95% rH, non-condensing
- Climate: not suitable for corrosive atmospheres (chlorine, ammonia)

Performance characteristics, Wireless update reader

Wireless update reader

New access rights can be programmed at the PC with the dormakaba evolo Manager administration software and are transmitted to the wireless update reader. The relevant user can pick up his/her new badge authorizations at any time (e.g. at the entrance). New access rights can therefore be granted quickly and efficiently as the doors concerned do not need to be reprogrammed.



Technical data

Remote reader 91 15

Supported RFID technologies:

- LEGIC (advant & prime)
- MIFARE (DESFire & Classic)

Design / dimensions:

- 70 x 106 x 45 mm (B x H x T)
- Color: black
- housing: für DIN rails power supply 100–240 V AC 50–60 Hz (max. 200 mA)

Interfaces:

- coaxial connection for registration units
- RS 485: Connection to host; electrically isolated
- 2 binary inputs: max. 5 V DC
- 1 relay output:
 - max. 34 V DC/60 W,
 - max. 27 V AC/60 V AC

Power supply:

- 12 27V AC, 50/60 Hz or 10 34V DC
- power consumption: typ. 3 W, max. 4,5 W
- without power supply, the clock runs for max. 120 hours

Environmental conditions:

- Temperature: 0 °C to + 50 ° C
- Protection class: IP20
- Humidity: 5 to 85 %, non-condensing

Certificates / standards:

- EN 301 489-1, EN 301 489-3,
- EN 300 330-1, EN 300 330-2
- R&TTE 1999/5/EG

Extension module 90 43

Designs / Material / Dimensions:

- Black ABS case
- 70 x 87 x 45 mm (W x H x D)

Radio interface:

- Technology IEEE 802.15.4
- Frequency band 2400 to 2485.5 MHz (16 channels))

Environmental conditions:

- Operating temperature: 0 °C to + 50 °C
- Humidity: 5 – 85 %, noncondensing
- Class of protection as per BS EN 60529: IP 20

Certificates / standards:

- EN 300 328, EN 301 489-1
- EN 62368-1
- 2014/53/EG, 2014/35/EG and 2011/65/EG

Any questions? We would be happy to advise you.

dormakaba Australia | info.au@dormakaba.com | T 1800 675 411 | www.dormakaba.com.au
dormakaba New Zealand | info.nz@dormakaba.com | T 0800 436 762 | www.dormakaba.co.nz

Subject to technical alterations. EAD00027