

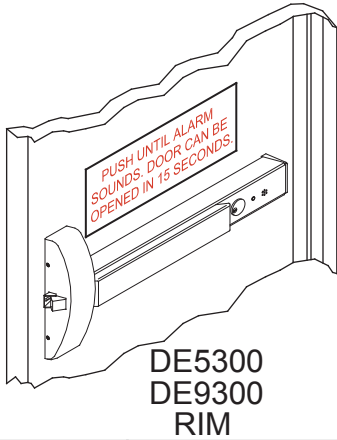
# INSTALLATION INSTRUCTIONS

## DE5000 & DE9000 SERIES

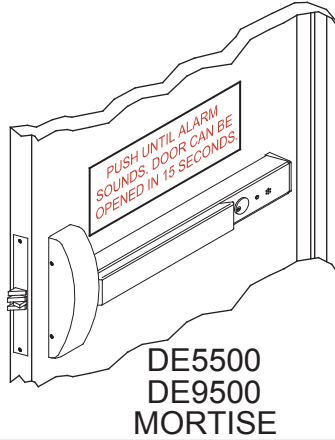
### DELAYED EGRESS EXIT DEVICE



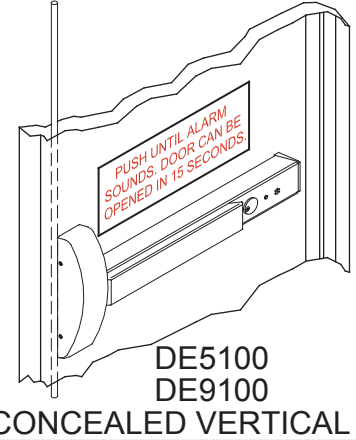
Note: Refer to Individual Series Installation Instructions for templating and installation of device; @ [www.dorma-usa.com](http://www.dorma-usa.com)  
 These are additional instructions for installation and operation of the "Delayed Egress" unit.



DE5300  
DE9300  
RIM



DE5500  
DE9500  
MORTISE



DE5100  
DE9100  
CONCEALED VERTICAL ROD

#### Specifications

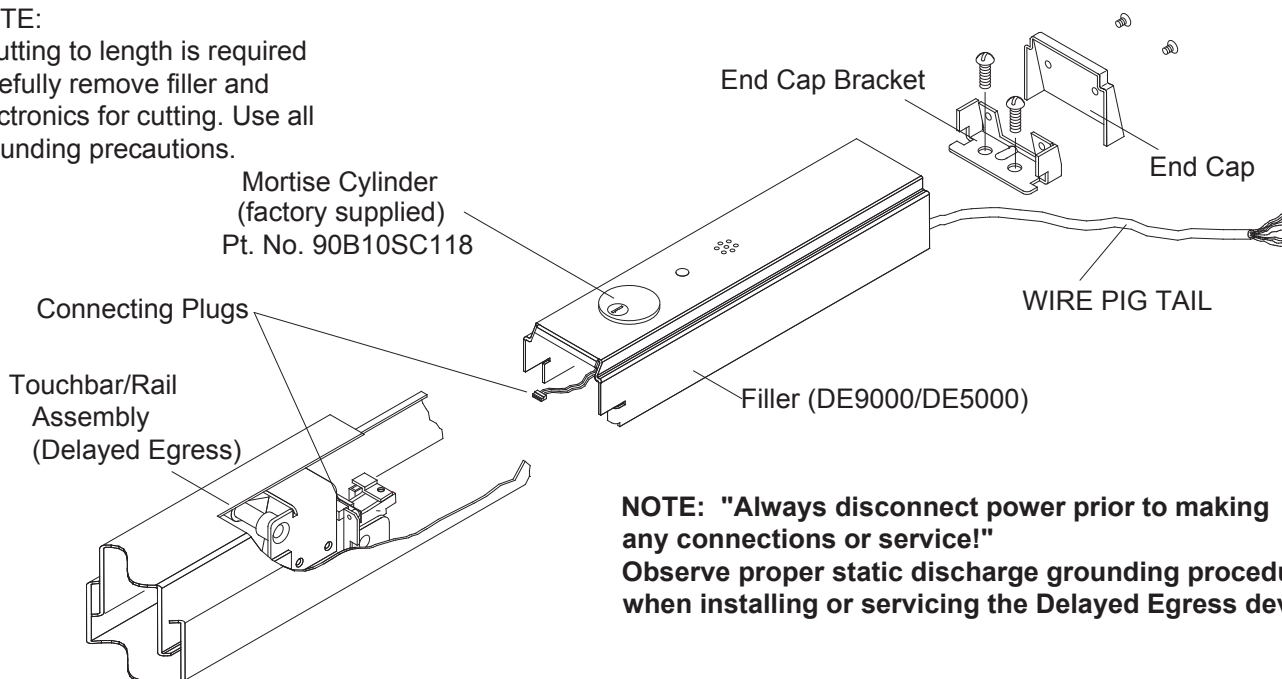
- 85 Decibel Alarm - Standard
- LED Status Indicator - Standard
- Nuisance Alarm - Standard
- Key Switch Control - Standard
- Remote Authorized Egress - Standard
- Remote Re-Arm - Standard
- Remote Bypass - Standard
- Door Position Input - Standard, DIP Switch Setting
- Auto Reset or Manual Reset, DIP Switch Setting
- Auto - Standard (Manual - in CA)
- Additional Form "C" Relays For Optional Horn etc.  
(Rated 1 amp @ 30 vdc)

#### REQUIRES DORMA ES-100 or AD100 POWER SUPPLY.

- Easily accessible slide in and out electronics.
- Meets UL, ANSI/BHMA & CBC requirements.
- SIZE A: (DE9000 Series)  
Will fit 48" (1219 mm) door opening without cutting.  
Can be cut to fit a 40 1/2" (1029 mm) minimum door opening.
- SIZE B: (DE9000 Series)  
Will fit 36" (914 mm) door opening without cutting.  
Can be cut to fit a 34 1/2" (876 mm) minimum door opening.
- SIZE AA: (DE5000 Series w/ #443 strike)  
Will fit 48" (1219 mm) door opening without cutting.  
Can be cut to fit a 38 3/4" (984 mm) minimum door opening.
- SIZE BB: (DE5000 Series w/ #443 strike)  
Will fit 36" (914 mm) door opening without cutting.  
Can be cut to fit a 31 3/4" (806 mm) minimum door opening.

#### Assembly

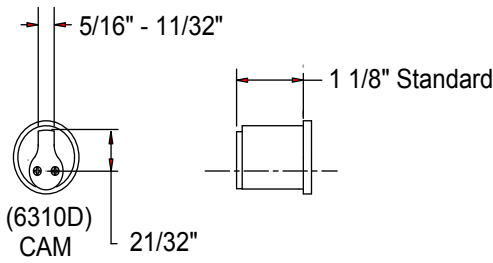
**NOTE:**  
 If cutting to length is required carefully remove filler and electronics for cutting. Use all grounding precautions.



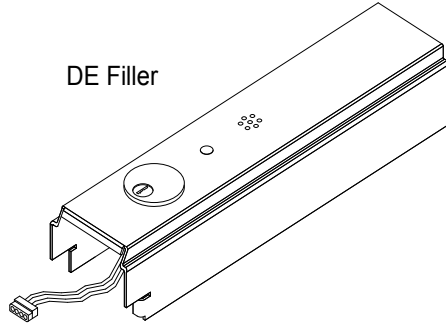
**NOTE: "Always disconnect power prior to making any connections or service!"**  
**Observe proper static discharge grounding procedures when installing or servicing the Delayed Egress device.**

## Cylinder Specification

Standard 1 1/8" mortise cylinder, randomly keyed supplied by factory. Spacer required for longer cylinder such as when using an IC core.



DE Filler



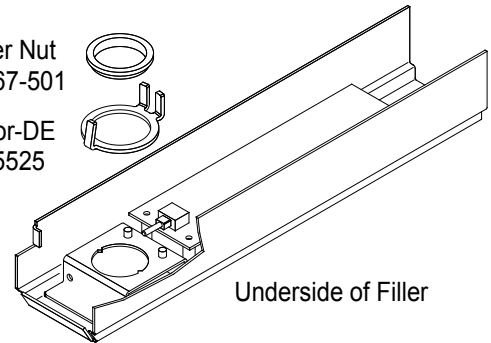
**To Change Cylinder:** Carefully remove filler from rail. Unscrew cylinder nut, remove actuator and replace cylinder. Spacer required for cylinders over 1 1/8". Insert cylinder as shown, re-install actuator & secure with cylinder nut. Do not over tighten. Re-install filler in rail and reconnect the small pigtail connectors. Use caution not to pinch or bind wires.

**Note:** If DIP switch settings required to be changed, do it now prior to re-installing filler in rail. (See Section below.)

Cylinder Nut  
4000-167-501

Actuator-DE  
95055525

Cylinder  
90B10SC118



Underside of Filler

## DIP Switch Setting

DIP switch settings should be completed at time of initial installation; check local building code. Factory settings are as follows:

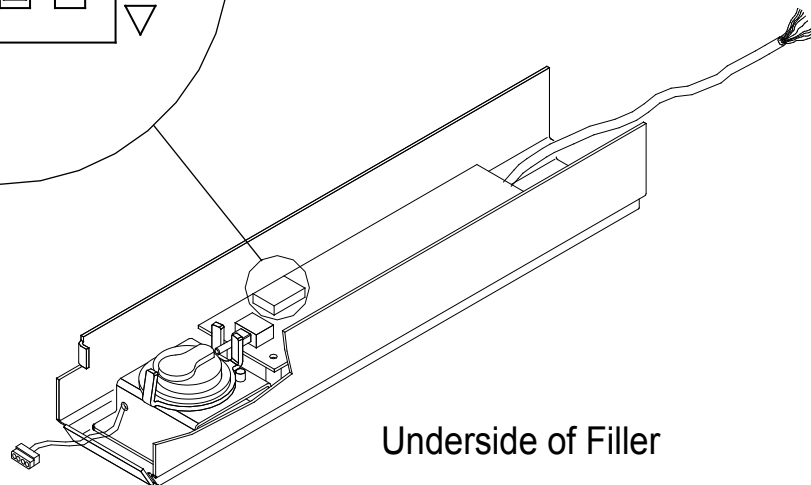
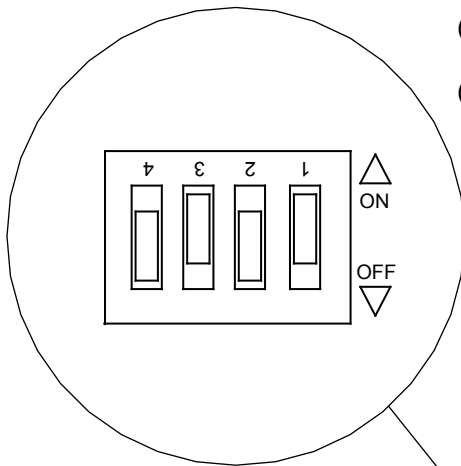
- 1 - ON - NOT ACTIVE
- 2 - OFF - LOCKED
- 3 - ON - 3 SECONDS
- 4 - OFF - 10 SECONDS

(1) DPS: (OFF) ACTIVE (ON) NOT ACTIVE

(2) POWER UP STATE: (OFF) LOCKED (ON) UN-LOCKED

(3) NUISANCE TIME: (OFF) 1 SEC. (ON) 3 SEC.

(4) AUTHORIZED EGRESS TIME: (OFF) 10 SEC. (ON) 20 SEC.



Underside of Filler

## Basic wire connection

Specific project or custom wiring diagrams available on request, consult the **DORMA** technical service department.

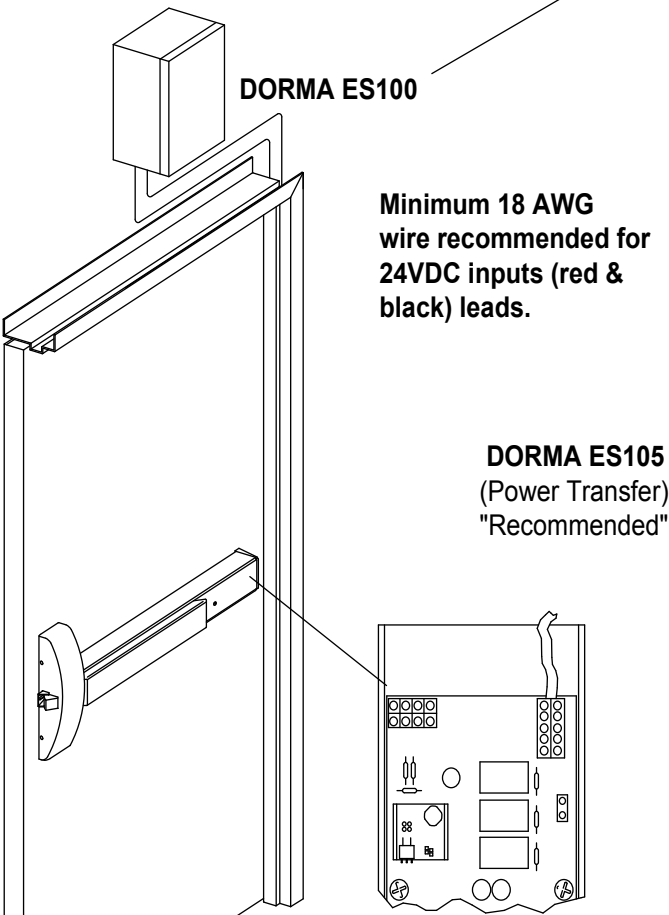
**NOTE: Always disconnect power prior to making any connections or service.**

It is recommended that the 120VAC power be supplied from an Uninterrupted Power Supply (UPS) to ensure proper operation during a power failure.

Always observe proper static discharge grounding procedure's when installing or servicing the DE device.

Wires that interconnect the remote authorized egress and remote by-pass/rearm must be located within the same room as the panic hardware (DE), or outside the door at no more than 10' feet of distance.

**For ULC installations:** Some "Authorities Having Jurisdiction" also require an illumination level of 100' feet at the door, to be provided by the emergency power supply system.



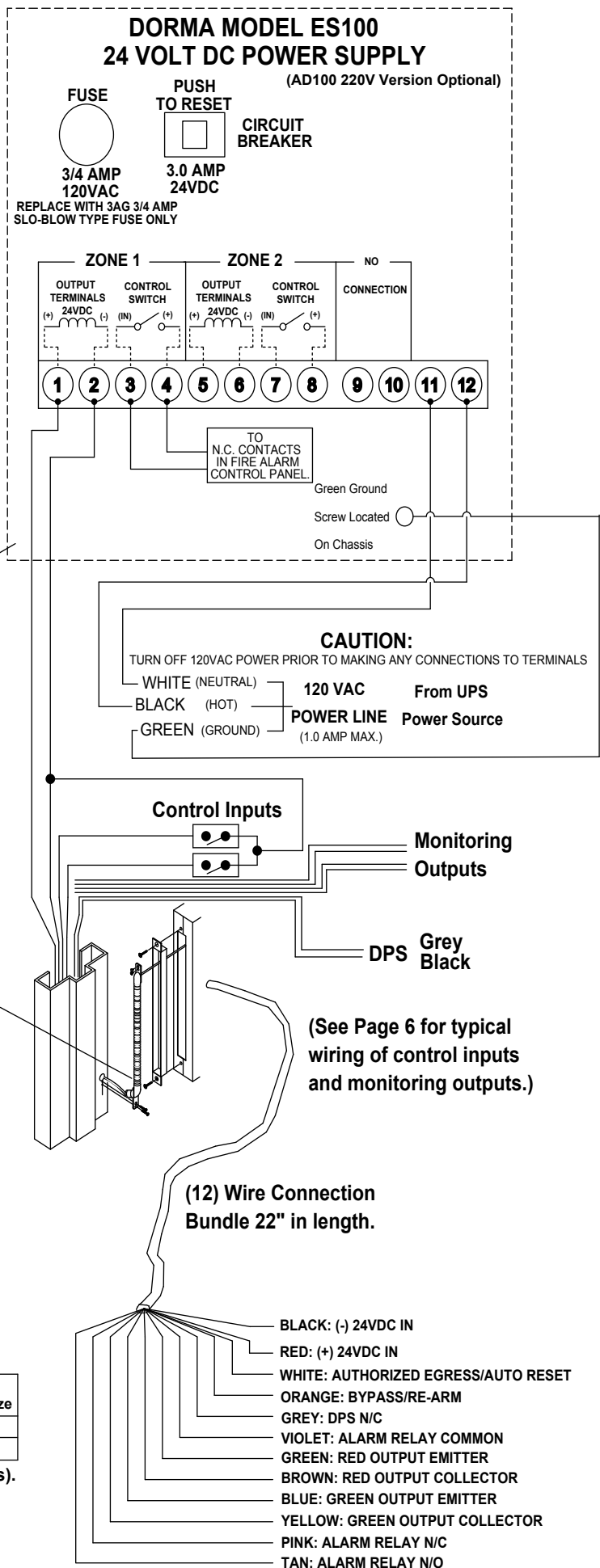
**DORMA ES100**

**Minimum 18 AWG wire recommended for 24VDC inputs (red & black) leads.**

**DORMA ES105 (Power Transfer) "Recommended"**

Maximum Wire Length From Power Supply To Device & Back To Supply In Feet x Wire Gage/Size				
WIRE	18AWG	16AWG	14AWG	12AWG
FEET	25	50	75	100

\* For 24VDC inputs only (red & black wires).  
Note: Wire run is from supply to device and back to the supply.



## Key switch operation for device.

**Delayed Egress Mode:** Unit is armed and touch bar will not activate the latchbolt. (**LED is solid green, audible alarm is off**). Initiated after power up, (DIP switch #2 in OFF position) authorized egress mode or re-arm mode.

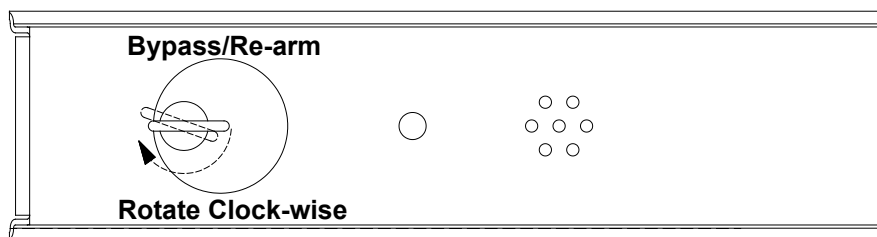
**Nuisance Alarm Mode:** Unit is armed and touch bar will not activate the latch bolt. (**LED is solid green, audible alarm sounds a short tone**) DIP switch selectable for 1 or 3 seconds. (See page 2) Initiated by depressing touch bar.

**Delay Mode:** Unit is armed and touch bar will not activate the latch bolt. (**LED is solid yellow, audible alarm sounds intermittent tone**). Unit remains in the delay mode for 15 seconds ( including nuisance time). Initiated by holding the touch bar depressed past the nuisance alarm time (30 second delay mode option available.) Once started, the delay mode is irreversible and automatically initiates the alarm mode.

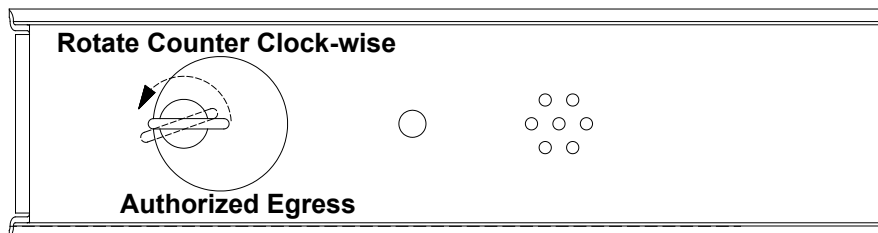
**Alarm Mode:** Unit is disarmed and touch bar will activate the latch bolt (**LED is solid red, audible alarm sounds continuous tone**). Initiated automatically from the delay mode and is irreversible. Unit remains in the alarm mode until manually reset with key.

**By-Pass Mode:** From the delayed egress mode; unit is continuously disarmed and touch bar will activate the latch bolt (**LED slowly flashes green, audible alarm is off**). **Initiated by rotating the key clockwise until switch activates (approximately 180 degrees)**. DPS input is disabled.

**Re-arm Mode:** From alarm mode; unit goes to the delayed egress mode. Initiated by rotating the key clockwise until switch activates (approximately 180 degrees). From the bypass mode; unit goes to the delayed egress mode. Initiated by rotating the key clockwise until the switch activates (approximately 180 degrees.) **The LED will return to solid green.**



**Authorized Egress Mode:** Unit is disarmed for 10 or 20 seconds (DIP switch selectable) and touch bar will activate the latch bolt (**LED quickly flashes green, audible alarm is off**). After the authorized egress time unit returns to the delayed egress mode automatically. **The authorized egress mode is initiated by rotating the key counter-clockwise until switch activates (approximately 180 degrees)**. DPS input will not initiate during the 10 or 20 second egress time, but will terminate the egress time if the DPS closes before the end of the egress time. DPS input will initiate an alarm after the 10 or 20 second egress time, if the DPS is opened.



**NOTE:** The **By-pass mode** and **Re-arm mode** (orange wire) may be initiated externally from the terminal connector. (Normally open dry contact to ground.) The **Authorized Egress mode** (white wire) may be initiated externally from the terminal connector (Normally open dry contact to ground). See page 6 for additional details.

## Cover, end cap and label

After all wire connections are made and device checked for operation, install the chassis cover, end cap and label as shown below.

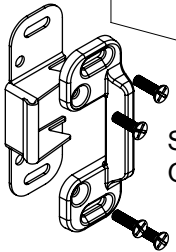
**NOTE:** Compliance with the California Building Code (CBC) requires different label than supplied. The CBC label is shown below. If required, order through Service Parts, model number CBCLBL. Consult with local code & "authority's having jurisdiction". See CBC Section 1003.1.10 Paragraph 6.

**KEEP PUSHING. THIS DOOR WILL OPEN IN 15 SECONDS. ALARM WILL SOUND.**

**NOTE:** To enable the device to power up in the unarmed mode, set Dip switch #2 in the "ON" position. A green blinking light will appear. Device will required to be manually armed with a key at the device or from the remote console. (See page 4 under rearm mode, for key operation.)

LED light codes:  
Solid Green - Delayed Egress Mode  
Slow Flashing Green - Bypass Mode  
Fast Flashing Green - Authorized Egress Mode  
Solid Yellow - Delay Mode  
Solid Red - Alarm Mode

Latch guard



Strike & Latch Guard Installation.

#463 strike

For added security a latch guard is supplied with the delayed egress device. Install along with the standard #463 strike as shown. Correct reference dimension of 2 3/8" from edge of stop or mullion must be maintained.

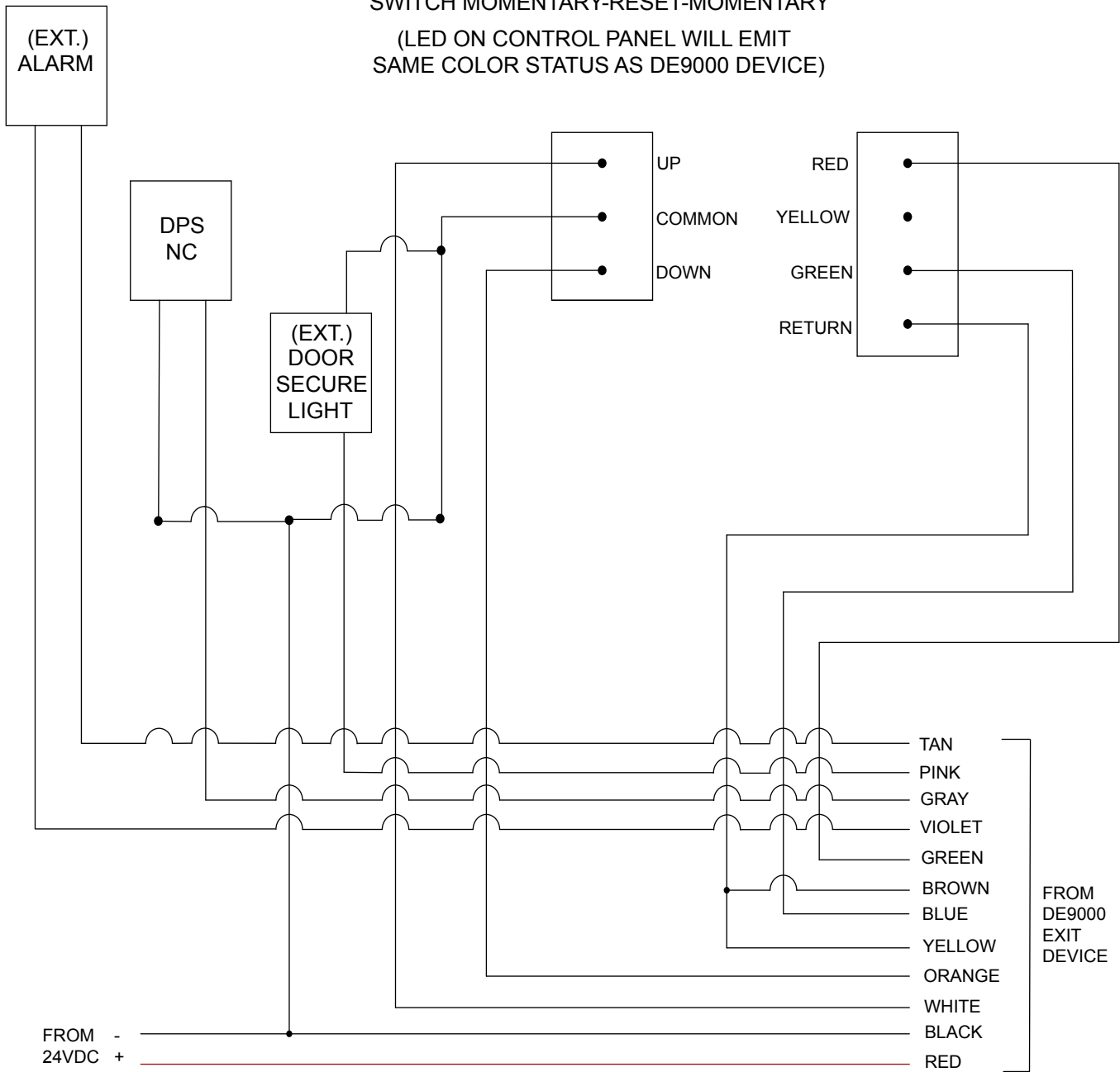
It is recommended that the following routine maintenance checks be performed at intervals of not less than once a month, and as a requirement by the local authority having jurisdiction, by the occupant or his approved representative:

- Inspect and operate the panic device to ensure that all components are in satisfactory working condition.
- Ensure that all strikes are free from obstruction.
- Ensure that the fire alarm system and electronic function of device are in working order.

This product meets or exceeds the following standards:  
ANSI/BHMA 156.3, CBC Section 1003.1.10, California State Fire Marshal,  
NFPA 80 & 101 and UL Listed FWAX, FWAX7

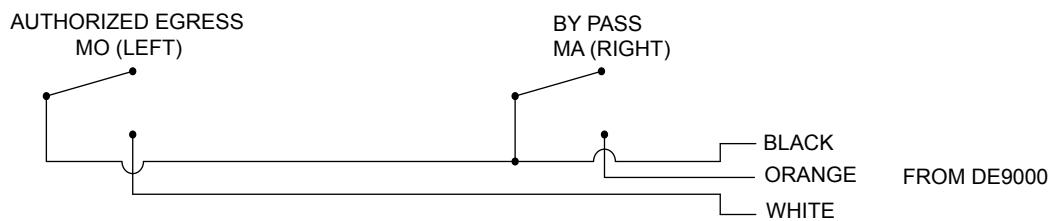
Typical Diagram

REMOTE CONTROL & MONITORING INPUT  
 DORMA CC-400-D CONTROL CONSOLE  
 SWITCH MOMENTARY-RESET-MOMENTARY  
 (LED ON CONTROL PANEL WILL EMIT  
 SAME COLOR STATUS AS DE9000 DEVICE)



Typical Diagram

REMOTE CONTROL INPUT  
 DORMA K708 KEYSWITCH



**SINGLE DOOR: DE9300 DELAYED EGRESS EXIT DEVICE w/ ELECTRIC TRIM (FAIL SECURE) x ES100 POWER SUPPLY x B400-RMB REMOTE BUZZER x AC-217, AC-225 KEYPADS x MC-4 DOOR POSITION SWITCH x CC400 DESK TOP CONTROL CONSOLE**



**OPERATION:**

**Armed-Delay Egress Mode:** Release of latch bolt via the DE9000 touchbar is prevented. If touchbar is depressed longer than the Nuisance Delay Time (1 or 3 seconds, jumper selectable), an irreversible Audible Alarm Sequence is initiated at the DE9000 and B400-RMB Remote Buzzer. After the Delay Time (15 or 30 seconds), the touchbar is enabled to retract the latch bolt. The audible alarm will sound continuously until door is closed (monitored by the MC-4 Door Position Switch) and Delayed Egress is re-armed locally with touchbar key switch or from remote CC400 Desk Top Control Console (See DE9300 Installation Instructions for additional operational information).

**Authorized Egress:** When the touchbar keyswitch is rotated counter-clockwise or when valid key code is entered on Interior AC-217 Keypad, the DE9300 is disarmed for 10 or 20 seconds (jumper selectable) and the touchbar is enabled to retract the latch bolt without initiating the Audible Alarm Sequence. If door is held open longer than 10 or 20 seconds the MC-4 Door Position Switch will activate the Audible Alarm of the DE9300 device and B400-RMB Remote Buzzer.

**Authorized Entrance:** When a valid key code is entered on Exterior AC-225 Keypad, the DE9300 is disarmed for 10 or 20 seconds (jumper selectable) and the Exterior YR09LFSC Electric Trim is unlocked and is able to retract the latch bolt without initiating Audible Alarm Sequence. If the door is held open longer than 10 or 20 seconds the MC-4 Door Position Switch will activate Audible Alarm of the DE9300 and B400-RMB Remote Buzzer.

Authorized Egress/Entrance may be controlled by the remote CC400 DTC Desk Top Control Panel.

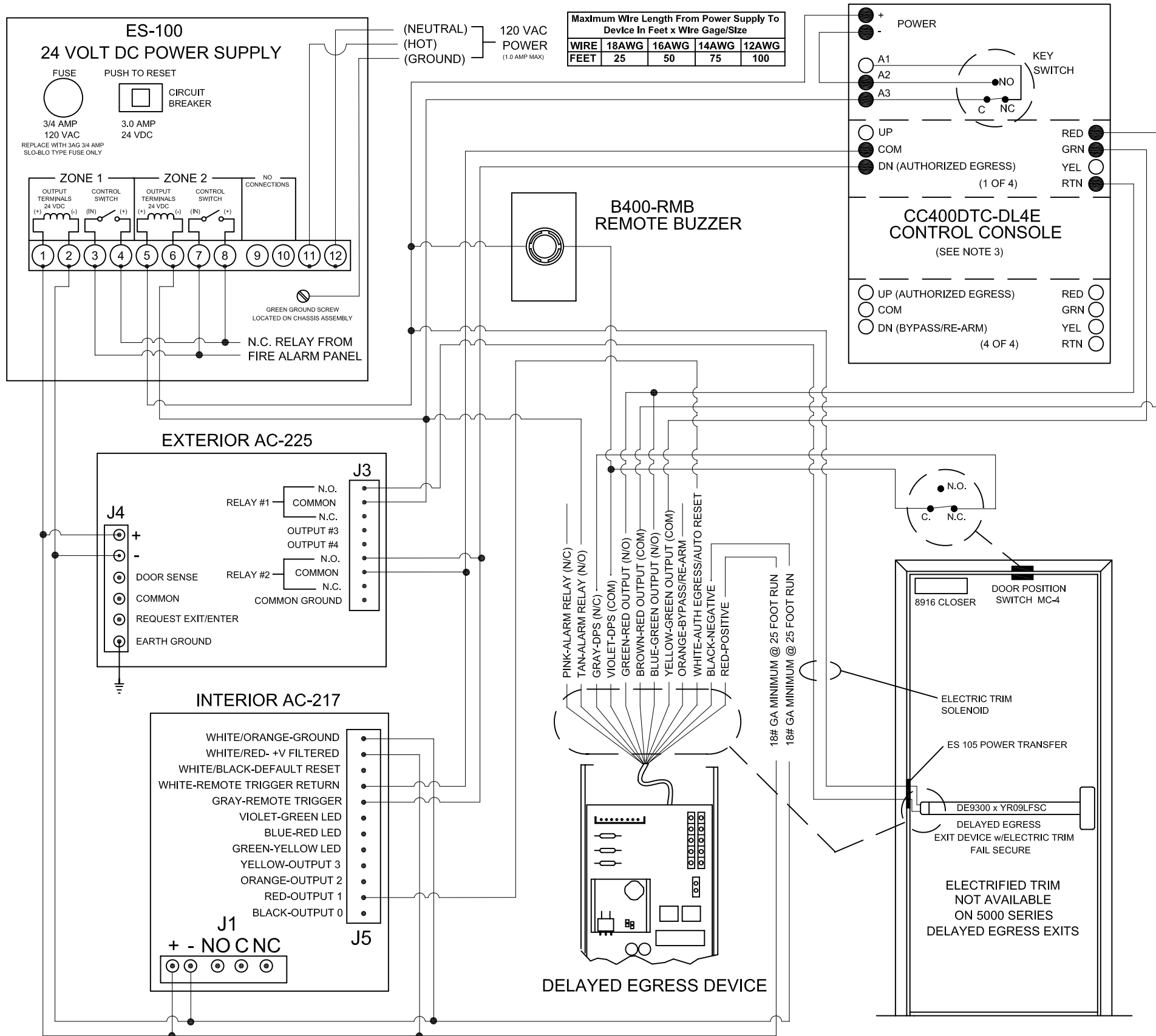
Emergency Entrance is possible with Exterior YR09LFSC Electrified Trim by key over ride however, MC-4 Door Position Switch will initiate Audible Alarm when door is opened.

- NOTES:**
- 1) Exterior AC-225 Relay #1 and #2 Delay Time must be set to allow sufficient time to manually operate unlocked Exterior YR09LFSC Electric Trim and open door. Interior AC-217 Keypad Output #1 should be set for 1 second which initiates the DE9300 Authorized Egress cycle. (See AC-217 and AC-225 Instructions for additional information).
  - 2) ES100 Power Supply must be controlled by UL Listed Fire Alarm Panel. During Fire Alarm power is disrupted to DE9000 allowing immediate egress through door.
  - 3) CC400 DTC Desk Top Control Panel provides remote monitoring/control functions. Visual contact of the door opening is recommended and may be required for security.
  - 4) Door is closed automatically by the 8900-series surface mount door closer.

**PARTS LIST:**

- 1 EA. - ES100 Power Supply, 24VDC, 6AMP Surge (.5 sec), 1.3AMP Continuous (DORMA)
- 1 EA. - DE9300 x YR09LFSC Delayed Egress Exit Device, w/Fail Secure Electric Trim, Exit: 24VDC, 5AMP Surge, .5AMP Continuous; Electric Trim: 24VDC, .140AMP (DORMA)
- 1 EA. - AC-217LPS Keypad, Input: 12-24VDC, 20 ma at rest, 150 ma max.; Main Relay Output: SPST 30VDC, 5AMP, Aux Relay Output: SPDT 30VDC, 1AMP (DORMA)
- 1 EA. - AC-225 Keypad, Input: 12-24VDC, 10 ma at rest, 150 ma max.; Relay #1 Output: SPDT 24VDC, 5 AMP, Relay #2 Output: SPDT 24VDC, 1 AMP (DORMA)
- 1 EA. - MC-4 Door Position Switch, SPDT 30VDC, .25AMP (DORMA)
- 1 EA. - B400-RMB Remote Buzzer 24VDC (DORMA)
- 1 EA. - CC400 DTC-DL4E-F Desk Top Control Console, 4 MO/NONE/MO Switches w/Tri-color LEDs, Audible Shunt Push Button, Key Lock Power Switch (DORMA)
- 1 EA. - ES105 Power Transfer Conduit (DORMA)
- 1 EA. - 8916 Series Surface Door Closer (DORMA)

NOTE: This wiring diagram is provided to assist in interfacing DORMA Architectural Hardware products into a system as described by the customer. Compatibility of components not supplied by DORMA Architectural Hardware are not guaranteed. However, every effort has been made to provide the system function requested. Component failure resulting from improper wiring is not covered by warranty. Refer to individual device product information sheets and installation instructions for wire gauge sizes and additional information.



**SINGLE DOOR: DE9300 DELAYED EGRESS EXIT DEVICE w/ PASSAGE TRIM x ES100 POWER SUPPLY x B400-RMB REMOTE BUZZER x AC-217 KEYPAD x MC-4 DOOR POSITION SWITCH**



**OPERATION:**

**Armed-Delay Egress Mode:** Release of latch bolt via the DE9000 touchbar is prevented. If touchbar is depressed longer than the Nuisance Delay Time (1 or 3 seconds, jumper selectable), an irreversible Audible Alarm Sequence is initiated at the DE9000 and B400-RMB Remote Buzzer. After the Delay Time (15 or 30 seconds), the touchbar is enabled to retract the latch bolt. The audible alarm will sound continuously until door is closed (monitored by the MC-4 Door Position Switch) and Delayed Egress is re-armed locally with touchbar key switch. (See DE9300 Installation Instructions for additional operational information).

**Authorized Egress:** When the touchbar keyswitch is rotated counter-clockwise or when valid key code is entered on Interior AC-217 Keypad, the DE9300 is disarmed for 10 or 20 seconds (jumper selectable) and the touchbar is enabled to retract the latch bolt without initiating the Audible Alarm Sequence. If door is held open longer than 10 or 20 seconds the MC-4 Door Position Switch will activate the Audible Alarm of the DE9300 device and B400-RMB Remote Buzzer.

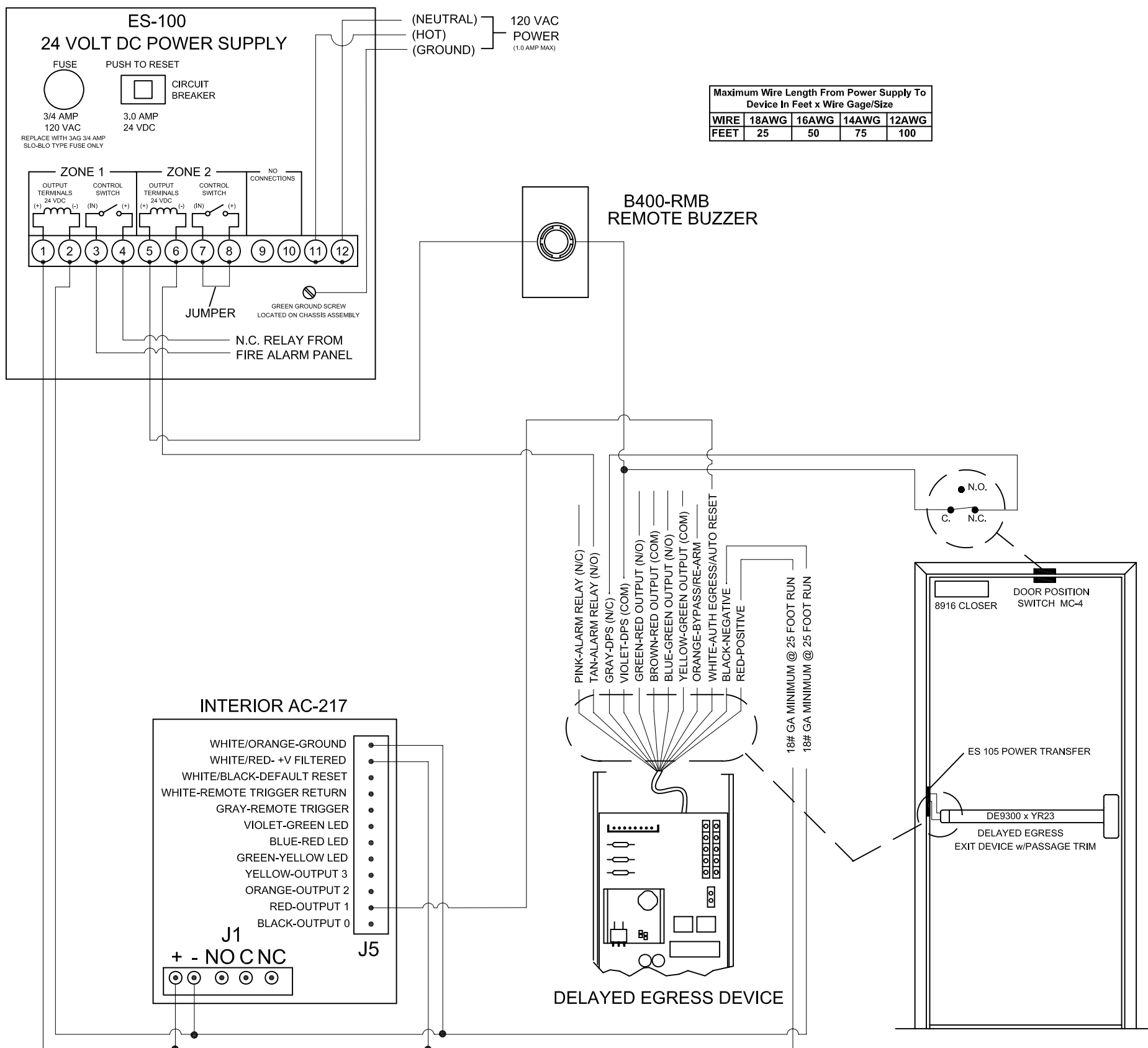
**Entrance:** Turning lever of Exterior YR23 PassageTrim retracts the DE9000 latch bolt without initiating Audible Alarm Sequence however, the MC-4 Door Position Switch will activate Audible Alarm of the DE9300 and B400-RMB Remote Buzzer when door is opened.

- NOTE:**
- 1) Interior AC-217 Keypad Output #1 should be set for 1 second which initiates the DE9300 Authorized Egress cycle. (See AC-217 Instructions for additional information).
  - 2) ES100 Power Supply must be controlled by UL Listed Fire Alarm Panel. During Fire Alarm power is disrupted to DE9000 allowing immediate egress through door.
  - 3) Door is closed automatically by the 8900-series surface mount door closer.

**PARTS LIST:**

- 1 EA. - ES100 Power Supply, 24VDC, 6AMP Surge (.5 sec), 1.3AMP Continuous (DORMA)
- 1 EA. - DE9300 x YR23 Delayed Egress Exit Device, w/ Passage Trim, 24VDC, 5AMP Surge, .5AMP Continuous (DORMA)
- 1 EA. - AC-217LPS Keypad, Input: 12-24VDC, 20 ma at rest, 150 ma max.; Main Relay Output: SPST 30VDC, 5AMP, Aux Relay Output: SPDT 30VDC, 1AMP (DORMA)
- 1 EA. - MC-4 Door Position Switch, SPDT 30VDC, .25AMP (DORMA)
- 1 EA. - B400-RMB Remote Buzzer 24VDC (DORMA)
- 1 EA. - ES105 Power Transfer Conduit (DORMA)
- 1 EA. - 8916 Series Surface Door Closer (DORMA)

NOTE: This wiring diagram is provided to assist in interfacing DORMA Architectural Hardware products into a system as described by the customer. Compatibility of components not supplied by DORMA Architectural Hardware are not guaranteed. However, every effort has been made to provide the system function requested. Component failure resulting from improper wiring is not covered by warranty. Refer to individual device product information sheets and installation instructions for wire gauge sizes and additional information.



DORMA Architectural Hardware  
 REAMSTOWN, PENNSYLVANIA 17567  
 DIAGRAM No. EAC-WD47



**SINGLE DOOR: DE9300 DELAYED EGRESS EXIT DEVICE w/ ELECTRIC TRIM (FAIL SECURE) x ES100 POWER SUPPLY x B400-RMB REMOTE BUZZER x (2) CARD READERS x MC-4 DOOR POSITION SWITCH**



**OPERATION:**

**Armed-Delay Egress Mode:** Release of latch bolt via the DE9000 touchbar is prevented. If touchbar is depressed longer than the Nuisance Delay Time (1 or 3 seconds, jumper selectable), an irreversible Audible Alarm Sequence is initiated at the DE9000 and B400-RMB Remote Buzzer. After the Delay Time (15 or 30 seconds), the touchbar is enabled to retract the latch bolt. The audible alarm will sound continuously until door is closed (monitored by the MC-4 Door Position Switch) and Delayed Egress is re-armed locally with touchbar key switch. (See DE9300 Installation Instructions for additional operational information).

**Authorized Egress:** When the touchbar keyswitch is rotated counter-clockwise or when valid card is presented at Interior Card Reader, the DE9300 is disarmed for 10 or 20 seconds (jumper selectable) and the touchbar is enabled to retract the latch bolt without initiating the Audible Alarm Sequence. If door is held open longer than 10 or 20 seconds the MC-4 Door Position Switch will activate the Audible Alarm of the DE9300 device and B400-RMB Remote Buzzer.

**Authorized Entrance:** When a valid card is presented at Exterior Card Reader, the DE9300 is disarmed for 10 or 20 seconds (jumper selectable) and the Exterior YR09LFSC Electric Trim is unlocked and is able to retract the latch bolt without initiating Audible Alarm Sequence. If the door is held open longer than 10 or 20 seconds the MC-4 Door Position Switch will activate Audible Alarm of the DE9300 and B400-RMB Remote Buzzer.

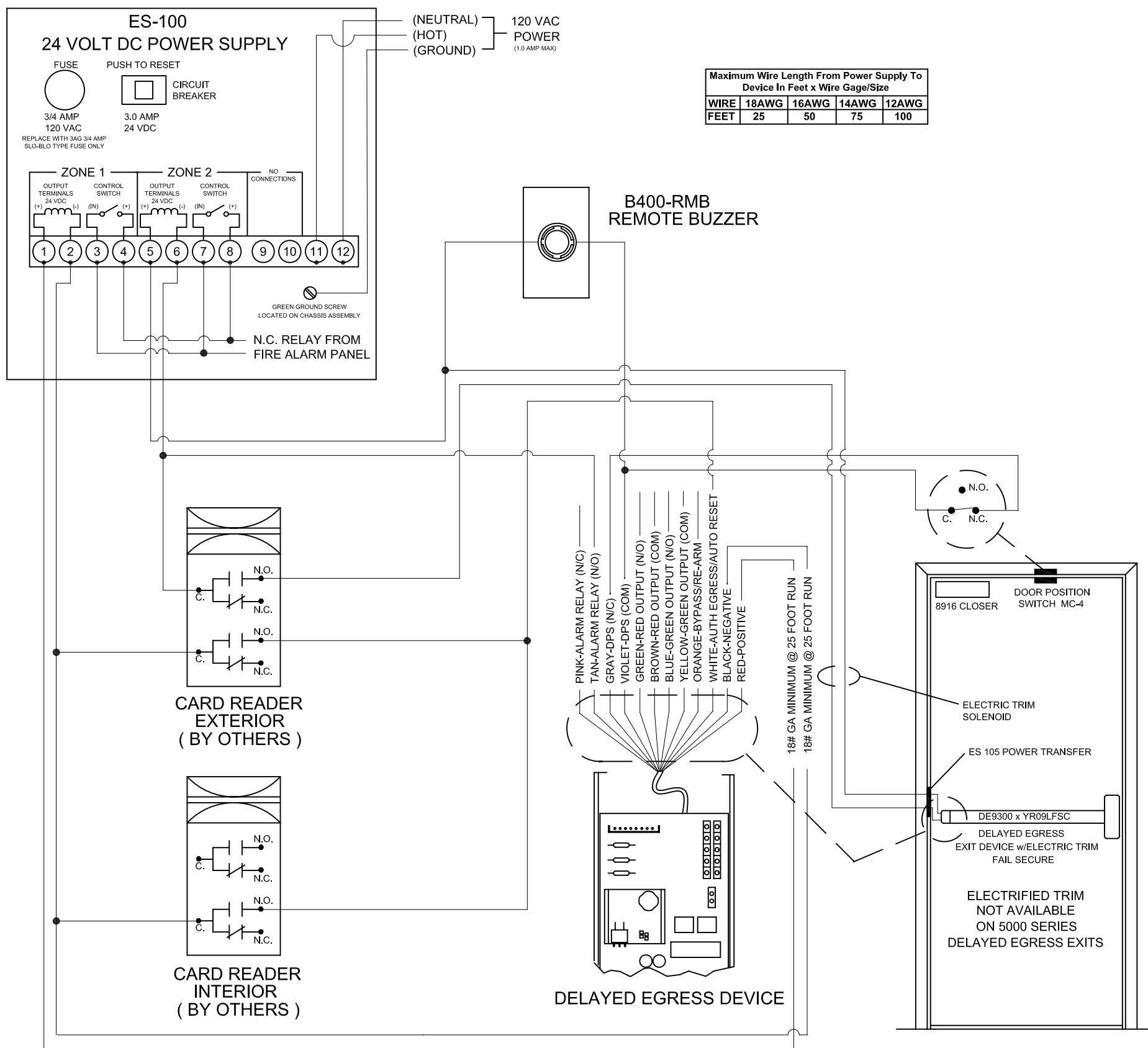
Emergency Entrance is possible with Exterior YR09LFSC Electrified Trim by key over ride however, MC-4 Door Position Switch will initiate Audible Alarm when door is opened.

- NOTES:**
- 1) Exterior Card Reader N.O. relay closure times must be set to allow sufficient time to manually operate unlocked Exterior YR09LFSC Electric Trim and open door. Interior Card Reader N.O. relay closure time should be set for 1 second which initiates the DE9300 Authorized Egress cycle.
  - 2) ES100 Power Supply must be controlled by UL Listed Fire Alarm Panel. During Fire Alarm power is disrupted to DE9000 allowing immediate egress through door.
  - 3) Door is closed automatically by the 8900-series surface mount door closer.

**PARTS LIST:**

- 1 EA. - ES100 Power Supply, 24VDC, 6AMP Surge (.5 sec), 1.3AMP Continuous (DORMA)
- 1 EA. - DE9300 x YR09LFSC Delayed Egress Exit Device, w/Fail Secure Electric Trim, Exit: 24VDC, 5AMP Surge, .5AMP Continuous; Electric Trim: 24VDC, .140AMP (DORMA)
- 1 EA. - MC-4 Door Position Switch, SPDT 30VDC, .25AMP (DORMA)
- 1 EA. - B400-RMB Remote Buzzer 24VDC (DORMA)
- 1 EA. - ES105 Power Transfer Conduit (DORMA)
- 1 EA. - 8916 Series Surface Door Closer (DORMA)
- 2 EA. - Card Readers (BY OTHERS)

NOTE: This wiring diagram is provided to assist in interfacing DORMA Architectural Hardware products into a system as described by the customer. Compatibility of components not supplied by DORMA Architectural Hardware are not guaranteed. However, every effort has been made to provide the system function requested. Component failure resulting from improper wiring is not covered by warranty. Refer to individual device product information sheets and installation instructions for wire gauge sizes and additional information.



**PAIR OF DOORS: DE9100 DELAYED EGRESS EXIT DEVICE w/ ELECTRIC TRIM (FAIL SECURE) x ES100 POWER SUPPLY x B400-RMB REMOTE BUZZER x CARD READER x MC-4 DOOR POSITION SWITCH**



**OPERATION:**

**Armed-Delay Egress Mode:** Release of latch bolts via the either DE9000 touchbar is prevented. If either touchbar is depressed longer than the Nuisance Delay Time (1 or 3 seconds, jumper selectable), an irreversible Audible Alarm Sequence is initiated at the DE9000 and B400-RMB Remote Buzzer. After the Delay Time (15 or 30 seconds), the touchbar is enabled to retract the latch bolts. The audible alarm will sound continuously until door is closed (monitored by the MC-4 Door Position Switch) and Delayed Egress is re-armed locally with touchbar key switch. (See DE9300 Installation Instructions for additional operational information).

**Authorized Egress:** When the touchbar keyswitch is rotated counter-clockwise the DE9300 is disarmed for 10 or 20 seconds (jumper selectable) and the touchbar is enabled to retract the latch bolts without initiating the Audible Alarm Sequence. If door is held open longer than 10 or 20 seconds the MC-4 Door Position Switch will activate the Audible Alarm of the DE9300 device and B400-RMB Remote Buzzer.

**Authorized Entrance:** When a valid card is presented at Exterior Card Reader, Active Leaf DE9300 is disarmed for 10 or 20 seconds (jumper selectable) and the Exterior YR09LFSC Electric Trim is unlocked and is able to retract DE9000 latch bolts without initiating Audible Alarm Sequence. If the door is held open longer than 10 or 20 seconds the MC-4 Door Position Switch will activate Audible Alarm of the Active Leaf DE9300 and B400-RMB Remote Buzzer.

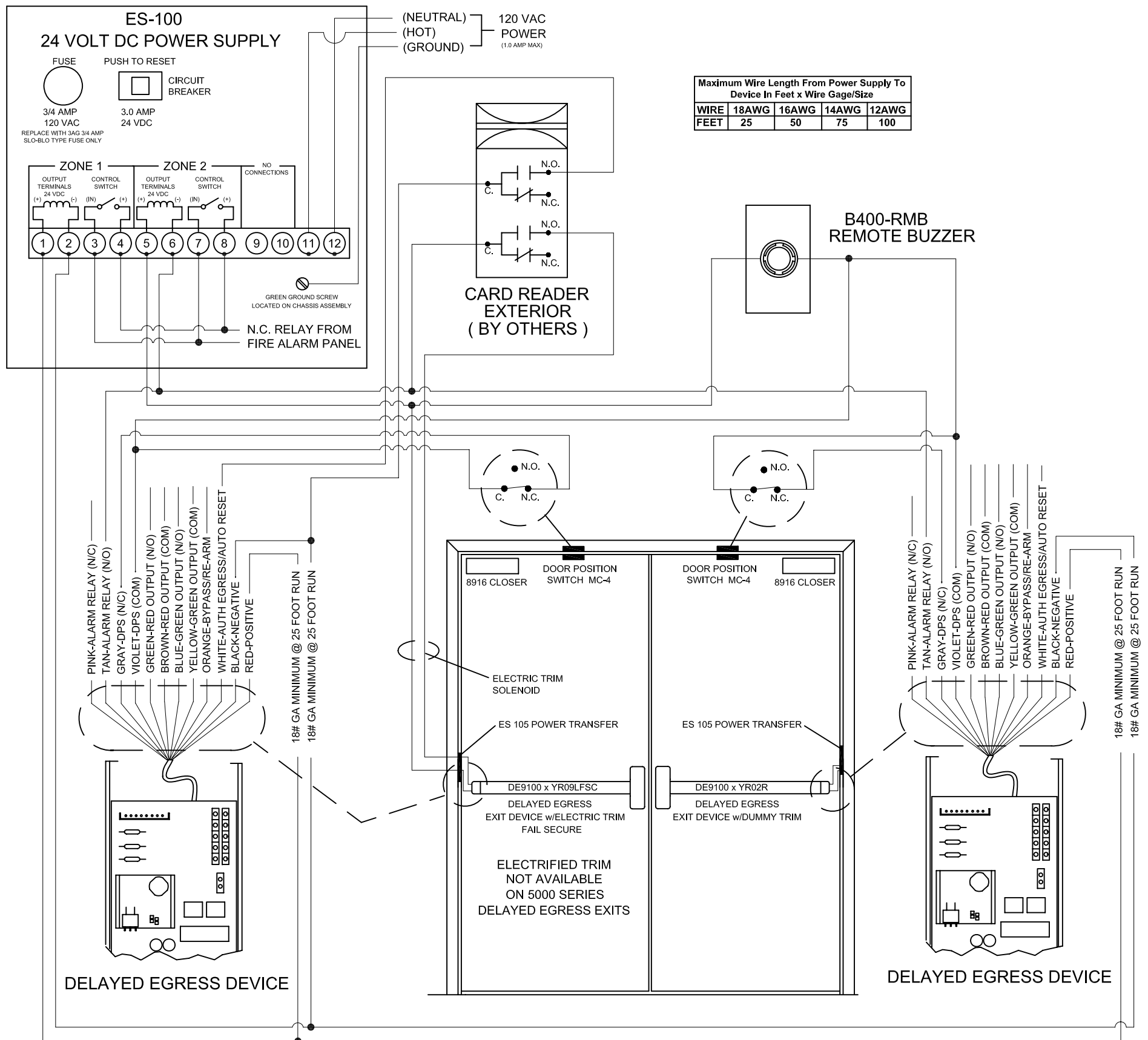
Emergency Entrance is possible with Exterior YR09LFSC Electrified Trim by key over ride however, MC-4 Door Position Switch will initiate Audible Alarm when door is opened.

- NOTES:** 1) Exterior Card Reader N.O. relay closure times must be set to allow sufficient time to manually operate unlocked Exterior YR09LFSC Electric Trim and open door.  
 2) ES100 Power Supply must be controlled by UL Listed Fire Alarm Panel. During Fire Alarm power is disrupted to DE9000 devices allowing immediate egress through door.  
 3) Door is closed automatically by the 8900-series surface mount door closer.

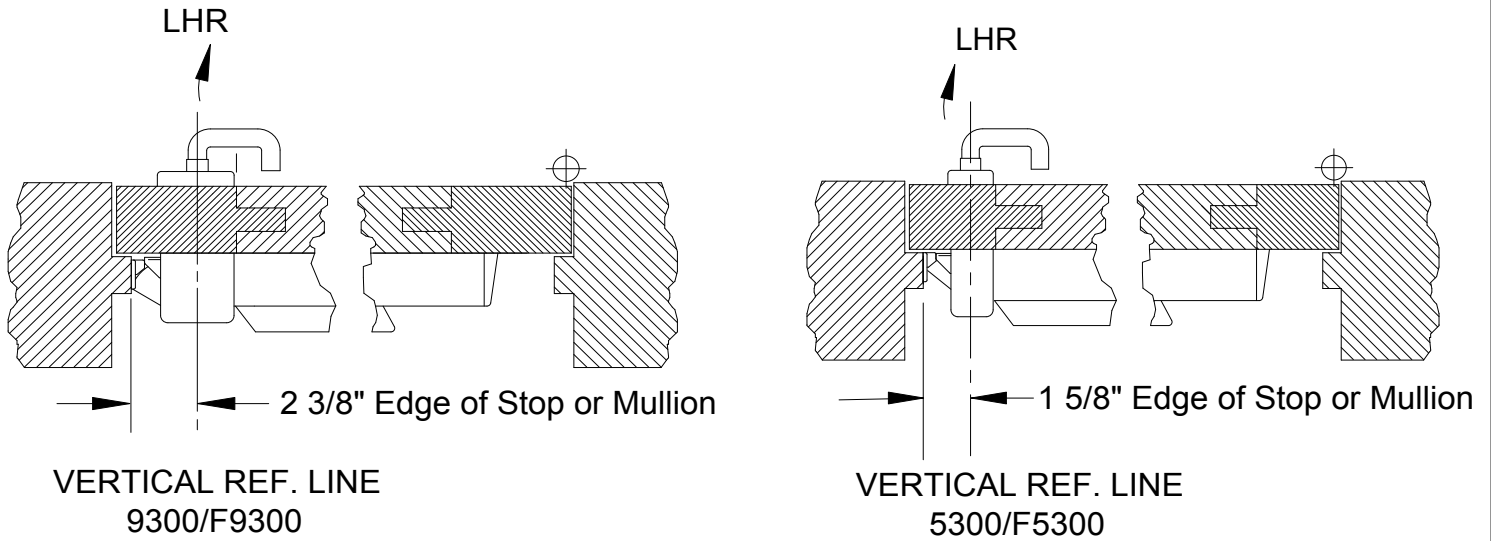
**PARTS LIST:**

- 1 EA. - ES100 Power Supply, 24VDC, 6AMP Surge (.5 sec), 1.3AMP Continuous (DORMA)
- 1 EA. - DE9100 x YR09LFSC Delayed Egress Exit Device, w/Fail Secure Electric Trim, Exit: 24VDC, 5AMP Surge, .5AMP Continuous; Electric Trim: 24VDC, .140AMP (DORMA)
- 1 EA. - DE9100 x YR02R Delayed Egress Exit Device, w/DummyTrim, 24VDC, 5AMP Surge, .5AMP Continuous (DORMA)
- 2 EA. - MC-4 Door Position Switch, SPDT 30VDC, .25AMP (DORMA)
- 1 EA. - B400-RMB Remote Buzzer 24VDC (DORMA)
- 2 EA. - ES105 Power Transfer Conduit (DORMA)
- 2 EA. - 8916 Series Surface Door Closer (DORMA)
- 1 EA. - Card Reader (BY OTHERS)

NOTE: This wiring diagram is provided to assist in interfacing DORMA Architectural Hardware products into a system as described by the customer. Compatibility of components not supplied by DORMA Architectural Hardware are not guaranteed. However, every effort has been made to provide the system function requested. Component failure resulting from improper wiring is not covered by warranty. Refer to individual device product information sheets and installation instructions for wire gauge sizes and additional information.

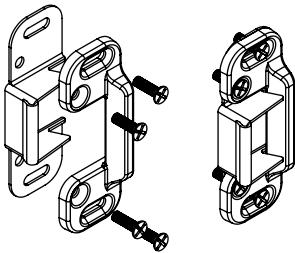


# Latch Guard Installation With #463 Strike

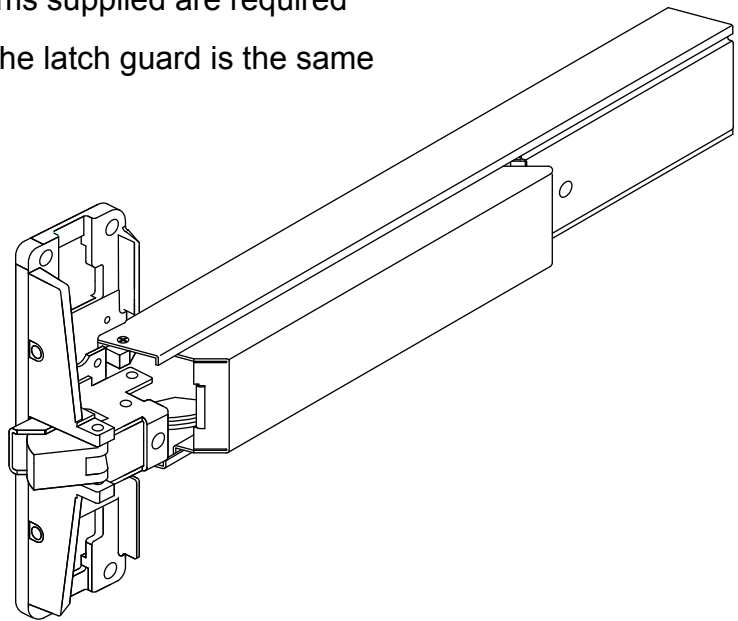


For added security a latch guard is supplied with the delayed egress device. Install the latch guard along with the standard #463 strike as shown below. If (2) shims supplied are required to meet correct reference dimension the latch guard is the same thickness as (1) shim.

Latch Guard



#463 Strike



**NOTE:**

Prior to installing (2) strike securing screws, install chassis cover, ensure bolt fully engages strike, & chassis cover does not hit edge of latch guard as door swings open or closed.