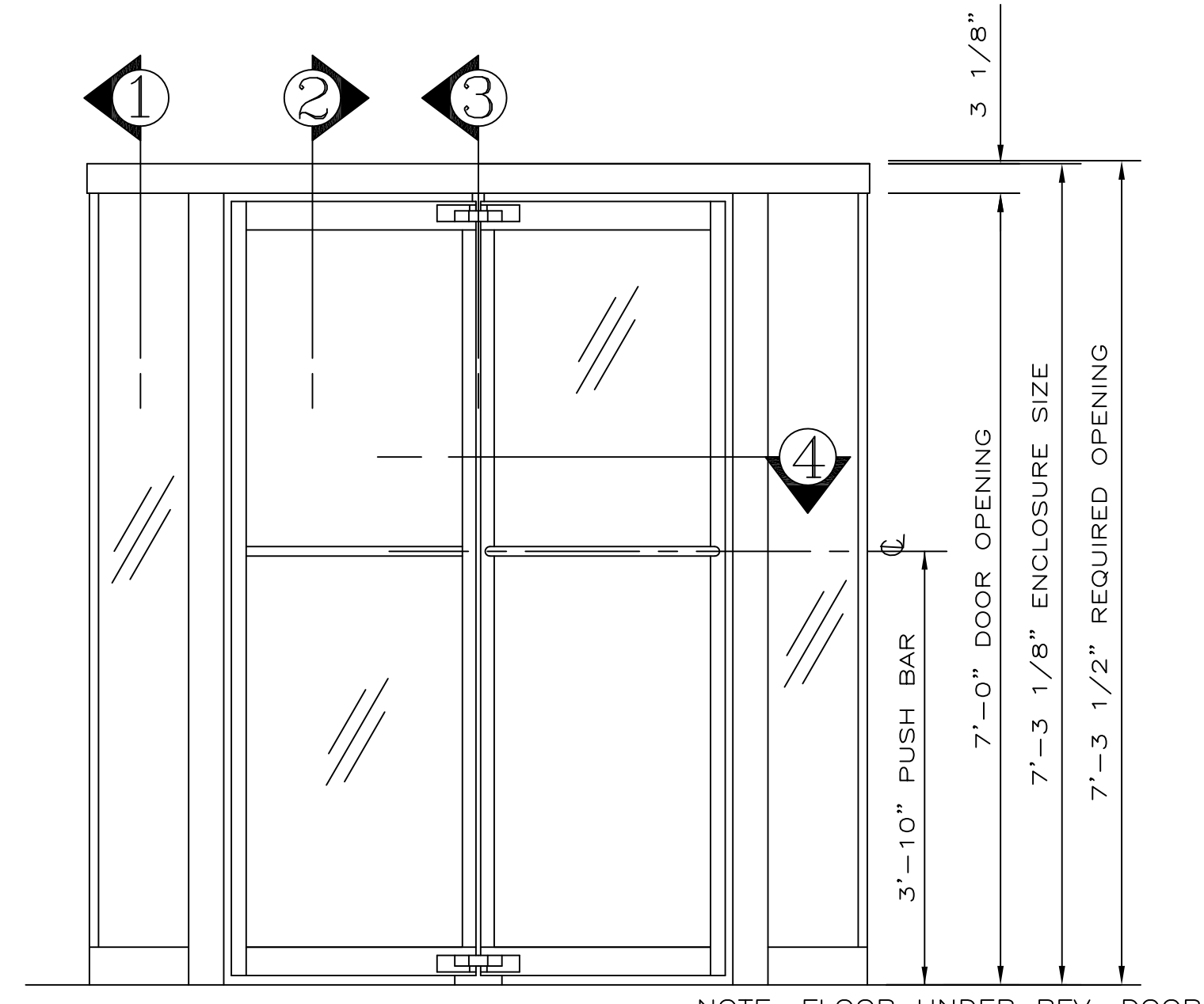
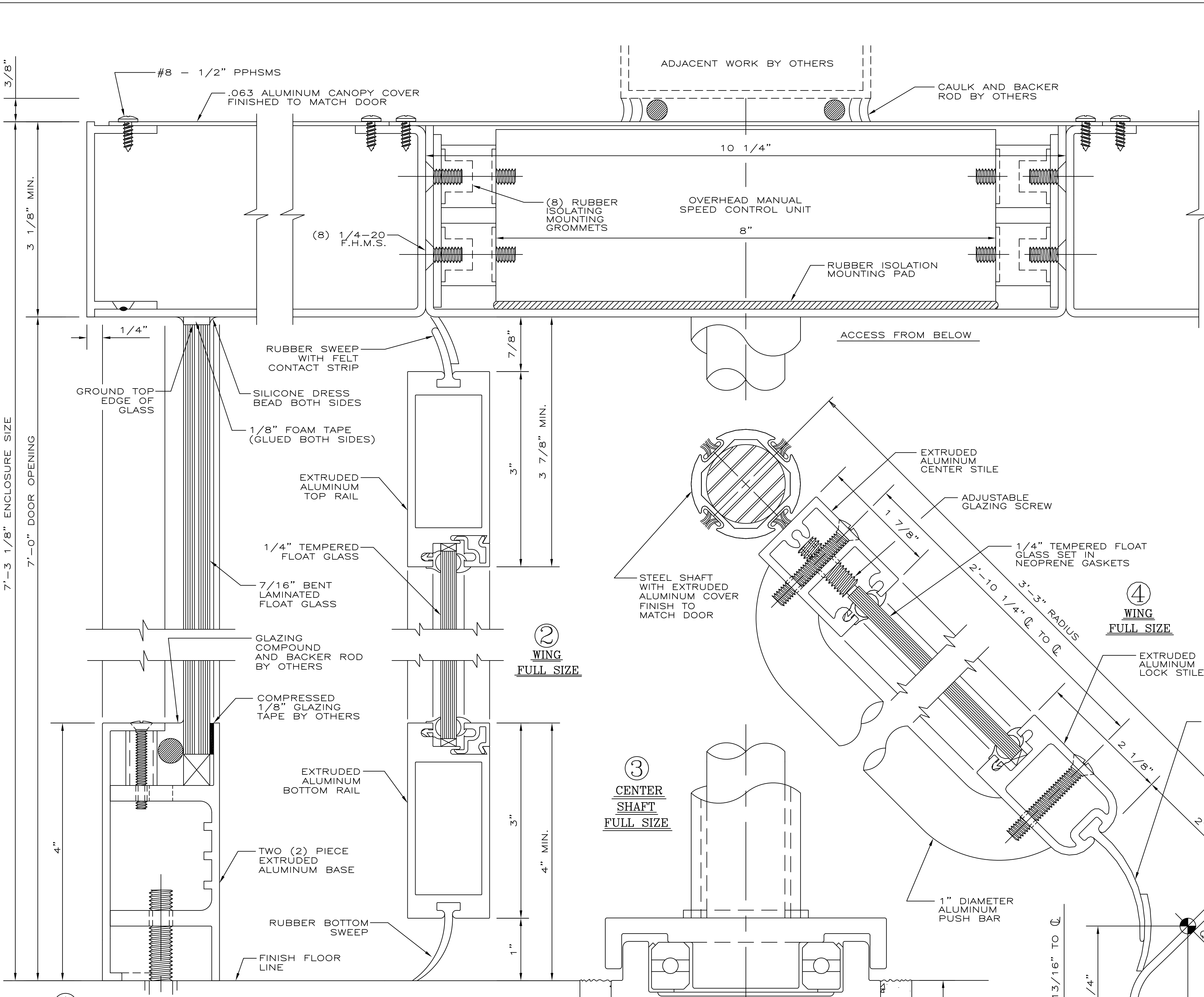


**CANOPY REINFORCING PLAN**  
SCALE: 3/4" = 1'-0"



**ELEVATION**  
ONE (1) DOOR REQUIRED THUS  
SCALE: 3/4" = 1'-0"



**1 ENCLOSURE WALL**  
FULL SIZE

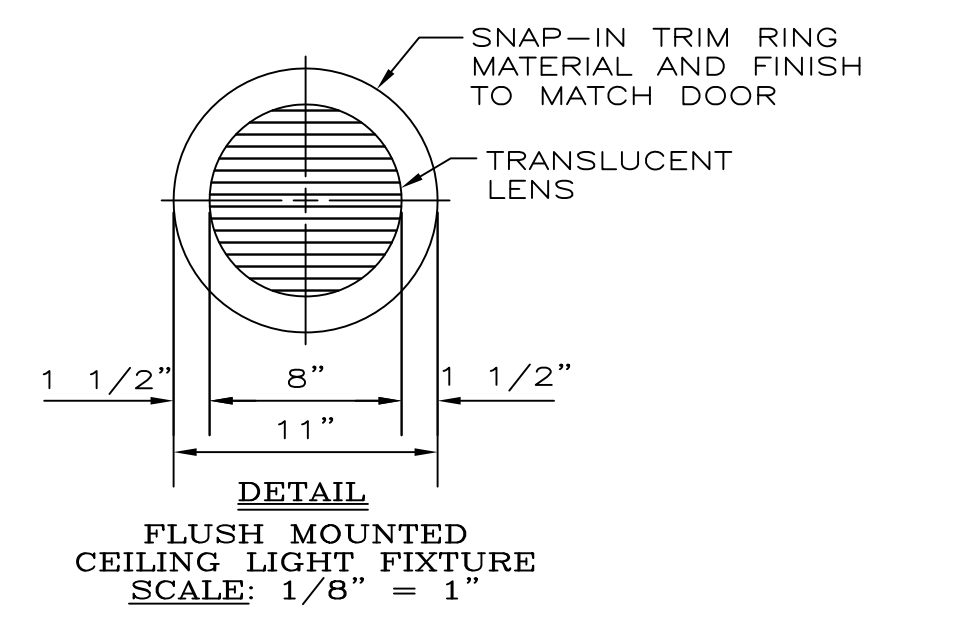
**2 WING**  
FULL SIZE

**3 CENTER SHAFT**  
FULL SIZE

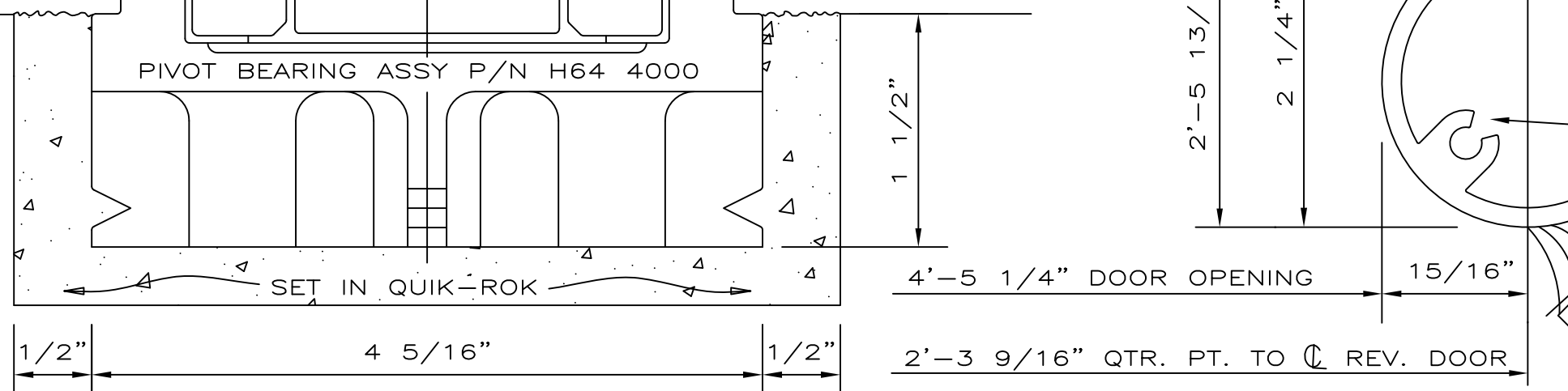
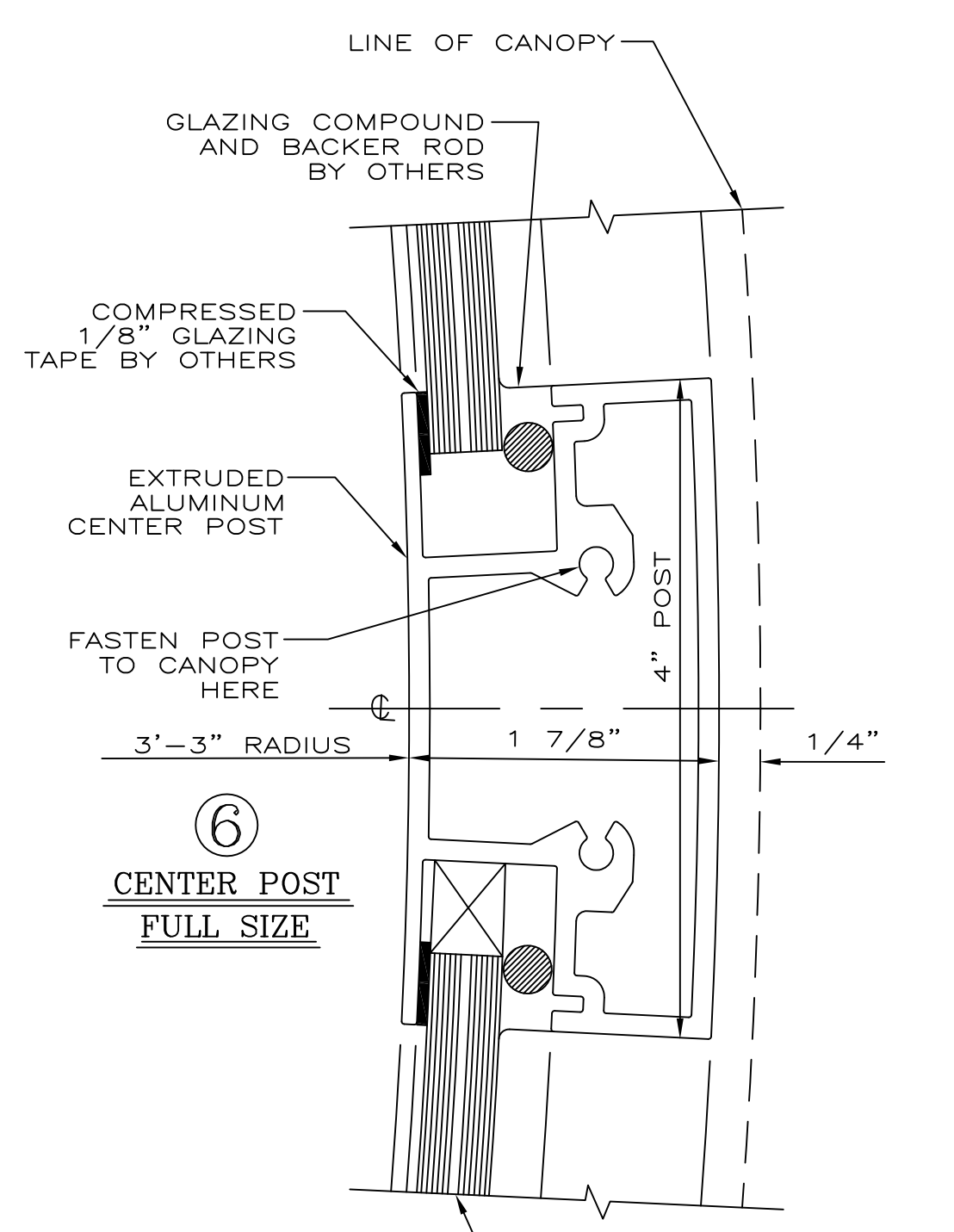
**4 WING**  
FULL SIZE

**6 CENTER POST**  
FULL SIZE

**5 QUARTER POST**  
FULL SIZE



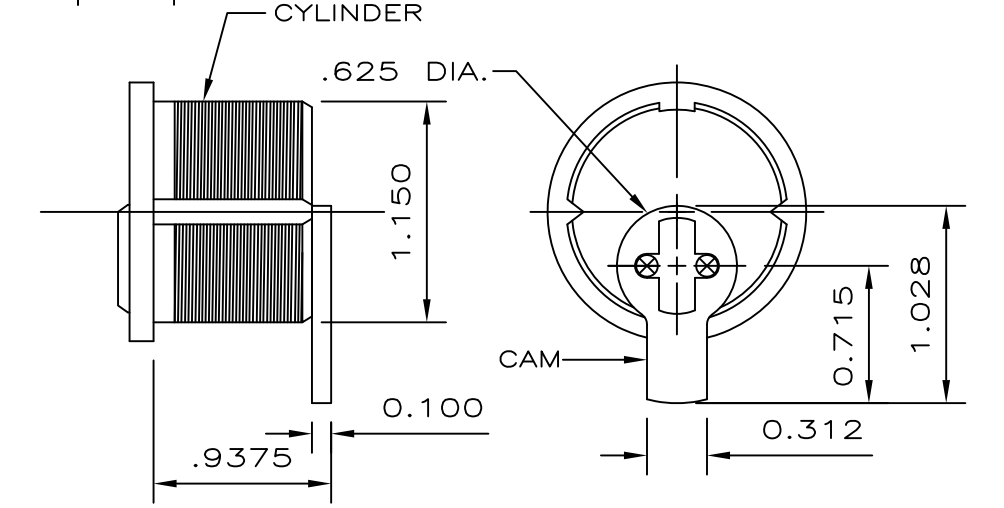
**DETAIL**  
FLUSH MOUNTED  
CEILING LIGHT FIXTURE  
SCALE: 1/8" = 1"



**HARDWARE SCHEDULE**

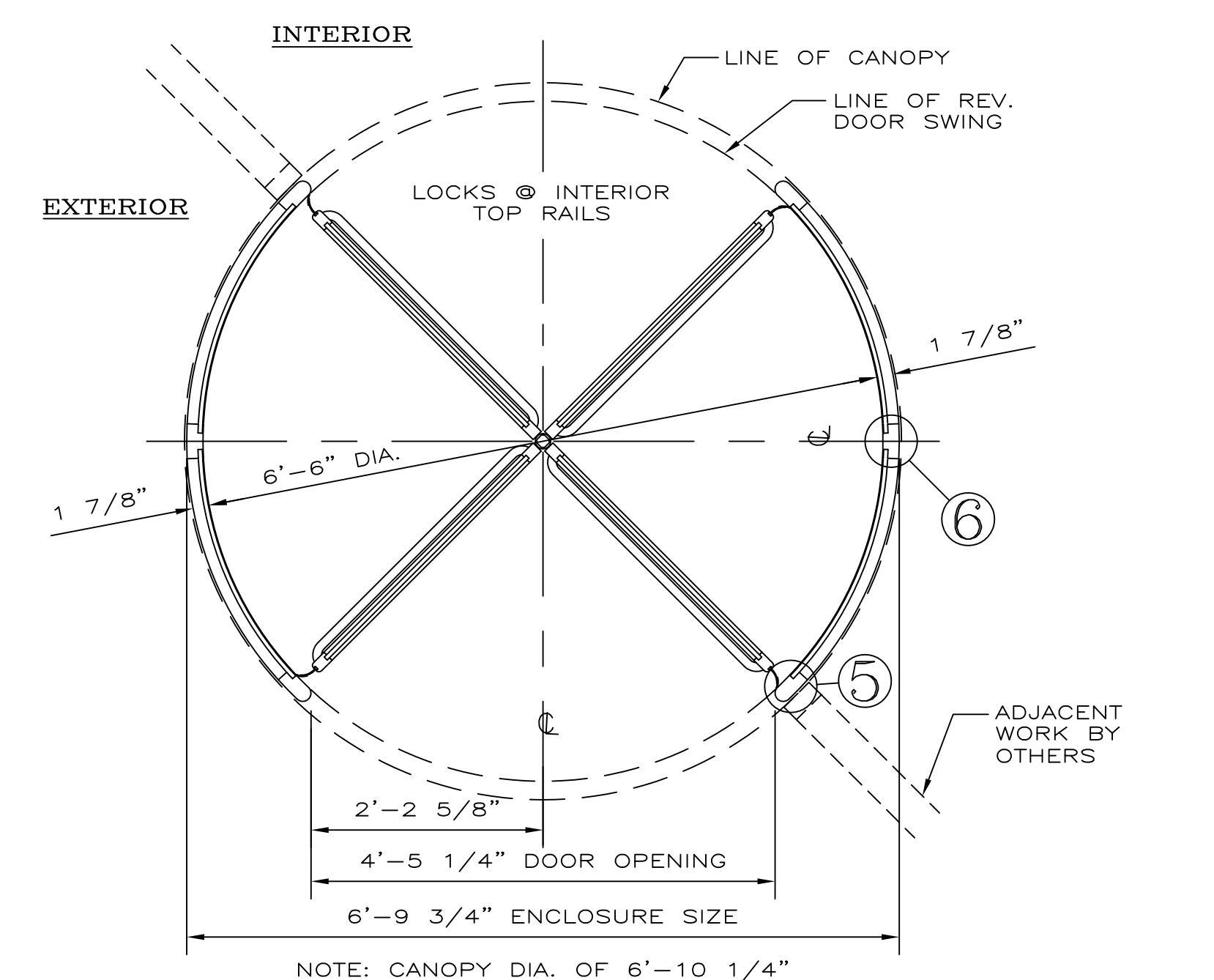
- OVERHEAD MANUAL SPEED CONTROL UNIT.
- FLOOR MOUNTED PIVOT BEARING ASSEMBLY.
- FULVIEW II PANIC PROOF BOOK-FOLD MECHANISM IN COMPLIANCE WITH ALL APPLICABLE REGULATIONS.
- LOCKS: SPECIAL REV. DOOR TYPE TWO (2) REQUIRED INSTALLED AT TOP RAILS OF TWO ADJACENT WINGS FOR INTERIOR LOCKING.
- CYLINDERS: STANDARD SIZE MORTISE TYPE TWO (2) REQUIRED PER REV. DOOR UNIT, TO BE SUPPLIED BY OTHERS TO C.D.C. FOR SHOP INSTALLATION.
- PUSH BARS: 1" DIA. ALUMINUM, FINISH TO MATCH DOOR.
- CEILING LIGHTS: TWO (2) SPECIAL FLUORESCENT REV. DOOR TYPE, COMPLETE WITH LENS & SNAP-IN RING. FCBT9 CIRCLINE LAMP & 110 V.A.C. WIRING NOT BY C.D.C.

**INSTALLER NOTE:**  
BOOK-FOLD TENSION IS NOT PRESET; IT MUST BE ADJUSTED TO MEET BUILDING CONDITIONS.



**TYPICAL CYLINDER AND "STRAIGHT ARM" TYPE CAM REQUIRED SUPPLIED BY OTHERS**  
FULL SIZE

**NOTE: ADAMS-RITE CAM MAY BE SUBSTITUTED**



**PLAN**  
SCALE: 3/4" = 1'-0"

**CONTRACTOR NOTE:**  
CONTRACTOR TO PROVIDE A 5/16" X 2" DEEP CUT OUT TO ACCEPT FLOOR MOUNTED PIVOT BEARING.

**GENERAL NOTES**  
CONTRACTOR SHOULD CHECK & TAKE NOTE OF ALL DIMENSIONS AS C.D.C. (CRANE DOOR CO.) ASSUMES NO RESPONSIBILITY BEYOND MANUFACTURING IN ACCORDANCE WITH THE DIMENSIONS SHOWN ON SHOP DRAWINGS.

APPROVAL INDICATES THAT THIS SHOP DRAWING HAS BEEN CHECKED AND THAT YOU AUTHORIZE US TO FABRICATE MATERIALS AS SHOWN HERE-IN.

REVOLVING DOOR PERIMETER CAULKING (INCLUDING BASE SECTION TO FLOOR) AND CANOPY COVER CAULKING NOT BY C.D.C. ALL HOLES IN FLOOR NOT BY C.D.C.

**MATERIAL TO BE:**  
EXTRUDED ALUMINUM OF 6063-T52 ALLOY, SHEET ALUMINUM OF 5005-H34 AQ ALLOY. (UNLESS OTHERWISE SPECIFIED)

**FINISH TO BE:**  
CLEAR ANODIZED AA-M32-C22-A41

**GLASS TO BE:** CLEAR  
1/4" TEMPERED FLOAT FOR WINGS  
7/16" BENT LAMINATED FLOAT FOR ENCLOSURE  
GLASS TO MEET ANSI Z97.1 AND 16 CFR 1201.  
ALL TEMPERED GLASS TO HAVE SAFETY LOGOS.  
IF ADDITIONAL LOGOS ARE REQUIRED PLEASE SPECIFY.

**NOTE:** PRIOR TO FABRICATION, SHOP DRAWINGS AND FINISH SAMPLES MUST BE FULLY APPROVED AND RETURNED TO C.D.C.

PHONE: 847-295-2700 FAX: 847-295-5288

SCALE: AS SHOWN JOB NAME: XXX

DRAWN BY: JNP REVISIONS: XXX

LOCATION:	PLEASE ADVISE
ARCHITECT:	PLEASE ADVISE
CONTRACTOR:	PLEASE ADVISE
SUB. CONTRACTOR:	PLEASE ADVISE
MFG. REPRESENTATIVE:	PLEASE ADVISE
FAB. CHECK:	HOW CHECK:
CHECKED BY:	NOTES:
ORD. NO.:	X
DATE: 2009	SHEET 1 OF 1 DRAWING NO.: AL 2000 B