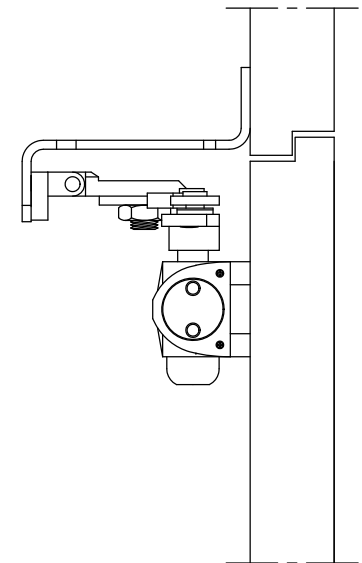
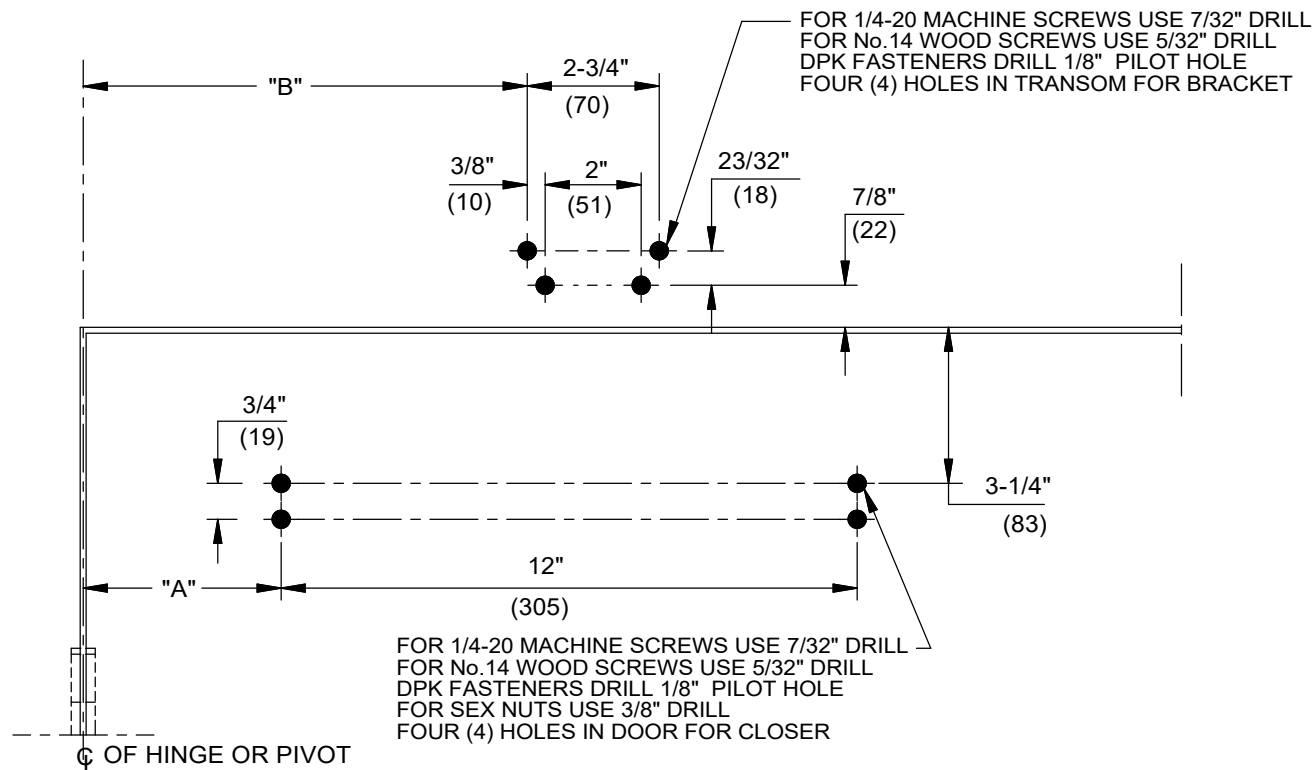


NOTES:

1. DO NOT SCALE DRAWING.
2. DIMENSIONS ARE IN INCHES/(MM).
3. LEFT HAND DOOR SHOWN.
4. CAUTION: SEX NUTS ARE REQUIRED FOR ATTACHMENT OF COMPONENTS TO UNREINFORCED DOORS AND TO WOOD OR PLASTIC FACED COMPOSITE TYPE FIRE DOORS, UNLESS AN ALTERNATIVE METHOD IS IDENTIFIED IN THE INDIVIDUAL DOOR MANUFACTURER'S LISTINGS.
5. MAX. OPENING IS 180°.
6. OPTIONAL DPK FASTENERS (DPK86) FOR STEEL DOOR & FRAME ONLY.

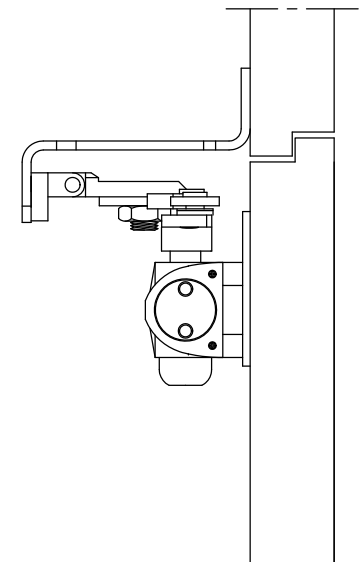
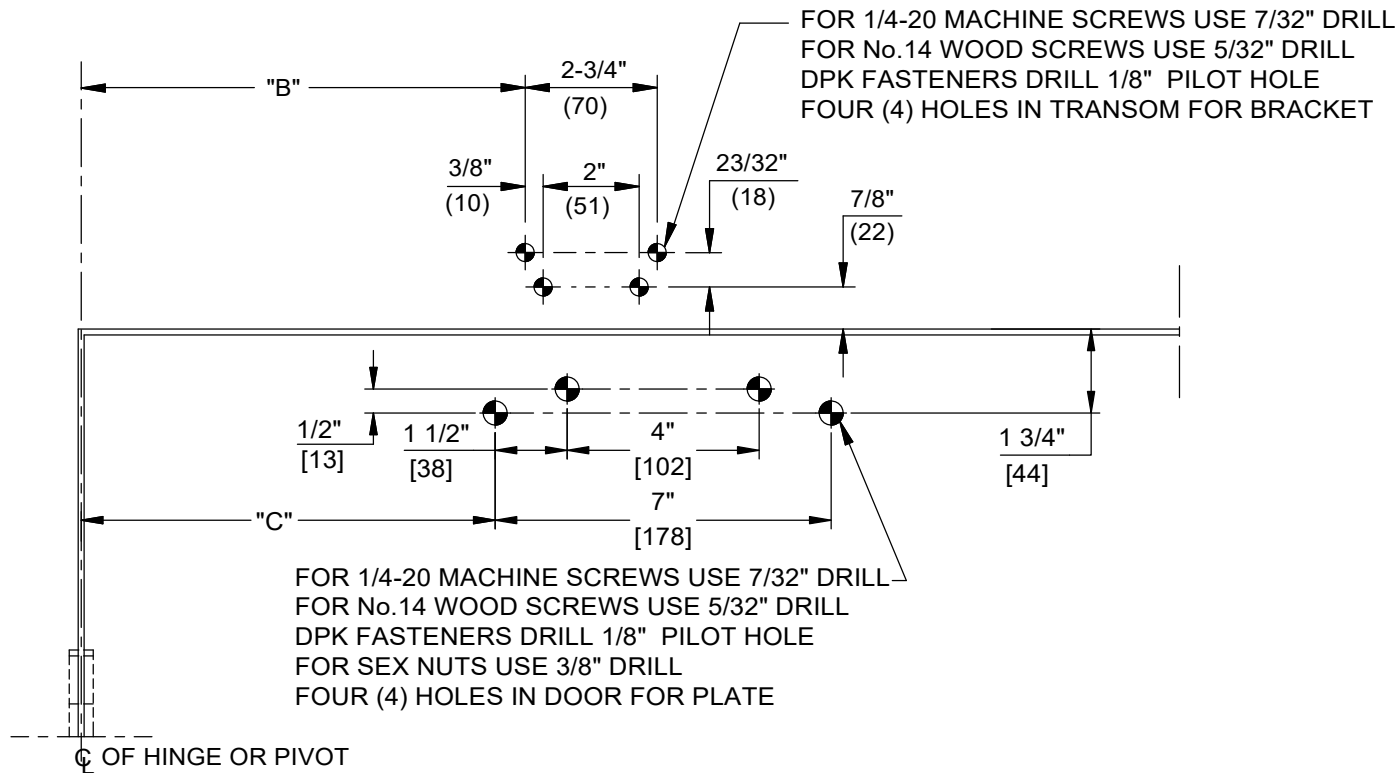
ANGLE OF OPENING	DIM. "A" CLOSER	DIM. "B" TRANSOM BRACKET	HOLD OPEN RANGE
TO 100°	4-1/8 (105)	9-1/4 (235)	60°-105°
OVER 100°	1-5/8 (41)	6-3/4 (171)	70°-170°



NOTES:

1. DO NOT SCALE DRAWING.
2. DIMENSIONS ARE IN INCHES/(MM).
3. LEFT HAND DOOR SHOWN.
4. CAUTION: SEX NUTS ARE REQUIRED FOR ATTACHMENT OF COMPONENTS TO UNREINFORCED DOORS AND TO WOOD OR PLASTIC FACED COMPOSITE TYPE FIRE DOORS, UNLESS AN ALTERNATIVE METHOD IS IDENTIFIED IN THE INDIVIDUAL DOOR MANUFACTURER'S LISTINGS.
5. MAX. OPENING IS 180°.
6. OPTIONAL DPK FASTENERS (DPK86) FOR STEEL DOOR & FRAME ONLY.

ANGLE OF OPENING	DIM. "B" TRANSOM BRACKET	DIM. "C" PLATE	HOLD OPEN RANGE
TO 100°	9-1/4 (235)	8-5/8 (219)	60°-105°
OVER 100°	6-3/4 (171)	6-1/8 (155)	70°-170°



DOOR CLOSER MODELS: 8616 FH x PFT  
 PARALLEL ARM FLUSH TRANSOM INSTALLATION (PUSH SIDE MOUNT)  
 WITH PLATES DP86, DP86FC