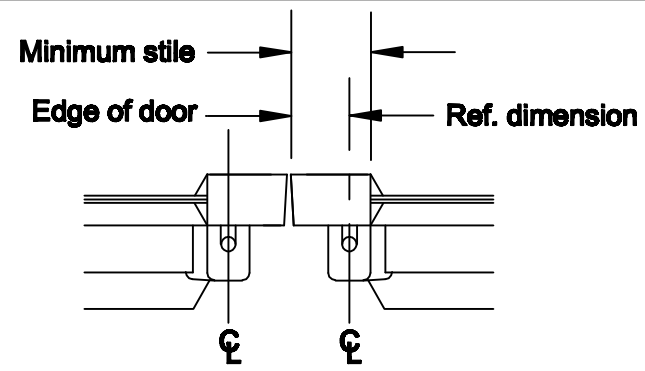
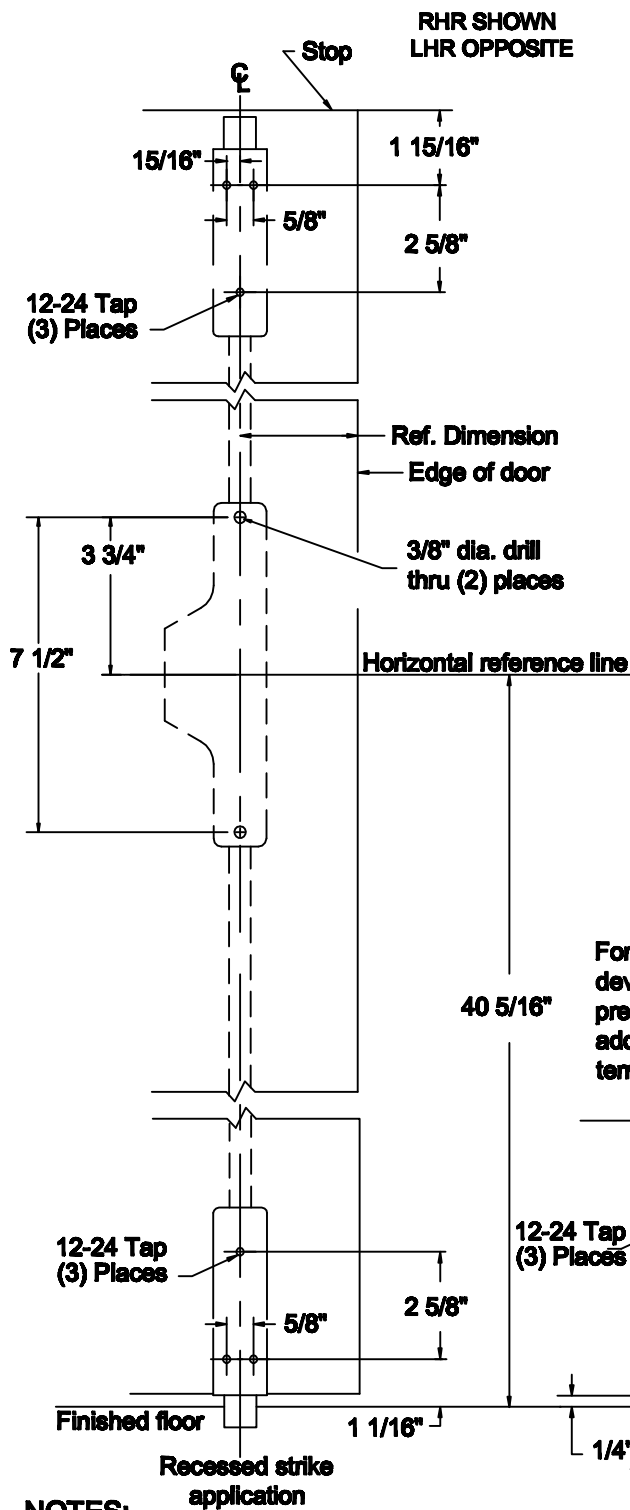


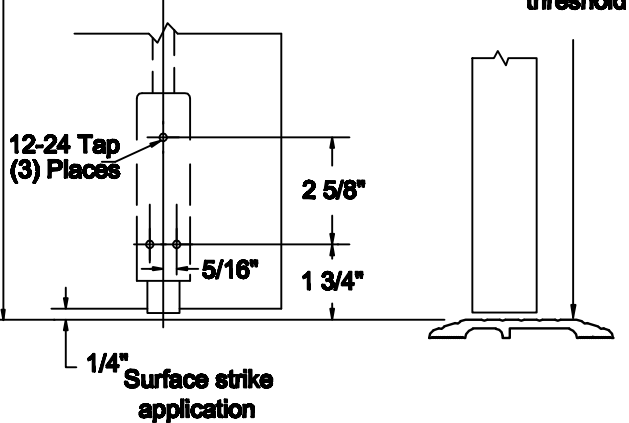
RHR SHOWN  
LHR OPPOSITE



	Ref. dim.	Min. stile
Single door 1/2" stop	1 3/8"	2 3/16"
Pairs and double egress	1 1/4"	2 1/8"
Paired with 9700 rim	1 5/8"	2 1/2"



For less bottom rod (LBR) devices, delete bottom latch prep. On fire rated devices additional "Popper" req. see template T-4012.



**NOTES:**

1. SEE MASTER SHEET #T-0001 FOR SUGGESTED DOOR REINFORCEMENT.
2. SEE ADDITIONAL TRIM TEMPLATE WHEN REQUIRED.
3. FOR LBR (LESS BOTTOM ROD) DEVICE, DELETE BOTTOM LATCH PREP.

REV. No. 0

REVISION:

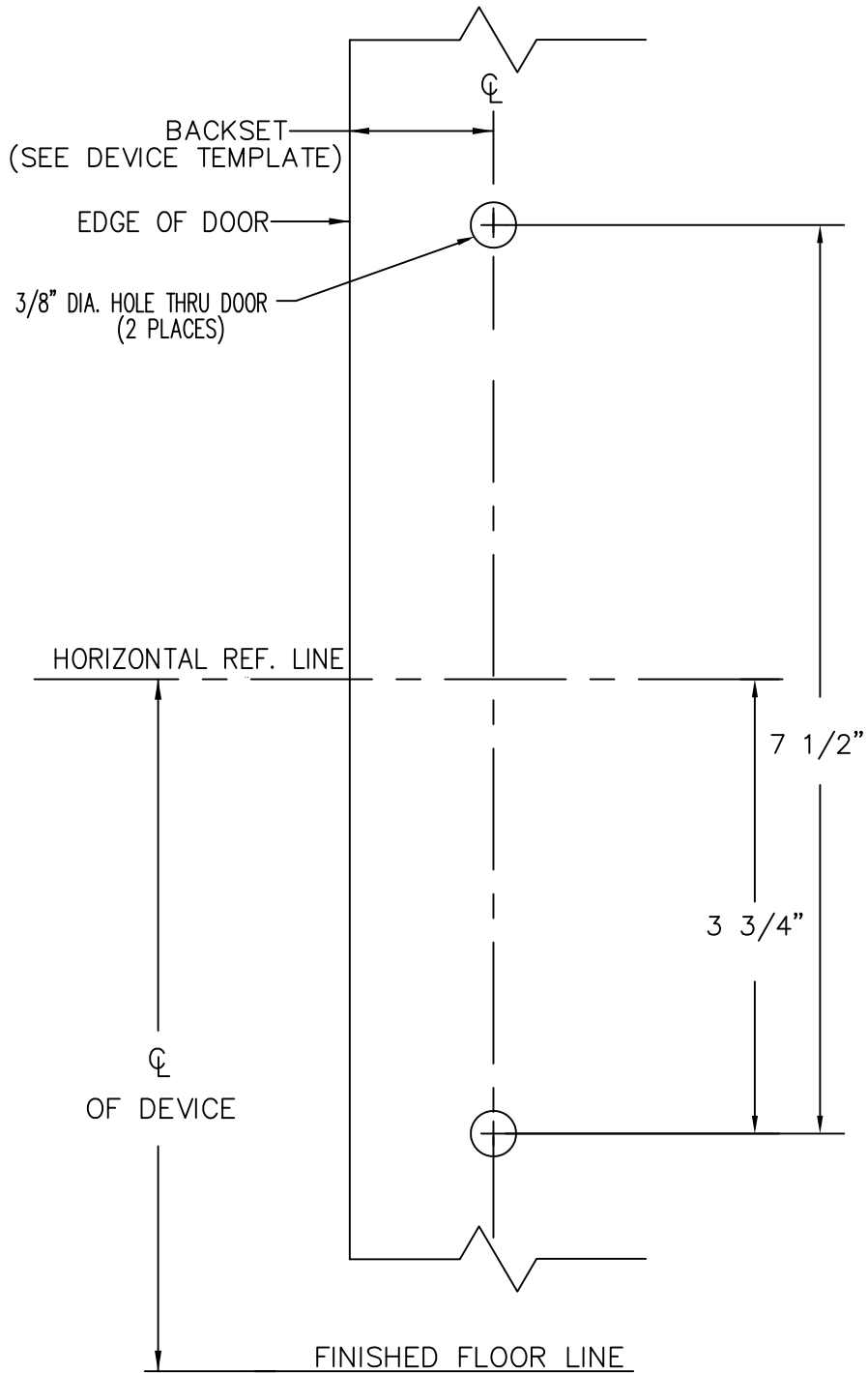
DATE: 2-12-2010



9800 & F9800 x 02 TRIMS  
VERTICAL ROD TYPE EXIT DEVICE

TEMPLATE NUMBER  
T-9802 ©

RHR SHOWN  
LHR OPPOSITE



NOTES:

1. SEE MASTER SHEET #T-0001 FOR SUGGESTED DOOR REINFORCEMENT.

REV. No. 1

REVISION: Lever Style Notes

DATE: 1-22-2014



OP02, ZP02, ZODT  
Z\*02R Trim

Note; \* Denotes all Lever Design Styles

TEMPLATE NUMBER  
T-9031 ①