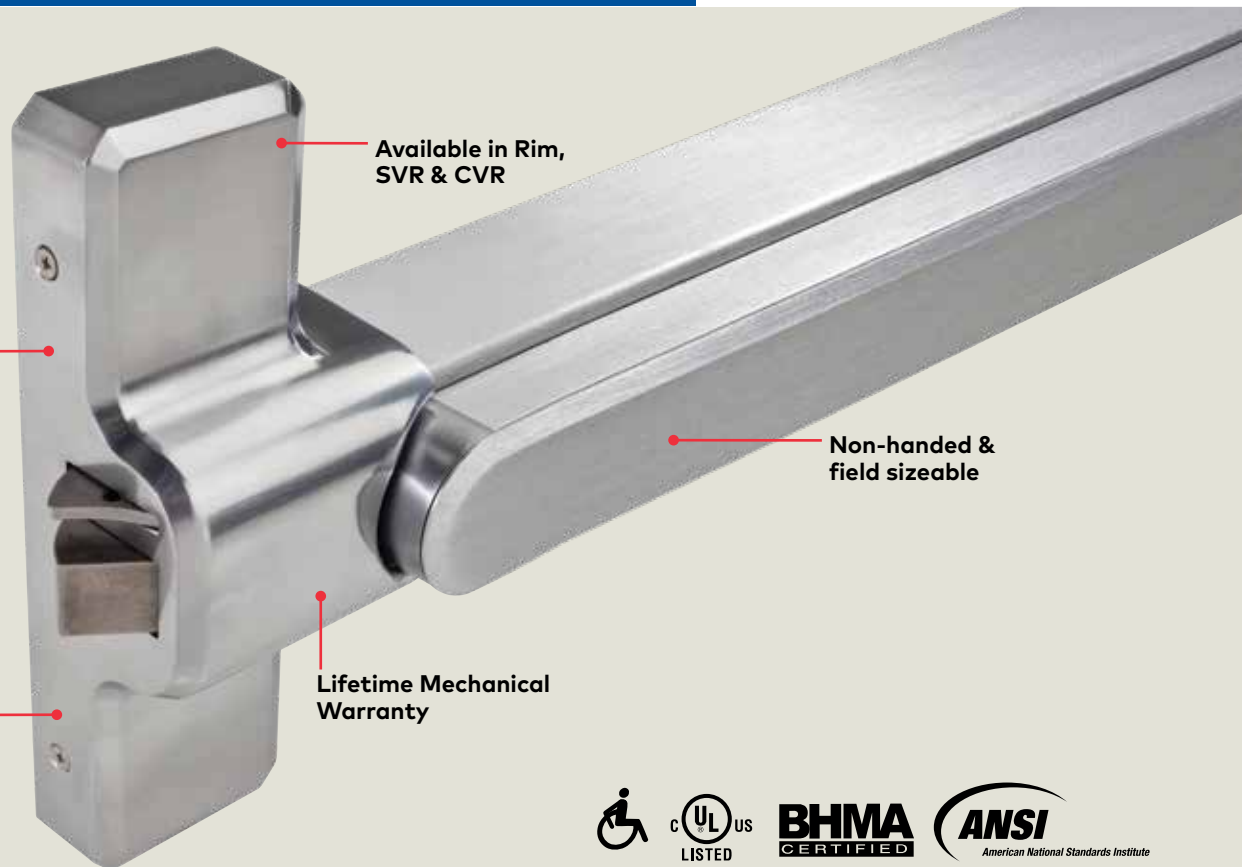


QED100 Exit device FAQ



QED100 Exit device



Available in Rim,
SVR & CVR

BHMA/ANSI
Grade 1 Certified

Non-handed &
field sizeable

Consistent styling
with portfolio

Lifetime Mechanical
Warranty



QED100 Exit trims – QED100 Lever, pull and flat plate exit trims available



QED160E626



QED160M626



QED167L626



QED190L626

What is the QED100?

The QED100 is a heavy-duty grade 1 wide stile exit device. QED100 trim, finish and configuration options ensure compatibility with other dormakaba Commercial Hardware products.

Who is the QED100 customer?

The QED100 is a cost-effective option for non-institutional applications such as retail, hospitality, multi-family and commercial office spaces.

What device types is the QED100 offered in?

The QED100 is available in Rim, Surface Vertical Rod (SVR) and Concealed Vertical Rod (CVR) types. The SVR type comes with aesthetically-pleasing covers that prevent tampering and pinching. The QED100 Rim type is available in 3 different options (i.e., Hex Dog, Cylinder Dog, Fire-Rated). The QED100 SVR and CVR are available in 6 different options which feature the 3 functions listed above as well as each of these functions with a Less Bottom Rod option.

Are mullions available to order for QED100 double door rim applications?

The QRM100 Series mullions are available to order for these application types. The QRM100 Series includes keyed and non-keyed removable mullions that are pre-prepped for QED100 Series exit devices. Hurricane compliant mullions are also available to order.

Are there electrified options available for the QED100?

There are 5 electrified options available to order on the QED100 which include Motorized Latch Retraction, Electrified Dogging, Request to Exit, motorized Latch Retraction device with a Request to Exit switch, and Electrified Dogging device with a Request to Exit switch.

What door thickness range can the QED100 accommodate?

The QED100 is standard to fit 1 ¾" thick doors but it can accommodate doors up to 2 ¾" thick with the use of a thick door kit

What door height range can the QED100 accommodate?

The QED100 SVR and CVR are available to order for 7' and 8' doors.

What door width range can the QED100 accommodate?

The QED100 can accommodate 32" – 48" wide doors. The 36" device is field sizeable to fit 32" – 36" wide doors while the 48" device is field sizeable to fit 36" – 48" wide doors.

What exit trims are available to order for the QED100?

The QET100 series exit trims are available for the QED100 series exit devices. There are 10 QET100 exit trim offerings that include 5 lever trims, 4 pull trims and 1 flat plate. Lever trims are available in the following functions: Dummy Lever Escutcheon (QET120), Passage Lever Escutcheon (QET130), Keyed Lever Escutcheon (QET160), Night Latch Lever Escutcheon ANSI 03 (QET170) and Night Latch Lever Escutcheon ANSI 09 (QET180). Pull trim options include: Dummy Pull Plate (QET125), Thumbpiece (QET165), Dummy Thumbpiece (QET167) and Night Latch Pull (QET175). A Flat Plate (QET190) is also available.

What is the difference between the QET170 and QET180 night latch escutcheon?

The QET170 is an ANSI 03 night latch function where the lever is always locked and the key is used to retract the latch. The QET180 is an ANSI 09 night latch function where the lever is locked and the key is used to unlock the lever. The lever is then used to retract the latch. The key can only be removed when the lever is locked.

When should the QET170 be used as opposed to the QET180?

The QET170 is not recommended for use on QED100 vertical rod devices because the key torque may not be enough to retract the latch. As an alternative solution, we recommend using the QET180 for vertical rod devices as the lever is used to retract the latch.

What lever styles are offered for the QET100?

The QET100 has 3 lever styles (Sierra, Summit and State).

Do you have to specify handing when ordering a QED100 or QET100?

The QED100 exit device is non-handed, so you can simply flip it around to fit the specific application. The QET100 exit trim is shipped non-handed, so the handing can be configured at the point of installation to fit the respective application.

What keyways are available to order on the QED100 & QET100?

The QED100 and QET100 are available to order with the following keyways: BEST "F" SFIC, Kwikset "KW", Weiser "E", Schlage "C", Yale "GA" and Sargent "LA".

What finishes are offered for the QED100 & QET100?

The QED100 is available in 3 finishes: 605, 313AN and 626. The QET100 is available in 4 finishes: 605, 613, 626 and 690.

What is the lead time for a QED100 & QET100?

The average lead time for a QED100 & QET100 is less than 2 weeks.

What warranty does the QED100 & QET100 have?

The QED100 & QET100 has a limited lifetime mechanical warranty, 3 year finish warranty and a 1 year electrical warranty. The QED100 313AN finish and the QET100 613 finish are not covered.

dormakaba USA Inc.
6161 E. 75th St.
Indianapolis, IN 46250
800.523.8483

dormakaba Canada Inc.
7301 Decarie Blvd
Montreal, Quebec H4P 2G7
877 468-3555

www.dormakaba.us